



US00D935435S

(12) **United States Design Patent** (10) **Patent No.:** **US D935,435 S**  
**Cai** (45) **Date of Patent:** **\*\* Nov. 9, 2021**

(54) **EARPHONE**  
(71) Applicant: **Ruibo Cai**, Guangdong (CN)  
(72) Inventor: **Ruibo Cai**, Guangdong (CN)  
(\*\*) Term: **15 Years**  
(21) Appl. No.: **29/773,554**  
(22) Filed: **Mar. 10, 2021**  
(51) **LOC (13) Cl.** ..... **14-01**  
(52) **U.S. Cl.**  
USPC ..... **D14/205**  
(58) **Field of Classification Search**  
USPC ..... D14/205, 223, 218; D24/174; D13/144,  
D13/133, 168; 181/130, 135; 381/380,  
381/381, 384; 128/864, 865, 866;  
439/669, 460, 787; 455/90.3, 575.1,  
455/569.1  
CPC ..... H04R 1/10; H04R 25/00; H04R 25/02;  
H04R 1/1016; H04R 1/1066; H04R  
5/033; H04R 5/0335; H04R 1/1033;  
H04R 1/1041; H04R 1/1091  
See application file for complete search history.

D330,522 S \* 10/1992 Mokhtarian ..... D10/104.1  
D354,751 S \* 1/1995 Hersh ..... D14/218  
D356,293 S \* 3/1995 Riley ..... D13/133  
5,481,251 A \* 1/1996 Buys ..... H03J 1/0025  
340/12.22  
6,126,456 A \* 10/2000 Campbell ..... B23K 1/0008  
439/74  
D434,012 S \* 11/2000 Krieser, Sr. .... D13/168  
6,406,313 B1 \* 6/2002 Victor ..... H01R 27/00  
439/175  
D464,952 S \* 10/2002 Beraut ..... D14/225  
D473,217 S \* 4/2003 Rivera ..... D14/223  
7,139,590 B2 \* 11/2006 Liu ..... H04M 1/6058  
455/557

(Continued)

**FOREIGN PATENT DOCUMENTS**

CN 303605078 \* 3/2016  
CN 305426999 \* 11/2019

(Continued)

*Primary Examiner* — Paula Allen Greene  
(74) *Attorney, Agent, or Firm* — ScienBiziP, P.C.

(57) **CLAIM**

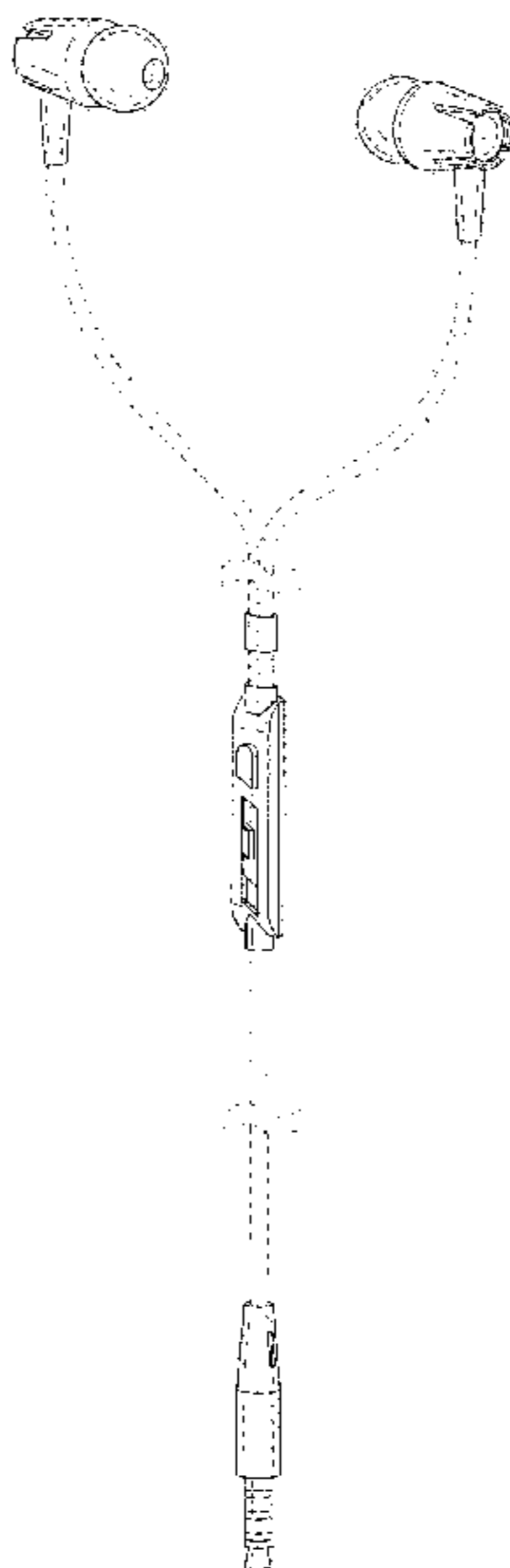
The ornamental design for an earphone, as shown and described.

**DESCRIPTION**

FIG. 1 is a front, right, and top perspective view of an earphone, showing my design.  
FIG. 2 is a front elevation view thereof.  
FIG. 3 is a rear elevation view thereof.  
FIG. 4 is a left side elevation view thereof.  
FIG. 5 is a right side elevation view thereof.  
FIG. 6 is a top plan view thereof; and,  
FIG. 7 is a bottom plan view thereof.  
The broken lines shown in the drawings are included for the purpose of illustrating portions of the earphone that form no part of the claimed design.

**1 Claim, 7 Drawing Sheets**

(56) **References Cited**  
**U.S. PATENT DOCUMENTS**  
1,781,958 A \* 11/1930 Schellenger ..... H01R 24/58  
439/669  
D276,421 S \* 11/1984 Shaw ..... D12/174  
D280,896 S \* 10/1985 Campbell ..... D14/155  
4,647,135 A \* 3/1987 Reinhardt ..... H01R 24/58  
439/460  
D290,356 S \* 6/1987 Fisher ..... D14/191  
D303,638 S \* 9/1989 Andrews, Sr. .... D10/106.1  
D306,853 S \* 3/1990 Mayo ..... D13/165  
D313,790 S \* 1/1991 Hirabayashi ..... D13/133  
D316,847 S \* 5/1991 Rowen ..... D13/168  
D317,593 S \* 6/1991 Rowen ..... D13/168  
D328,280 S \* 7/1992 Lee ..... D13/133



(56)

References Cited

U.S. PATENT DOCUMENTS

D534,150 S \* 12/2006 Griffin ..... D14/155  
 D572,703 S \* 7/2008 Ledbetter ..... D14/205  
 D572,706 S \* 7/2008 Schaefer ..... D14/223  
 D576,154 S \* 9/2008 Ledbetter ..... D14/223  
 D578,507 S \* 10/2008 Ando ..... D14/205  
 D584,695 S \* 1/2009 Hilsbos ..... D13/168  
 D587,678 S \* 3/2009 Yuyama ..... D14/205  
 D587,681 S \* 3/2009 Yanai ..... D14/205  
 D602,919 S \* 10/2009 Bodley ..... D14/225  
 D604,252 S \* 11/2009 Yudate ..... D13/154  
 D606,980 S \* 12/2009 Bradford ..... D14/218  
 D607,875 S \* 1/2010 Pedersen, II ..... H04R 1/1033  
 D609,221 S \* 2/2010 Kim ..... D14/218  
 D614,604 S \* 4/2010 Hoehn ..... D14/218  
 D623,171 S \* 9/2010 Chen ..... D14/223  
 D624,902 S \* 10/2010 Kolton ..... D14/205  
 D625,294 S \* 10/2010 Wada ..... D14/218  
 D645,022 S \* 9/2011 Lee ..... D14/205  
 D647,081 S \* 10/2011 Kwon ..... D14/223  
 D651,589 S \* 1/2012 Fischer ..... D14/218  
 D658,157 S \* 4/2012 McManigal ..... D14/205  
 D660,290 S \* 5/2012 Weedon ..... D14/223  
 D681,001 S \* 4/2013 Murchison ..... D14/205  
 8,456,864 B2 \* 6/2013 Stiehl ..... H01H 9/02  
 361/832  
 8,743,533 B2 \* 6/2014 Stanley ..... H01H 9/0228  
 361/679.01  
 D716,268 S \* 10/2014 Yamamoto ..... D14/218  
 D718,273 S \* 11/2014 Harata ..... D14/205  
 D718,745 S \* 12/2014 Thompson ..... D14/223  
 D719,548 S \* 12/2014 Thompson ..... D14/223  
 D719,935 S \* 12/2014 Diamond ..... D14/218  
 D725,625 S \* 3/2015 Hsieh ..... D14/205  
 D726,145 S \* 4/2015 Hsieh ..... D14/205  
 D737,251 S \* 8/2015 Thompson ..... D14/223  
 D738,863 S \* 9/2015 Laffon de Mazieres .... D14/223  
 D758,353 S \* 6/2016 Akana ..... D14/218  
 D773,435 S \* 12/2016 Ott ..... D14/205  
 D777,138 S \* 1/2017 Fletcher ..... D14/205  
 D780,155 S \* 2/2017 Levine ..... D14/205  
 D782,998 S \* 4/2017 Shin ..... D14/205  
 D783,571 S \* 4/2017 Mizrahi ..... D14/205  
 D784,962 S \* 4/2017 Yang ..... D14/223  
 D785,594 S \* 5/2017 Zaihui ..... D14/205  
 D793,995 S \* 8/2017 Nakagawa ..... D14/218  
 D800,097 S \* 10/2017 Chen ..... D14/223  
 D803,185 S \* 11/2017 Loh Jun Kern ..... D14/205  
 D811,363 S \* 2/2018 He ..... D14/205  
 D812,038 S \* 3/2018 Nakajima ..... D14/205

D816,059 S \* 4/2018 Liu ..... D14/205  
 D820,810 S \* 6/2018 Levine ..... D14/205  
 D821,999 S \* 7/2018 Guo ..... D14/205  
 D840,954 S \* 2/2019 Wu ..... D13/168  
 D845,926 S \* 4/2019 Aoyagi ..... D14/205  
 D847,122 S \* 4/2019 Messadek ..... D14/217  
 D881,838 S \* 4/2020 Aoyagi ..... D14/205  
 D885,344 S \* 5/2020 McGavock ..... D13/133  
 D895,569 S \* 9/2020 Roberts ..... D14/205  
 D895,575 S \* 9/2020 Aoyagi ..... D14/217  
 D899,399 S \* 10/2020 Jung ..... D14/205  
 D901,445 S \* 11/2020 Huang ..... D14/218  
 D904,347 S \* 12/2020 Yamamoto ..... D14/223  
 D907,008 S \* 1/2021 Yao ..... D14/223  
 D909,336 S \* 2/2021 Adams ..... D14/205  
 D910,600 S \* 2/2021 Zhang ..... D14/223  
 D921,610 S \* 6/2021 Reimann ..... D14/205  
 D924,841 S \* 7/2021 Yuan ..... D14/205  
 2002/0003889 A1 \* 1/2002 Fischer ..... H04R 1/1041  
 381/370  
 2007/0098201 A1 \* 5/2007 Chen ..... H04R 1/1016  
 381/380  
 2011/0142276 A1 \* 6/2011 Uchida ..... H04R 1/1075  
 381/370  
 2011/0176700 A1 \* 7/2011 Hashimoto ..... H04R 1/1016  
 381/380  
 2012/0170789 A1 \* 7/2012 Lin ..... H04R 1/1033  
 381/384  
 2013/0170692 A1 \* 7/2013 Kaneko ..... H04R 1/1033  
 381/380  
 2015/0055917 A1 \* 2/2015 Liu ..... H01R 13/5219  
 385/94  
 2016/0142808 A1 \* 5/2016 Monahan ..... H04R 5/033  
 381/384  
 2016/0261946 A1 \* 9/2016 Chen ..... H04R 1/1091  
 2016/0316290 A1 \* 10/2016 Shen ..... H04R 1/1025  
 2017/0295421 A1 \* 10/2017 Hung ..... H04R 1/1041  
 2019/0306609 A1 \* 10/2019 Lee ..... H04R 1/1066

FOREIGN PATENT DOCUMENTS

CN 306065337 \* 9/2020  
 CN 306078616 \* 9/2020  
 CN 306105576 \* 10/2020  
 CN 306182108 \* 11/2020  
 CN 306267707 \* 1/2021  
 CN 306363411 \* 3/2021  
 CN 306620408 \* 6/2021  
 CN 306686737 \* 7/2021  
 GB 9007307301-0002 \* 11/2019

\* cited by examiner

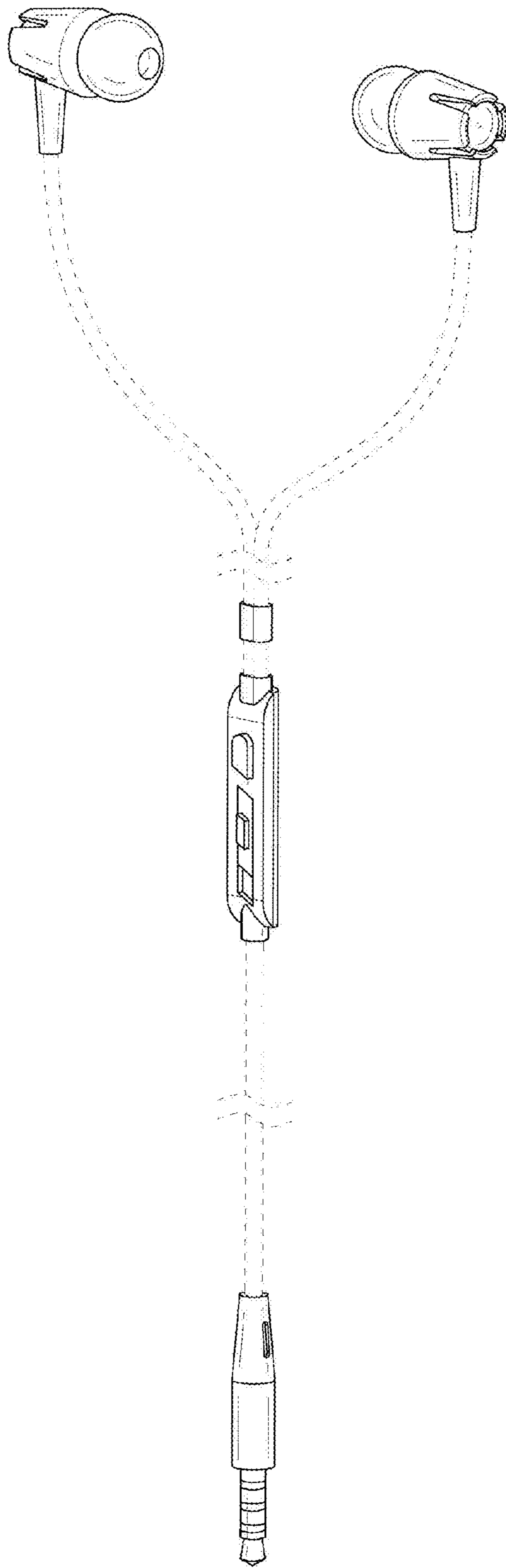


FIG. 1

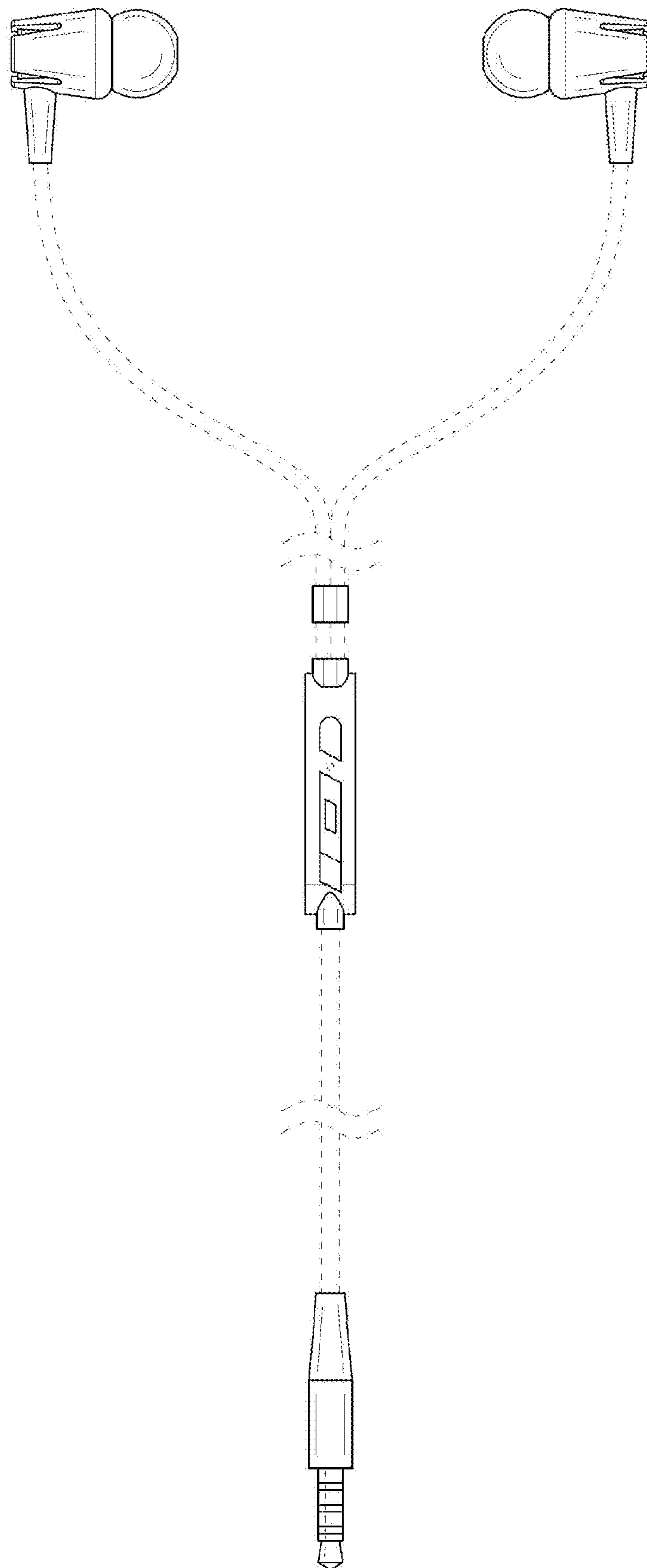


FIG.2

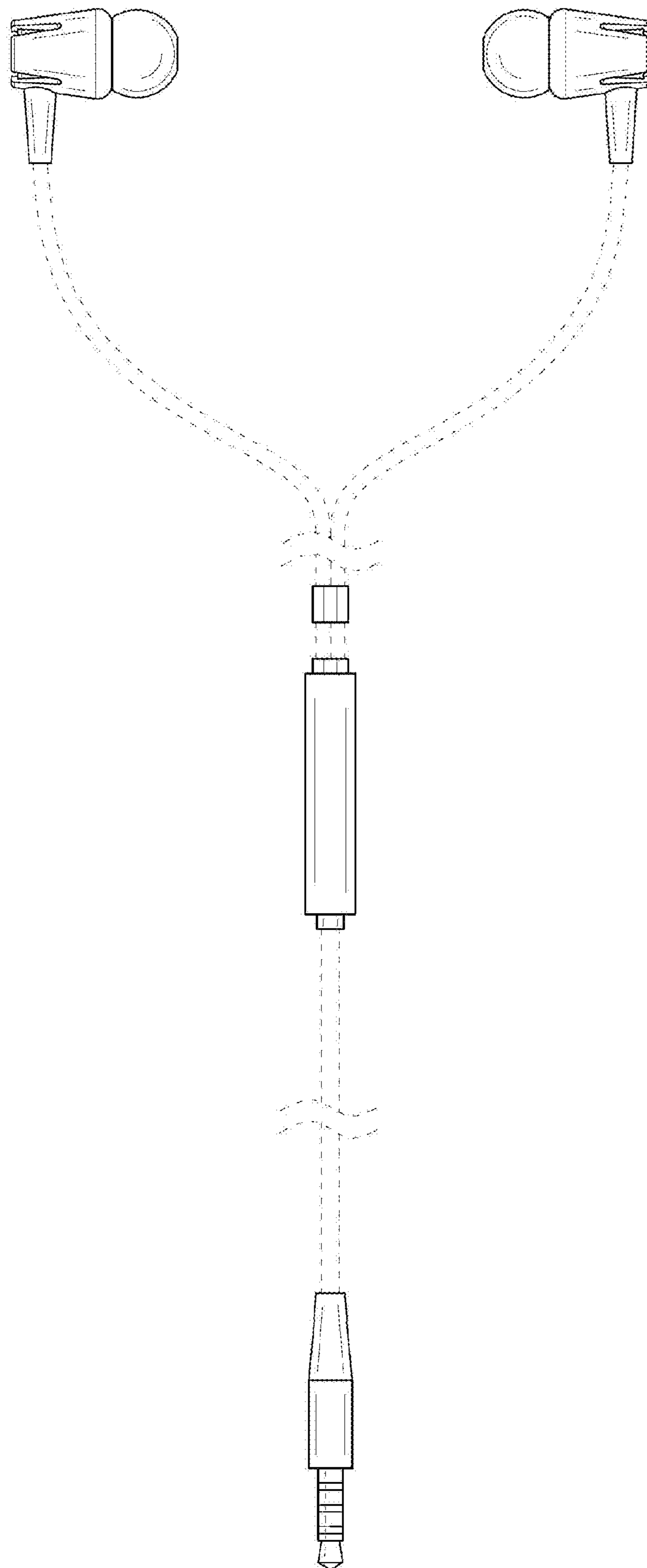


FIG.3

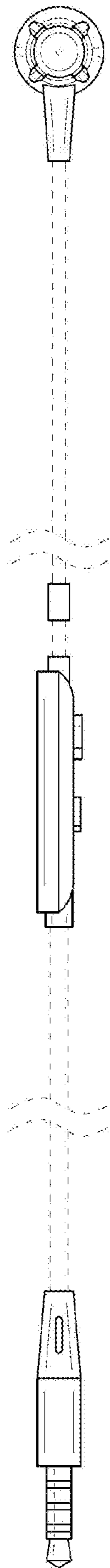


FIG.4

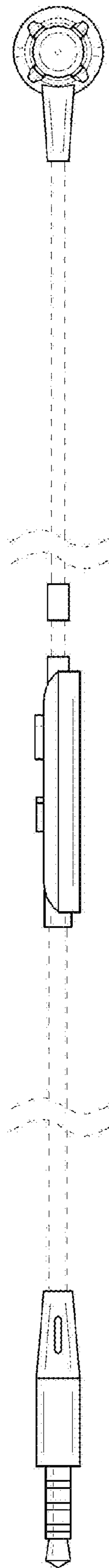


FIG. 5

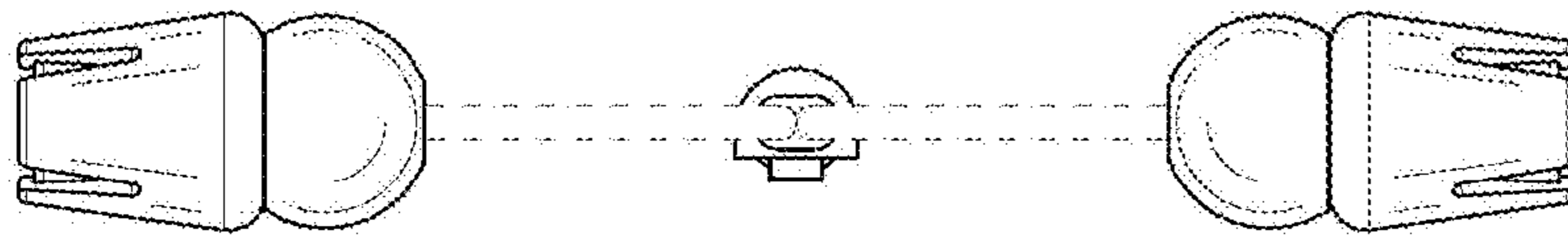


FIG.6



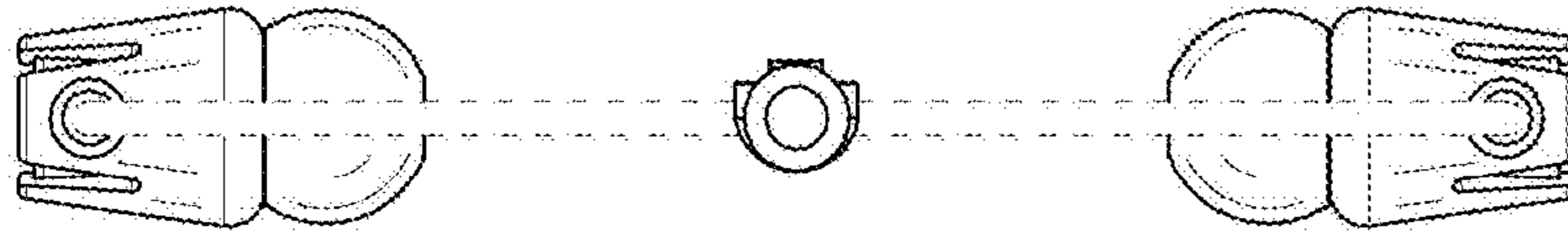


FIG. 7