



US00D935433S

(12) **United States Design Patent**
Lindenberger

(10) **Patent No.:** **US D935,433 S**

(45) **Date of Patent:** **** Nov. 9, 2021**

- (54) **HEADPHONE**
- (71) Applicant: **Harman International Industries, Incorporated, Northridge, CA (US)**
- (72) Inventor: **Laurent Lindenberger, Shenzhen (CN)**
- (73) Assignee: **Harman International Industries, Incorporated, Northridge, CA (US)**

- 8,732,864 B2 * 5/2014 Fountain A61F 11/14
2/209
- 8,737,668 B1 * 5/2014 Blair H04R 1/1066
381/378
- D707,200 S * 6/2014 Yang H04R 1/1066
D14/205
- D723,508 S 3/2015 Garland et al.
- D723,509 S 3/2015 Garland et al.
- D726,146 S 4/2015 Binder et al.

(Continued)

(**) Term: **15 Years**

FOREIGN PATENT DOCUMENTS

(21) Appl. No.: **29/711,715**

- EM 007797287-0004 * 11/2019
- EM 007797287-0013 * 11/2019

(Continued)

(22) Filed: **Nov. 1, 2019**

(51) **LOC (13) Cl.** **14-01**

(52) **U.S. Cl.**

USPC **D14/205**

(58) **Field of Classification Search**

USPC D14/205, 206, 188, 192; D29/112;
2/209; 381/380, 381, 374; 455/90.3,
455/575.1, 569.1

CPC H04R 25/00; H04R 1/10; H04R 1/1066;
H04R 1/1016; H04R 5/033; H04R
5/0335; H04R 1/1091

See application file for complete search history.

OTHER PUBLICATIONS

Design U.S. Appl. No. 29/451,697, filed Apr. 5, 2013.

(Continued)

Primary Examiner — Paula Allen Greene
(74) *Attorney, Agent, or Firm* — Plumsea Law Group, LLC

(57) **CLAIM**

The ornamental design for a headphone, as shown and described.

(56) **References Cited**

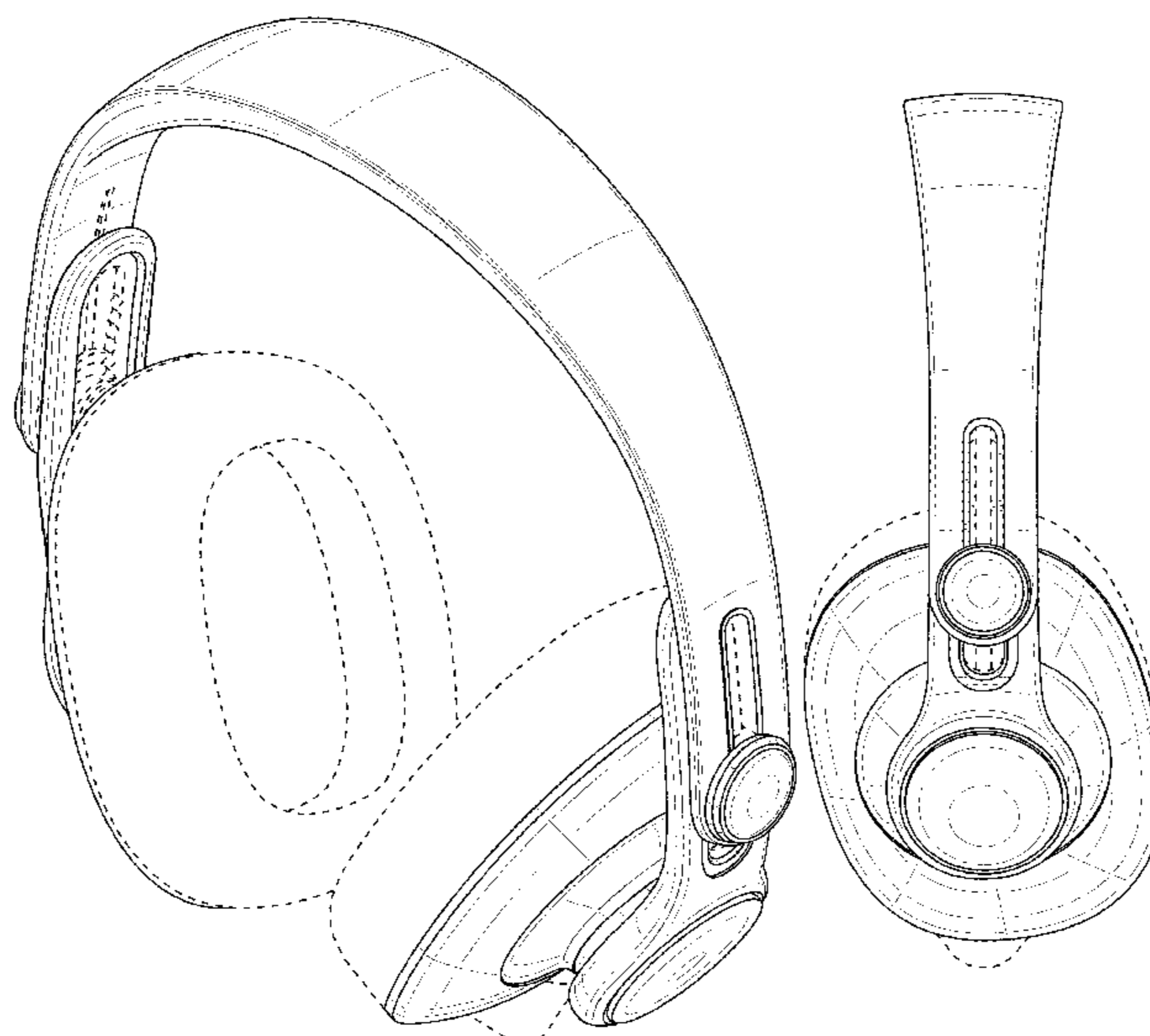
U.S. PATENT DOCUMENTS

- 1,560,718 A * 11/1925 Nowosielski H04R 1/1066
381/377
- 5,357,585 A * 10/1994 Kumar H04R 1/1008
379/430
- D570,825 S * 6/2008 Schultz D14/205
- 7,735,154 B2 * 6/2010 Gellis A61F 11/14
2/209
- D657,345 S * 4/2012 Brunner H04R 1/1008
D14/205
- 8,565,468 B2 * 10/2013 Ito H04R 1/105
381/378
- D696,226 S * 12/2013 Brunner H04R 5/033
D14/205

DESCRIPTION

FIG. 1 is a front perspective view of a headphone showing the new design;
FIG. 2 is a front elevational view thereof;
FIG. 3 is a rear elevational view thereof;
FIG. 4 is a side elevational view thereof;
FIG. 5 is an opposite side elevational view thereof;
FIG. 6 is a top view thereof; and,
FIG. 7 is a bottom view thereof.
The broken lines illustrate portions of the headphone that form no part of the claimed design.

1 Claim, 7 Drawing Sheets



(56)

References Cited

OTHER PUBLICATIONS

U.S. PATENT DOCUMENTS

D732,001 S * 6/2015 Licht D14/205
 D736,176 S 8/2015 Rapitsch
 D740,254 S * 10/2015 Huang D14/205
 D769,842 S 10/2016 Rouffiat
 D784,956 S * 4/2017 Homewood D14/205
 D784,957 S * 4/2017 Hsieh D14/205
 D800,691 S * 10/2017 Ando D14/205
 D805,055 S * 12/2017 Kelly D14/205
 D810,718 S * 2/2018 Galler D14/205
 D811,364 S 2/2018 Park
 D826,897 S * 8/2018 Wang D14/205
 D852,777 S 7/2019 Park et al.
 D878,328 S * 3/2020 Tsubone D14/205
 D893,452 S * 8/2020 Yook D14/205
 D909,988 S * 2/2021 Vaclavik D14/205
 2001/0017925 A1 * 8/2001 Ceravolo H04M 1/05
 381/370
 2003/0037366 A1 * 2/2003 Lindgren A61F 11/14
 2/209
 2005/0220318 A1 * 10/2005 Han H04R 1/1008
 381/371
 2015/0195640 A1 * 7/2015 Essabar H04R 5/0335
 381/378
 2019/0320255 A1 * 10/2019 Cranfield H04R 1/105

FOREIGN PATENT DOCUMENTS

EM 007797287-0004 * 4/2020
 EM 007797287-0005 * 4/2020

Design U.S. Appl. No. 29/631,227, filed Dec. 28, 2017.
 Design U.S. Appl. No. 29/661,346, filed Aug. 27, 2018.
 Design U.S. Appl. No. 29/661,389, filed Aug. 27, 2018.
 Design U.S. Appl. No. 29/688,598, filed Apr. 23, 2019.
 Design U.S. Appl. No. 29/703,423, filed Aug. 27, 2019.
 Design U.S. Appl. No. 29/703,425, filed Aug. 27, 2019.
 Design U.S. Appl. No. 29/703,432, filed Aug. 27, 2019.
 Design U.S. Appl. No. 29/703,437, filed Aug. 27, 2019.
 Design U.S. Appl. No. 29/704,338, filed Sep. 4, 2019.
 Harman AKG K361 Over-Ear, Closed-Back Foldable Studio Headphones Specification Sheet, Sep. 2019.
 Harman AKG K371 Headphones, AKG, dated Sep. 29, 2019. Retrieved Feb. 4, 2020 from Internet: <https://web.archive.org/web/20190929174148/https://www.ake.com/Headphones/Professional%20Headphones/K371-.html?dwvar_K371-_color=Black-GLOBAL-Current>.
 Harman AKG K371 Over-Ear, Closed-Back Foldable Studio Headphones Specification Sheet, Sep. 2019.
 AKG Announces New K361 & K371 Professional Studio Headphones, ProSoundWeb, dated Jul. 19, 2019. Retrieved Feb. 4, 2020 from Internet: <<https://www.prosoundweb.com/ake-announces-new-k361-k371-professional-studio-headphones/>>.
 AKG Announces the K361 & K371 Professional Studio Headphones, Harman International, dated Jul. 10, 2019. Retrieved Feb. 4, 2020 from Internet: <<https://pro.harman.com/news/ake-announces-the-k361-and-k371-professional-studio-headphones>>.

* cited by examiner

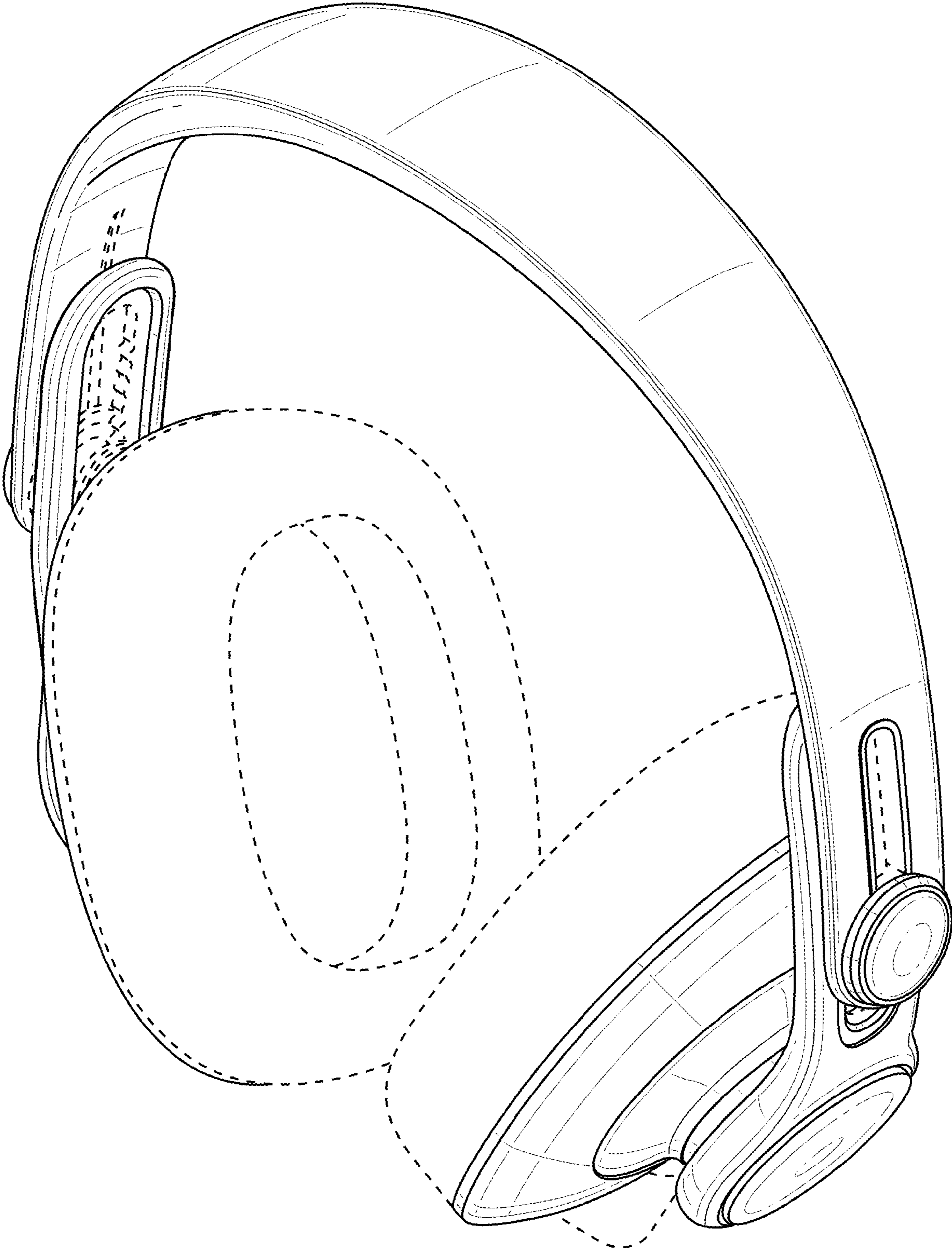


FIG. 1



FIG. 2



FIG. 3

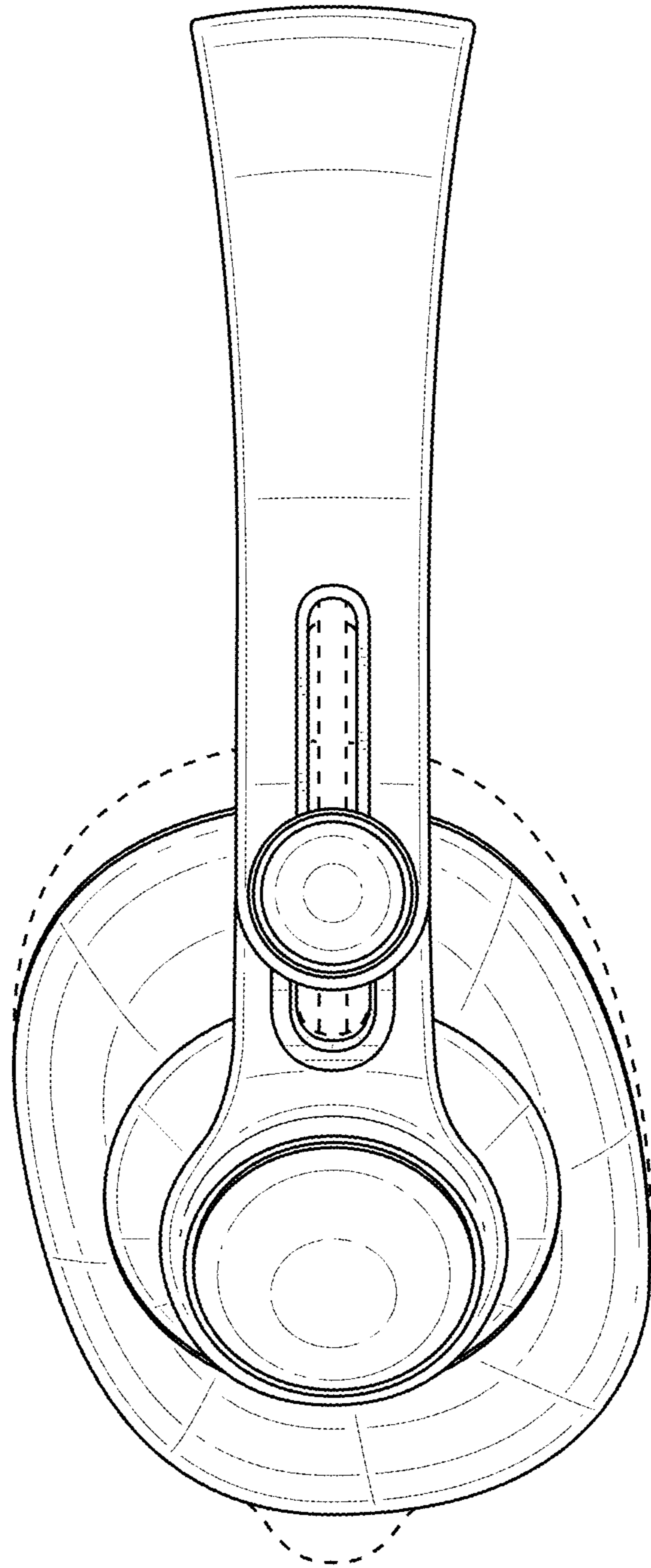


FIG. 4

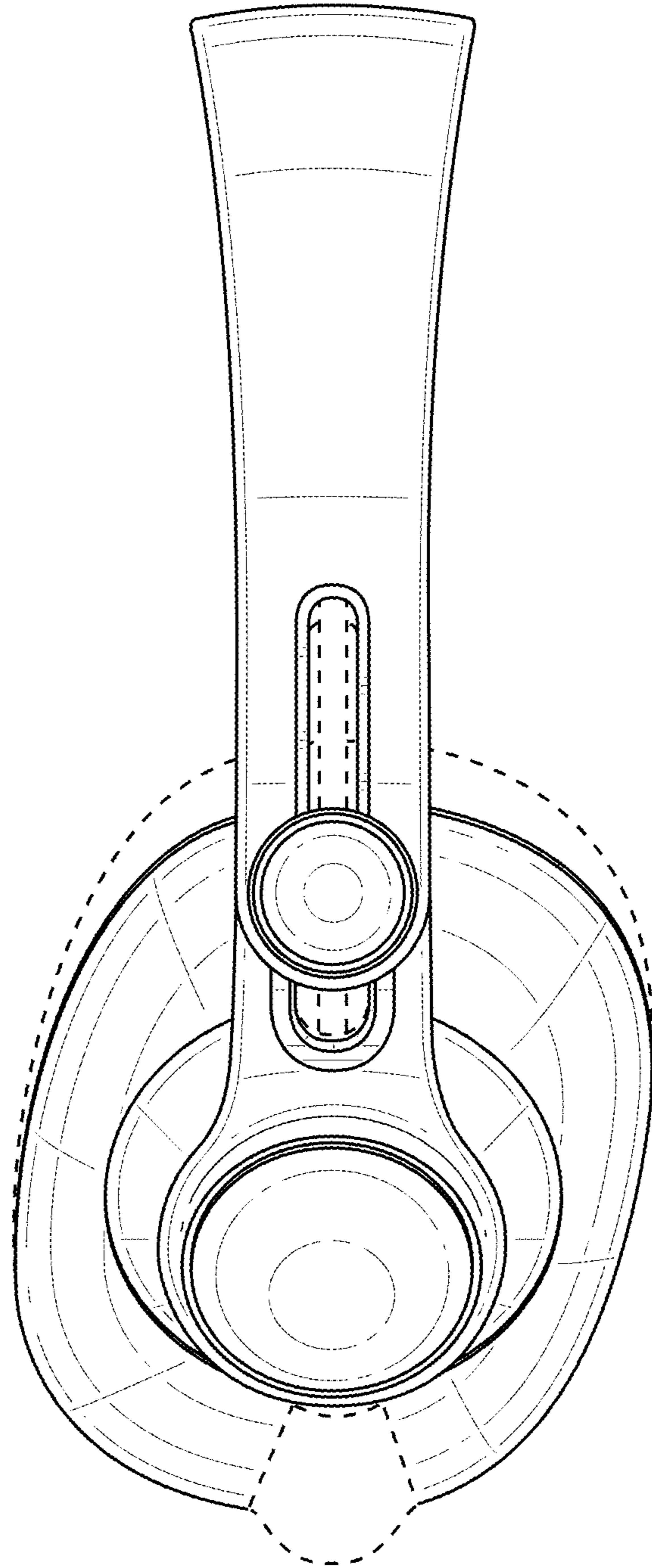


FIG. 5

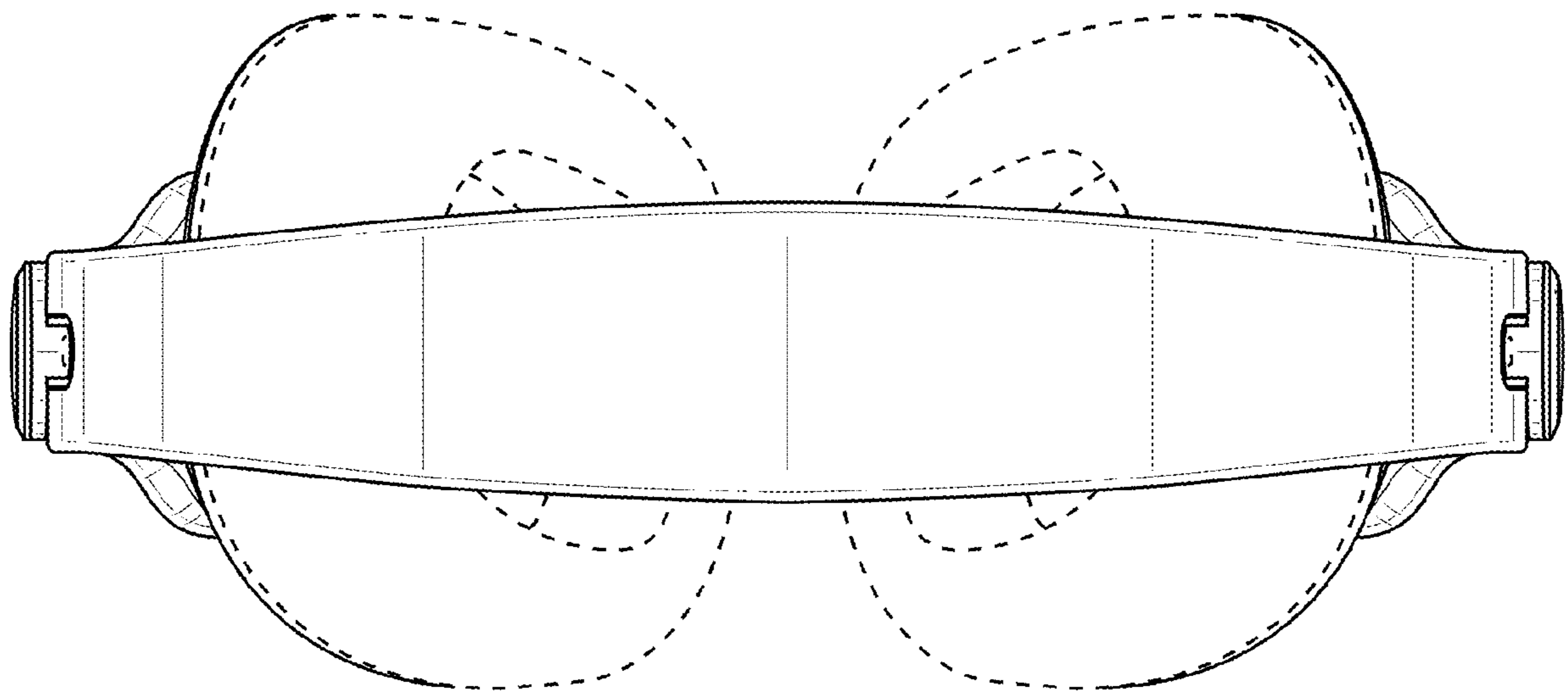


FIG. 6

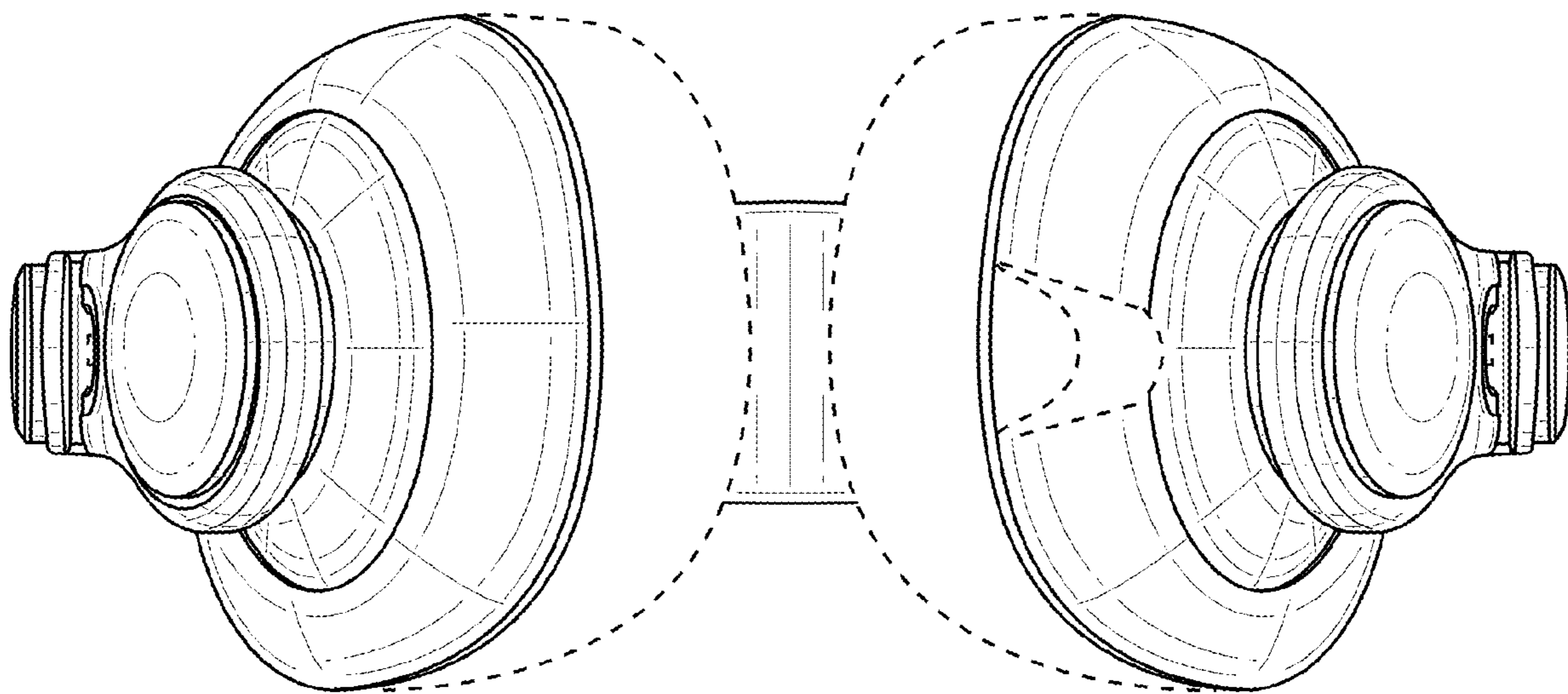


FIG. 7