



US00D935431S

(12) **United States Design Patent** (10) **Patent No.:** **US D935,431 S**  
**Xie** (45) **Date of Patent:** **\*\* Nov. 9, 2021**

(54) **BABY MONITOR**

(71) Applicant: **SHENZHEN LIANHUA ELECTRONIC CO., LTD**, Shenzhen (CN)

(72) Inventor: **Qingqin Xie**, Suixi (CN)

(\*\*) Term: **15 Years**

(21) Appl. No.: **29/752,792**

(22) Filed: **Sep. 29, 2020**

(51) **LOC (13) Cl.** ..... **14-03**

(52) **U.S. Cl.**  
USPC ..... **D14/159**

(58) **Field of Classification Search**  
USPC ..... D14/167, 154, 168, 188, 496, 156, 160, D14/161, 162, 163, 164, 165, 158, 253, D14/192, 159, 155, 138 AB, 137, 104.1; D16/202, 203; D10/104.1, 106, 65, 78; D24/187; 340/573.4, 573.1, 12.55  
CPC . G06F 3/16; G08B 3/00; H04M 11/00; H04N 7/14; H04N 7/26  
See application file for complete search history.

(56) **References Cited**

**U.S. PATENT DOCUMENTS**

D386,703 S \* 11/1997 Nowak ..... D10/104.1  
D675,584 S \* 2/2013 Sharp ..... D14/126  
D727,277 S 4/2015 Fujioka  
D735,690 S 8/2015 Sharp  
D740,782 S \* 10/2015 Thomas ..... D14/159

D763,220 S \* 8/2016 Deng ..... D14/159  
D823,277 S 7/2018 Hagenauer  
D861,631 S \* 10/2019 Gan ..... D14/159  
D868,724 S \* 12/2019 Xie ..... D14/159  
D881,154 S \* 4/2020 Guo ..... D14/159  
D897,983 S \* 10/2020 Ravat ..... D14/159  
10,987,484 B1 \* 4/2021 Konda ..... A61M 21/02

\* cited by examiner

*Primary Examiner* — Austin Murphy

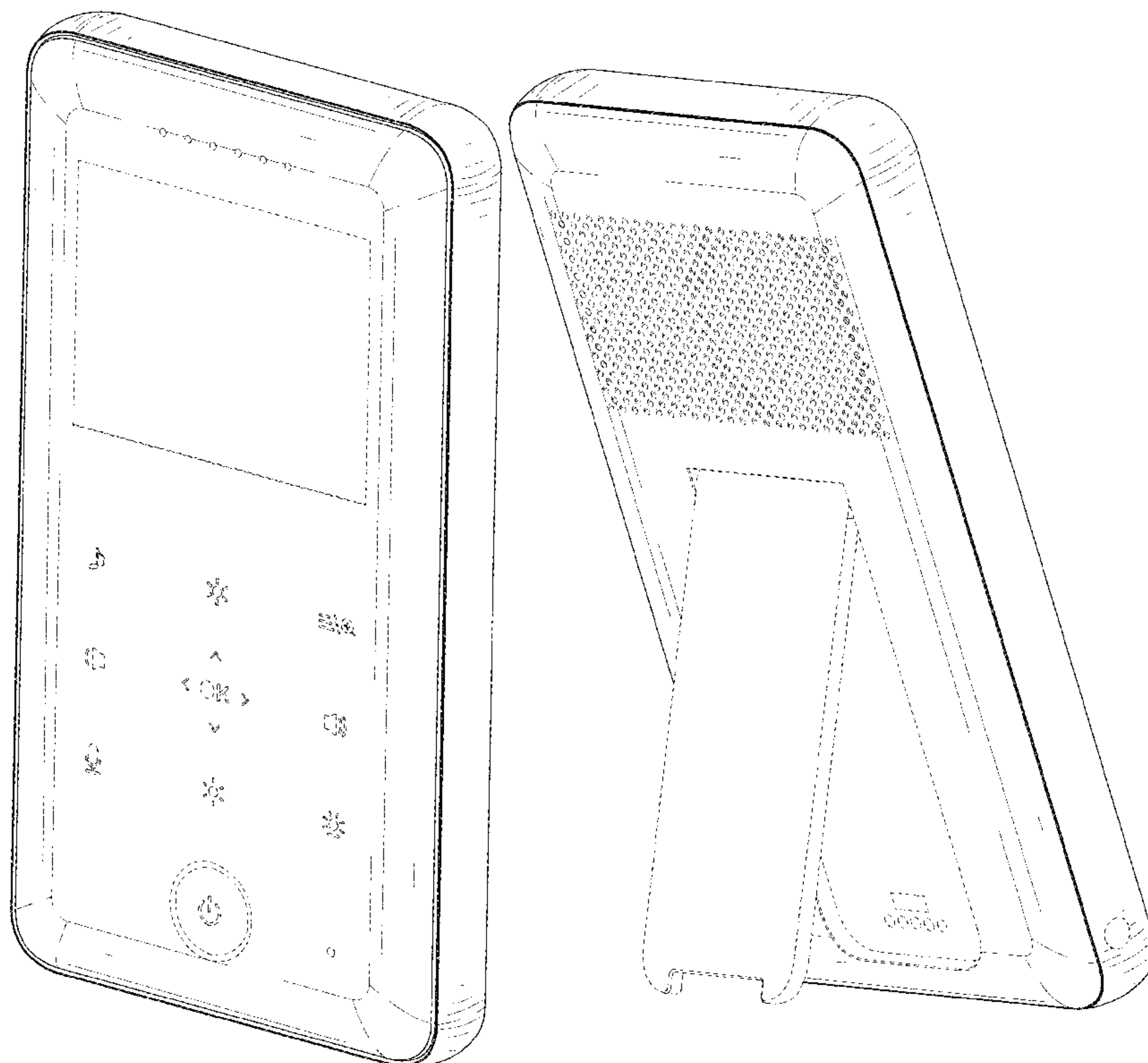
(57) **CLAIM**

The ornamental design for a baby monitor, as shown and described.

**DESCRIPTION**

FIG. 1 is a first perspective view of a baby monitor showing my new design;  
FIG. 2 is a second perspective view thereof;  
FIG. 3 is a front view thereof;  
FIG. 4 is a back view thereof;  
FIG. 5 is a left side view thereof;  
FIG. 6 is a right side view thereof;  
FIG. 7 is a top view thereof;  
FIG. 8 is a bottom view thereof; and,  
FIG. 9 is a perspective view of another state of the baby monitor thereof.  
The broken lines shown in the drawings depict portions of the baby monitor in which the design is embodied that form no part of the claimed design.

**1 Claim, 9 Drawing Sheets**



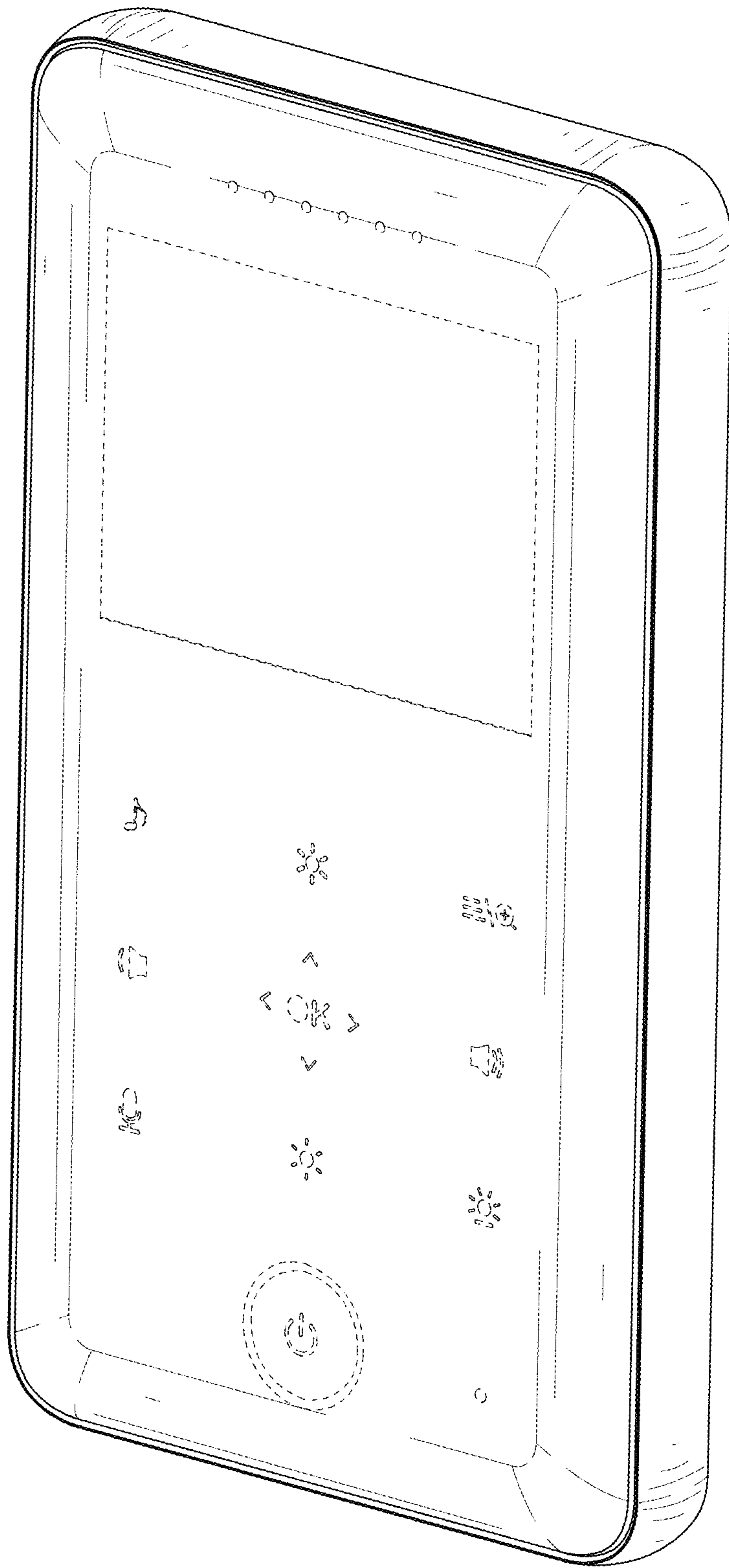


FIG. 1

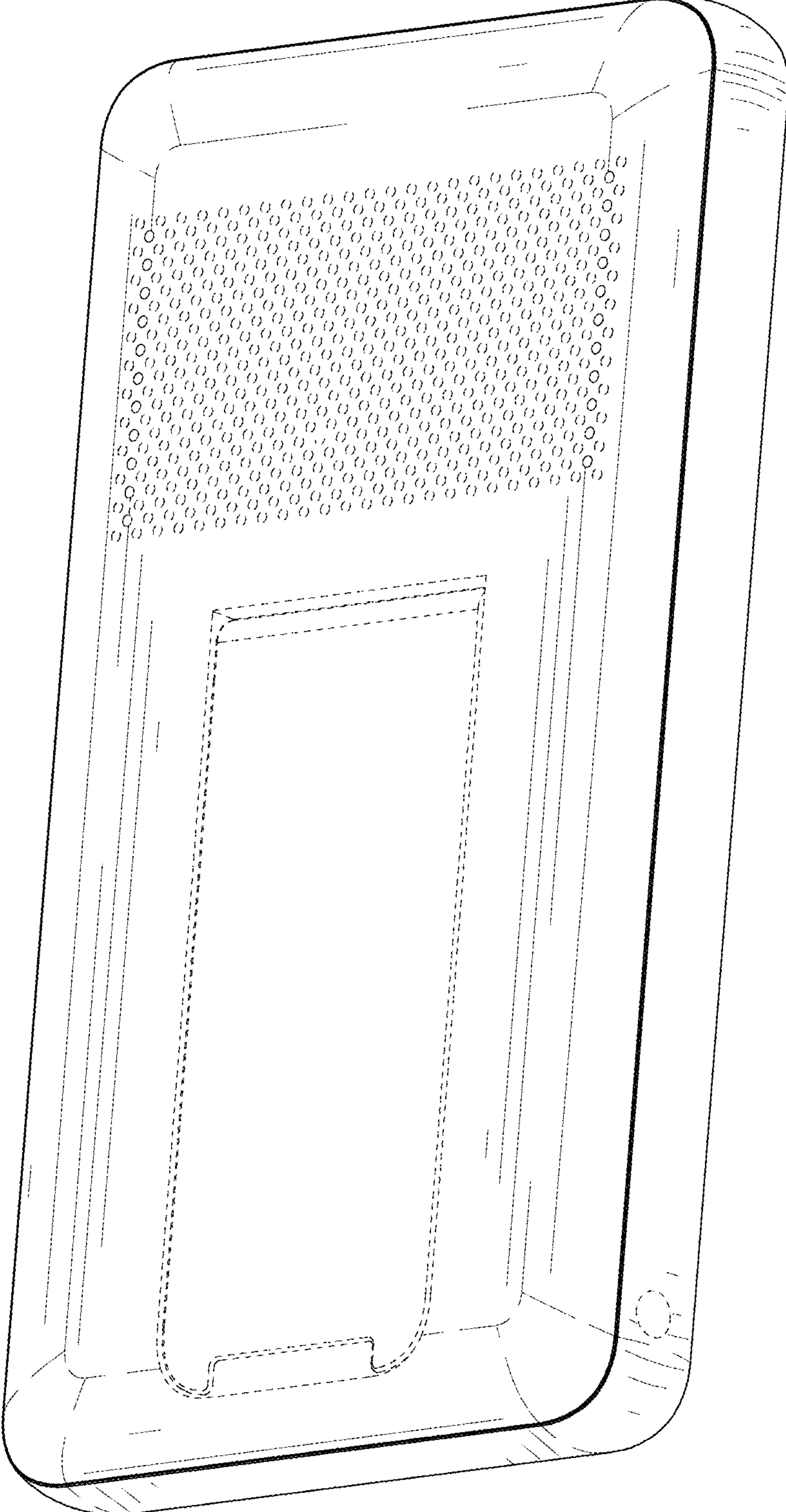


FIG. 2

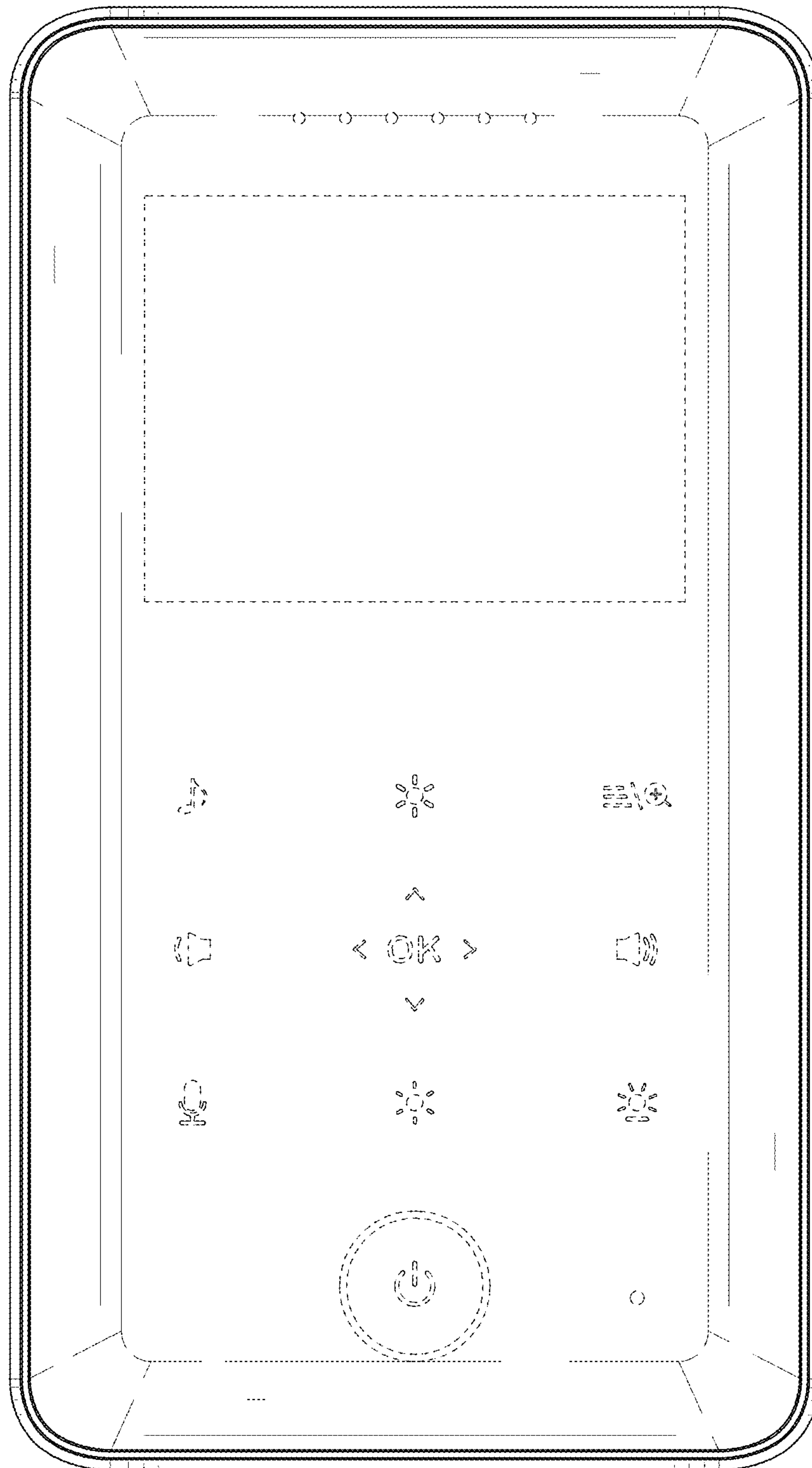


FIG. 3



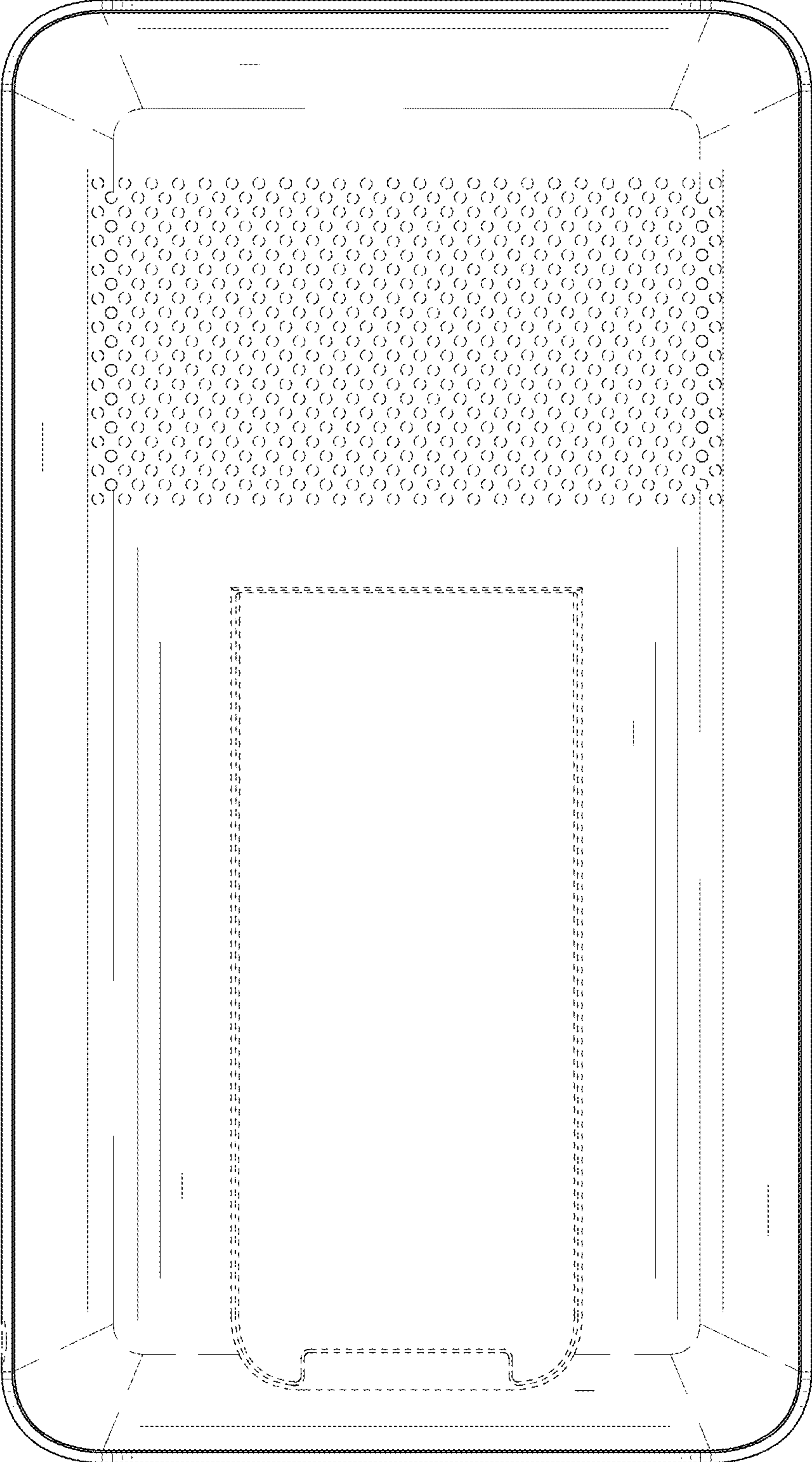


FIG. 4

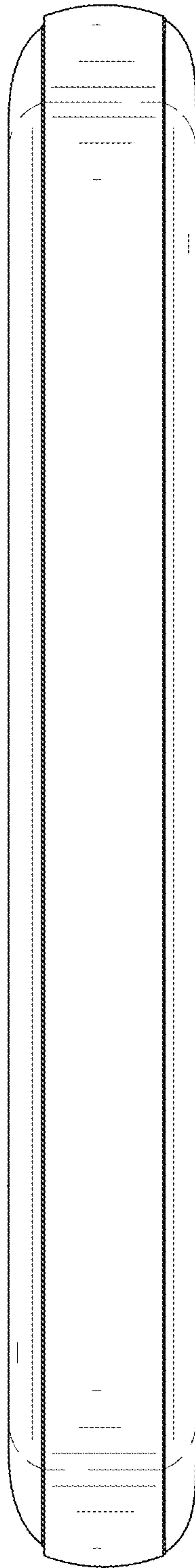


FIG. 5

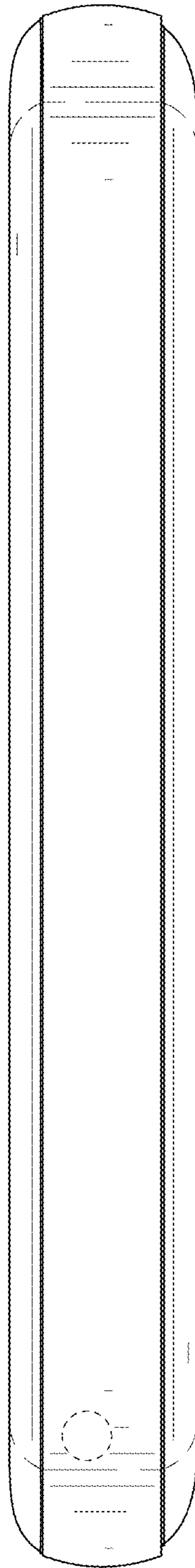


FIG. 6

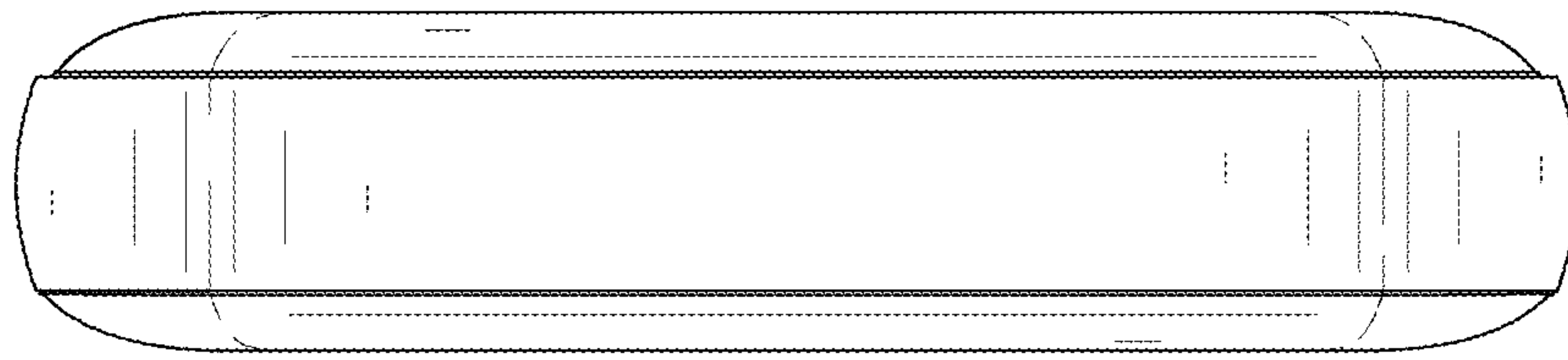


FIG. 7



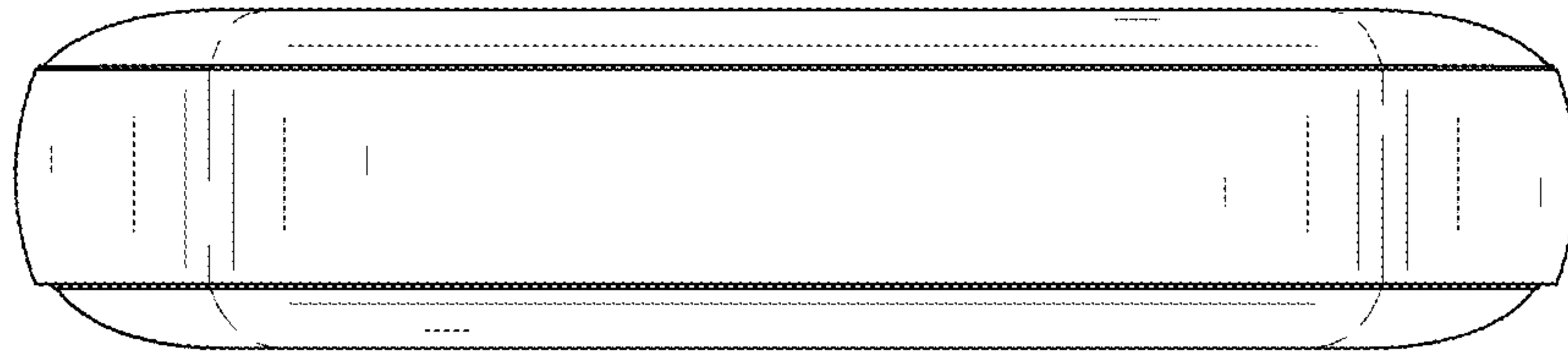


FIG. 8

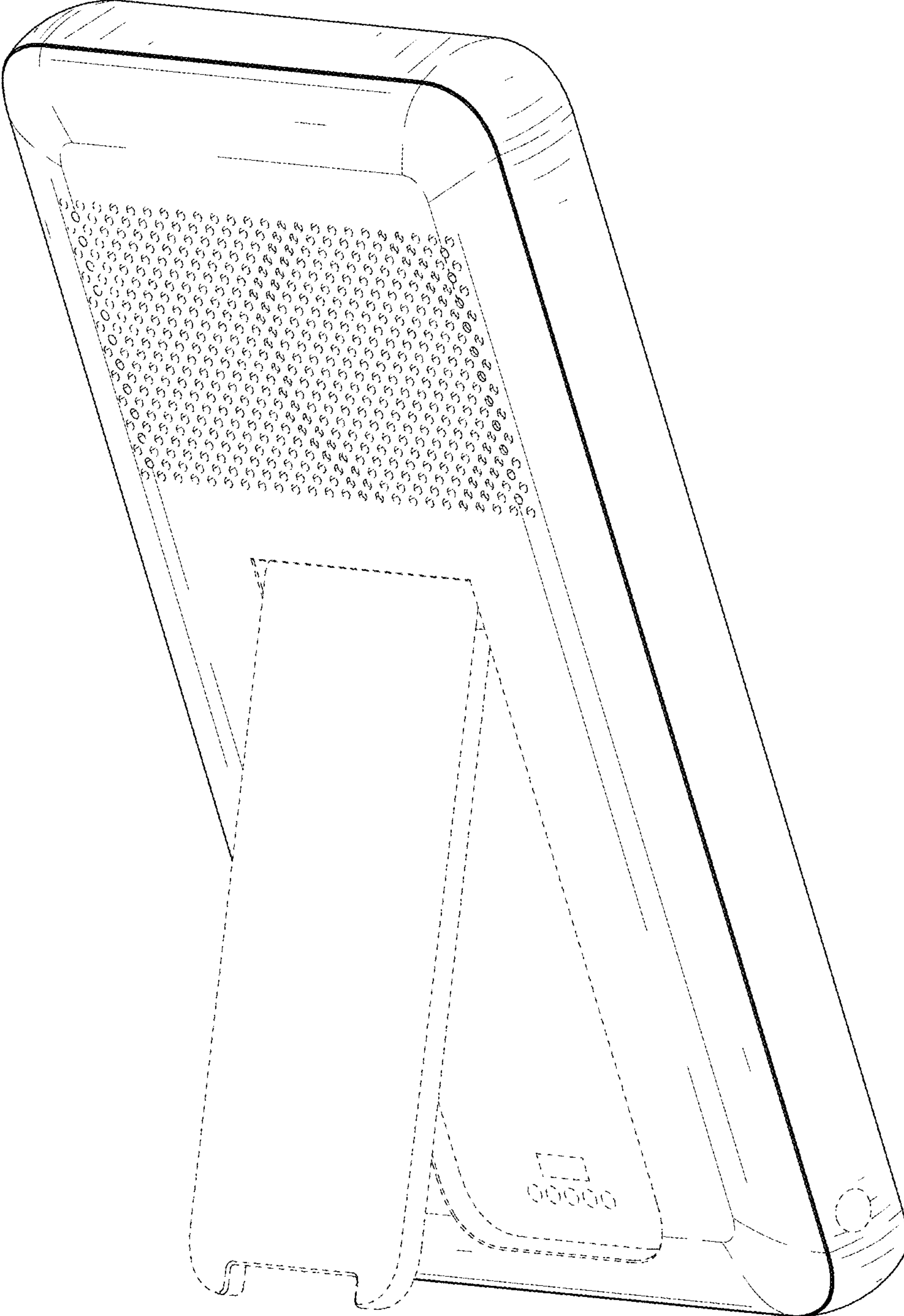


FIG. 9