



US00D935430S

(12) **United States Design Patent**
Xie

(10) **Patent No.:** **US D935,430 S**

(45) **Date of Patent:** **** Nov. 9, 2021**

(54) **BABY MONITOR**

(71) Applicant: **SHENZHEN LIANHUA ELECTRONIC CO., LTD**, Shenzhen (CN)

(72) Inventor: **Qingqin Xie**, Suixi (CN)

(**) Term: **15 Years**

(21) Appl. No.: **29/752,787**

(22) Filed: **Sep. 29, 2020**

(51) **LOC (13) Cl.** **14-03**

(52) **U.S. Cl.**
USPC **D14/159**

(58) **Field of Classification Search**
USPC D14/167, 154, 168, 188, 496, 156, 160, D14/161, 162, 163, 164, 165, 158, 253, D14/192, 159, 155, 138 AB, 137, 104.1; D16/202, 203; D10/104.1, 106, 65, 78; D24/187; 340/573.4, 573.1, 12.55
CPC . G06F 3/16; G08B 3/00; H04M 11/00; H04N 7/14; H04N 7/26
See application file for complete search history.

(56) **References Cited**

U.S. PATENT DOCUMENTS

D678,929 S	*	3/2013	Hancock	D16/203
D692,847 S	*	11/2013	Barley	D14/159
D727,277 S		4/2015	Fujioka		
D735,690 S		8/2015	Sharp		
D803,920 S	*	11/2017	Shin	D16/203
D823,277 S		7/2018	Hagenauer		

D836,698 S	*	12/2018	Hathway	D16/203
D840,965 S	*	2/2019	Ke	D14/159
D849,094 S	*	5/2019	Gan	D16/203
D854,168 S	*	7/2019	He	D24/187
D863,249 S	*	10/2019	Xie	D14/159
D864,276 S	*	10/2019	Hathway	D16/203
D889,524 S	*	7/2020	Xu	D16/203
D893,444 S	*	8/2020	Sandberg	D14/159
D895,565 S	*	9/2020	Tang	D14/159

* cited by examiner

Primary Examiner — Austin Murphy

(57) **CLAIM**

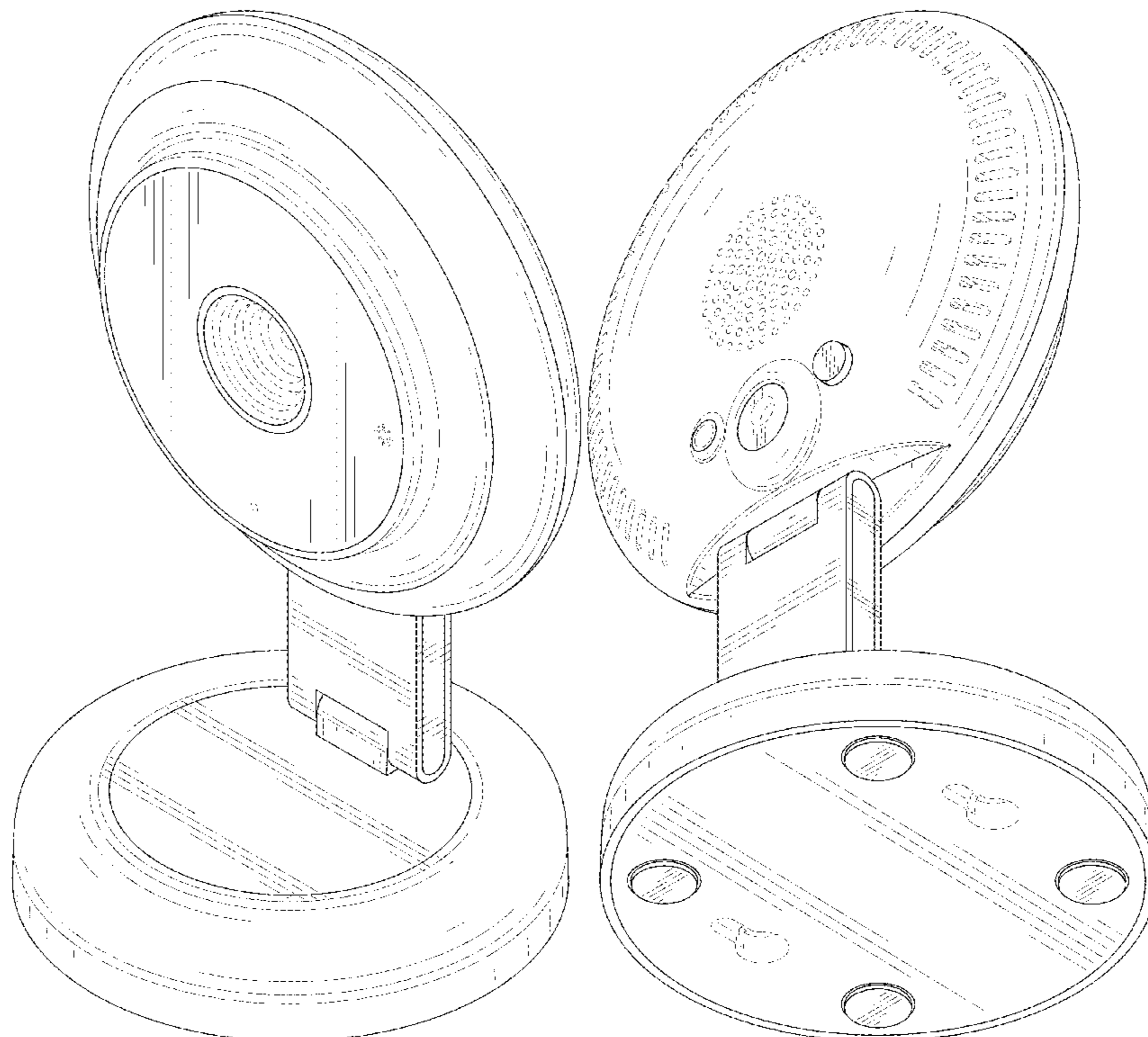
The ornamental design for a baby monitor, as shown and described.

DESCRIPTION

FIG. 1 is a first perspective view of a baby monitor showing my new design;
FIG. 2 is a second perspective view thereof;
FIG. 3 is a front view thereof;
FIG. 4 is a back view thereof;
FIG. 5 is a left side view thereof;
FIG. 6 is a right side view thereof;
FIG. 7 is a top view thereof; and,
FIG. 8 is a bottom view thereof.

The broken lines shown in the drawings depict portions of the baby monitor in which the design is embodied that form no part of the claimed design.

1 Claim, 8 Drawing Sheets



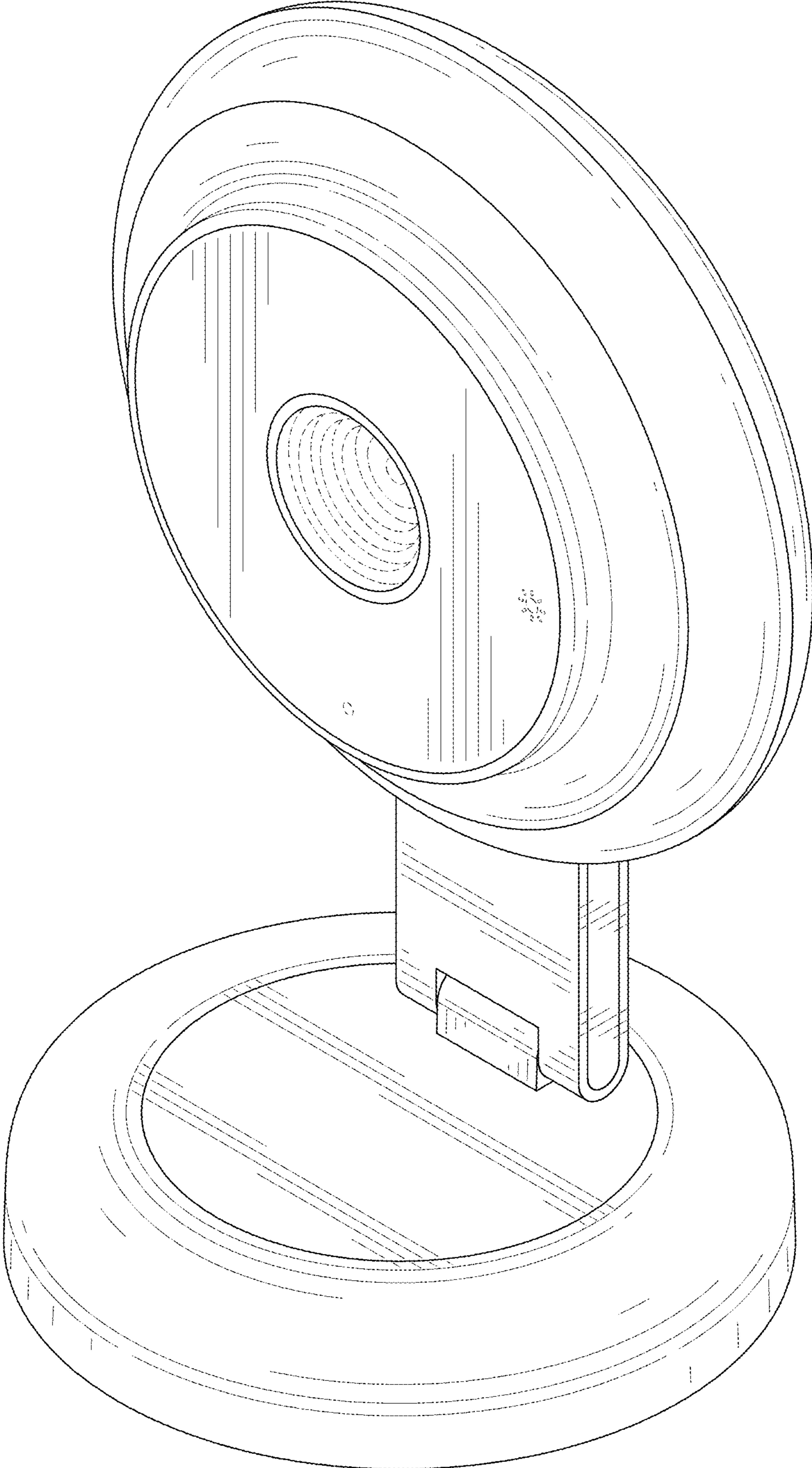


FIG. 1

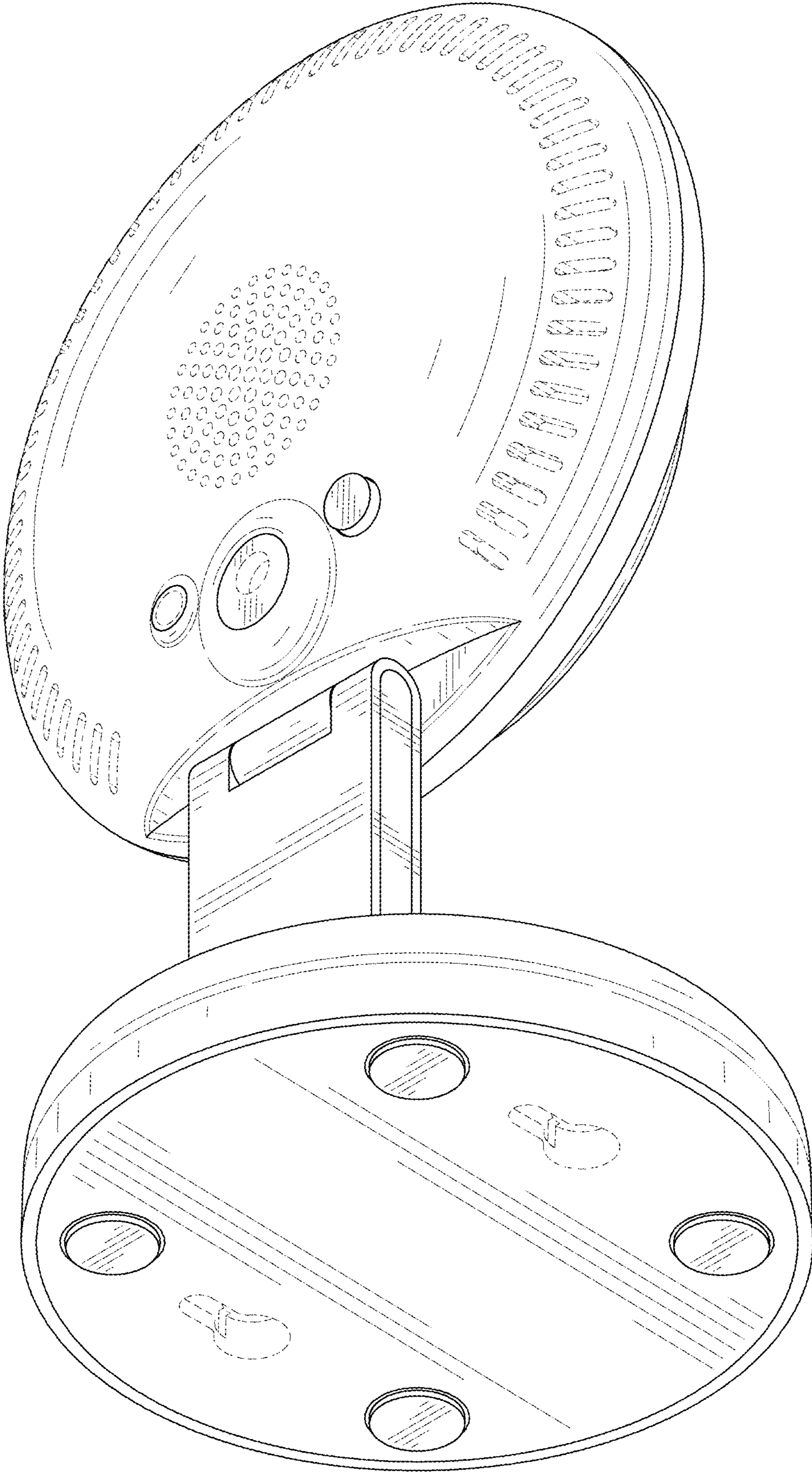


FIG. 2

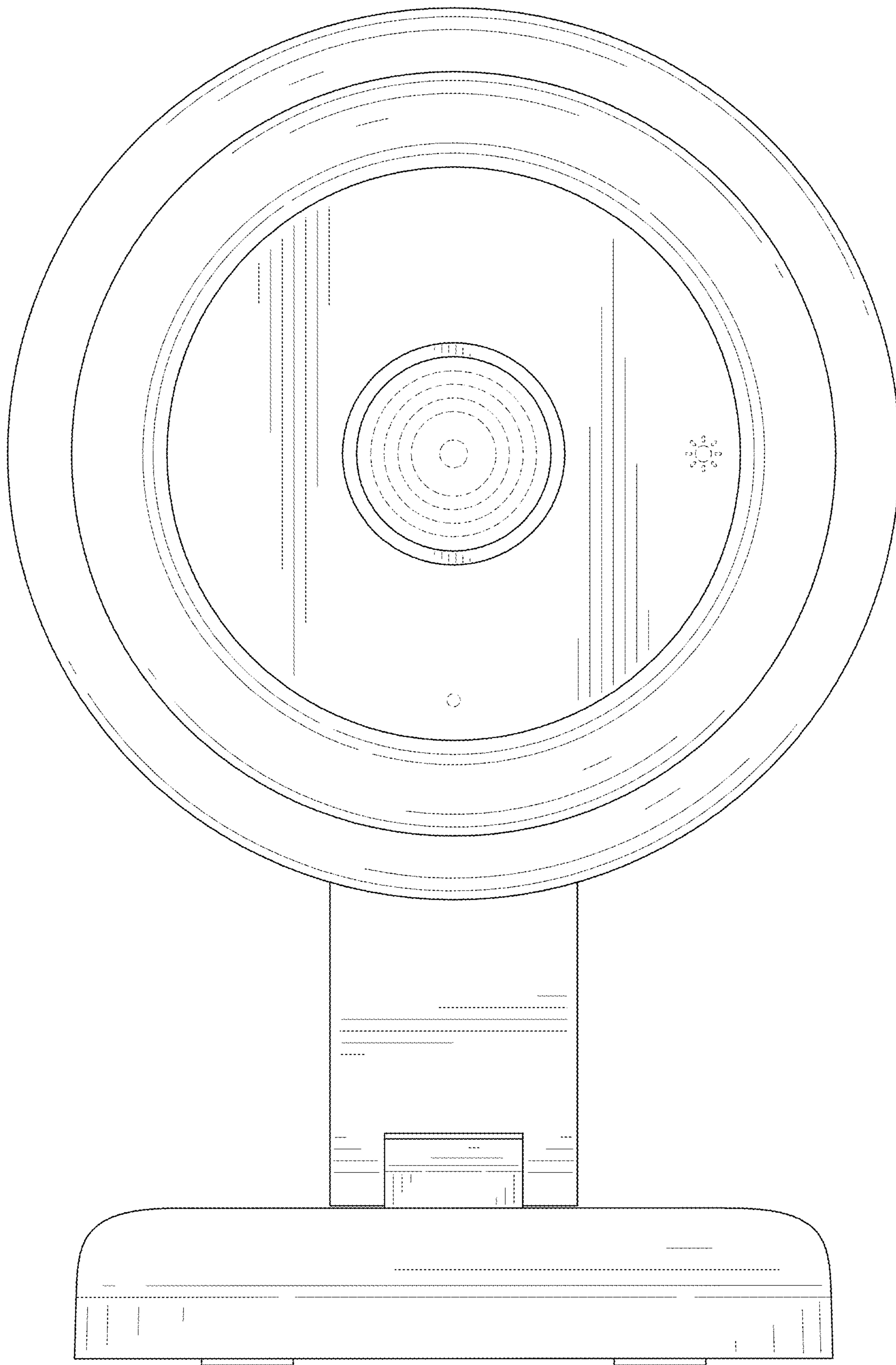


FIG. 3

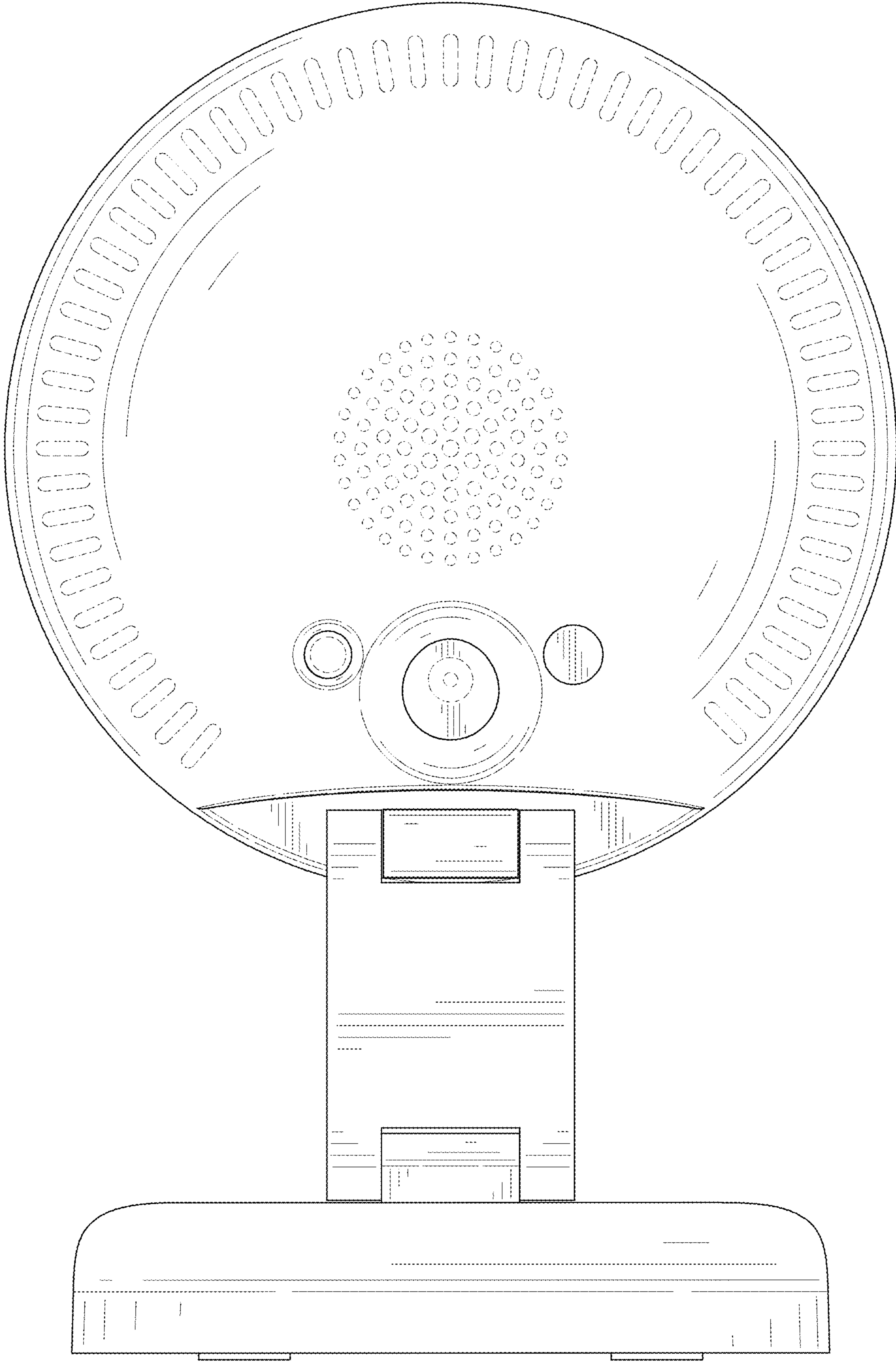


FIG. 4

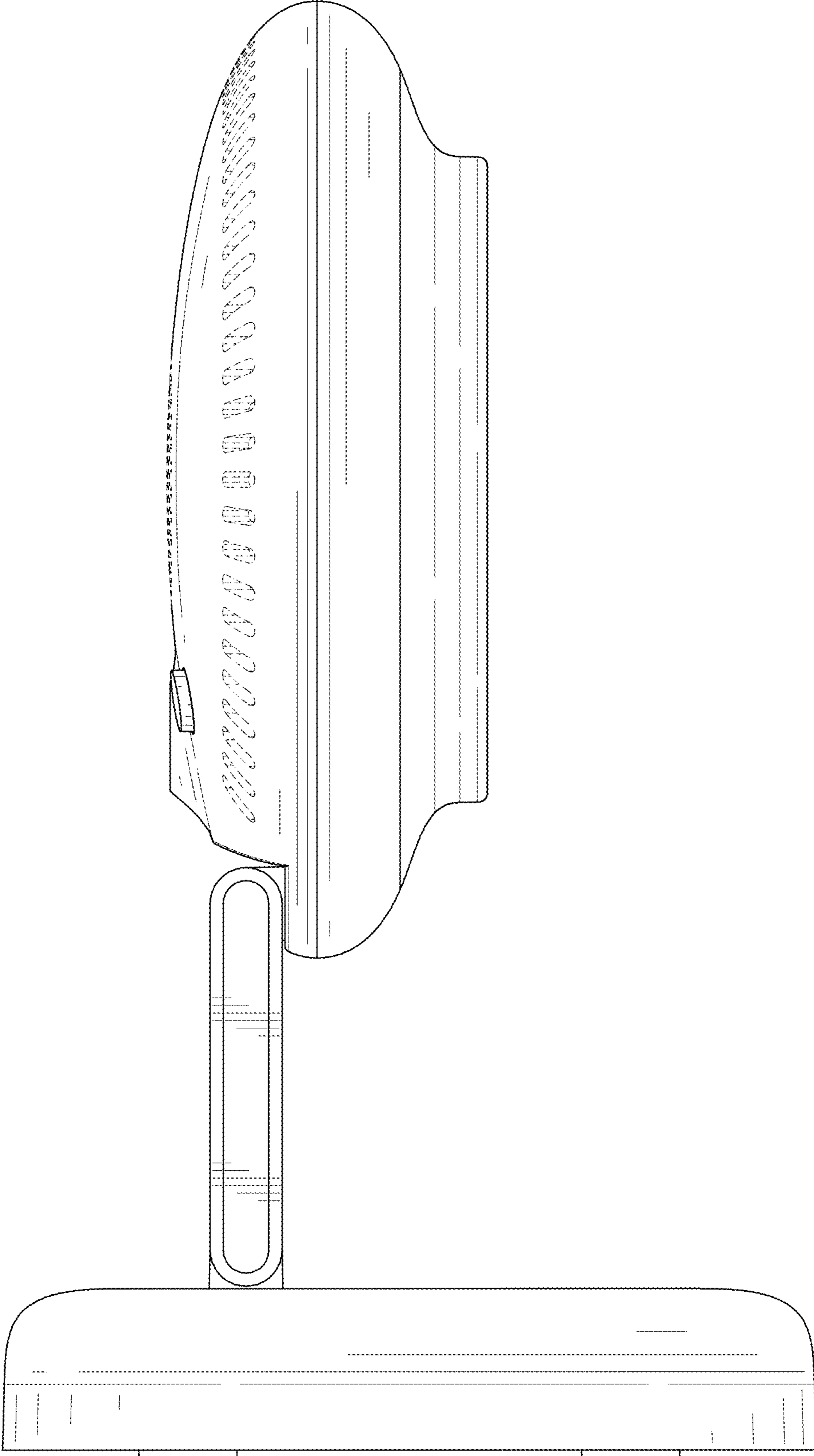


FIG. 5

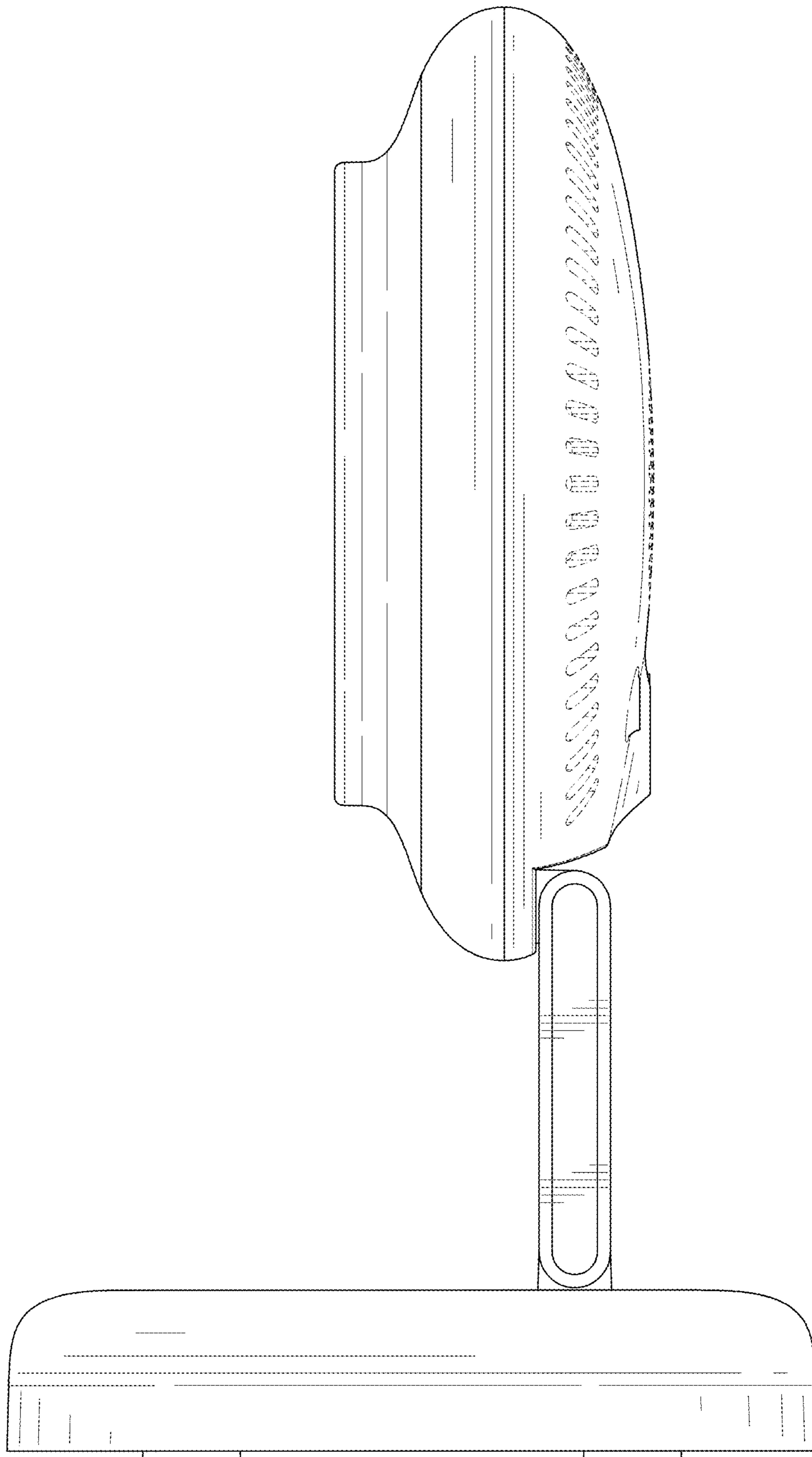


FIG. 6

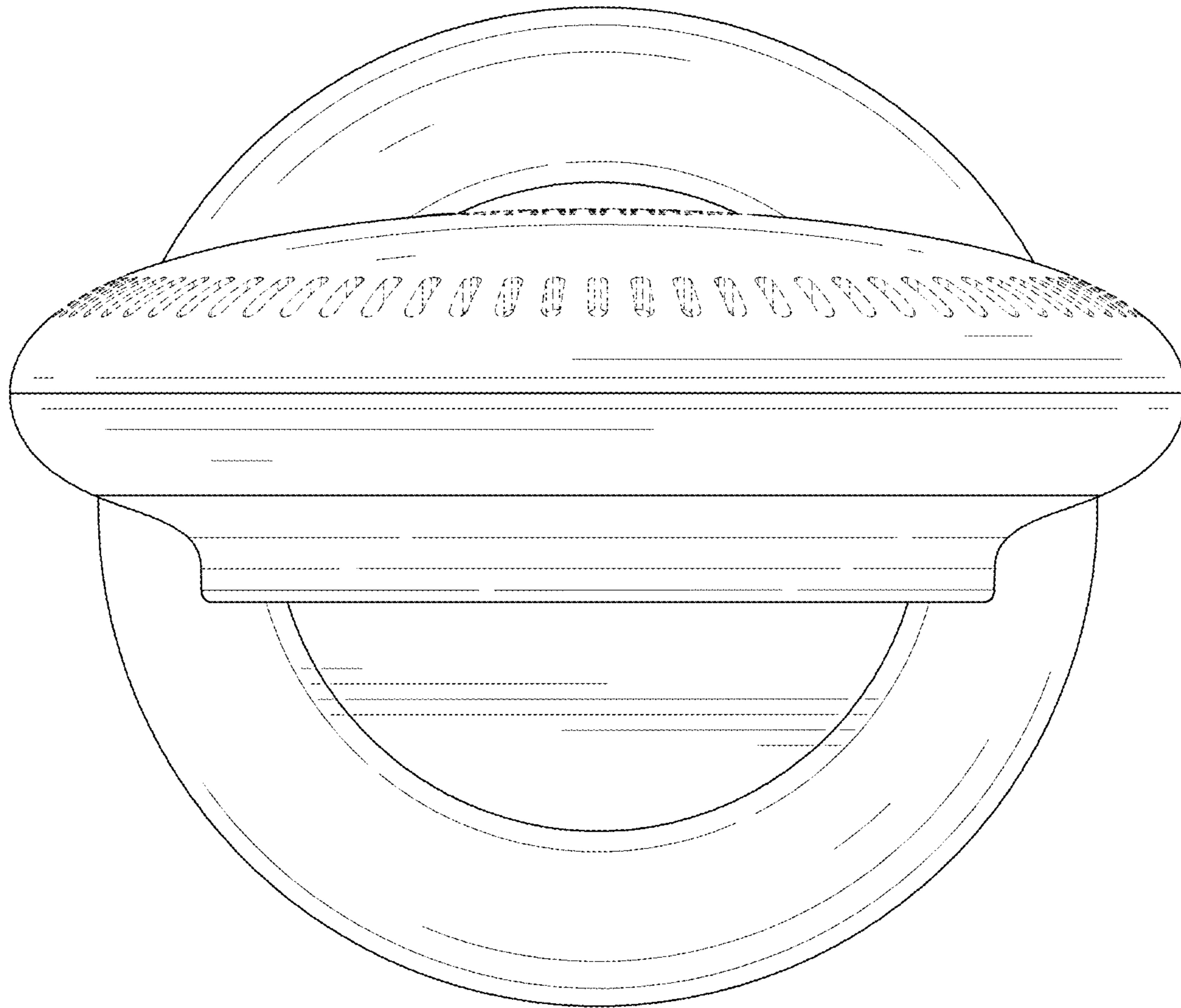


FIG. 7

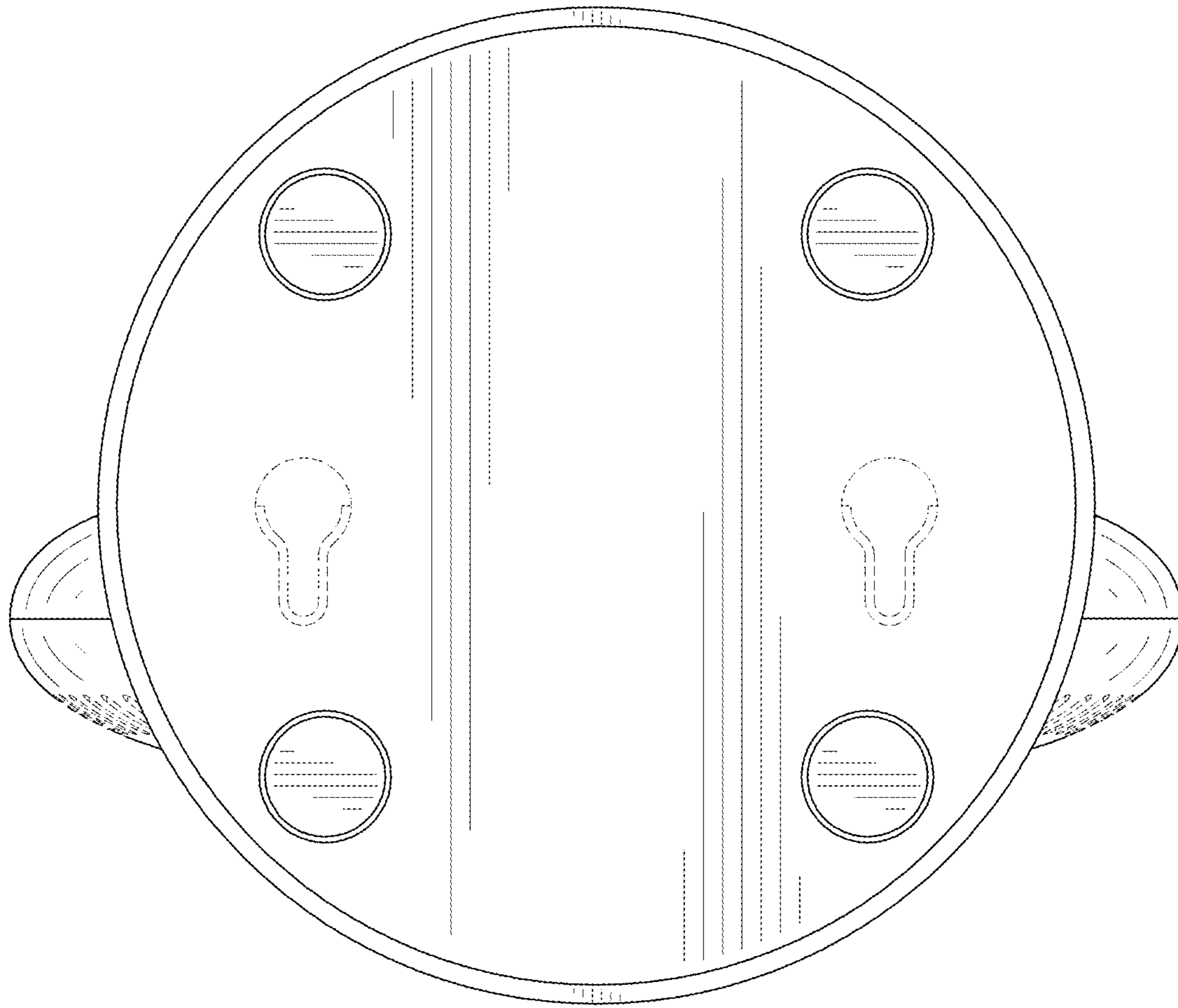


FIG. 8