



US00D935426S

(12) **United States Design Patent** (10) **Patent No.:** **US D935,426 S**
Stinson et al. (45) **Date of Patent:** **** Nov. 9, 2021**

(54) **PEDESTAL DIGITAL OUTDOOR DISPLAY**

(71) Applicant: **Melitron Corporation**, Guelph (CA)

(72) Inventors: **Kelly Stinson**, Cambridge (CA);
Michael Turner, Guelph (CA)

(73) Assignee: **Melitron Corporation**, Guelph (CA)

(**) Term: **15 Years**

(21) Appl. No.: **29/768,033**

(22) Filed: **Jan. 27, 2021**

Related U.S. Application Data

(62) Division of application No. 29/680,914, filed on Feb. 21, 2019, now Pat. No. Des. 911,992.

(51) **LOC (13) Cl.** **14-03**

(52) **U.S. Cl.**
USPC **D14/126**

(58) **Field of Classification Search**
USPC D6/300, 310, 512, 524, 545; D14/126,
D14/300, 301, 302, 307, 371, 374, 900,
D14/901, 902; D19/113; D20/10, 18,
D20/19, 20, 41, 42, 99
CPC G09F 13/00; G09F 13/04; G09F 13/08;
G09F 13/20; G09F 19/00; G09F 19/02;
G09F 19/10; G06Q 20/18; G06Q 20/123;
A47F 9/047

See application file for complete search history.

(56) **References Cited**

U.S. PATENT DOCUMENTS

1,848,951 A * 3/1932 Haynes G09F 13/04
40/555
D279,201 S * 6/1985 Shuman D20/10
D310,359 S * 9/1990 Inukai D14/374
D398,653 S * 9/1998 Hiraguchi D20/10
D455,788 S * 4/2002 Gentelia D20/10

D461,785 S * 8/2002 Wilmotte D14/126
D472,223 S * 3/2003 Wilmotte D14/126
D639,086 S * 6/2011 Curbbun D20/10
D639,800 S * 6/2011 Magruder D14/307
D646,269 S * 10/2011 Crick, Jr. D14/307
D671,535 S * 11/2012 Terashima D14/307
D700,901 S * 3/2014 Giglio D14/129

(Continued)

OTHER PUBLICATIONS

Peerless-AV digital menu board, Published date unavailable [online], [retrieved on Jun. 22, 2021]. Retrieved from the Internet: <https://www.peerless-av.com/products/kof-xhb> (Year: 2021).*

(Continued)

Primary Examiner — Christian P. McLean

Assistant Examiner — Adam C Mager

(57) **CLAIM**

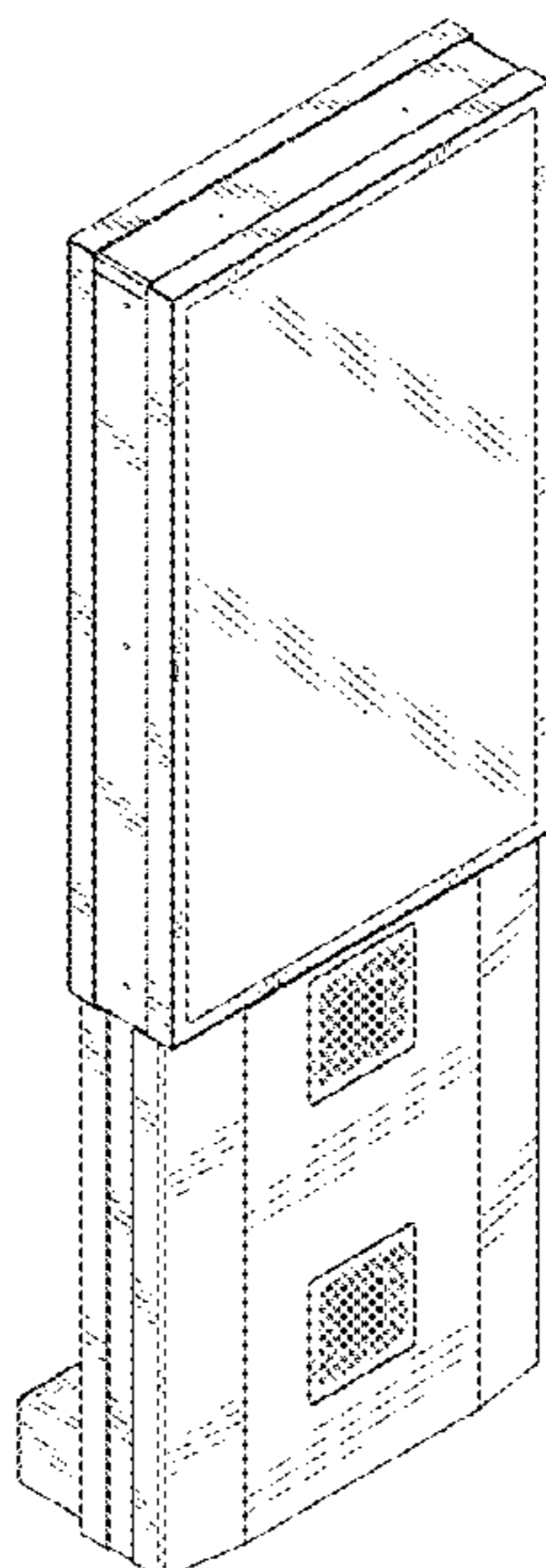
The ornamental design for a pedestal digital outdoor display, as shown and described.

DESCRIPTION

FIG. 1 is a perspective view of an embodiment thereof; FIG. 2 is a first side view of the embodiment of FIG. 1; FIG. 3 is a second side view of the embodiment of FIG. 1; FIG. 4 is a front view of the embodiment of FIG. 1; FIG. 5 is a back view of the embodiment of FIG. 1; FIG. 6 is a top view of the embodiment of FIG. 1; FIG. 7 is a bottom view of the embodiment of FIG. 1; FIG. 8 is a perspective view of a second embodiment thereof; and, FIG. 9 is a front view of the second embodiment viewed in FIG. 8.

First and second side views, a back view, and top and bottom views of the second embodiment viewed in FIG. 8 are not provided because they are the same as FIGS. 2, 3, 5, 6, and 7 respectively.

1 Claim, 7 Drawing Sheets



(56)

References Cited

U.S. PATENT DOCUMENTS

D708,459 S * 7/2014 Heirakuji D6/675
 D708,573 S * 7/2014 Gieniec D13/107
 8,976,313 B2 * 3/2015 Kim G02F 1/133382
 349/58
 D727,995 S * 4/2015 Vilcovsky D16/221
 D728,557 S * 5/2015 Soares D14/307
 D732,015 S * 6/2015 Alekhin D14/307
 D734,074 S * 7/2015 Jouin D6/672
 D739,464 S * 9/2015 Liu D19/113
 D742,455 S * 11/2015 Denby D20/19
 D759,617 S * 6/2016 Soares D14/126
 D776,651 S * 1/2017 Yates D14/307
 D782,467 S * 3/2017 Bladwell D14/307
 D783,596 S * 4/2017 Payne D14/307
 10,485,113 B2 * 11/2019 Dunn G09F 21/04
 D869,412 S * 12/2019 Spencer D14/126
 D869,413 S * 12/2019 Spencer D14/126
 D876,345 S * 2/2020 Mercer D13/107
 10,559,965 B2 * 2/2020 Dunn H05K 5/0086

D885,382 S * 5/2020 Kim D14/371
 D886,096 S * 6/2020 Mangeot D14/307
 D900,221 S * 10/2020 Dance D20/39
 D911,992 S * 3/2021 Stinson D14/126
 D913,276 S * 3/2021 Dunn D14/307
 D920,323 S * 5/2021 Lee D14/307
 2008/0236005 A1 * 10/2008 Isayev G09F 13/04
 40/574
 2010/0079979 A1 * 4/2010 Nakamichi H05K 7/20972
 362/97.1
 2016/0132849 A1 * 5/2016 Melo G06Q 20/3278
 705/57
 2020/0383246 A1 * 12/2020 Lee H05K 7/20209

OTHER PUBLICATIONS

Melitron Digital Signage, Published date unavailable [online], [retrieved on Jun. 22, 2021]. Retrieved from the Internet: <https://www.melitron.com/digital-signage/> (Year: 2021).*

* cited by examiner

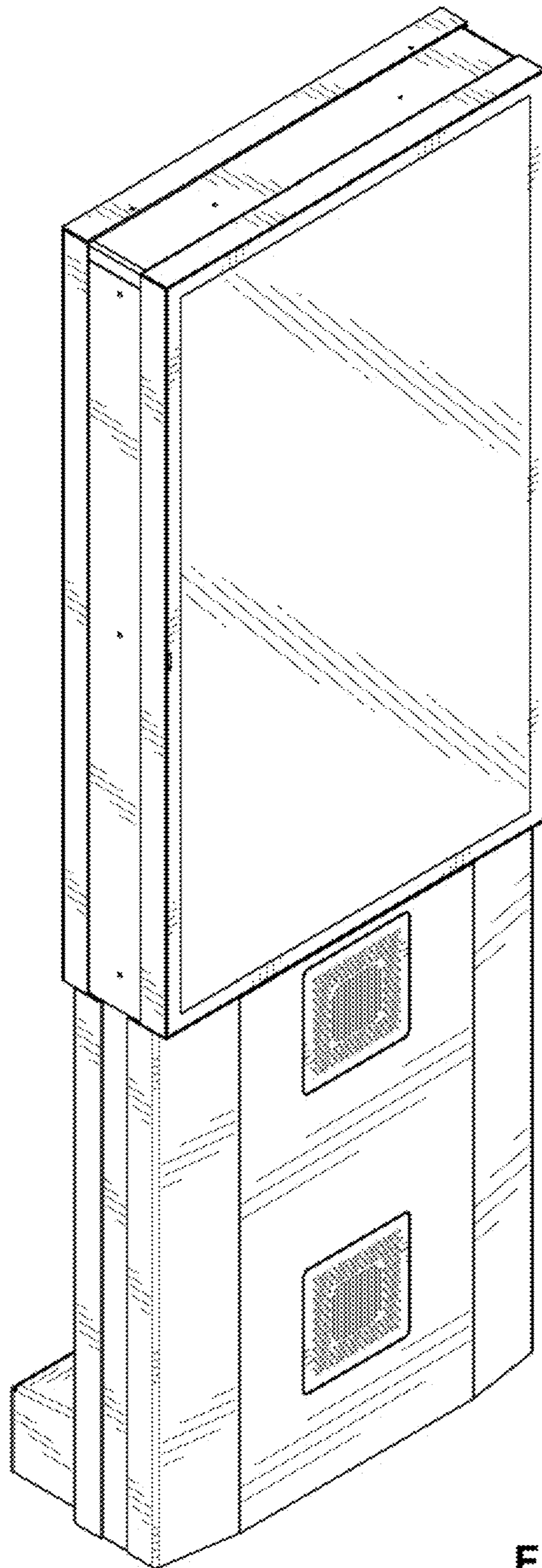


FIG. 1

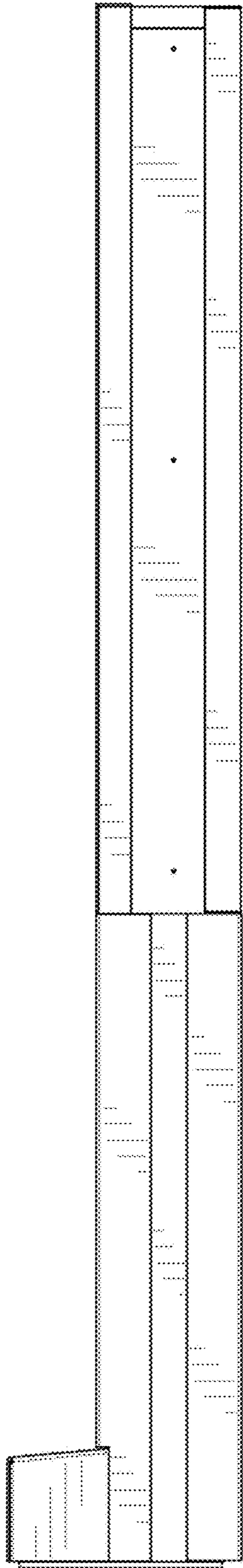


FIG. 2

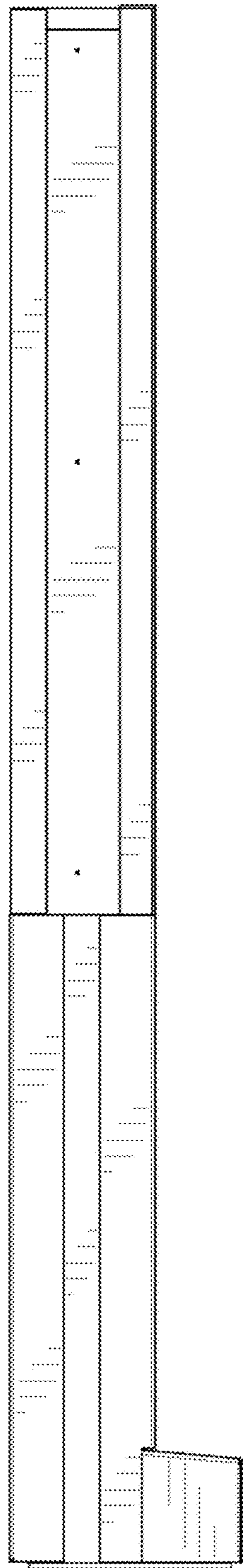


FIG. 3

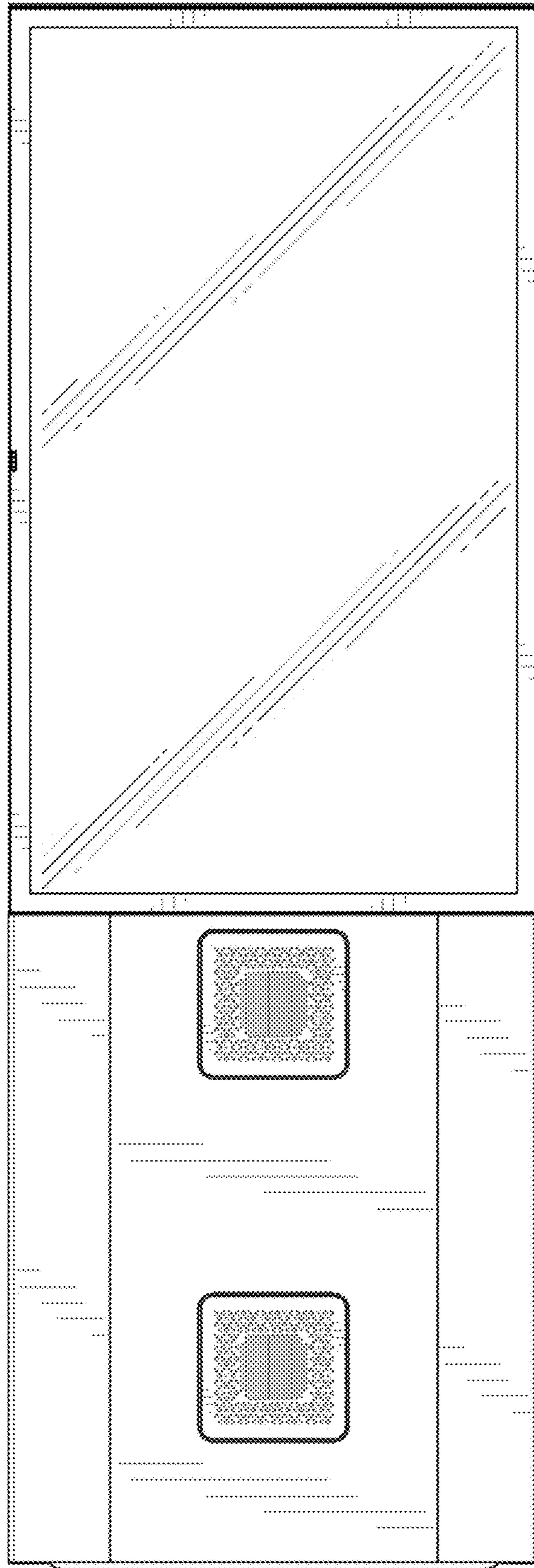


FIG. 4

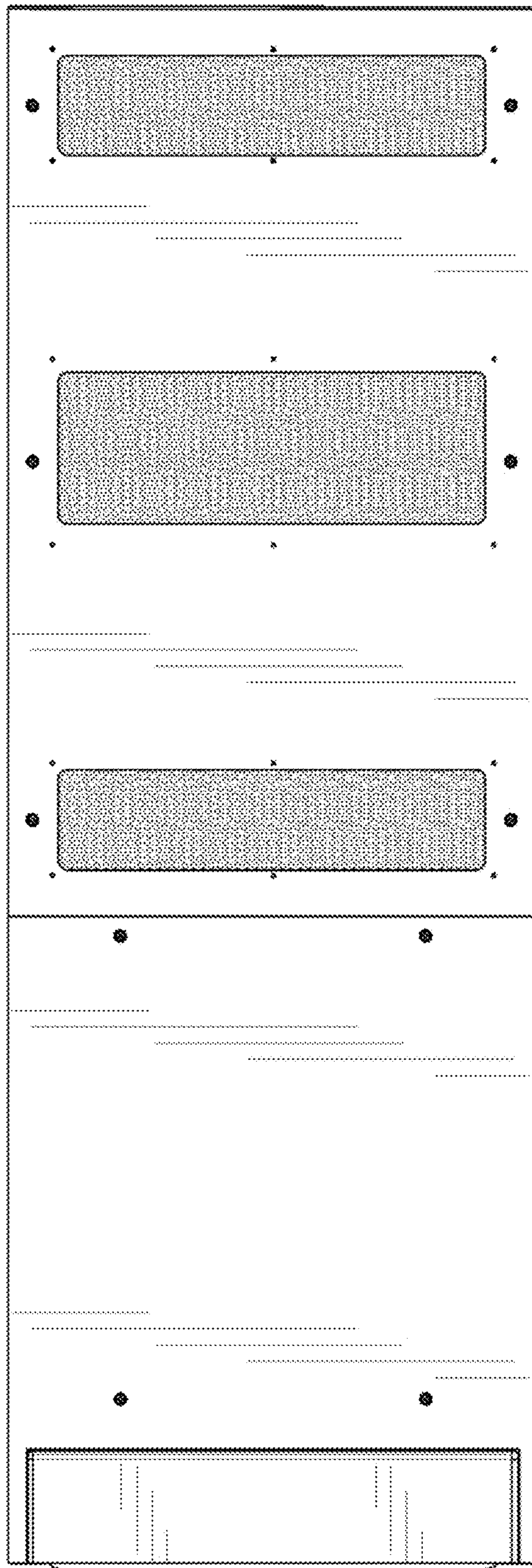


FIG. 5

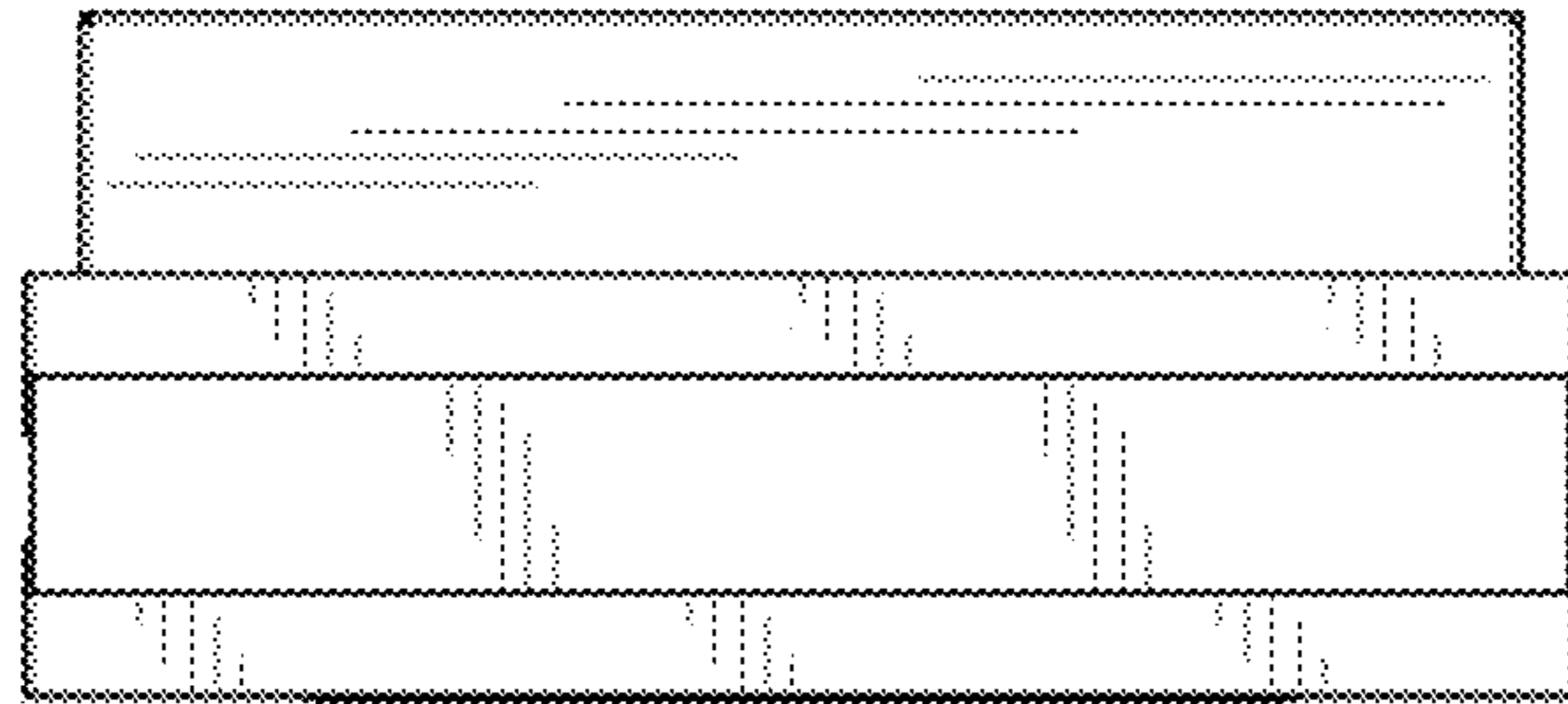


FIG. 6

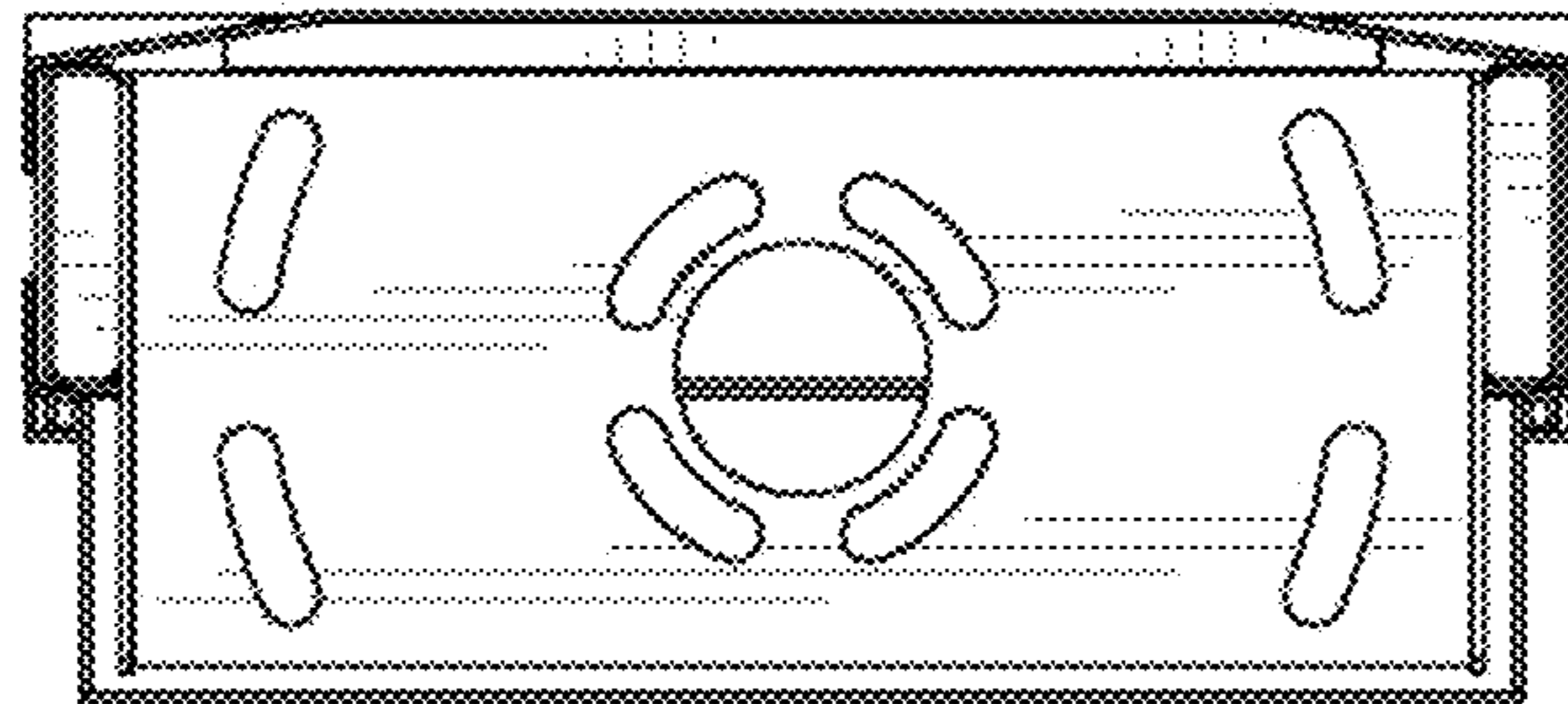


FIG. 7

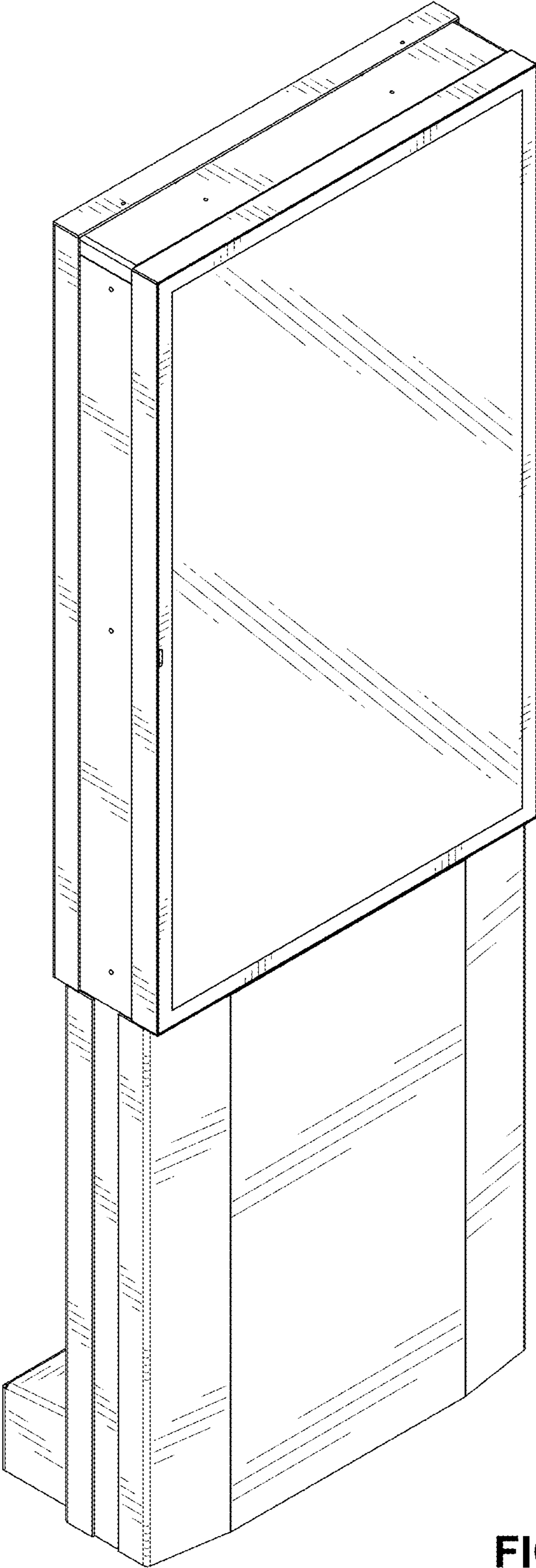


FIG. 8

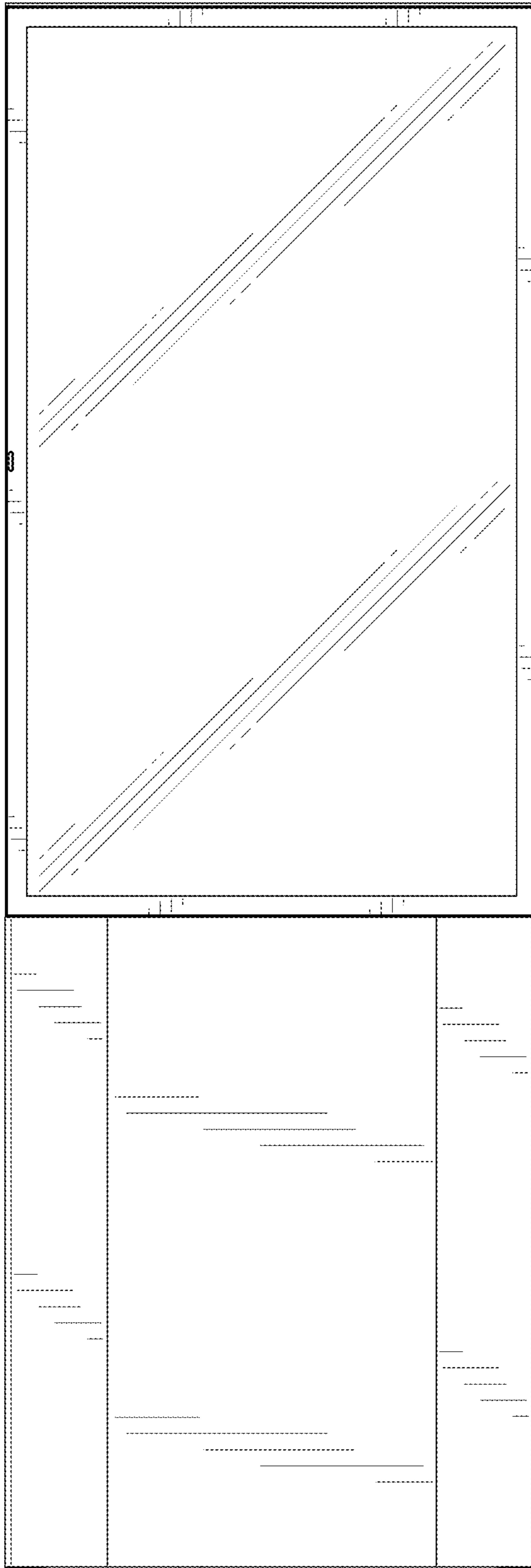


FIG. 9