



US00D935421S

(12) **United States Design Patent** (10) **Patent No.:** **US D935,421 S**
Steele et al. (45) **Date of Patent:** **** Nov. 9, 2021**

(54) **CONTROL CABINET**
(71) Applicant: **Gates Corporation**, Denver, CO (US)
(72) Inventors: **Caitlin Steele**, Denver, CO (US);
Martin K Bauer, Littleton, CO (US);
Victor Robinson, Reno, NV (US)
(73) Assignee: **Gates Coporation**, Denver, CO (US)
(**) Term: **15 Years**

D580,282 S * 11/2008 Bray D10/50
D610,554 S * 2/2010 Lanfear D13/162
D611,005 S * 3/2010 Lanfear D13/162
D611,006 S * 3/2010 Lanfear D13/162
D631,446 S * 1/2011 Lanfear D13/162
D645,428 S * 9/2011 Karlsson D13/199
D777,682 S * 1/2017 Miller D13/164
D830,857 S * 10/2018 Ni D10/40
D843,331 S * 3/2019 Long D13/162
D889,378 S * 7/2020 Long D12/345
D890,076 S * 7/2020 Long D12/345

* cited by examiner

(21) Appl. No.: **29/703,547**
(22) Filed: **Aug. 28, 2019**
(51) **LOC (13) Cl.** **13-03**
(52) **U.S. Cl.**
USPC **D13/162**
(58) **Field of Classification Search**
USPC D13/158, 162, 164, 165, 169, 170, 171,
D13/173, 174, 177, 184, 199, 125, 160;
D8/353; D10/106.6, 106.8
CPC H01H 3/02; H01H 3/0213; H01H 3/12;
H01H 3/122; H01H 9/061; H01H 9/02;
H01H 9/16; H01H 9/18; H01H 9/161;
H01H 9/182; H01H 13/12; H01H 9/181;
H01H 2009/187; H01H 23/00; H05B
39/088
See application file for complete search history.

Primary Examiner — Rosemary K Tarca
Assistant Examiner — Seth David Kumpf
(74) *Attorney, Agent, or Firm* — Alyssa K. Sandrowitz,
Esq.

(57) **CLAIM**

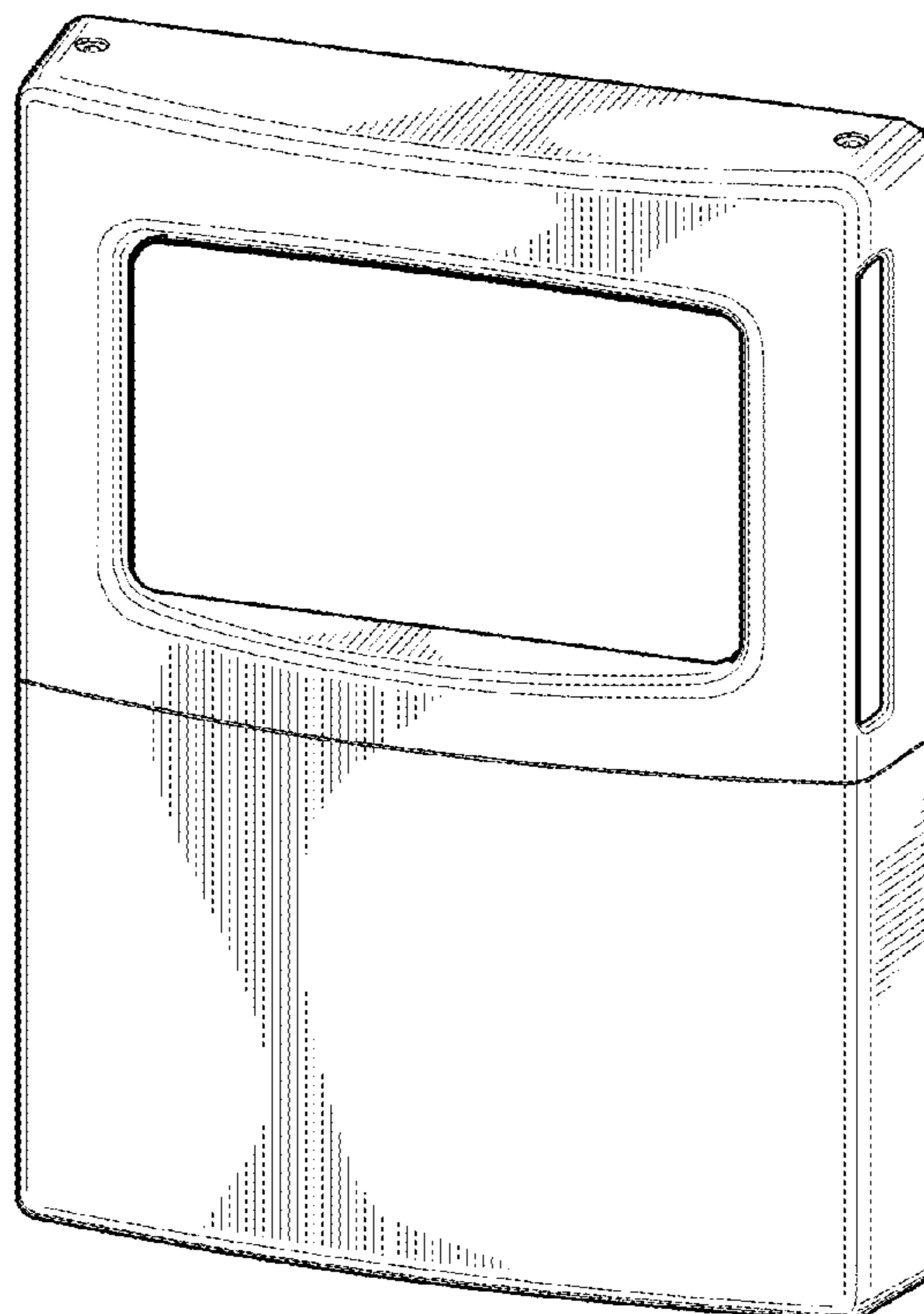
The ornamental design for a control cabinet, as shown and described.

DESCRIPTION

FIG. 1 is a front perspective view.
FIG. 2 is a front elevation view.
FIG. 3 is a back elevation view.
FIG. 4 is a right side elevation view.
FIG. 5 is a left side elevation view.
FIG. 6 is a bottom plan view; and,
FIG. 7 is a top plan view.
The broken lines shown in the drawings are for the purpose of illustrating portions of the control cabinet that form no part of the claimed design.

(56) **References Cited**
U.S. PATENT DOCUMENTS
D507,243 S * 7/2005 Miller D13/162
D538,234 S * 3/2007 Aupperle D13/158

1 Claim, 2 Drawing Sheets



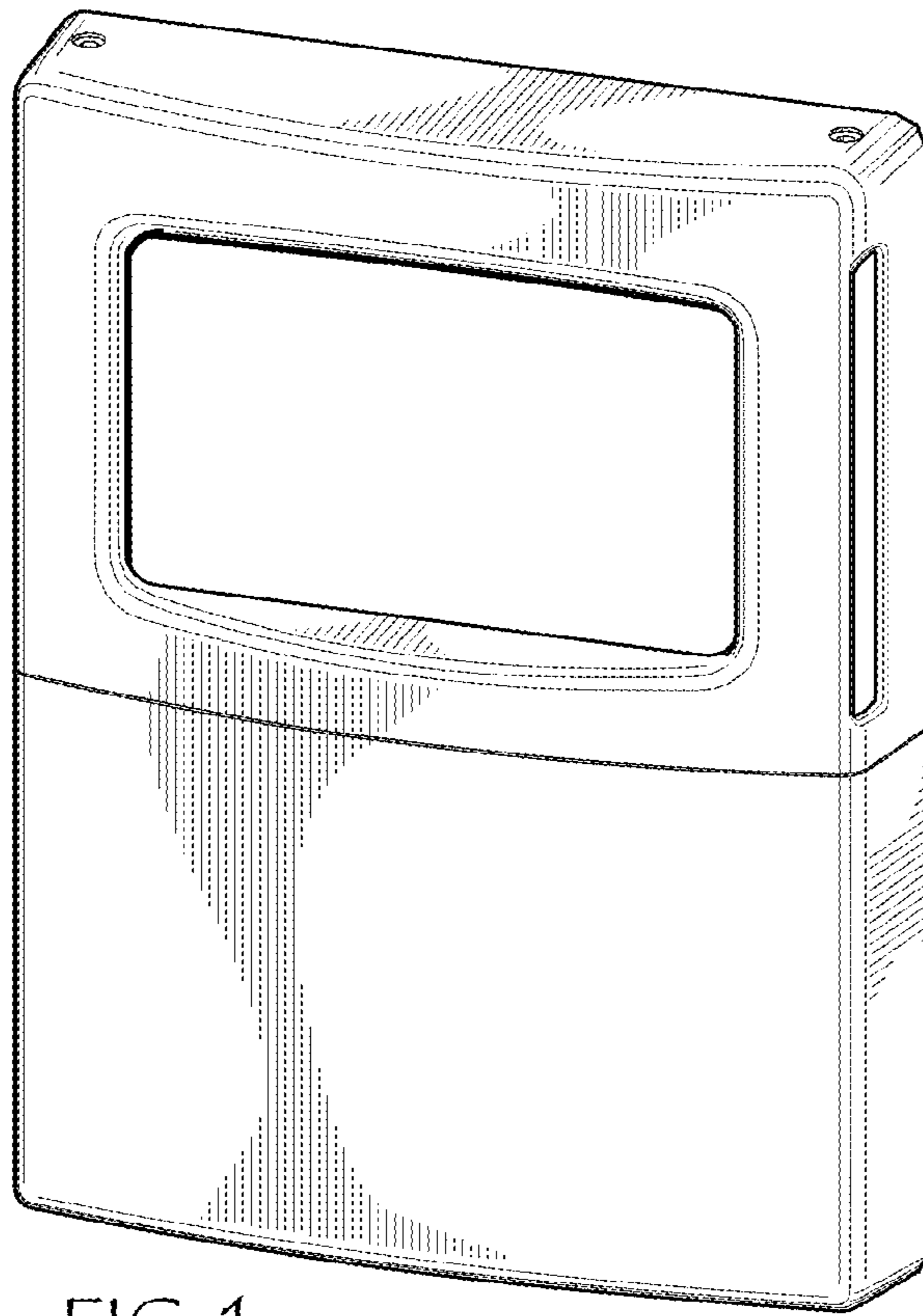


FIG. 1

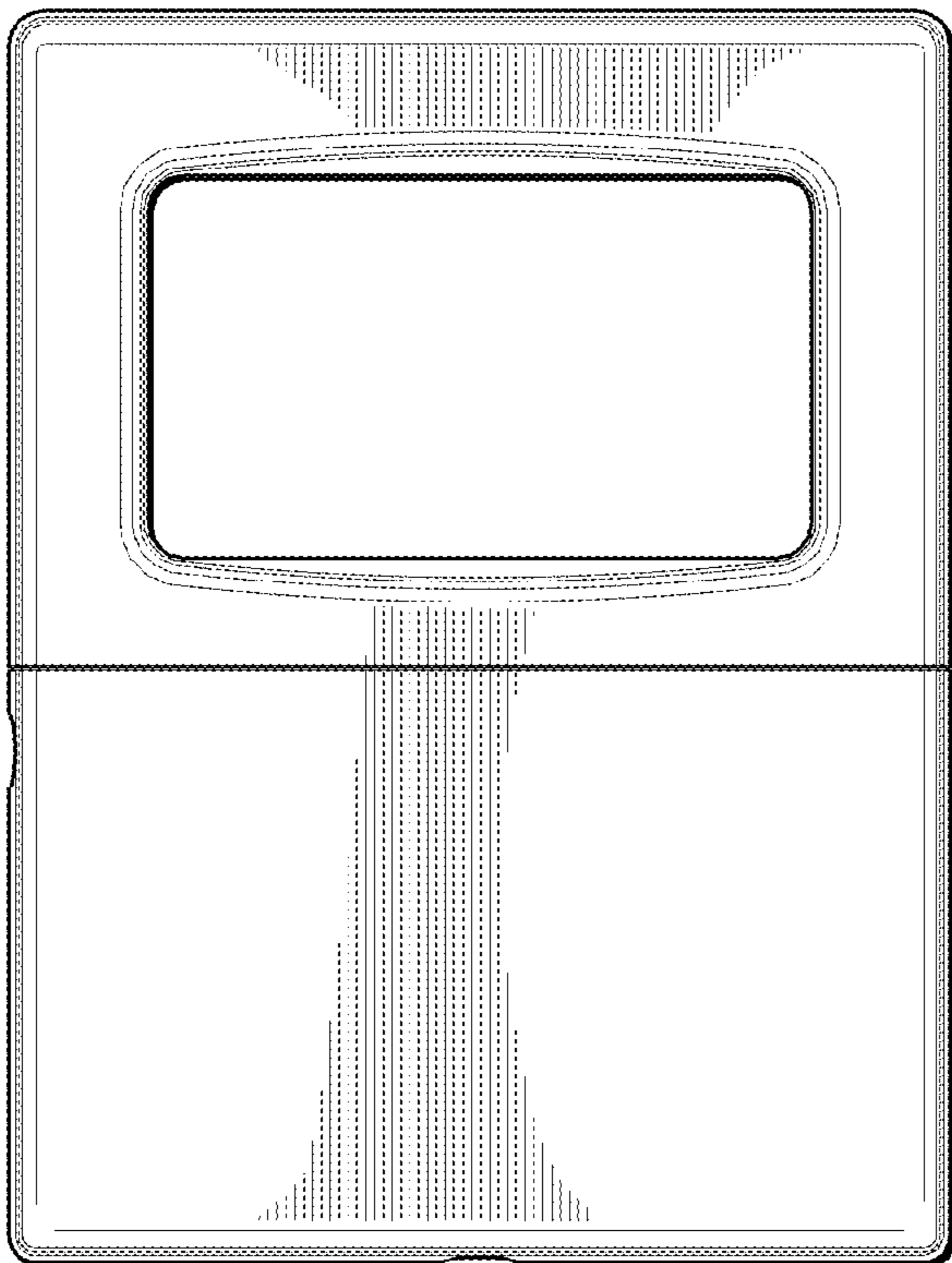


FIG. 2

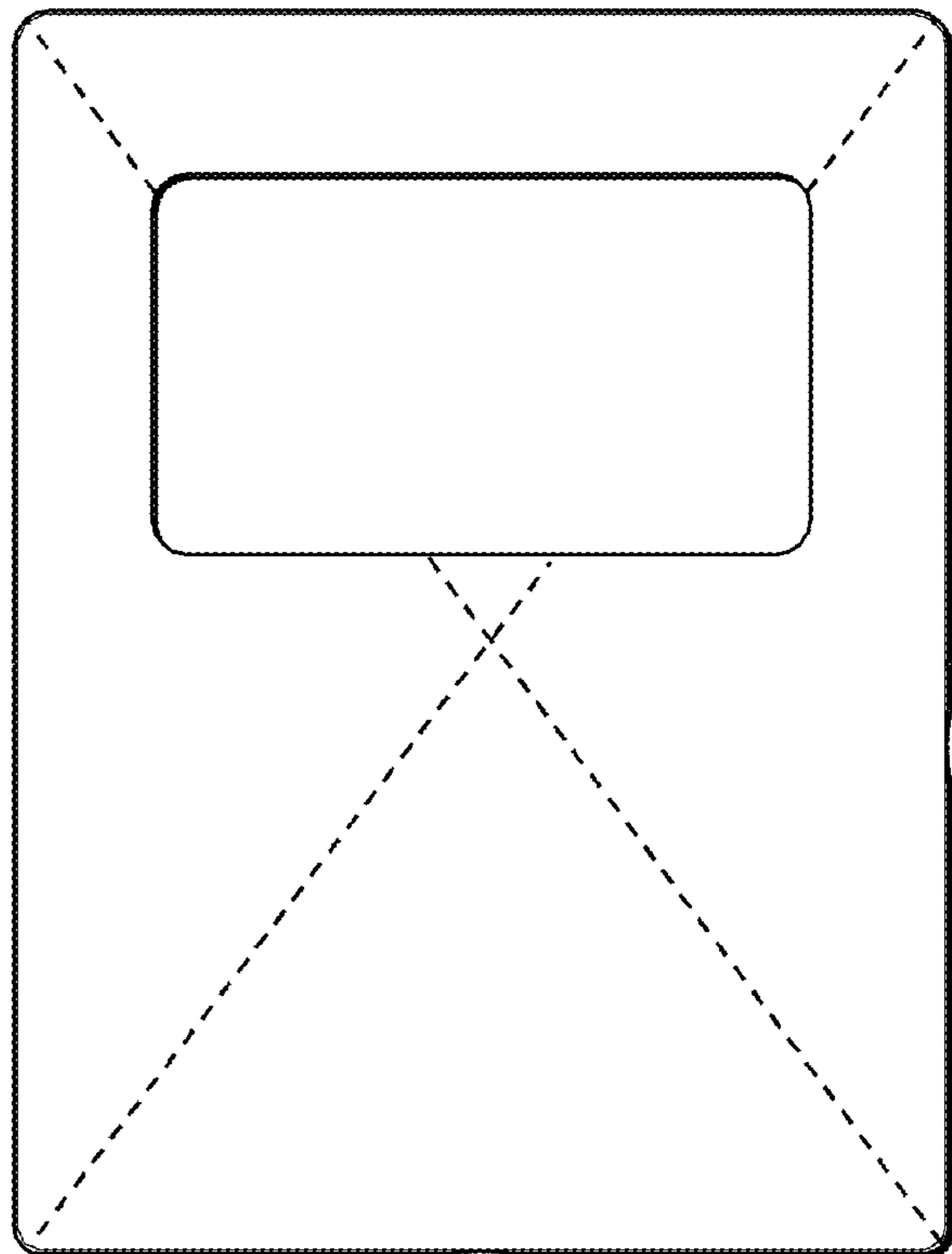


FIG. 3

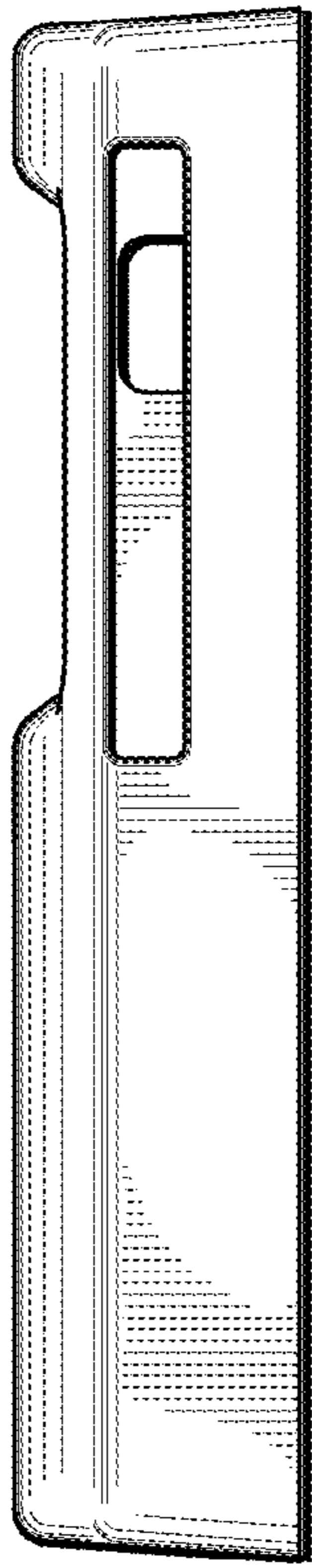


FIG. 4

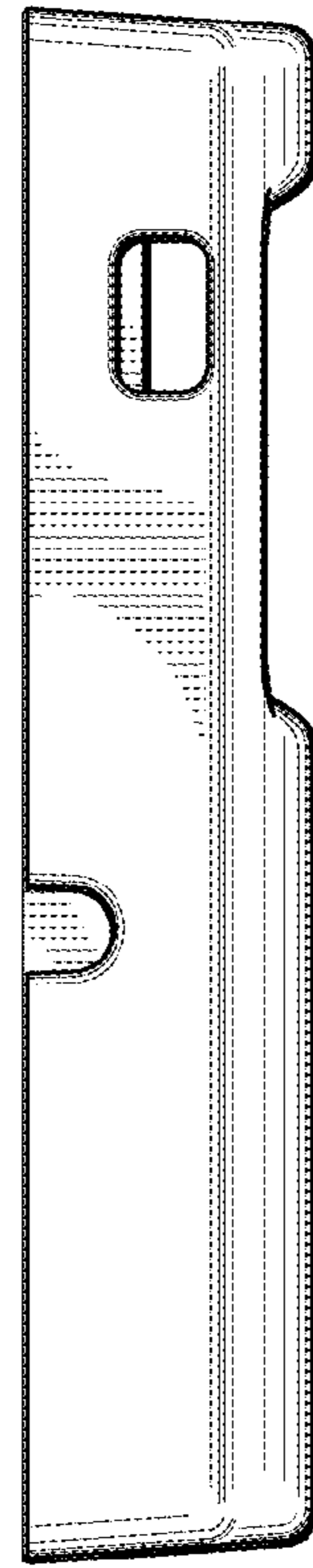


FIG. 5

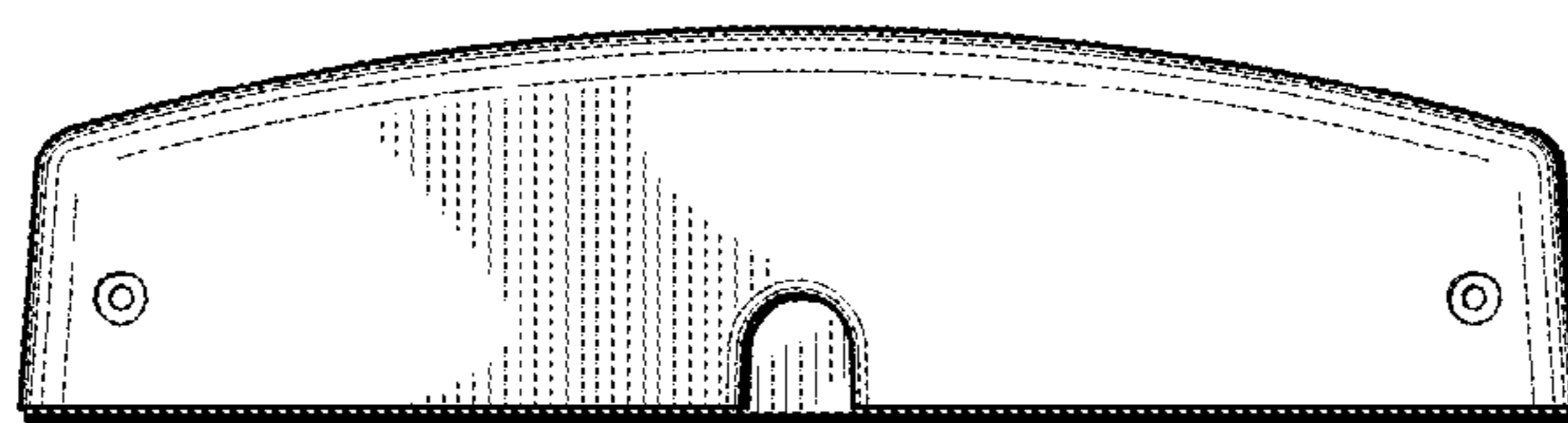


FIG. 6

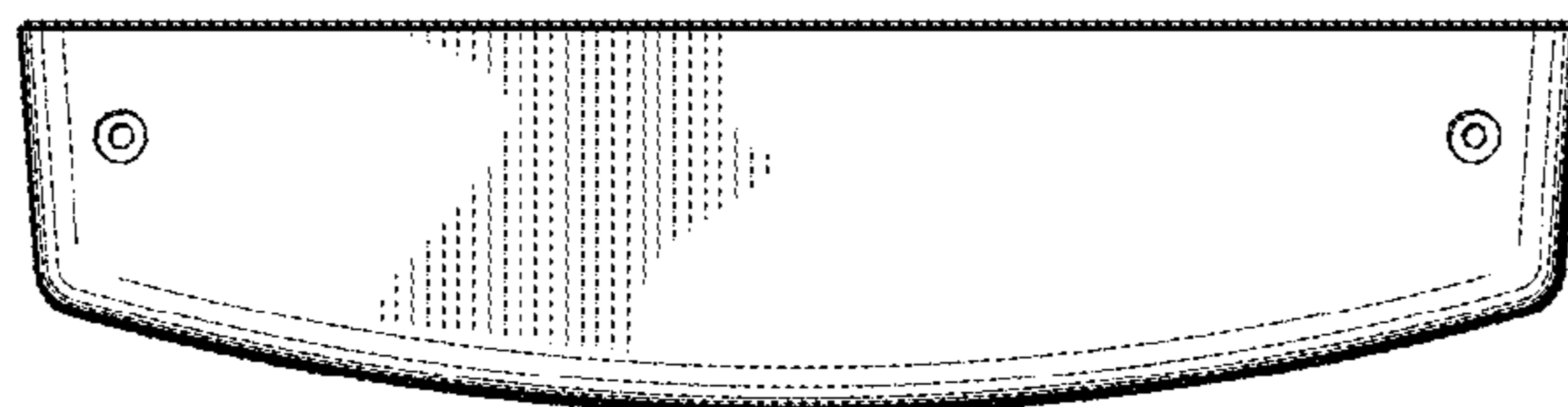


FIG. 7