



US00D935418S

(12) **United States Design Patent** (10) **Patent No.:** **US D935,418 S**
Zhang (45) **Date of Patent:** **** Nov. 9, 2021**

(54) **HDMI CABLE CONNECTOR**
(71) Applicant: **Xiaolong Zhang**, Shenzhen (CN)
(72) Inventor: **Xiaolong Zhang**, Shenzhen (CN)
(**) Term: **15 Years**

D815,600 S * 4/2018 Matsuoka D13/147
D846,548 S * 4/2019 Wilson D14/433
D908,705 S * 1/2021 Wu D14/433
2009/0203266 A1 * 8/2009 Chuang H01R 13/6666
439/701
2020/0350724 A1 * 11/2020 Tai H01R 13/514

(21) Appl. No.: **29/744,585**
(22) Filed: **Jul. 30, 2020**

(30) **Foreign Application Priority Data**

Jul. 16, 2020 (EM) 008041693-0002

(51) **LOC (13) Cl.** **13-03**
(52) **U.S. Cl.**
USPC **D13/147; D14/433**

(58) **Field of Classification Search**
USPC D13/110, 118, 123, 133, 146, 147,
D13/152-154, 156, 173, 184, 199;
D14/433
CPC A61B 5/00; H01R 13/03; H01R 13/44;
H01R 13/514; H01R 13/53; H01R
13/648; H01R 13/658; H01R 13/66;
H01R 24/28

See application file for complete search history.

(56) **References Cited**

U.S. PATENT DOCUMENTS

D491,894 S * 6/2004 Jiang D13/147
D537,776 S * 3/2007 Navarez D13/110
D585,835 S * 2/2009 Jaqua D13/147
D637,158 S * 5/2011 Hu D13/147
D637,159 S 5/2011 Hu
D637,160 S 5/2011 Hu
D644,181 S 8/2011 Hu
D644,182 S * 8/2011 Hu D13/147
D702,645 S * 4/2014 Hori D13/147
D709,454 S * 7/2014 Takamoto D13/147
D743,965 S * 11/2015 Laffon de Mazieres D14/433
D793,344 S * 8/2017 Wang D13/153

OTHER PUBLICATIONS

4K HDMI Cable, Snowkids High Speed HDMI 2.0 Cable, dated Apr. 23, 2020, [online], [site visited Jan. 7, 2021]. Available from Internet, URL: <https://www.amazon.com/Snowkids-Ethernet-Braided-Compatible-Projector/dp/B087JHXTDN?th=1> (Year: 2020).
4K 60HZ HDMI Cable 6.6FT,Highwings 18Gbps High Speed HDMI 2.0 Braided Cord-Supports, dated Jun. 20, 2019, [online], [site visited Mar. 30, 2015]. Available from Internet, URL: <https://www.amazon.com/dp/B07TDH11BJ> (Year: 2019).*

* cited by examiner

Primary Examiner — Shawn T Gingrich

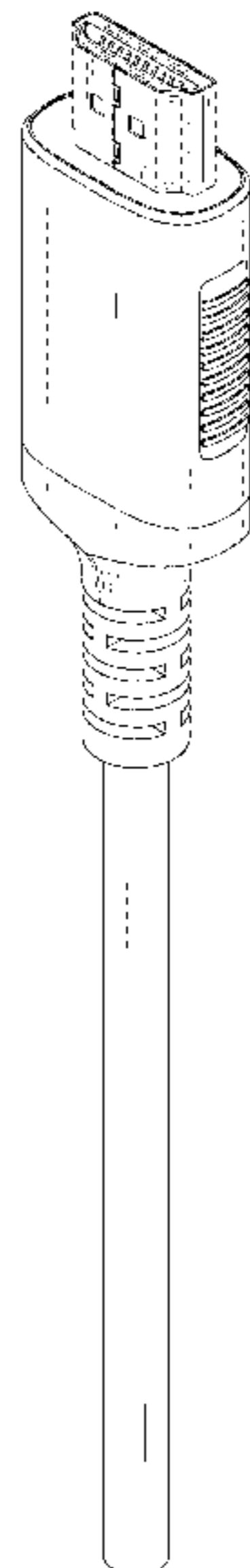
(57) **CLAIM**

The ornamental design for a HDMI cable connector, as shown and described.

DESCRIPTION

FIG. 1 is a first perspective view of a HDMI cable connector showing my new design;
FIG. 2 is a second perspective view thereof;
FIG. 3 is a front view thereof;
FIG. 4 is a back view thereof;
FIG. 5 is a left side view thereof;
FIG. 6 is a right side view thereof;
FIG. 7 is a top view thereof;
FIG. 8 is a bottom view thereof; and,
FIG. 9 is an overall enlarged view of FIG. 2.
The broken lines shown in the drawings depict portions of the HDMI cable connector in which the design is embodied that form no part of the claimed design.

1 Claim, 9 Drawing Sheets



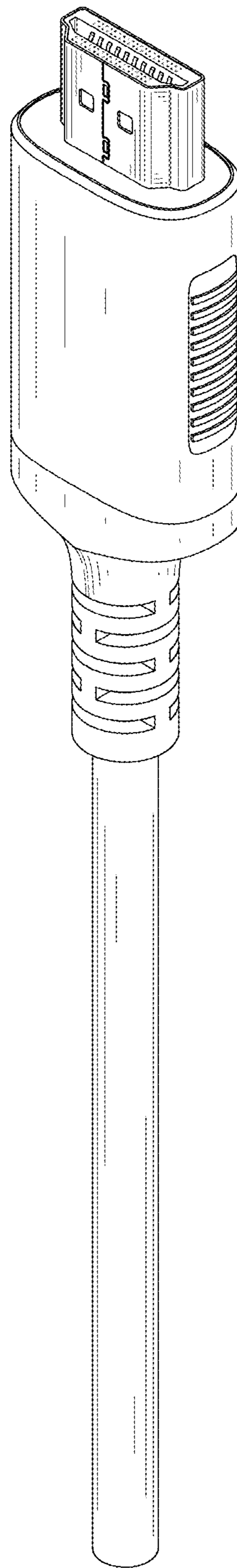


FIG. 1

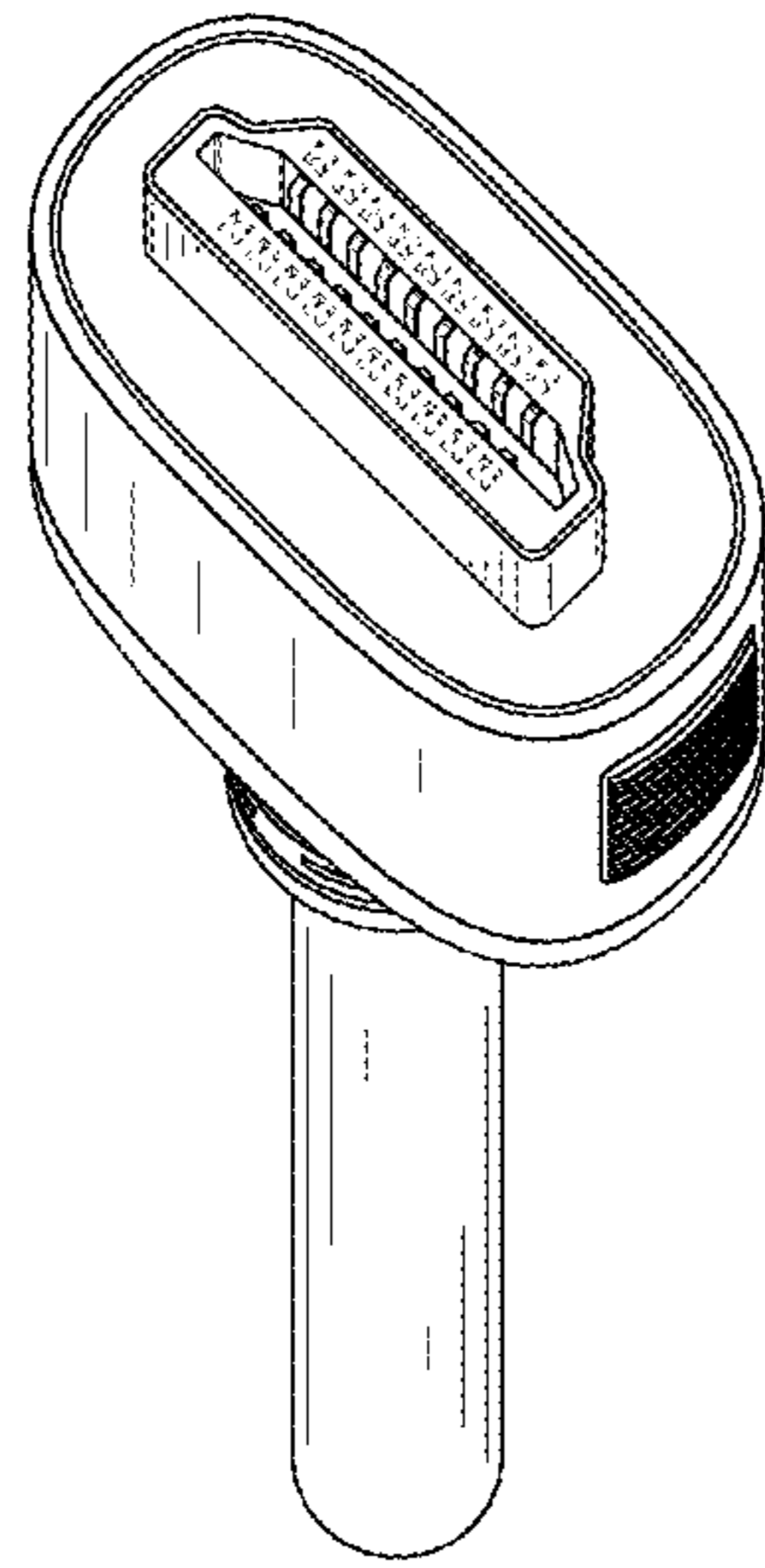


FIG. 2

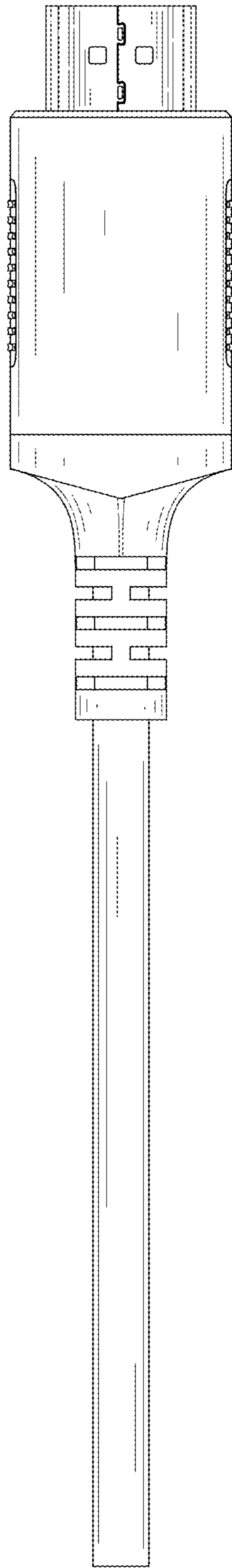


FIG. 3

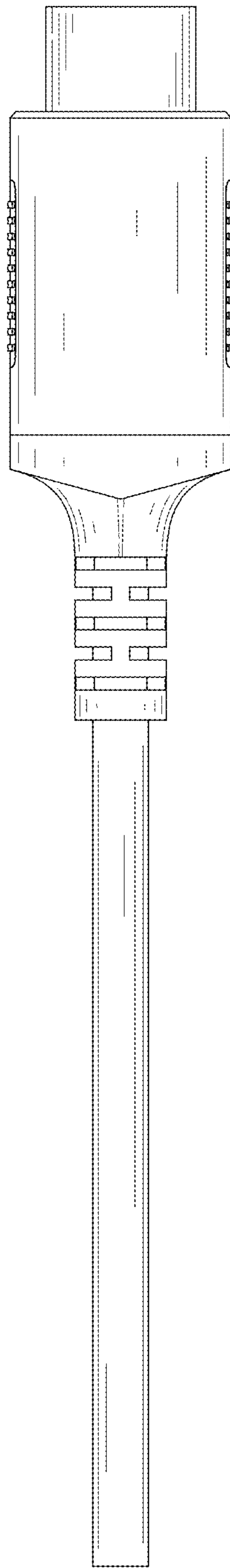


FIG. 4

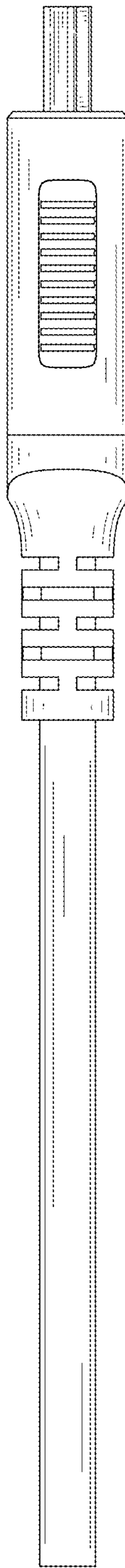


FIG. 5

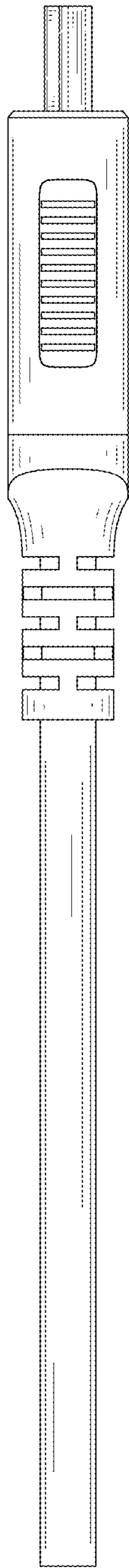


FIG. 6

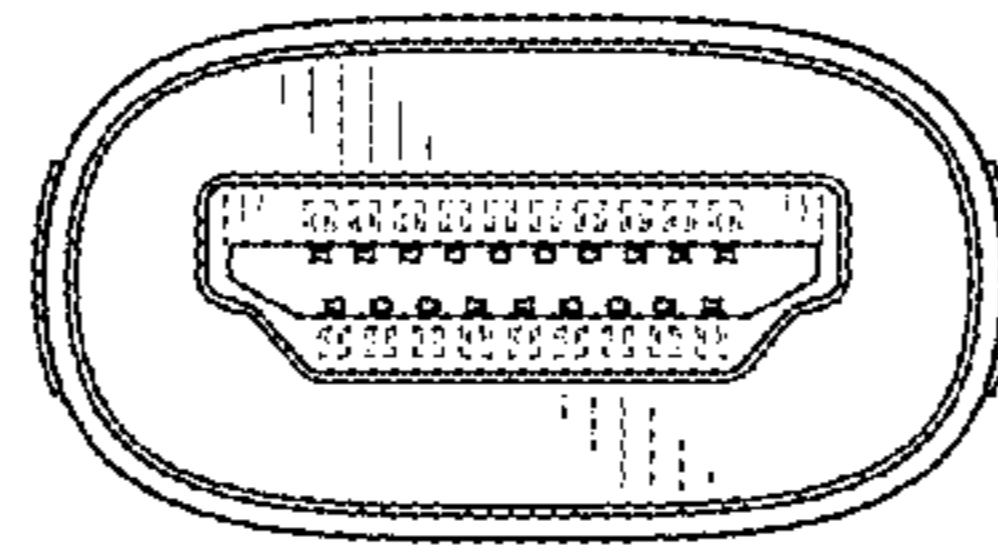


FIG. 7

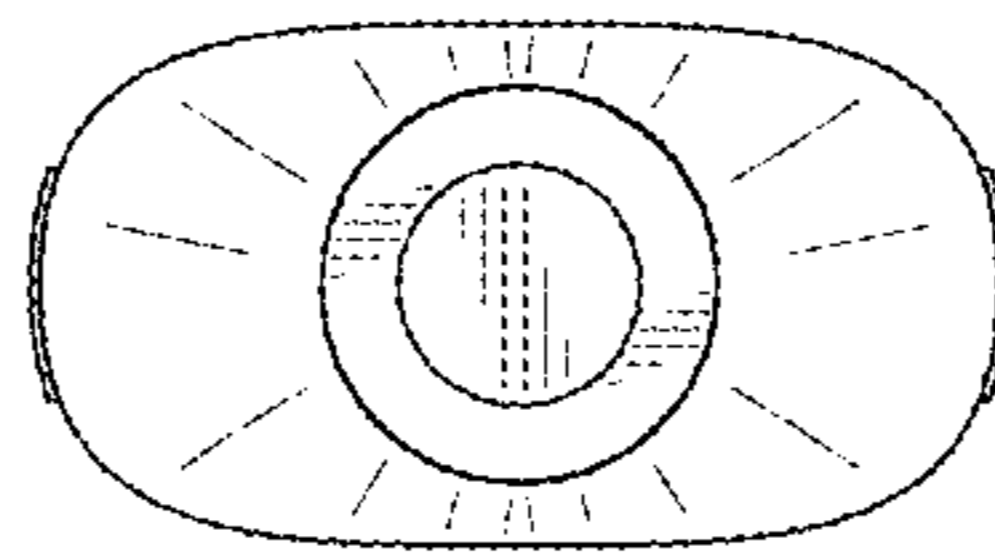


FIG. 8

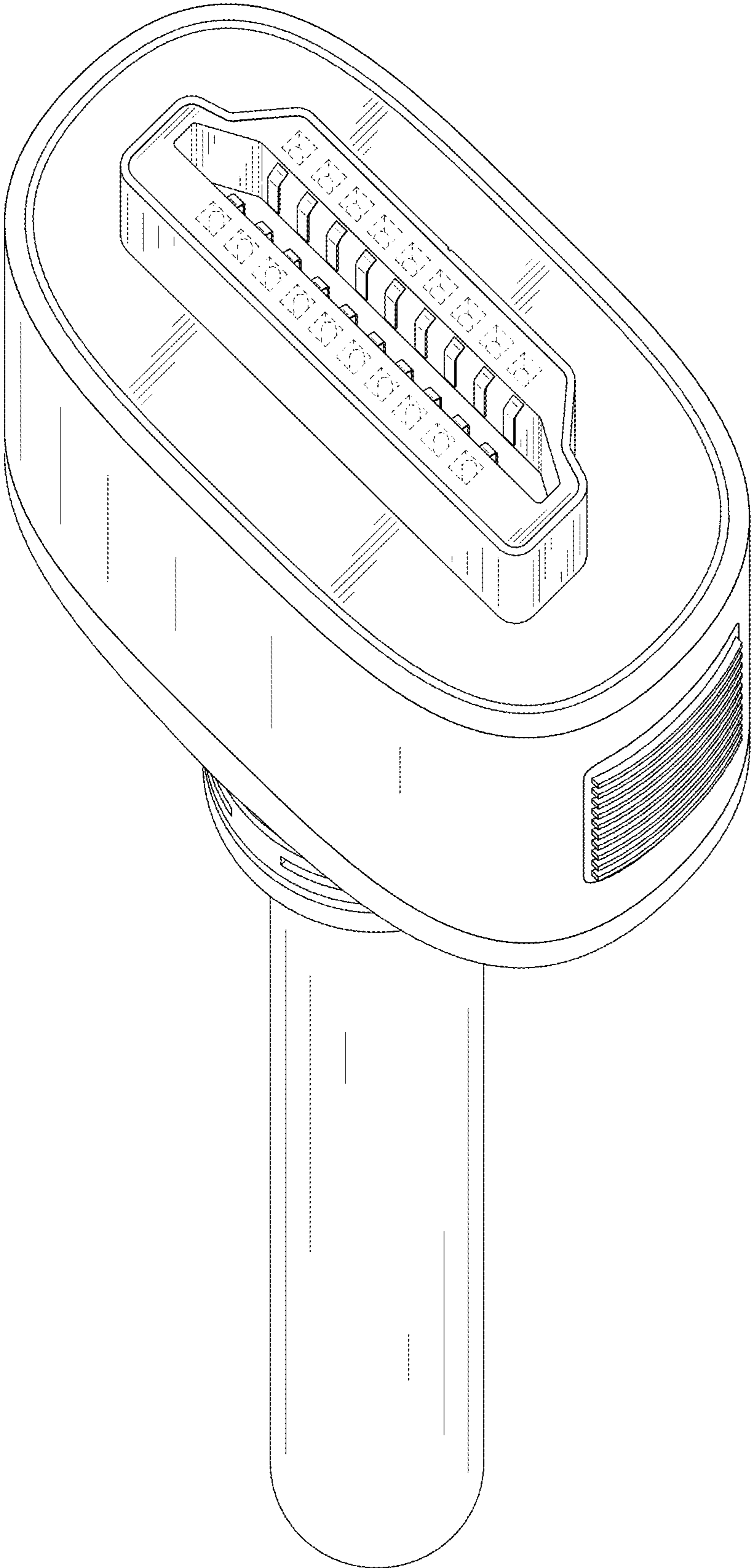


FIG. 9