



US00D935415S

(12) **United States Design Patent**
Lyu et al.

(10) **Patent No.:** **US D935,415 S**
(45) **Date of Patent:** **** Nov. 9, 2021**

- (54) **POWER STRIP**
- (71) Applicant: **Guiming Wang**, Liaoyuan (CN)
- (72) Inventors: **Shaopeng Lyu**, Shantou (CN);
Guiming Wang, Liaoyuan (CN)
- (73) Assignee: **Guiming Wang**, Liaoyuan (CN)
- (**) Term: **15 Years**
- (21) Appl. No.: **29/746,680**
- (22) Filed: **Aug. 16, 2020**
- (51) **LOC (13) Cl.** **13-03**
- (52) **U.S. Cl.**
USPC **D13/139.8**
- (58) **Field of Classification Search**
USPC D13/139.8, 137.4
CPC H01R 25/00
See application file for complete search history.

7,112,097 B1 *	9/2006	Lam	H01R 25/003 439/654
D640,199 S *	6/2011	Wilson	D13/139.7
D846,500 S *	4/2019	Xu	D13/137.4
D851,599 S *	6/2019	Li	D13/139.8
D858,448 S	9/2019	Zhou		
D871,344 S	12/2019	Lyu		
D872,698 S *	1/2020	Yu	D13/137.4
D881,820 S *	4/2020	Li	D13/139.8
D900,749 S *	11/2020	Bao	D13/137.2
D903,602 S *	12/2020	Nook	D13/137.4

* cited by examiner

Primary Examiner — Charles D Hanson

(57) **CLAIM**

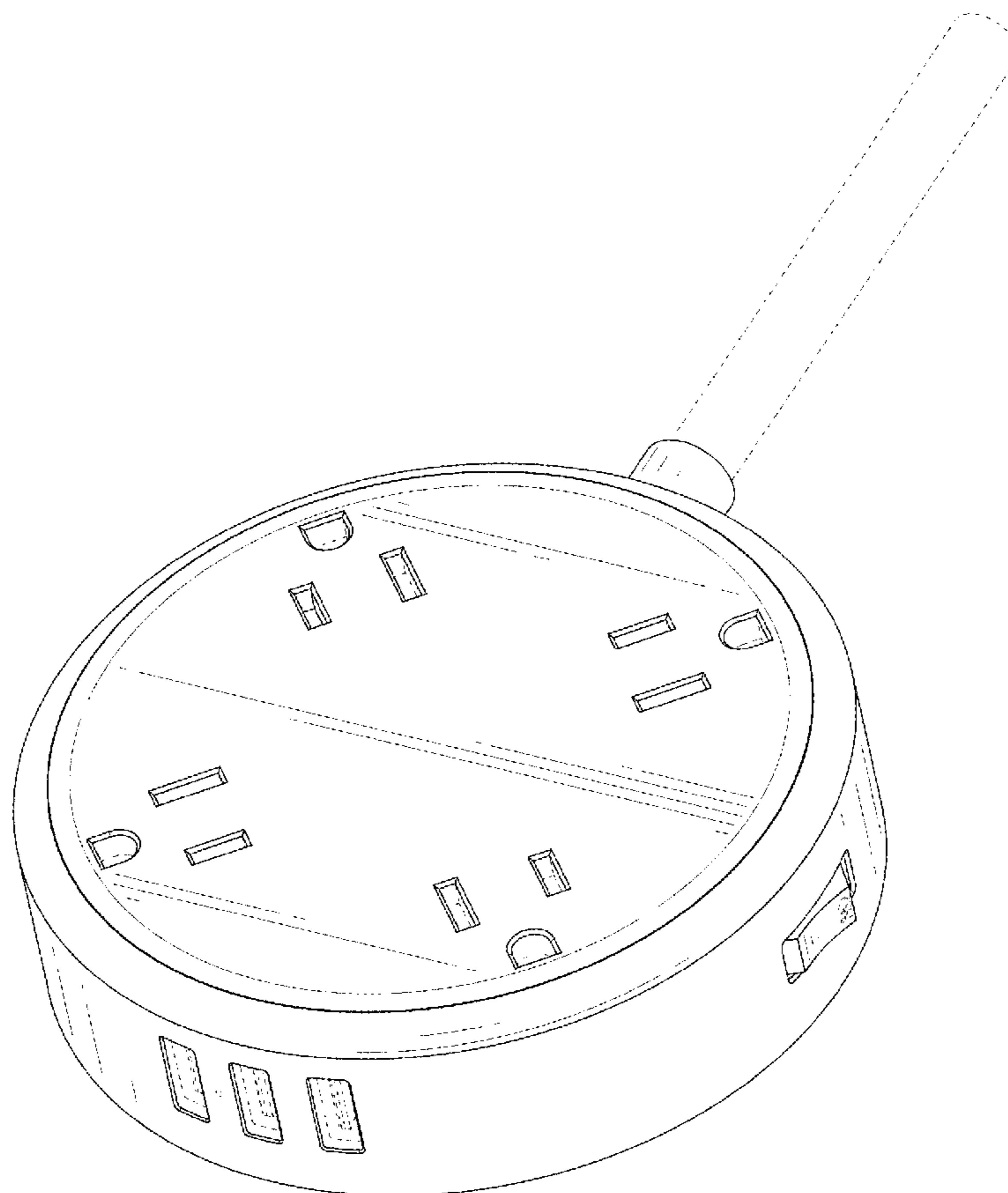
The ornamental design for a power strip, as shown and described.

DESCRIPTION

FIG. 1 is a perspective view of a power strip showing my new design;
 FIG. 2 is another perspective view thereof;
 FIG. 3 is a front elevational view thereof;
 FIG. 4 is a rear elevational view thereof;
 FIG. 5 is a left side elevational view thereof;
 FIG. 6 is a right side elevational view thereof;
 FIG. 7 is a top plan view thereof; and,
 FIG. 8 is a bottom plan view thereof.
 The broken lines in the drawings depict portions of the power strip that form no part of the claimed design.

1 Claim, 8 Drawing Sheets

- (56) **References Cited**
U.S. PATENT DOCUMENTS
- | | | | | |
|--------------|---------|--------------|-------|-----------|
| D443,590 S * | 6/2001 | Vende | | D13/137.4 |
| D459,307 S * | 6/2002 | Nieto | | D13/139.8 |
| D481,009 S * | 10/2003 | Stekelenburg | | D13/137.4 |
| D481,357 S * | 10/2003 | Stekelenburg | | D13/139.8 |
| D482,326 S * | 11/2003 | Stekelenburg | | D13/137.4 |



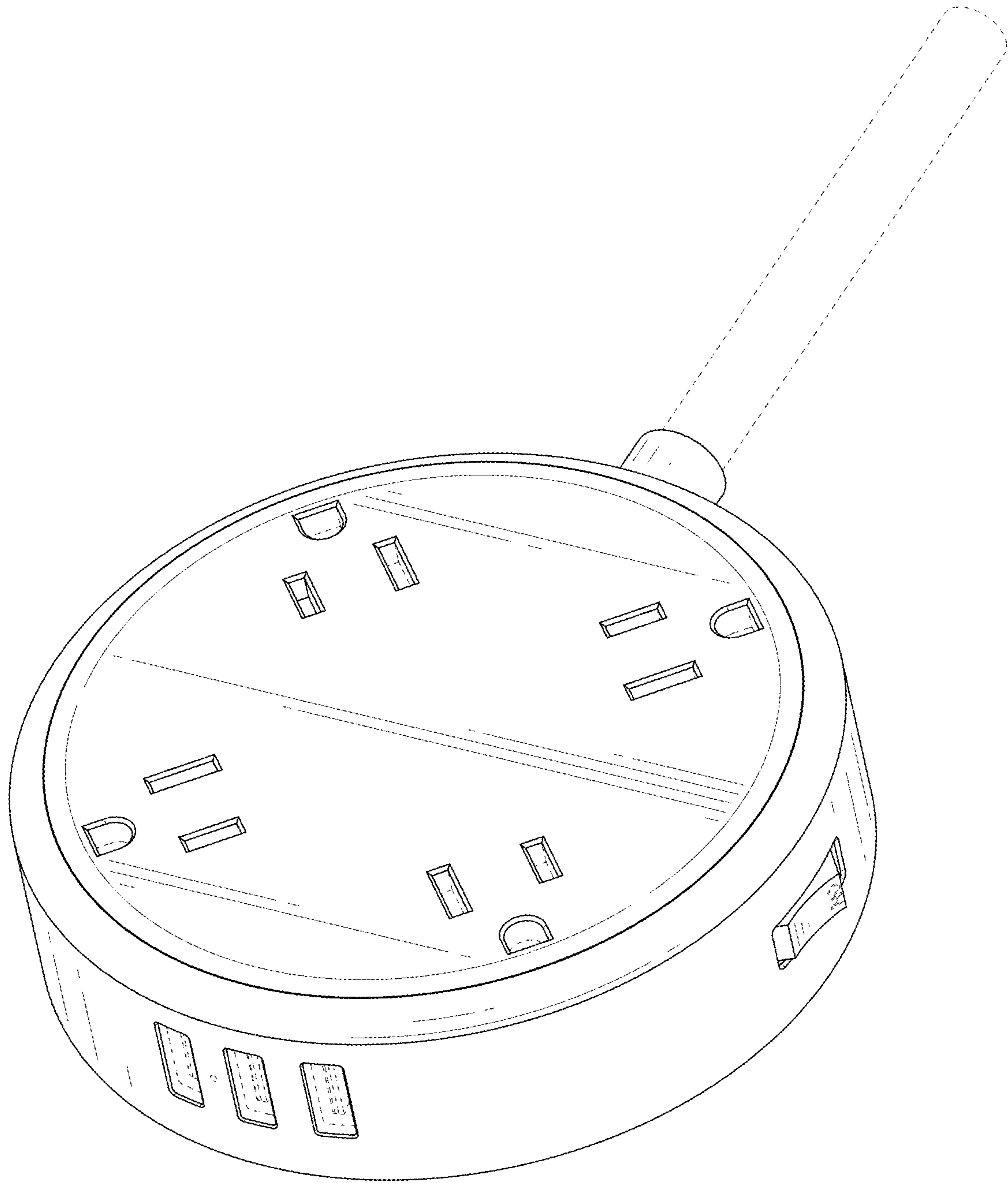


FIG. 1

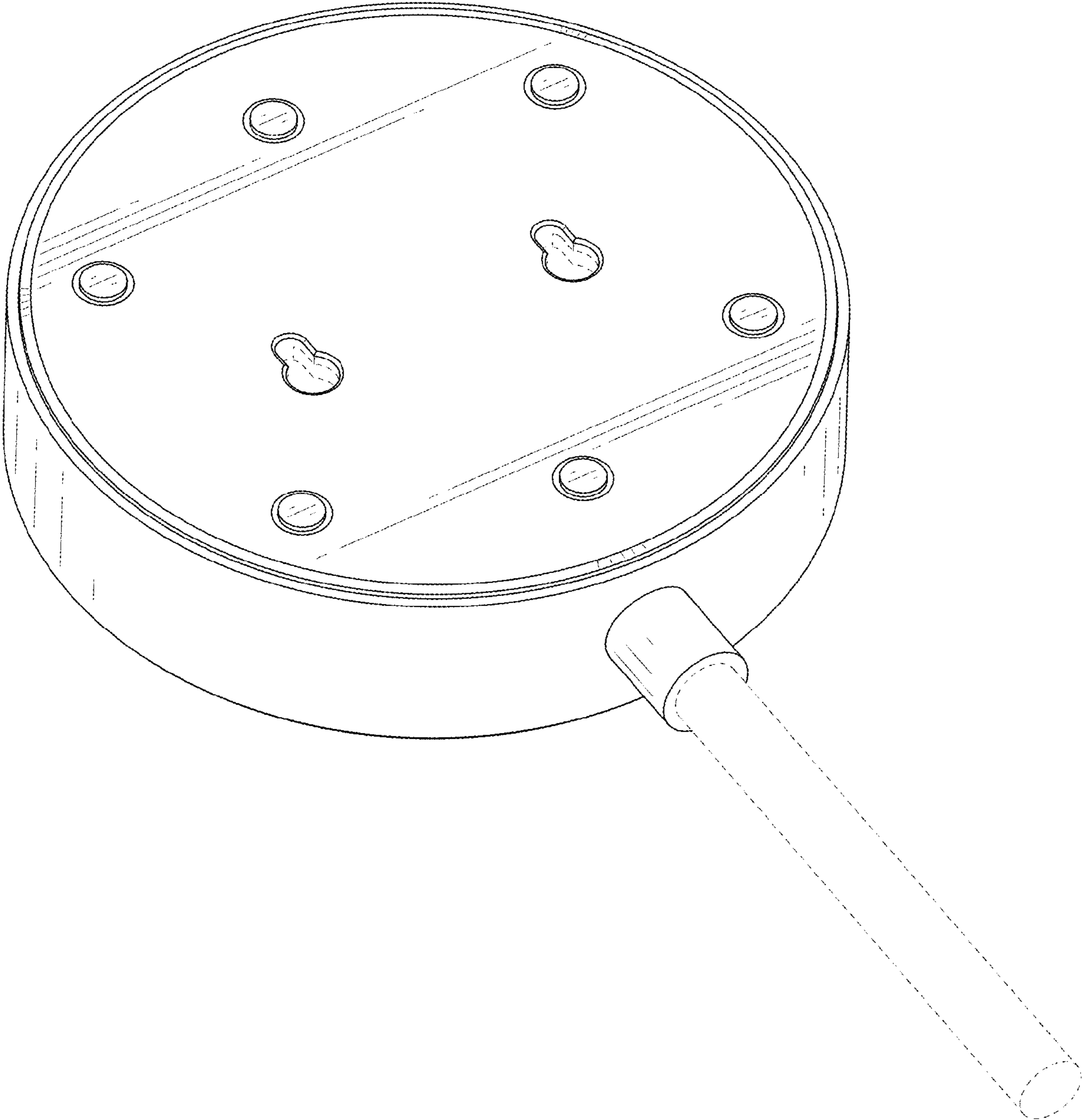


FIG. 2

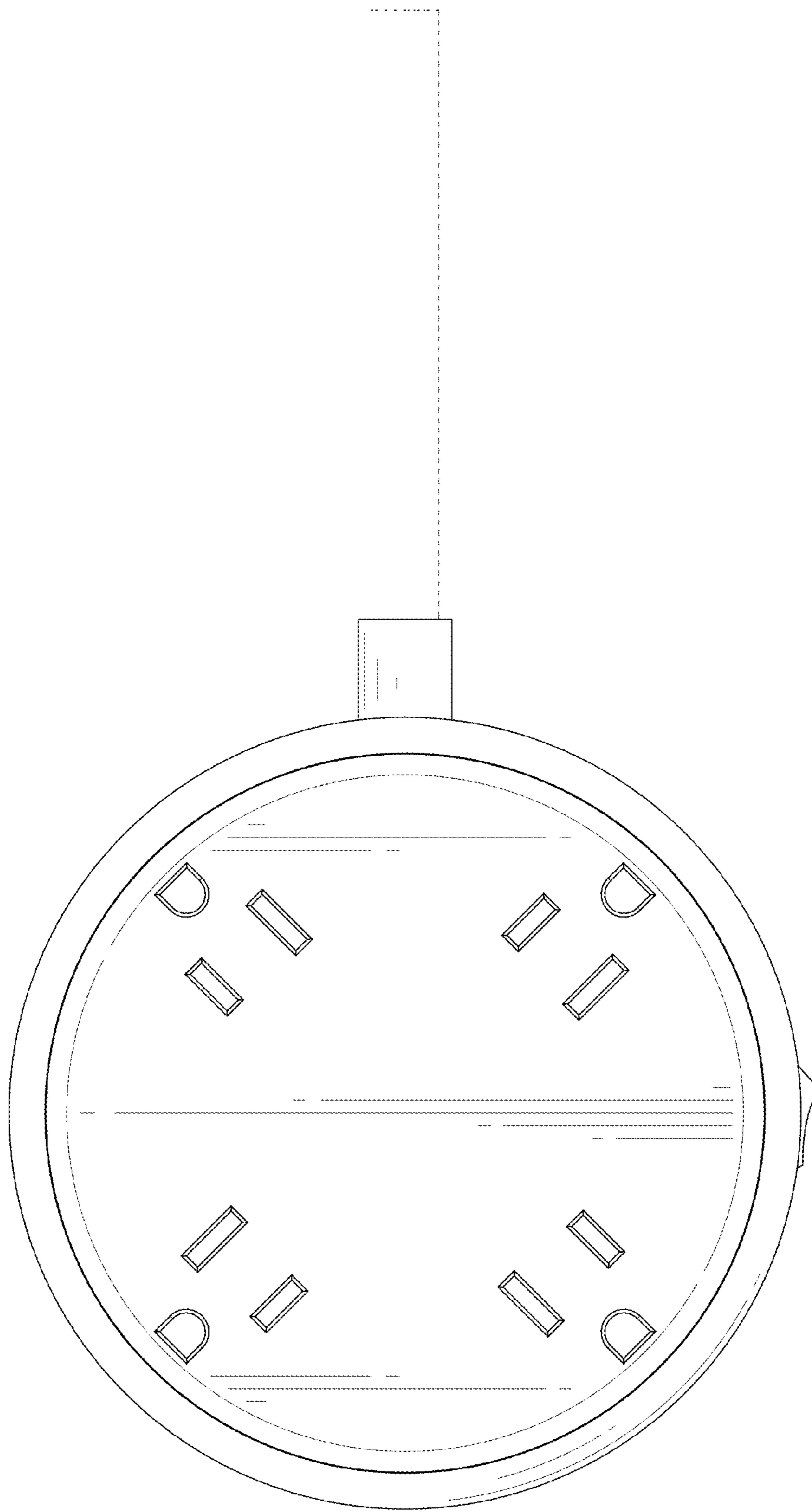


FIG. 3

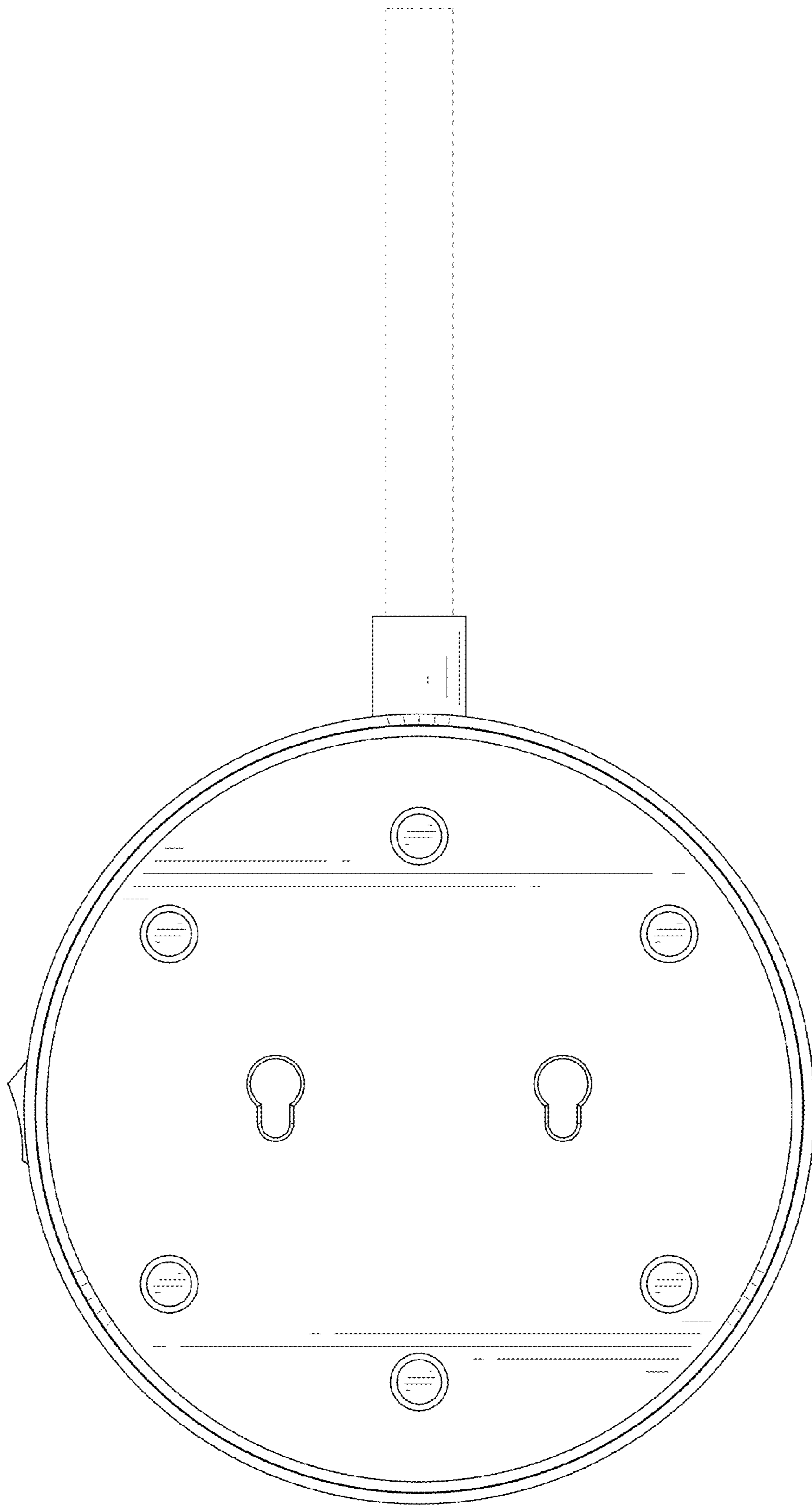


FIG. 4

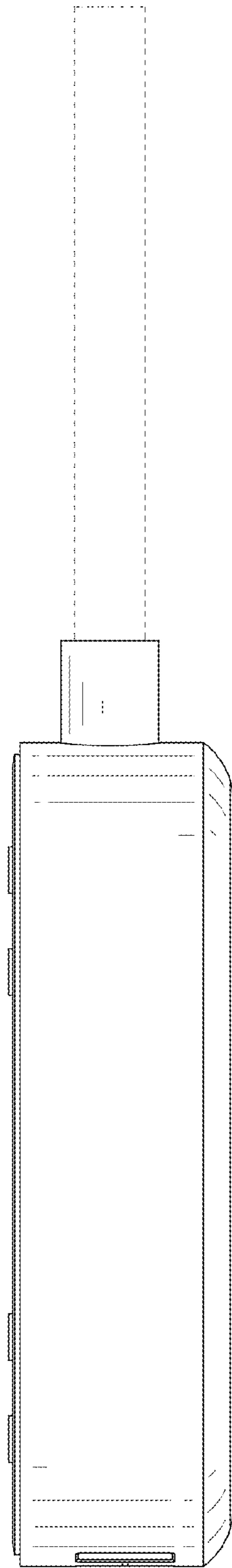


FIG. 5

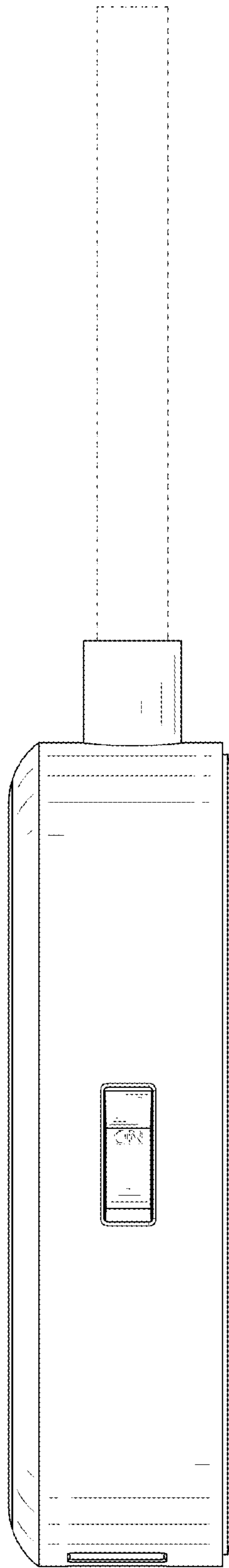


FIG. 6

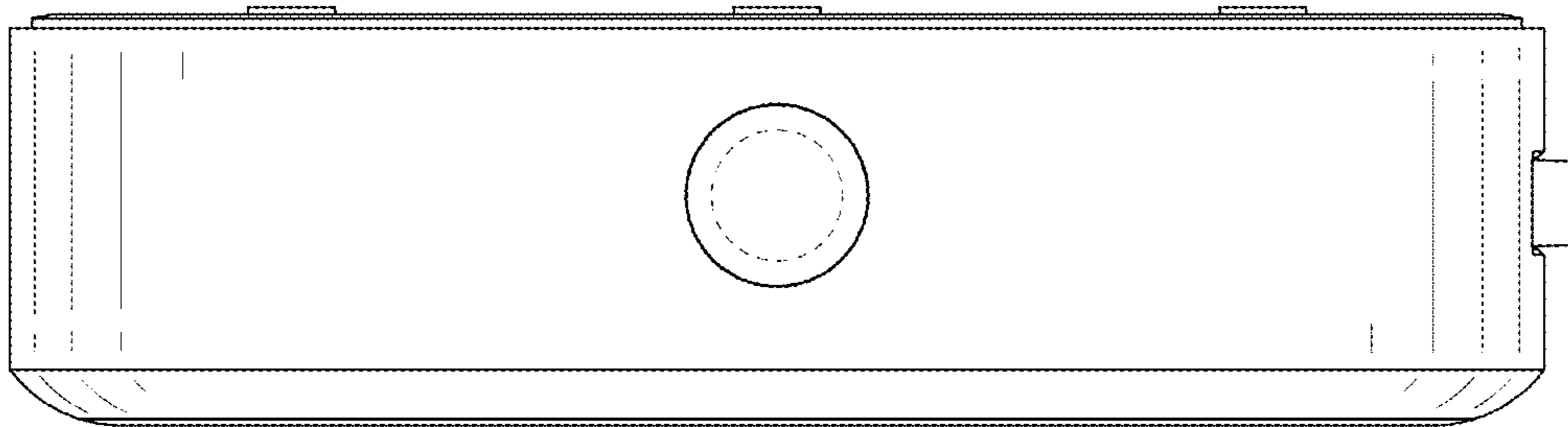


FIG. 7

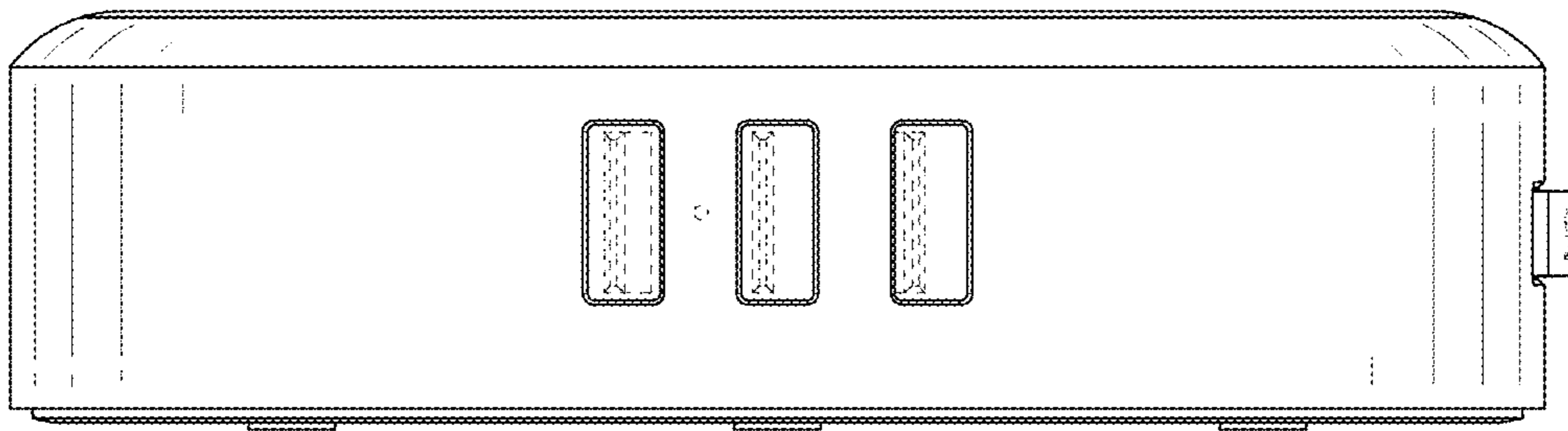


FIG. 8