



US00D935414S

(12) **United States Design Patent**
Ni et al.

(10) **Patent No.:** **US D935,414 S**
(45) **Date of Patent:** **** Nov. 9, 2021**

- (54) **COMBINATION ELECTRICAL RECEPTACLE WITH USB CHARGER AND INTERCHANGEABLE FACE COVER**
- (71) Applicant: **Wenzhou MTLC Electric Appliances Co., Ltd., Zhejiang (CN)**
- (72) Inventors: **Lidong Ni, Zhejiang (CN); Wei Gao, Zhejiang (CN)**
- (73) Assignee: **Wenzhou MTLC Electric Appliances Co., Ltd., Yueqing (CN)**

(**) Term: **15 Years**

(21) Appl. No.: **29/598,503**

(22) Filed: **Mar. 27, 2017**

(51) **LOC (13) Cl.** **13-03**

(52) **U.S. Cl.**
USPC **D13/139.3**

(58) **Field of Classification Search**
USPC D13/103, 107, 108, 110, 133, D13/137.1–137.4, 138.1–138.2, D13/139.1–139.8, 146, 147, 151–156, D13/173, 177, 199, 139.3; D14/432, 433, D14/435.1, 250; D23/231, 232; D15/7–9; D8/350, 353–356
CPC H01R 11/00; H01R 9/00; H01R 13/00; H01R 13/04; H01R 13/10; H01R 13/6666; H01R 13/6675; H01R 25/00; H01R 25/006; H01H 2207/00; H01H 2207/022; Y02E

(Continued)

(56) **References Cited**

U.S. PATENT DOCUMENTS

- D535,255 S * 1/2007 Bazayev D13/139.3
- D535,256 S * 1/2007 Fort D13/139.3

(Continued)

OTHER PUBLICATIONS

Amazon.com: Topgreener TU215448AC Topgreener USB Outlet . . . Date First Available of May 16, 2016. Retrieved from the internet at <<https://www.amazon.com/Topgreener-Charging-Resistant-Receptacle-Unbreakable/dp/B01FREZ8VE/>>, Jan. 16, 2020. 12 pages. (Year: 2016).*

(Continued)

Primary Examiner — Christy Nemeth

(74) *Attorney, Agent, or Firm* — Ziegler IP Law Group, LLC

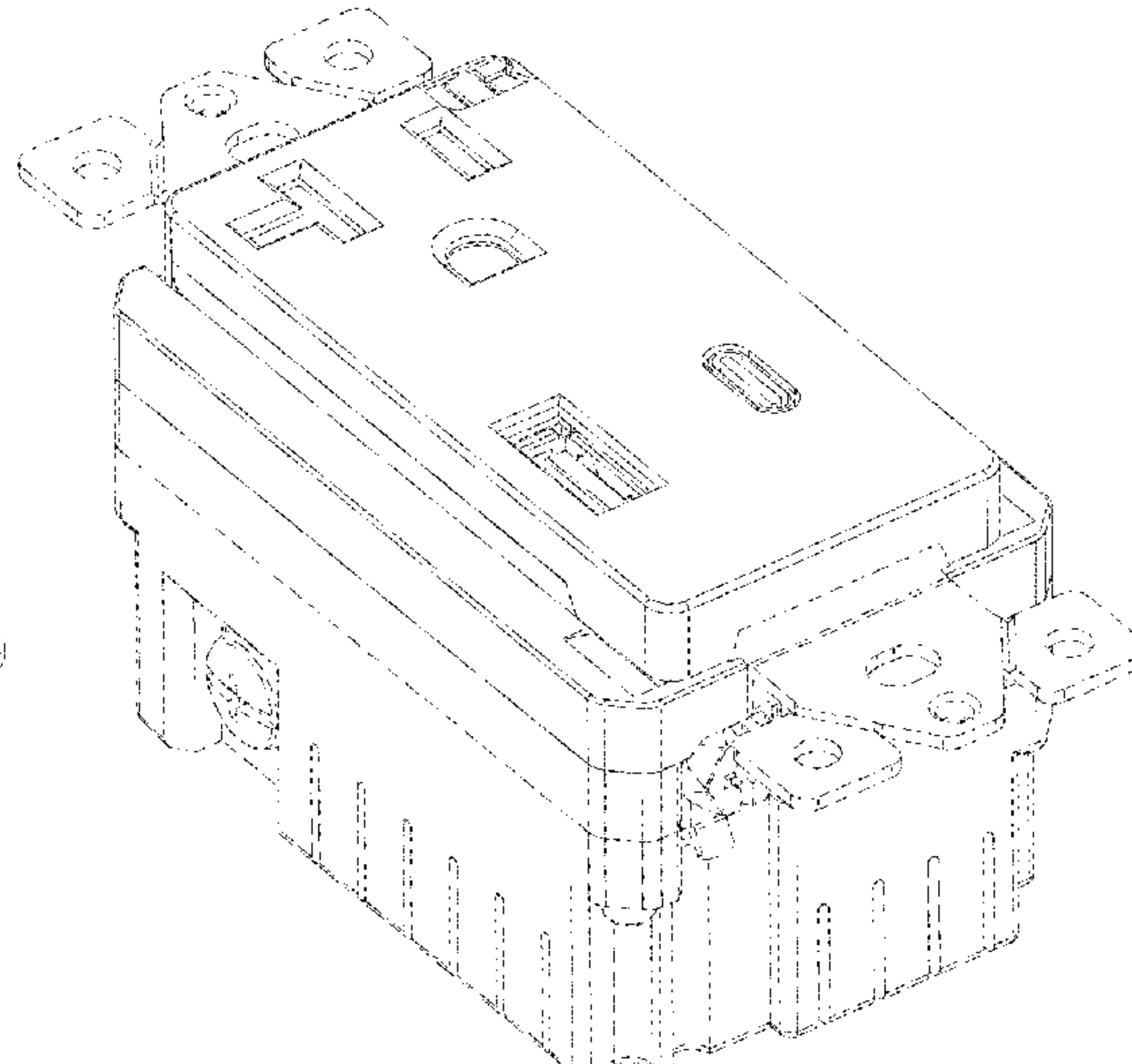
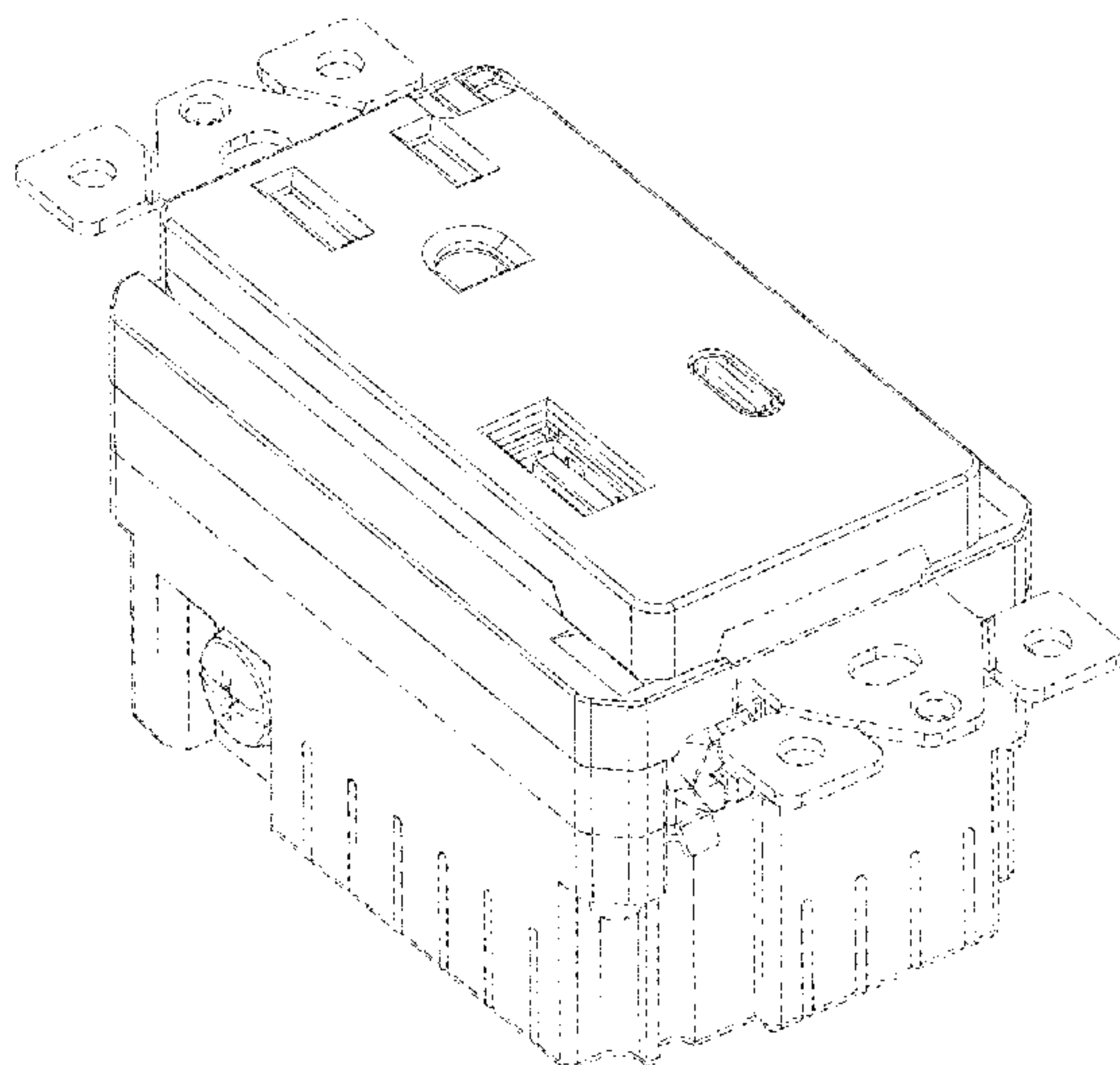
(57) **CLAIM**

The ornamental design for a combination electrical receptacle with USB charger and interchangeable face cover, as shown and described.

DESCRIPTION

FIG. 1 is a perspective view of a combination electrical receptacle with USB charger and interchangeable face cover according to a first embodiment;
 FIG. 2 is a front elevation view thereof;
 FIG. 3 is a perspective view of a combination electrical receptacle with USB charger and interchangeable face cover, according to a second embodiment;
 FIG. 4 is a front elevation view thereof;
 FIG. 5 is a left side view thereof, the left side view of the first embodiment being the same;
 FIG. 6 is a right side view thereof, the right side view of the first embodiment being the same;
 FIG. 7 is a top plan view thereof, the top plan view of the first embodiment being the same;
 FIG. 8 is a bottom plan view thereof, the bottom plan view of the first embodiment being the same; and,
 FIG. 9 is a rear elevation view thereof, the rear elevation view of the first embodiment being the same.
 The broken lines in the drawings are for the purpose of illustrating portions of the combination electrical receptacle with USB charger and interchangeable face cover that form no part of the claimed design.

1 Claim, 9 Drawing Sheets



(58) **Field of Classification Search**

CPC 60/12; Y02E 60/122; Y02E 60/124; Y02E 60/50; H01M 2/02; H01M 2/022; H01M 2/0202; H01M 2/0207; H01M 2/0212; H01M 2/1061; H01M 2/1022; H01M 2/1055; H01M 2/1066; H01M 2/105; H01M 2/204; H02J 7/00; H02J 7/0003; H02J 7/0011; H02J 7/0013; H02J 7/0054; H02J 7/0055; H02J 7/0057; Y02T 10/7005; Y02T 10/705; Y02T 10/7088; B60L 11/1809; B60L 11/1861

See application file for complete search history.

(56) **References Cited**

U.S. PATENT DOCUMENTS

D558,676 S * 1/2008 Fort D13/139.3
 D571,730 S * 6/2008 Kidman D13/139.3
 D601,962 S * 10/2009 Song D13/139.6
 D667,794 S * 9/2012 Junko D13/139.1
 D674,753 S * 1/2013 Jansen D13/139.1
 D686,577 S * 7/2013 Flagello D13/152
 D702,640 S * 4/2014 Restrepo D13/139.1
 D703,139 S * 4/2014 Dodal D13/139.1
 D705,734 S * 5/2014 Dodal D13/139.1
 D715,224 S * 10/2014 Junko D13/139.1
 D719,511 S * 12/2014 Dodal D13/139.1
 D719,512 S * 12/2014 Roy D13/139.6
 D719,915 S * 12/2014 McMahon D13/139.1
 D722,562 S * 2/2015 Restrepo D13/139.1
 D731,432 S * 6/2015 Murphy D13/139.1
 D732,719 S * 6/2015 Mozdzer D13/139.1
 D744,423 S * 12/2015 Junko D13/139.1
 D744,952 S * 12/2015 Ni D13/139.3
 9,484,682 B2 * 11/2016 Ni H01R 27/02
 D778,239 S * 2/2017 Ni D13/108
 9,564,745 B1 * 2/2017 Ni H02G 3/14
 D800,662 S * 10/2017 Wu D13/137.1
 D813,818 S * 3/2018 Ni D13/137.2
 D817,281 S * 5/2018 Salas D13/137.2
 D817,884 S * 5/2018 Salas D13/137.2
 D817,885 S * 5/2018 Salas D13/137.2
 D820,211 S * 6/2018 Salas D13/137.2
 D825,469 S * 8/2018 Pan D13/139.1

D839,829 S * 2/2019 Weeks D13/139.6
 D839,830 S * 2/2019 Weeks D13/139.6
 D840,346 S * 2/2019 Weeks D13/139.3
 D840,348 S * 2/2019 Weeks D13/139.6
 D840,349 S * 2/2019 Weeks D13/139.6
 D845,245 S * 4/2019 Tao D13/139.3
 D851,042 S * 6/2019 Pan D13/139.1
 D853,333 S * 7/2019 Salas D13/139.3
 D856,935 S * 8/2019 Pan D13/139.3
 D858,444 S * 9/2019 Ni D13/137.1
 D858,445 S * 9/2019 Ni D13/137.1
 D870,046 S * 12/2019 Salas D13/139.3
 D870,047 S * 12/2019 Salas D13/139.3
 D870,671 S * 12/2019 Salas D13/139.3
 2011/0104919 A1 * 5/2011 Patel H01R 25/006
 439/137
 2013/0242440 A1 * 9/2013 Bonasia H02H 3/33
 361/49
 2015/0038006 A1 * 2/2015 Jansen H02J 7/0021
 439/535
 2016/0181047 A1 * 6/2016 Simonin H01R 13/7135
 200/51 R
 2017/0162985 A1 * 6/2017 Randall H02G 3/12
 2018/0366954 A1 * 12/2018 Scanzillo H02J 7/007
 2019/0097364 A1 * 3/2019 Mortun H01R 13/6683
 2019/0159318 A1 * 5/2019 Mozdzer H01R 13/7175
 2019/0181594 A1 * 6/2019 Ridgeway H01H 83/04

OTHER PUBLICATIONS

Amazon.com: Topgreener 36W Quick Charge 2.0 USB Wall Outlet . . . Date Reviewed of Jan. 15, 2017. Retrieved from the internet at <<https://www.amazon.com/TOPGREENER-Compatible-Samsung-smarthphones-TU1152QC/dp/B07J2VDXCX/>>, Jan. 16, 2020. 1 page. (Year: 2017).*

Amazon.com: Topgreener 36W Quick Charge 3.0 PD Charger Combo . . . Customer question date of Jan. 3, 2017. Retrieved from the internet at <<https://www.amazon.com/TOPGREENER-Deliver-Receptacle-Samsung-TU115QC3PD/dp/B07M87BM96/>>, Jan. 17, 2020. 1 page. (Year: 2017).*

Amazon.com: TOPGREENER TU22048A . . . Date First Available of Apr. 21, 2016. Retrieved from the internet at <<https://www.amazon.com/TOPGREENER-TU22048A-Charger-Interchangeable-iPhoneX/dp/B01BTCU4Y4/>>, Jan. 17, 2020. 1 page. (Year: 2016).*

* cited by examiner

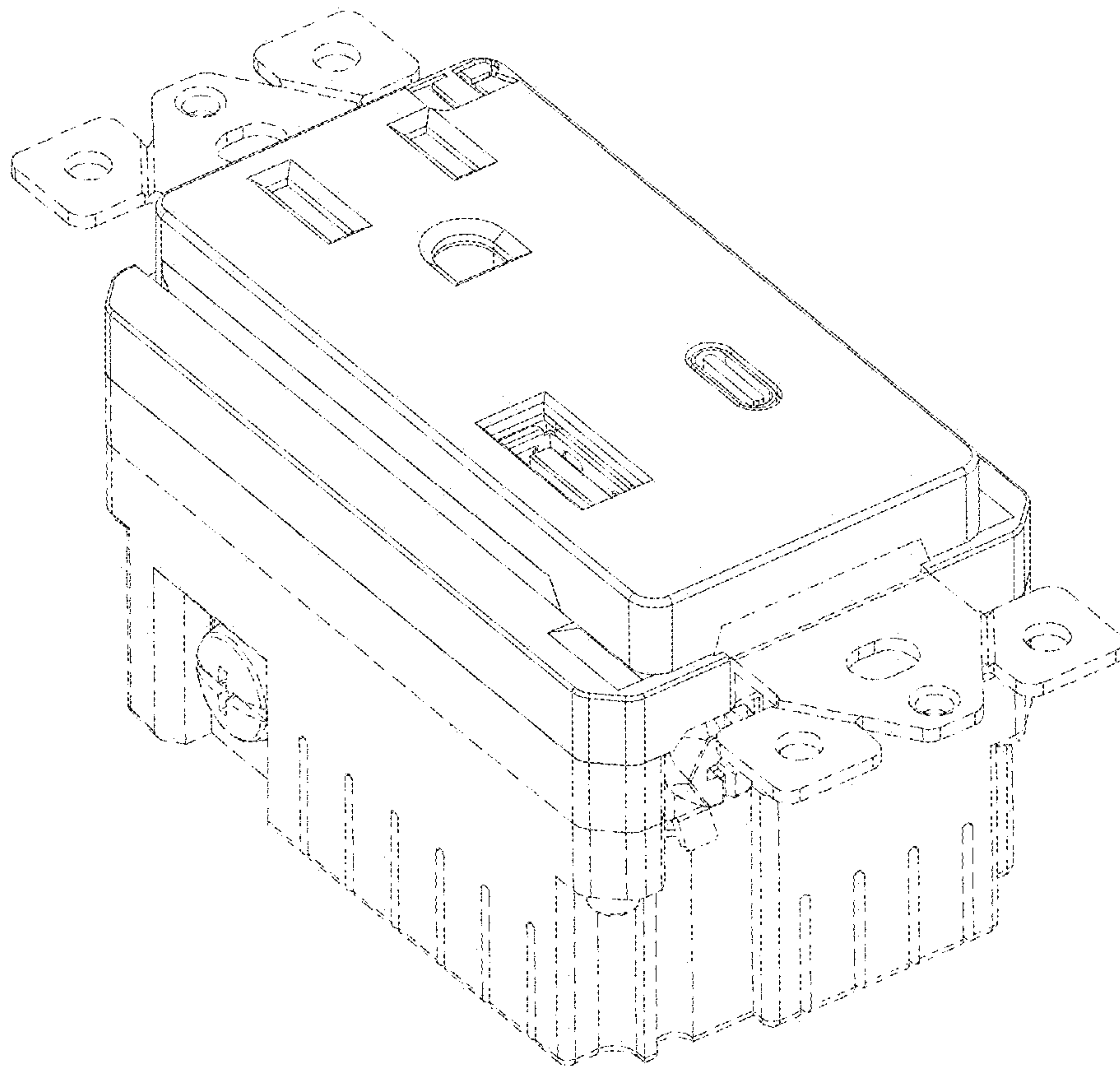


FIG 1

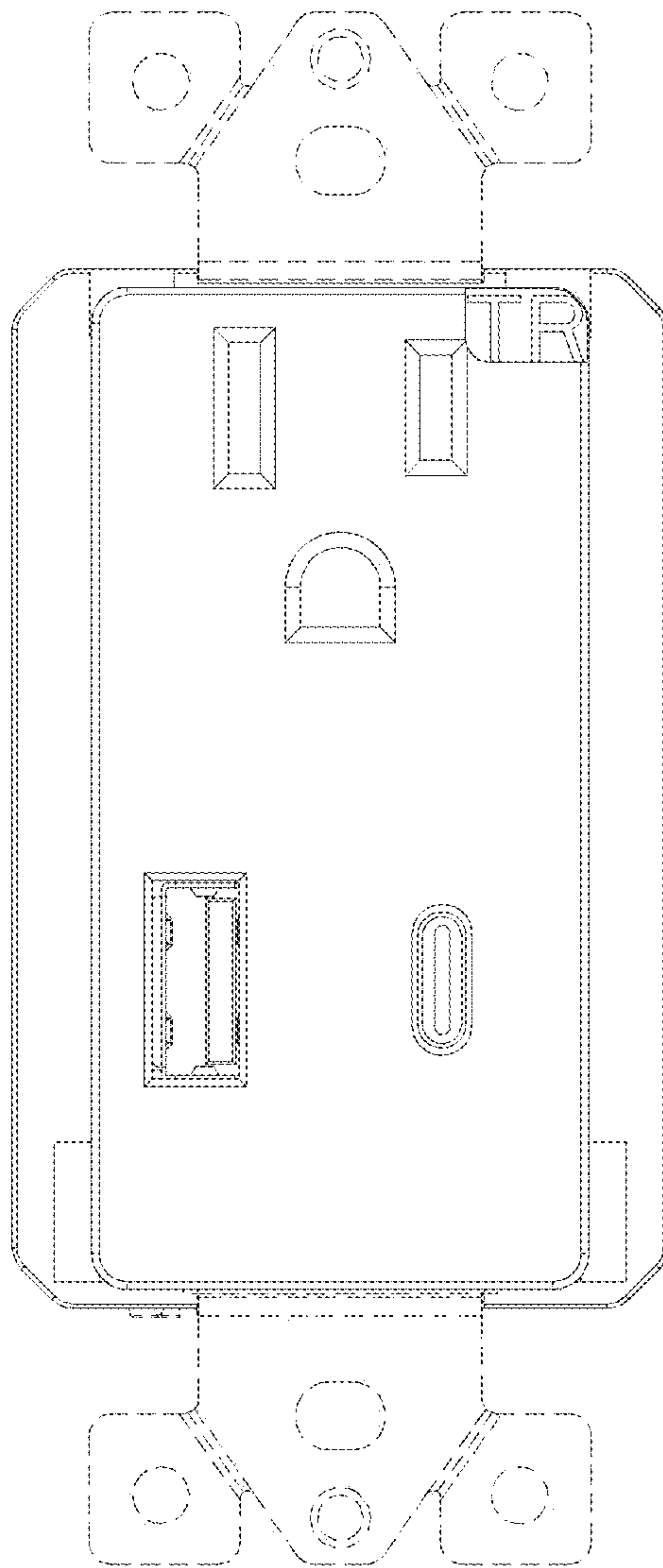


FIG 2

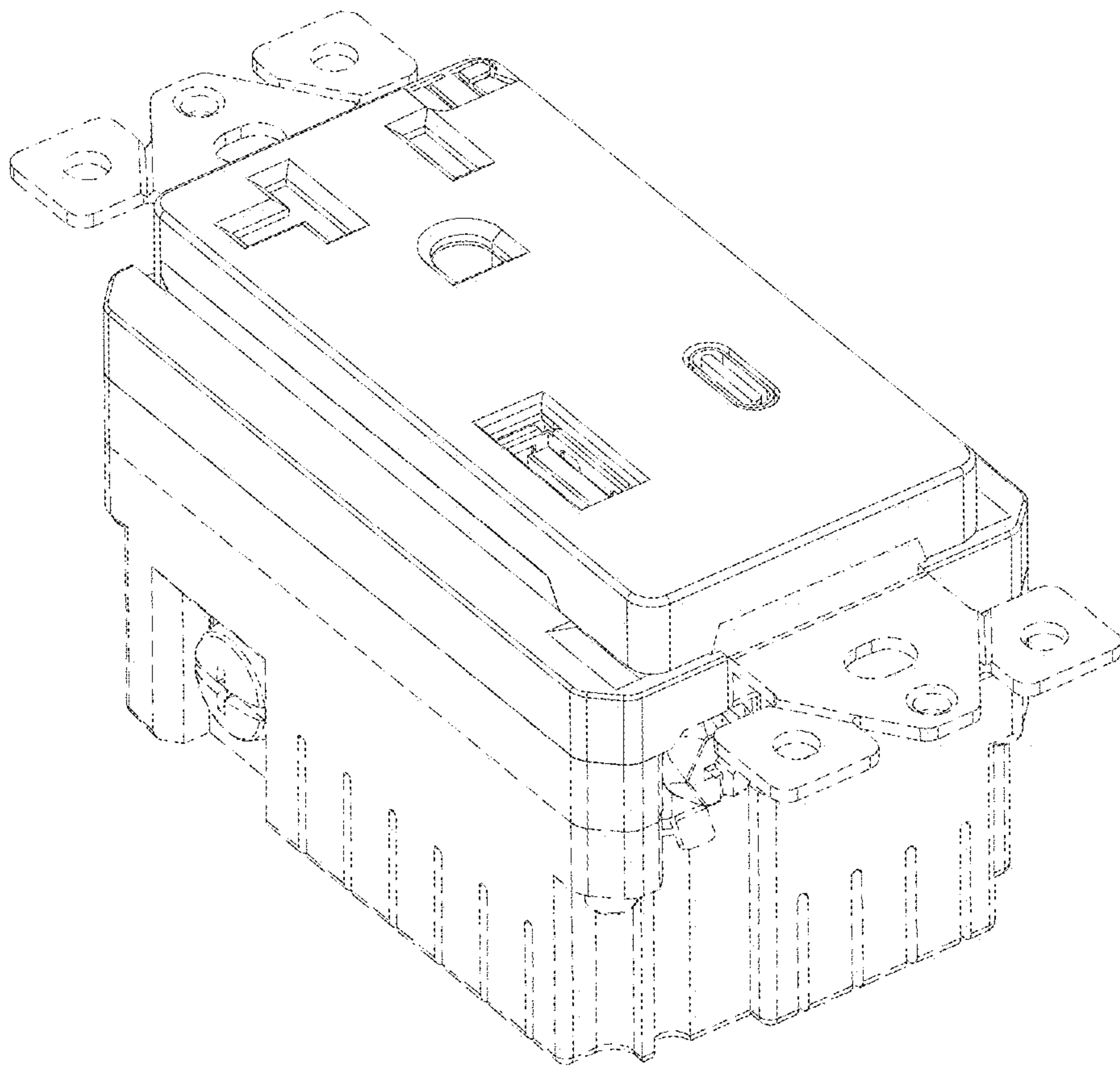


FIG 3

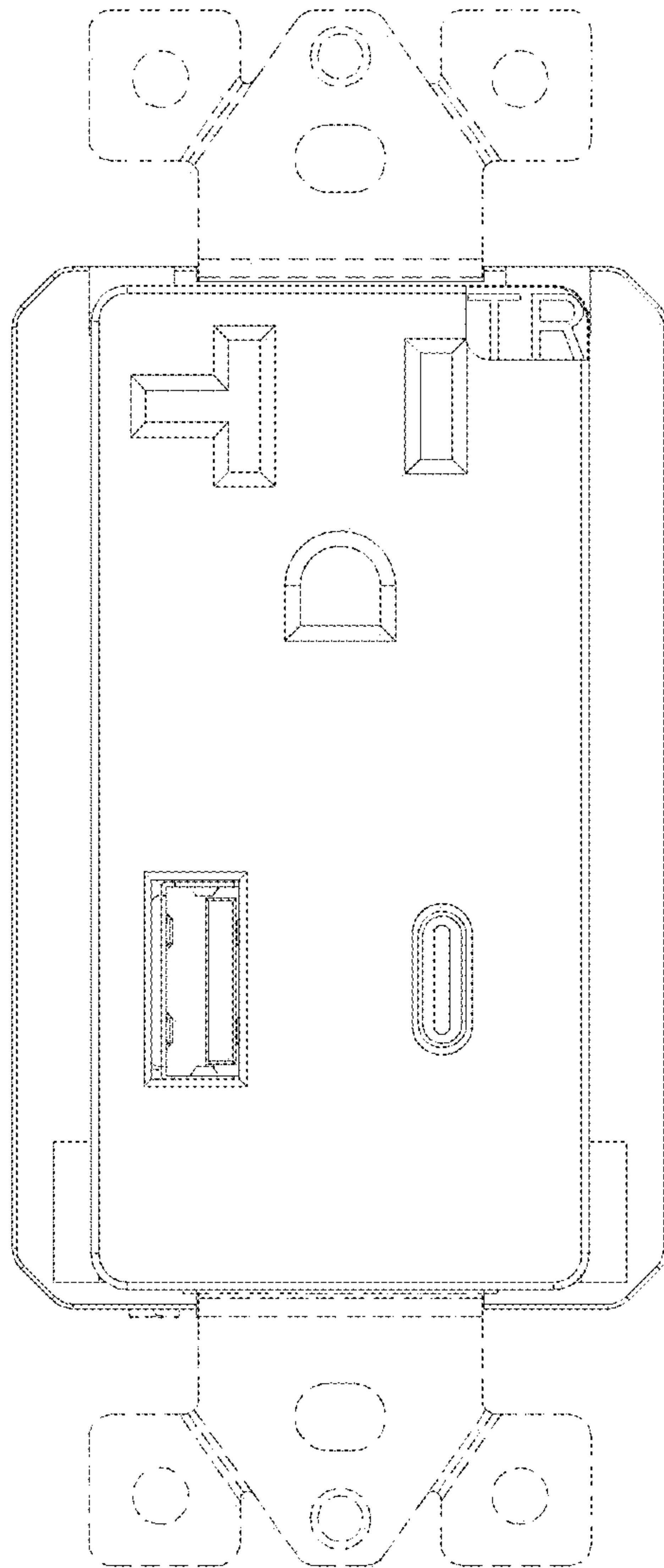


FIG 4

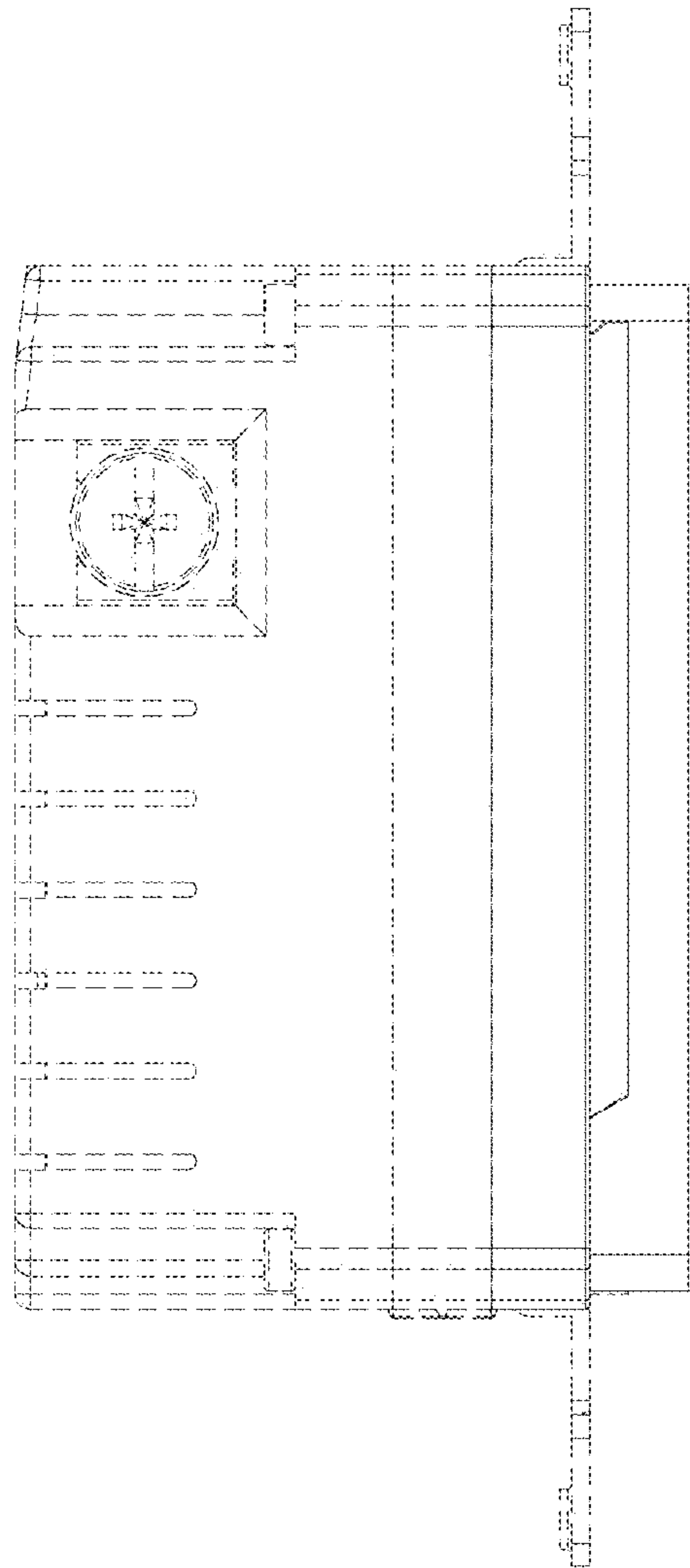


FIG 5

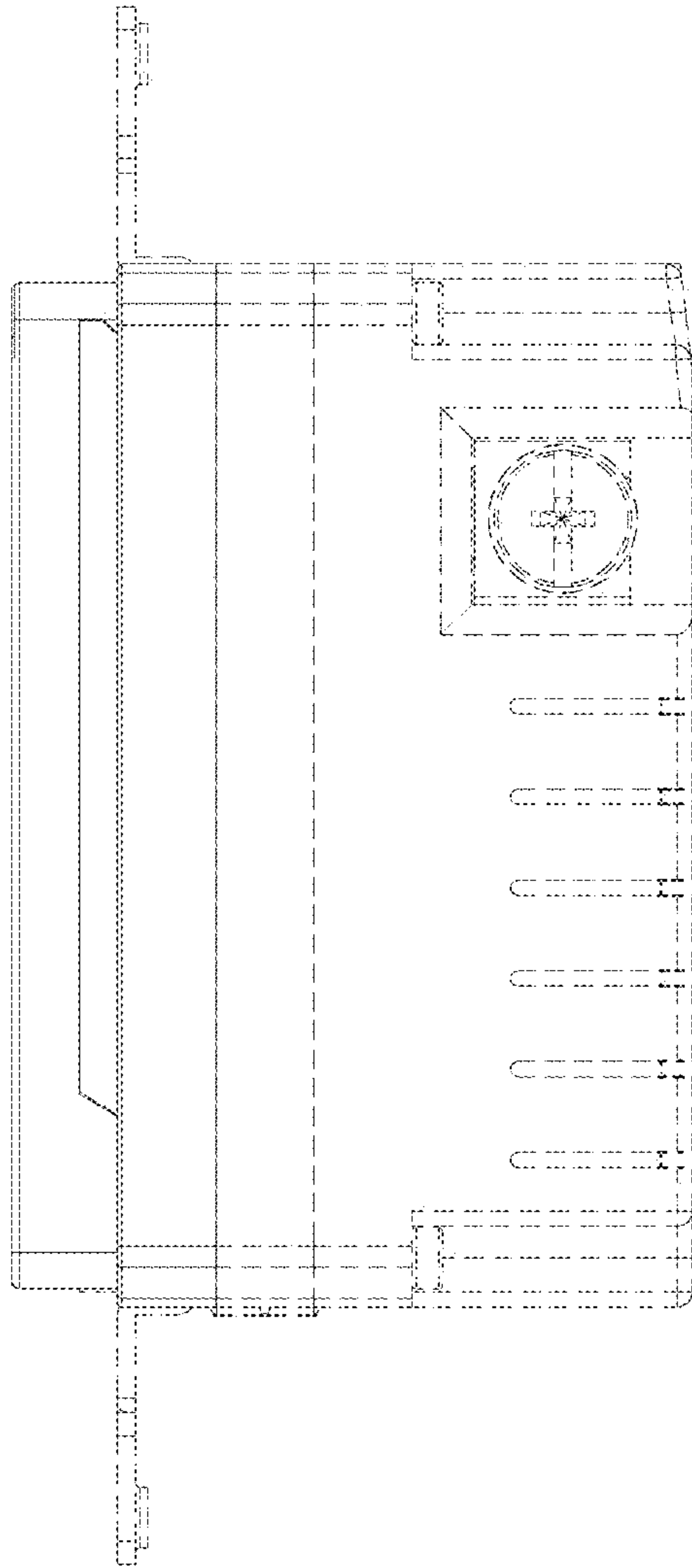


FIG 6

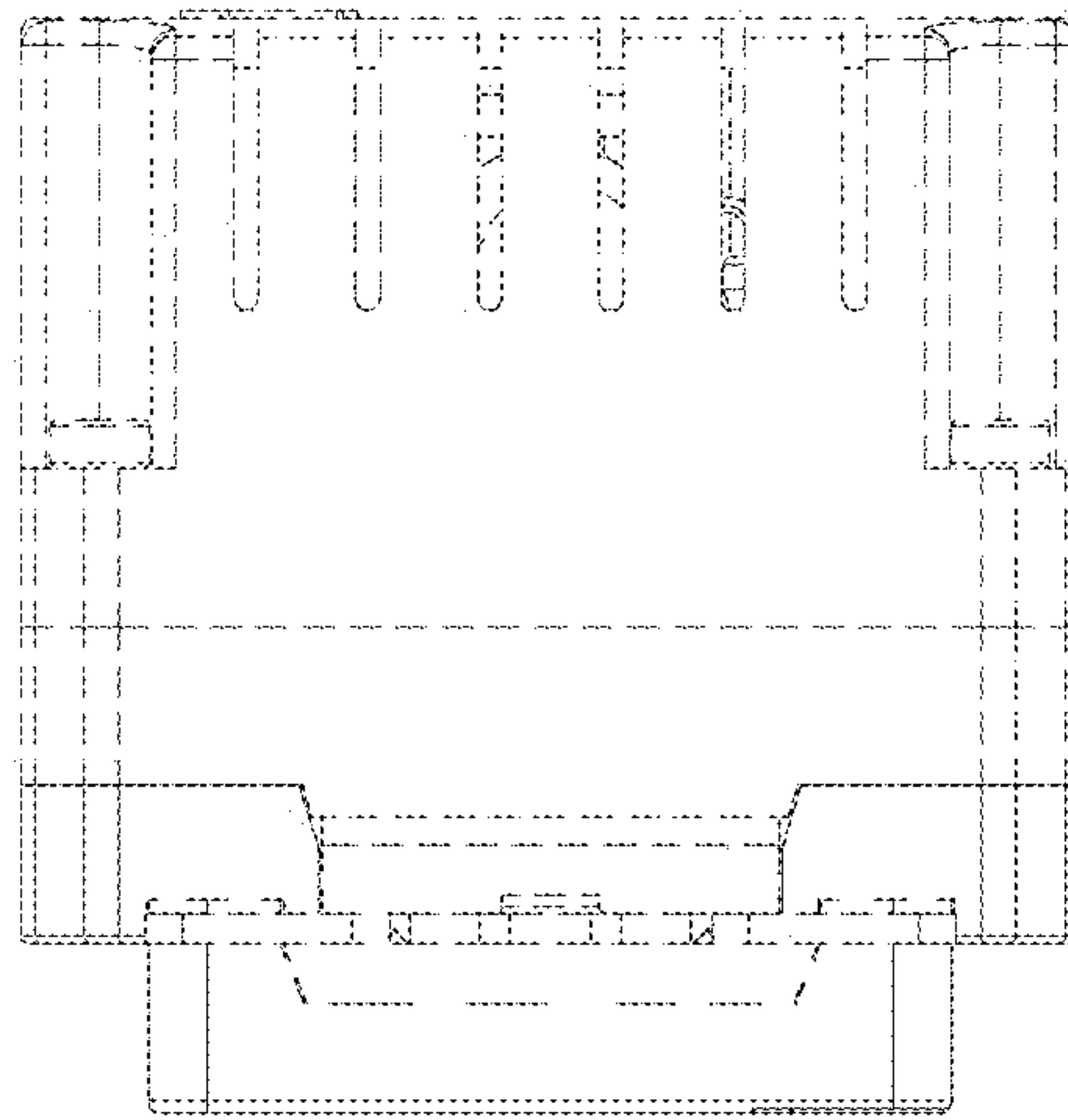


FIG 7

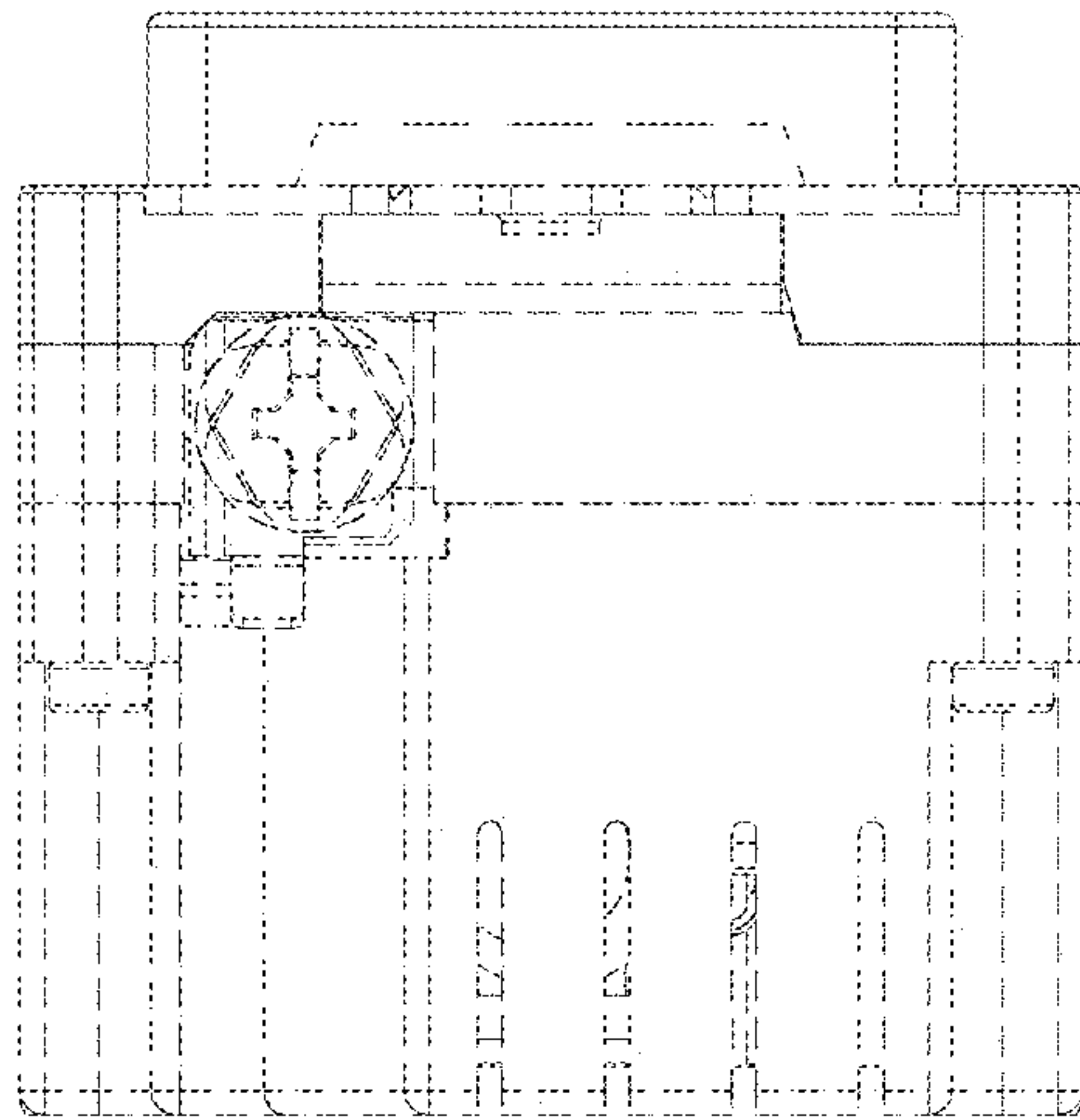


FIG 8

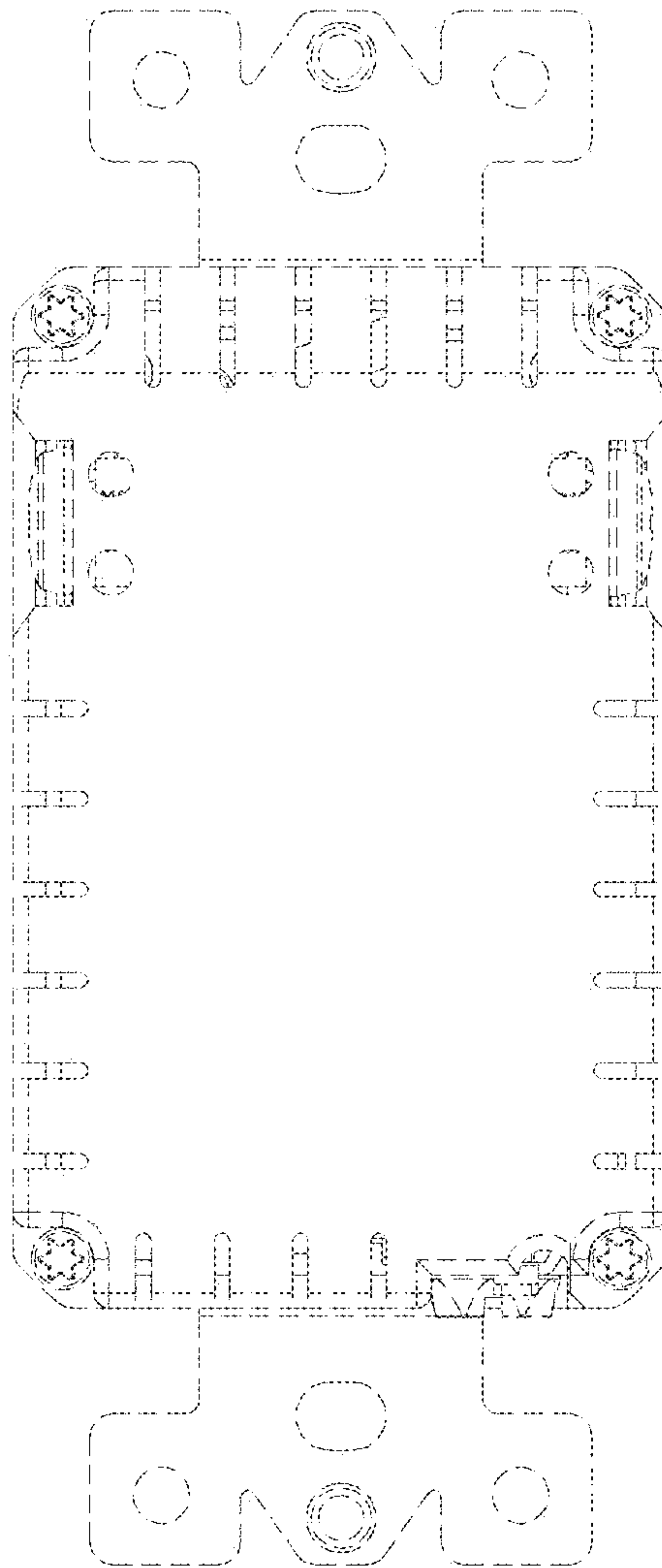


FIG 9