



US00D935412S

(12) **United States Design Patent**
Wang

(10) **Patent No.:** **US D935,412 S**

(45) **Date of Patent:** **** Nov. 9, 2021**

(54) **POWER STRIP**

(71) Applicant: **Guiming Wang**, Jilin Province (CN)

(72) Inventor: **Guiming Wang**, Jilin Province (CN)

(**) Term: **15 Years**

(21) Appl. No.: **29/764,547**

(22) Filed: **Dec. 30, 2020**

(51) **LOC (13) Cl.** **13-03**

(52) **U.S. Cl.**

USPC **D13/137.2**

(58) **Field of Classification Search**

USPC D13/137.1–137.4, 138.1–138.2,
D13/139.1–139.8, 110; D14/168, 433

CPC H01R 27/02; H01T 4/08

See application file for complete search history.

(56) **References Cited**

U.S. PATENT DOCUMENTS

D534,869 S *	1/2007	Stekelenburg	D13/139.1
D793,398 S *	8/2017	Feldstein	D14/433
D807,298 S *	1/2018	Xu	D13/139.8
D807,831 S *	1/2018	Xu	D13/139.8
D826,163 S *	8/2018	Xu	D13/139.8
D851,598 S *	6/2019	Liang	D13/139.7
D871,343 S *	12/2019	Yu	D13/139.8
D874,401 S *	2/2020	Zhong	D13/110
D874,423 S *	2/2020	Wu	D14/168
D878,299 S	3/2020	Lyu		
D883,219 S *	5/2020	Lyu	D13/139.1
D915,287 S *	4/2021	Xu	D13/139.1
2020/0076113 A1 *	3/2020	Xu	H01R 27/02

OTHER PUBLICATIONS

“Beva Power Strip . . .” reference dated Dec. 30, 2020 found on the internet by RMS at: https://www.amazon.com/gp/product/B07PY75P5Z/ref=ask_ql_qh_dp_hza.*

“AiJoy Surge Protector . . .” reference dated Apr. 26, 2019 found on the internet by RMS at: <https://www.walmart.com/ip/AiJoy-Surge-Protector-Power-Strip-Tower-8-AC-Outlet-3-1A-4-USB-Ports-for-Fast-Charging-with-Extension-Cord-10FT/379043312>.*

* cited by examiner

Primary Examiner — Rhea Shields

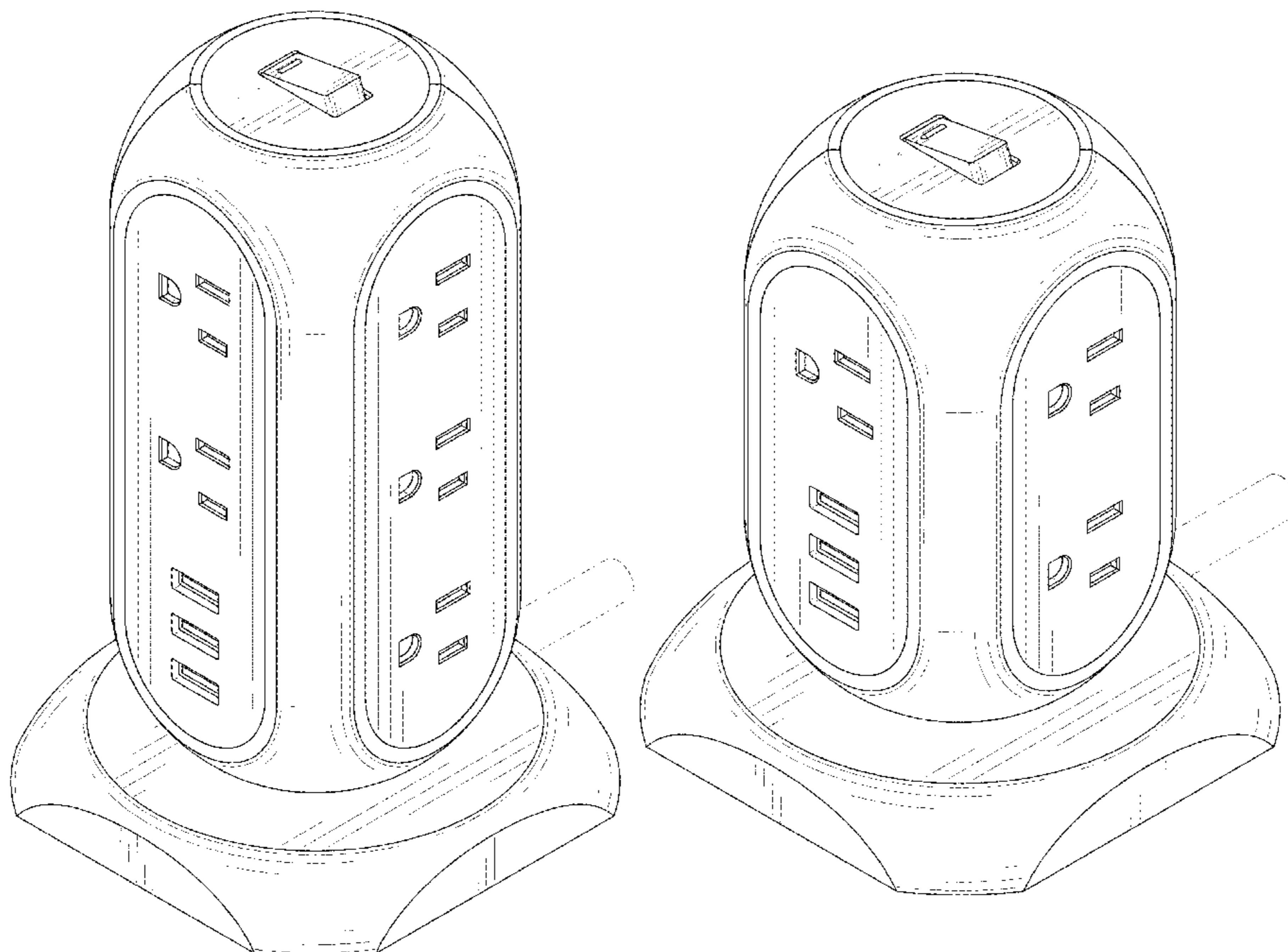
(57) **CLAIM**

The ornamental design for a power strip, as shown and described.

DESCRIPTION

FIG. 1 is a front and top perspective view of a first embodiment of a power strip, showing my new design; FIG. 2 is a rear and bottom perspective view thereof; FIG. 3 is a front elevation view thereof; FIG. 4 is a rear elevation view thereof; FIG. 5 is a left side elevation view thereof; FIG. 6 is a right side elevation view thereof; FIG. 7 is a top plan view thereof; FIG. 8 is a bottom plan view thereof; FIG. 9 is a front and top perspective view of a second embodiment of the power strip; FIG. 10 is a rear and bottom perspective view thereof; FIG. 11 is a front elevation view thereof; FIG. 12 is a rear elevation view thereof; FIG. 13 is a left side view thereof; FIG. 14 is a right side view thereof; FIG. 15 is a top plan view thereof; and, FIG. 16 is a bottom plan view thereof. The broken lines in the figures illustrate portions of the power strip that form no part of the claimed design.

1 Claim, 16 Drawing Sheets



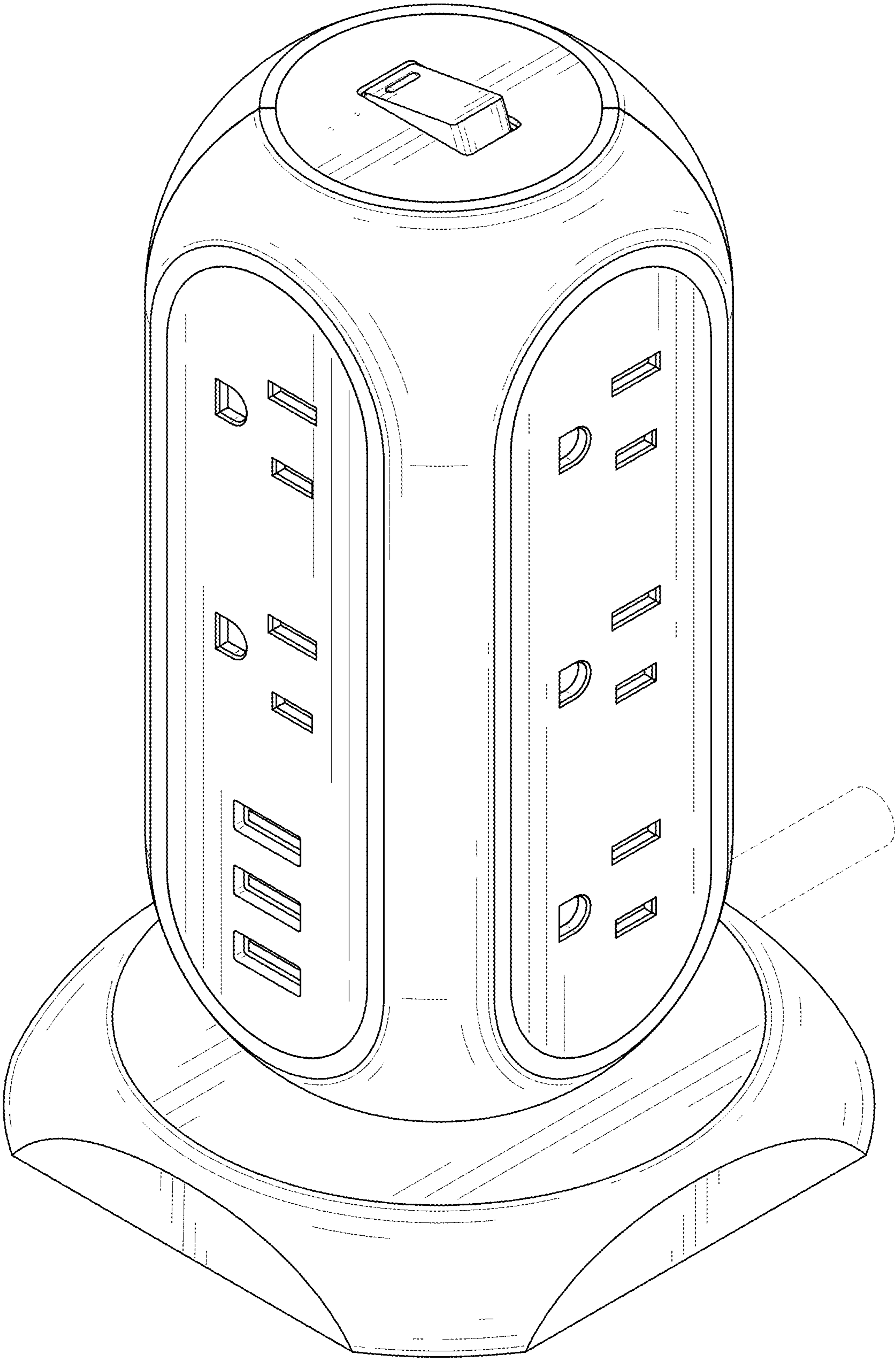


FIG. 1

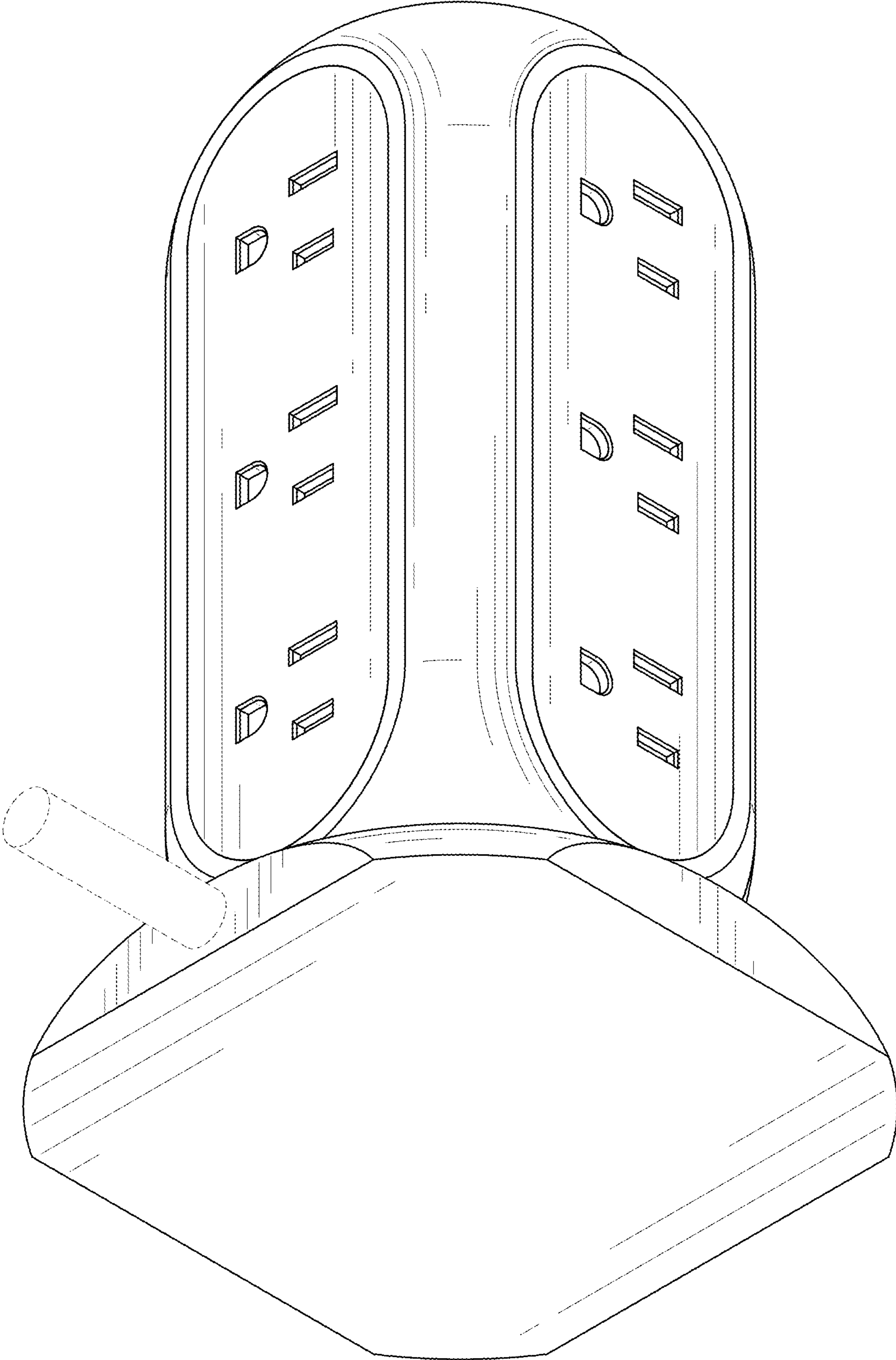


FIG. 2

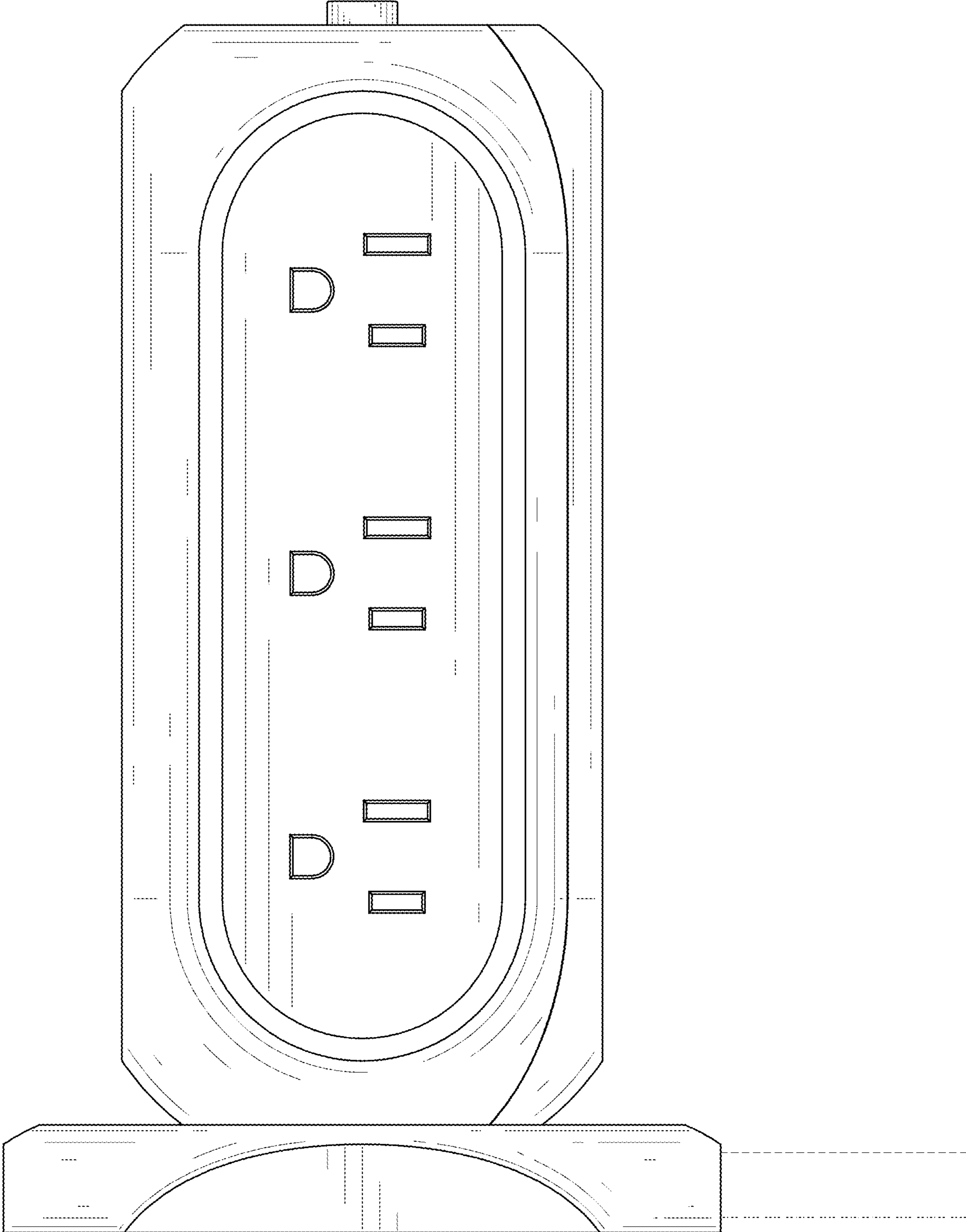


FIG. 3

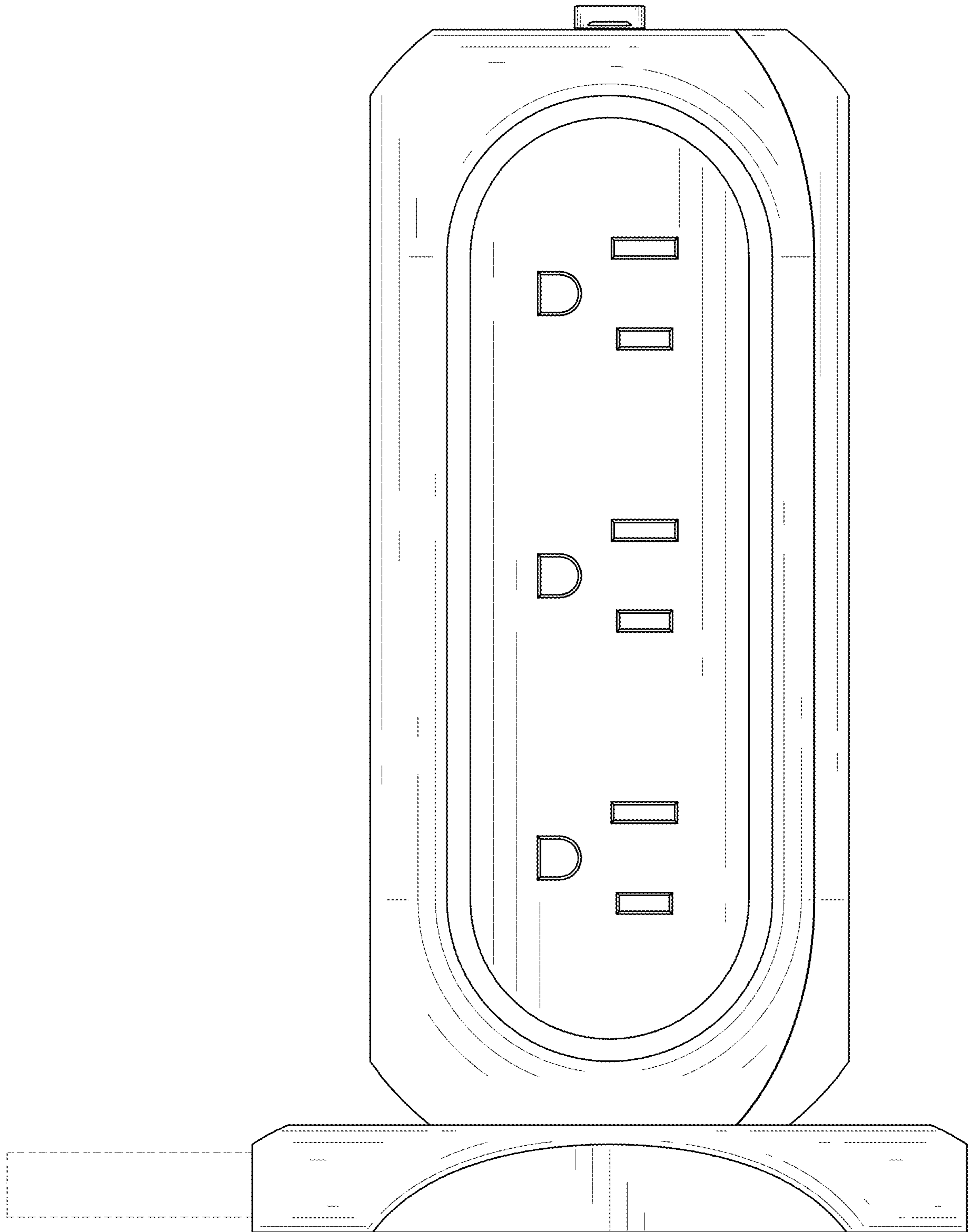


FIG. 4

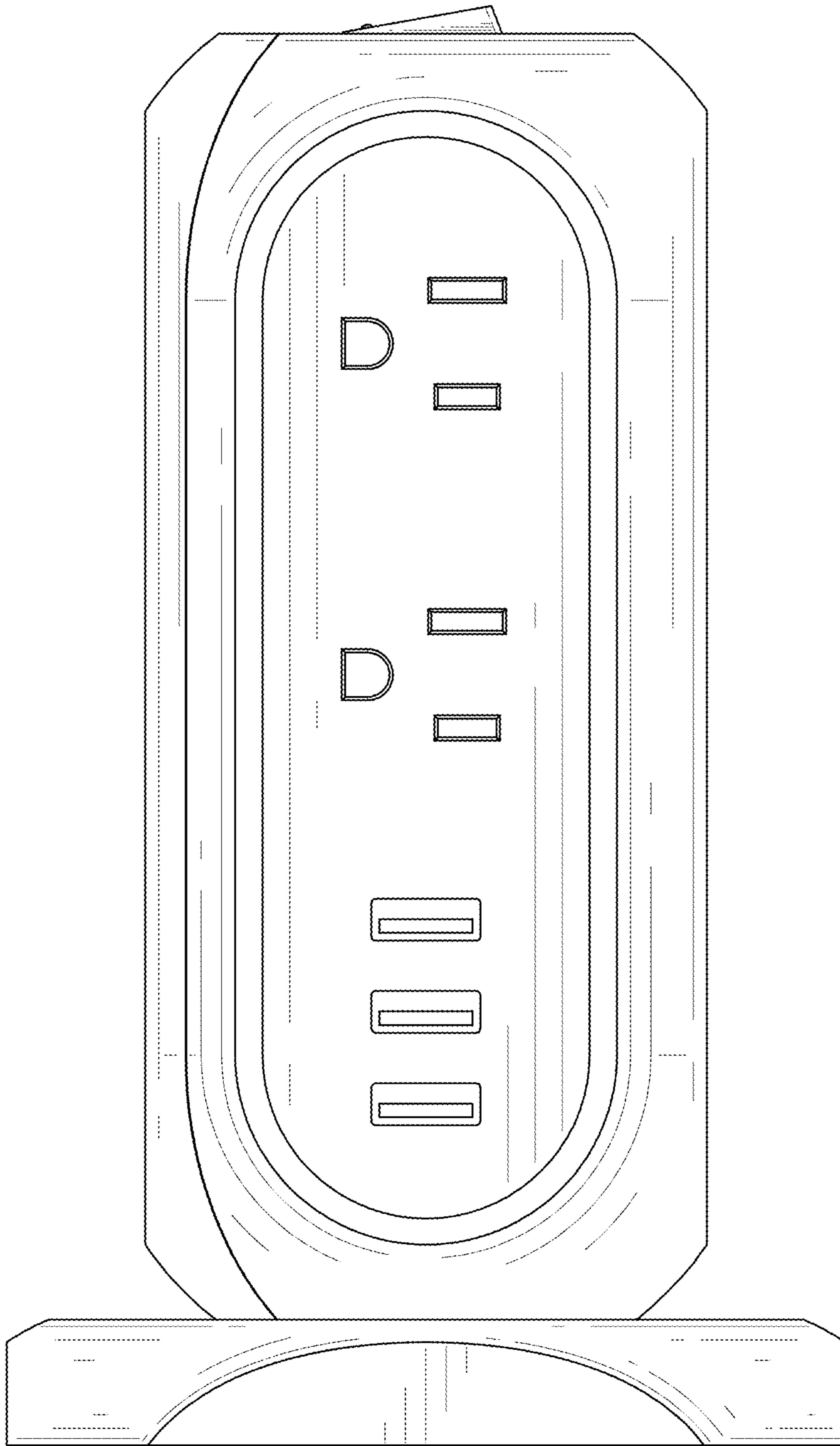


FIG. 5

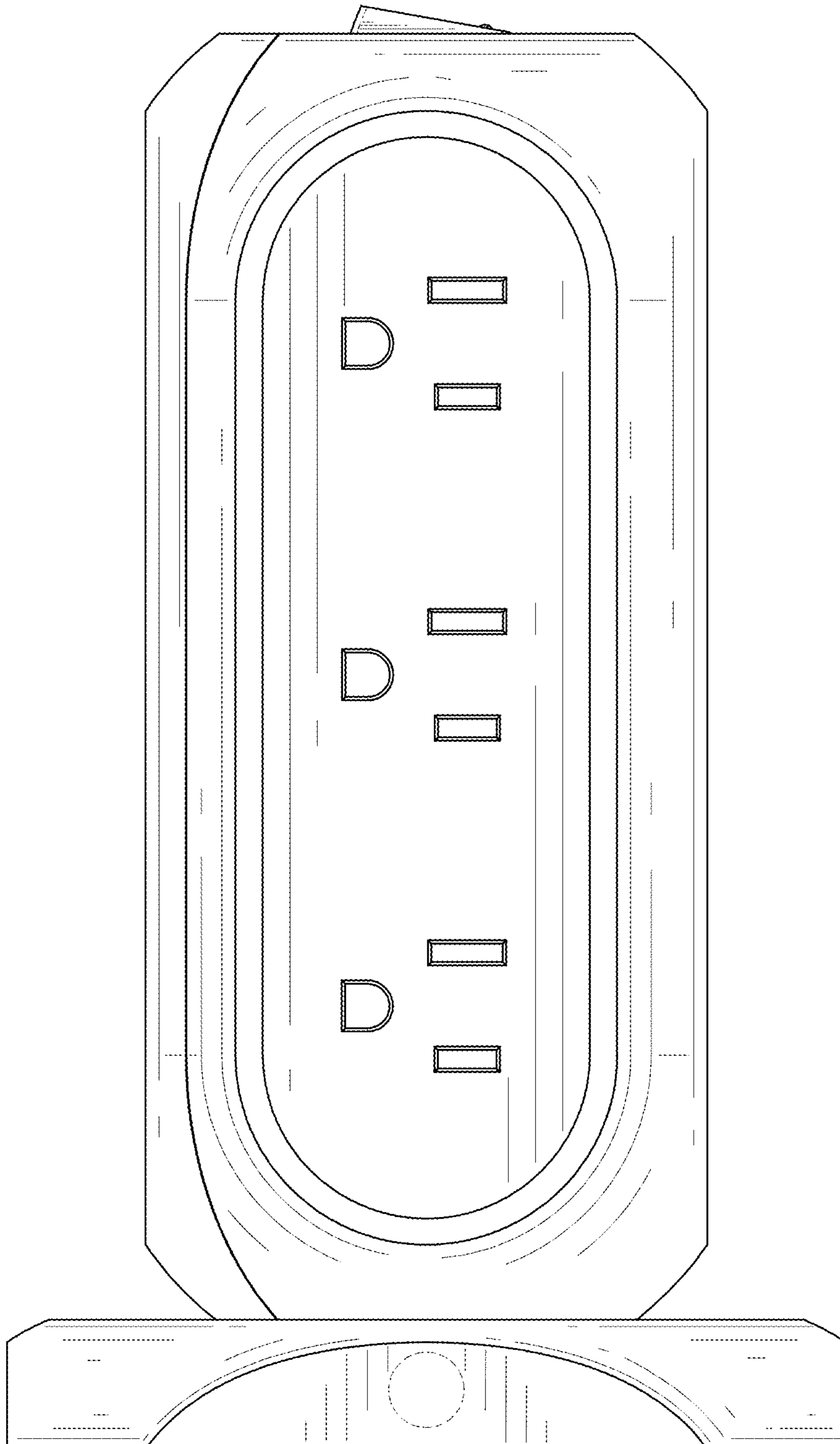


FIG. 6

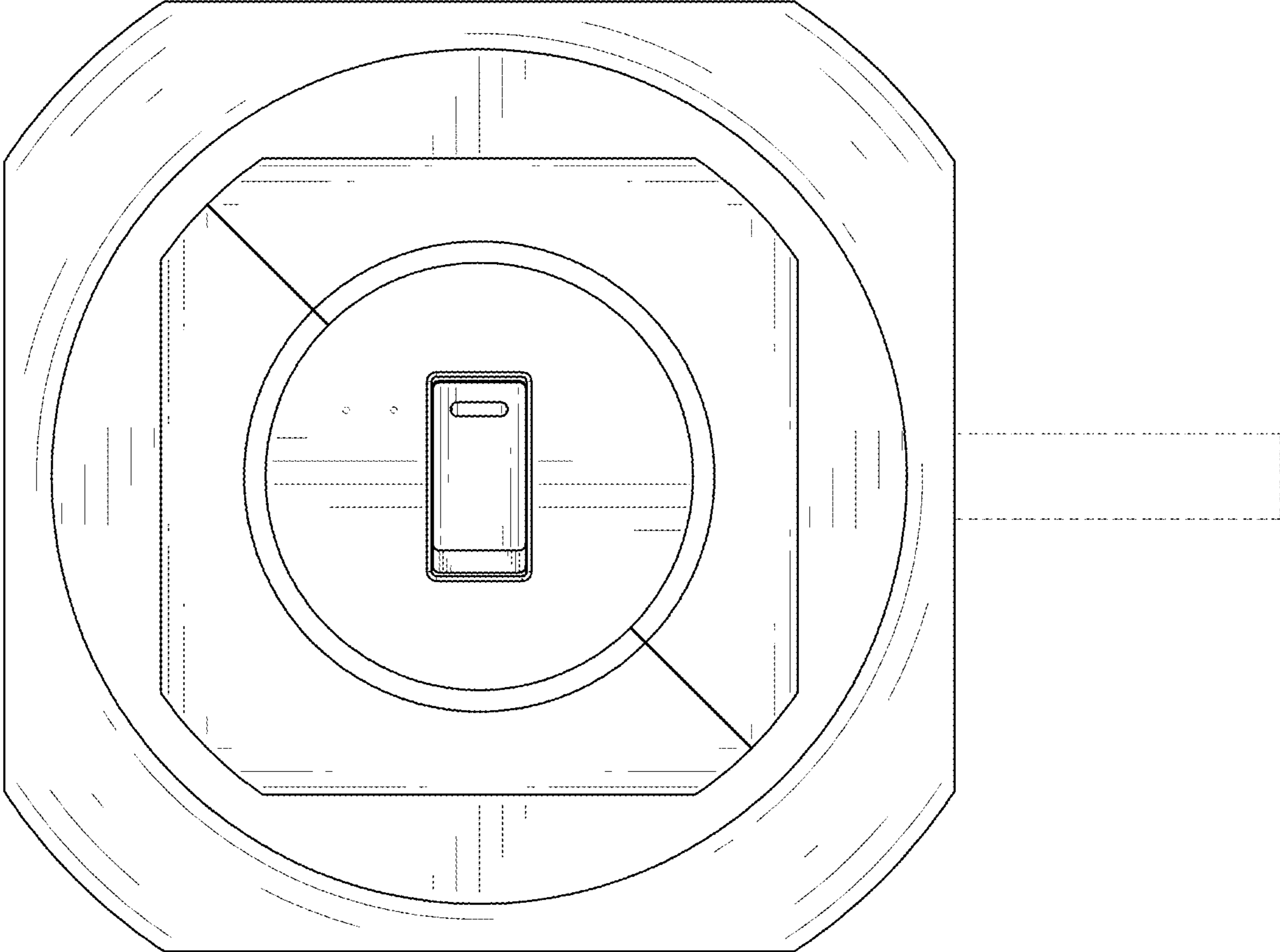


FIG. 7

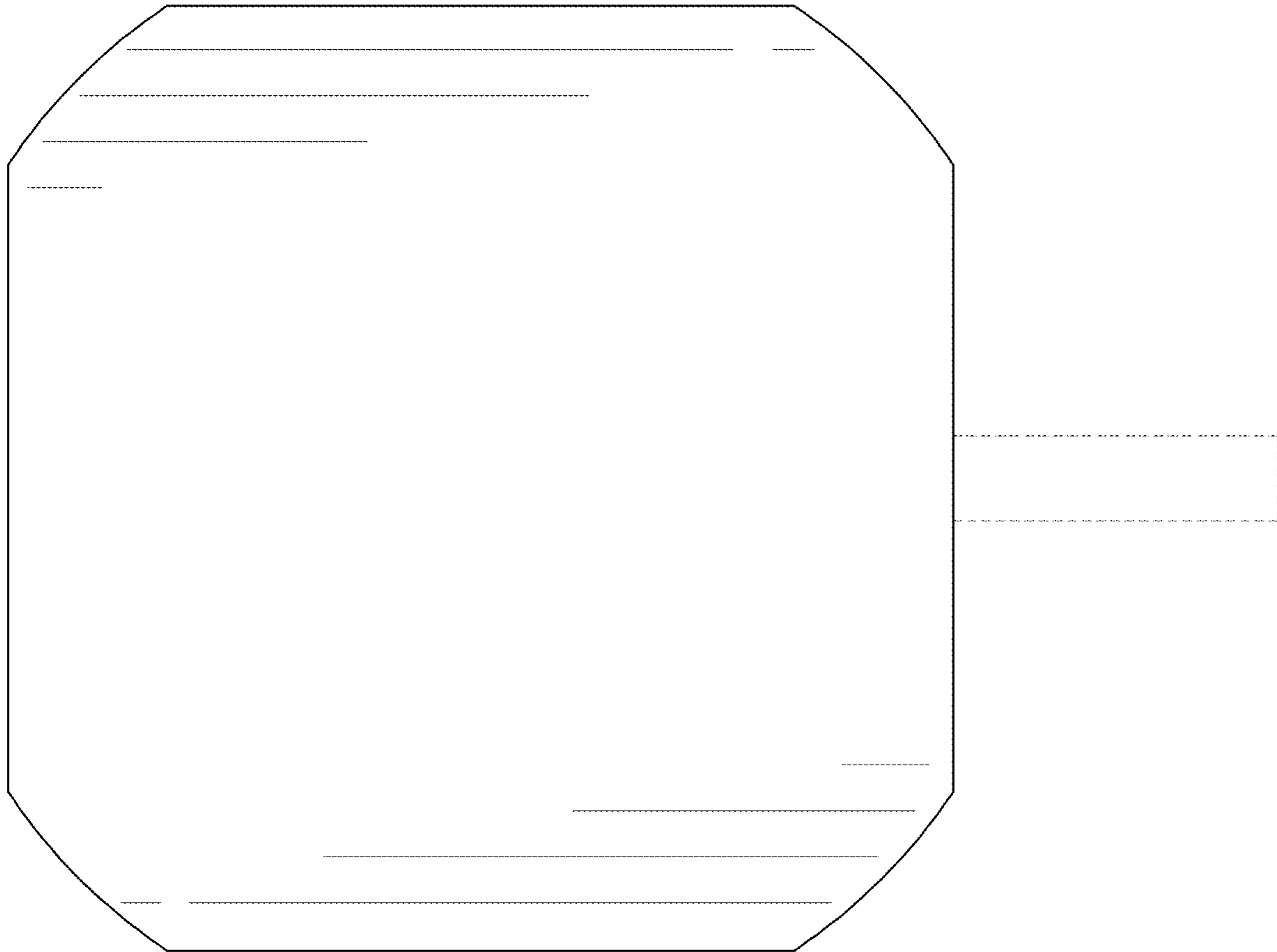


FIG. 8

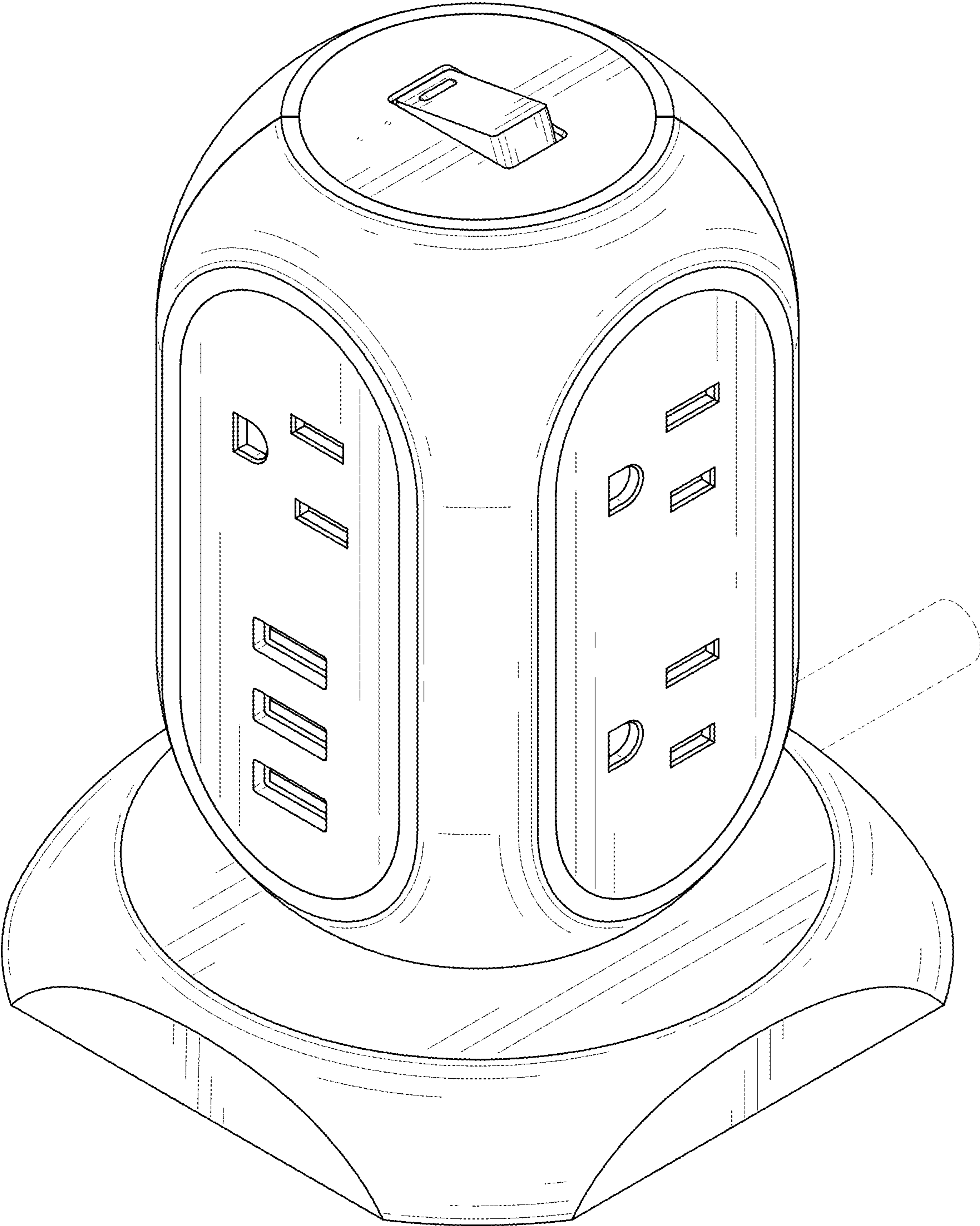


FIG. 9

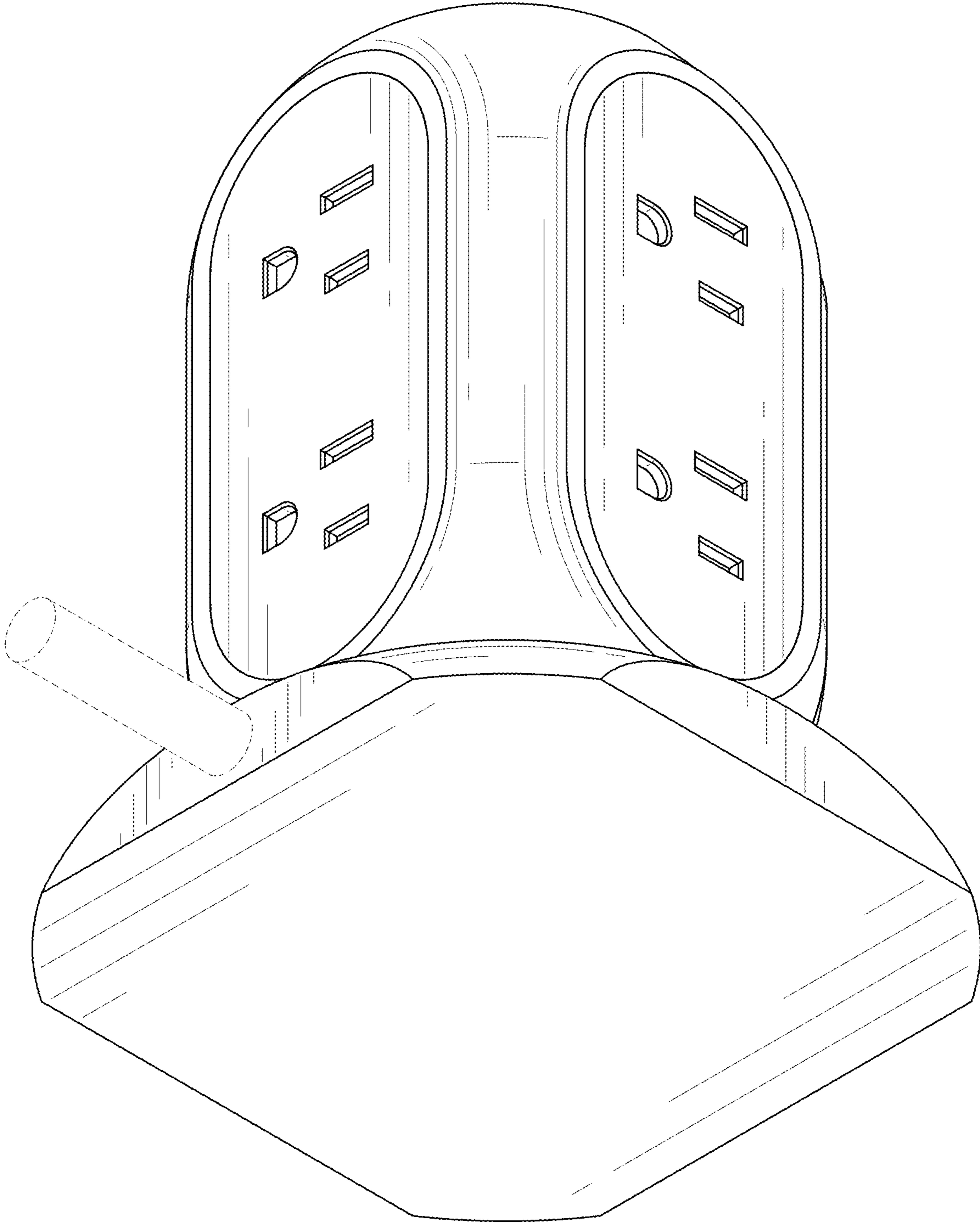


FIG. 10

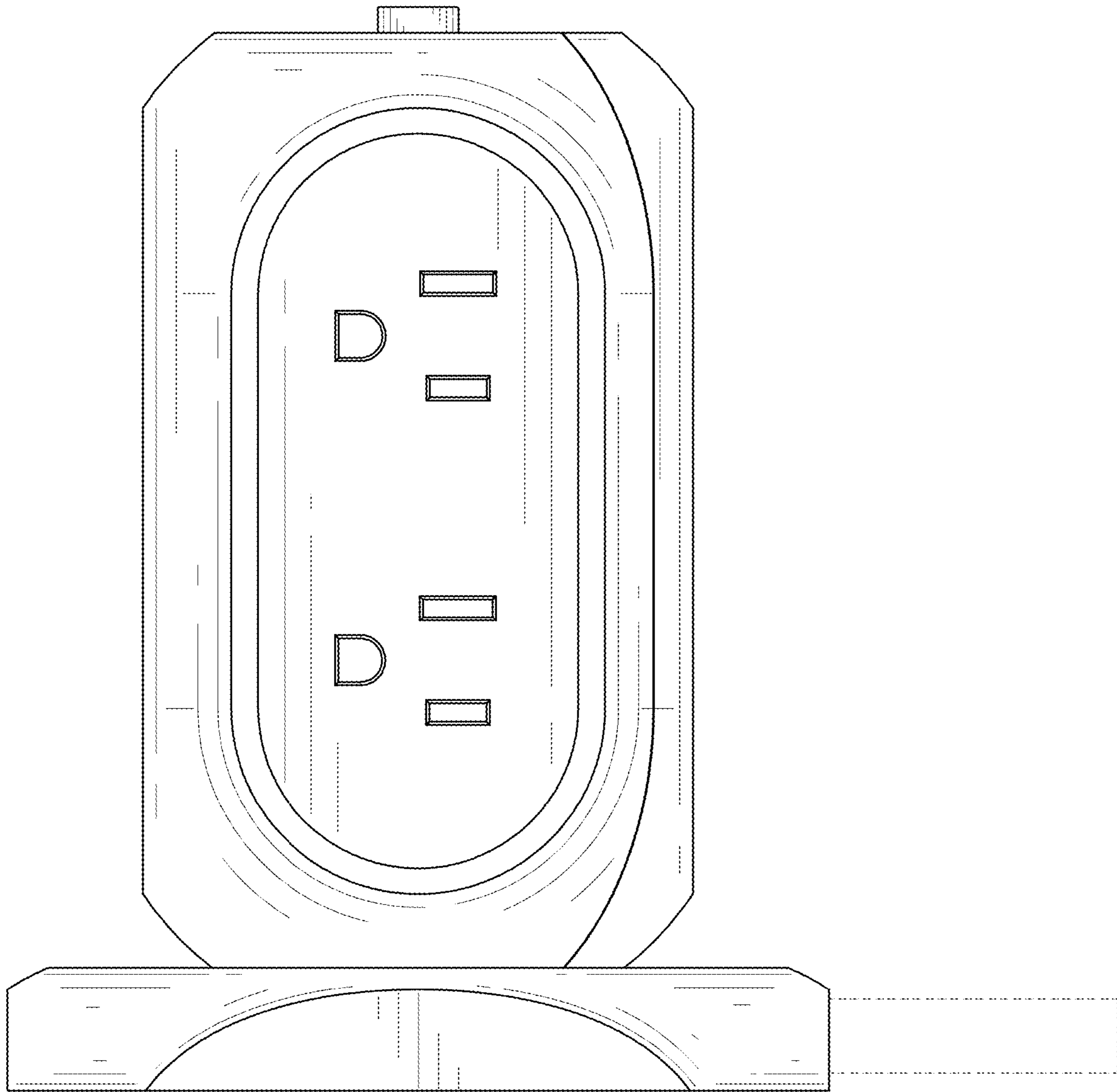


FIG. 11

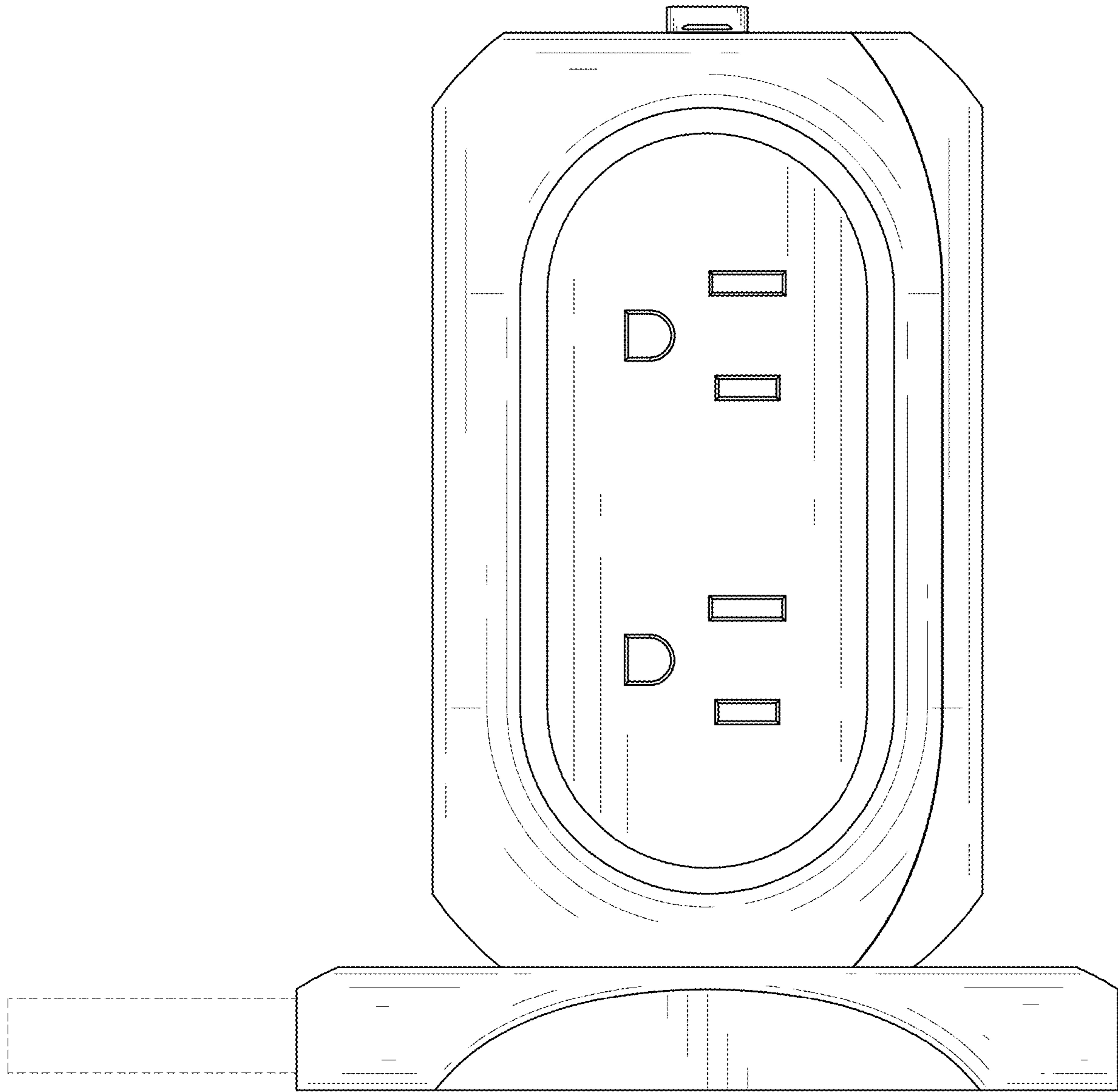


FIG. 12

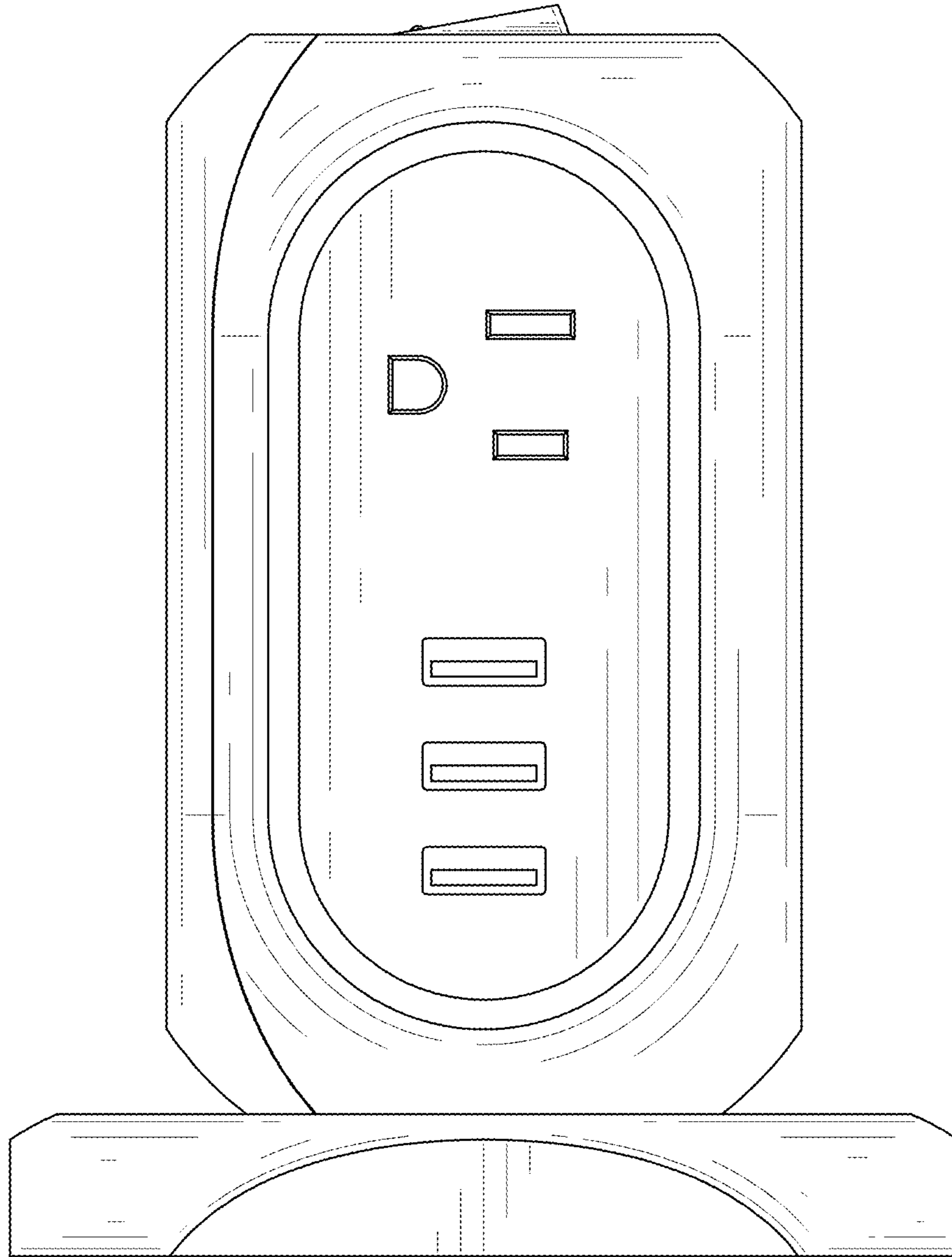


FIG. 13

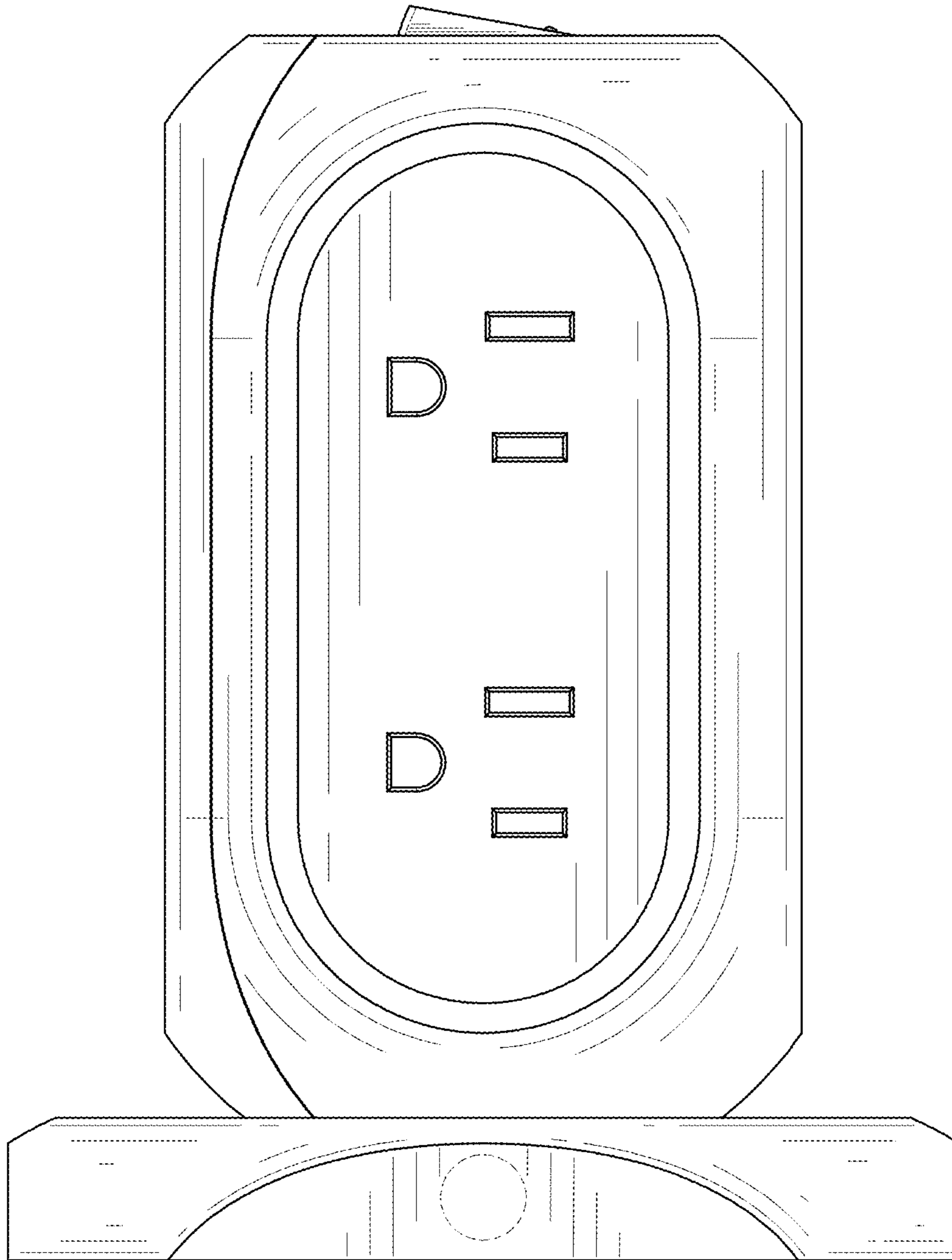


FIG. 14

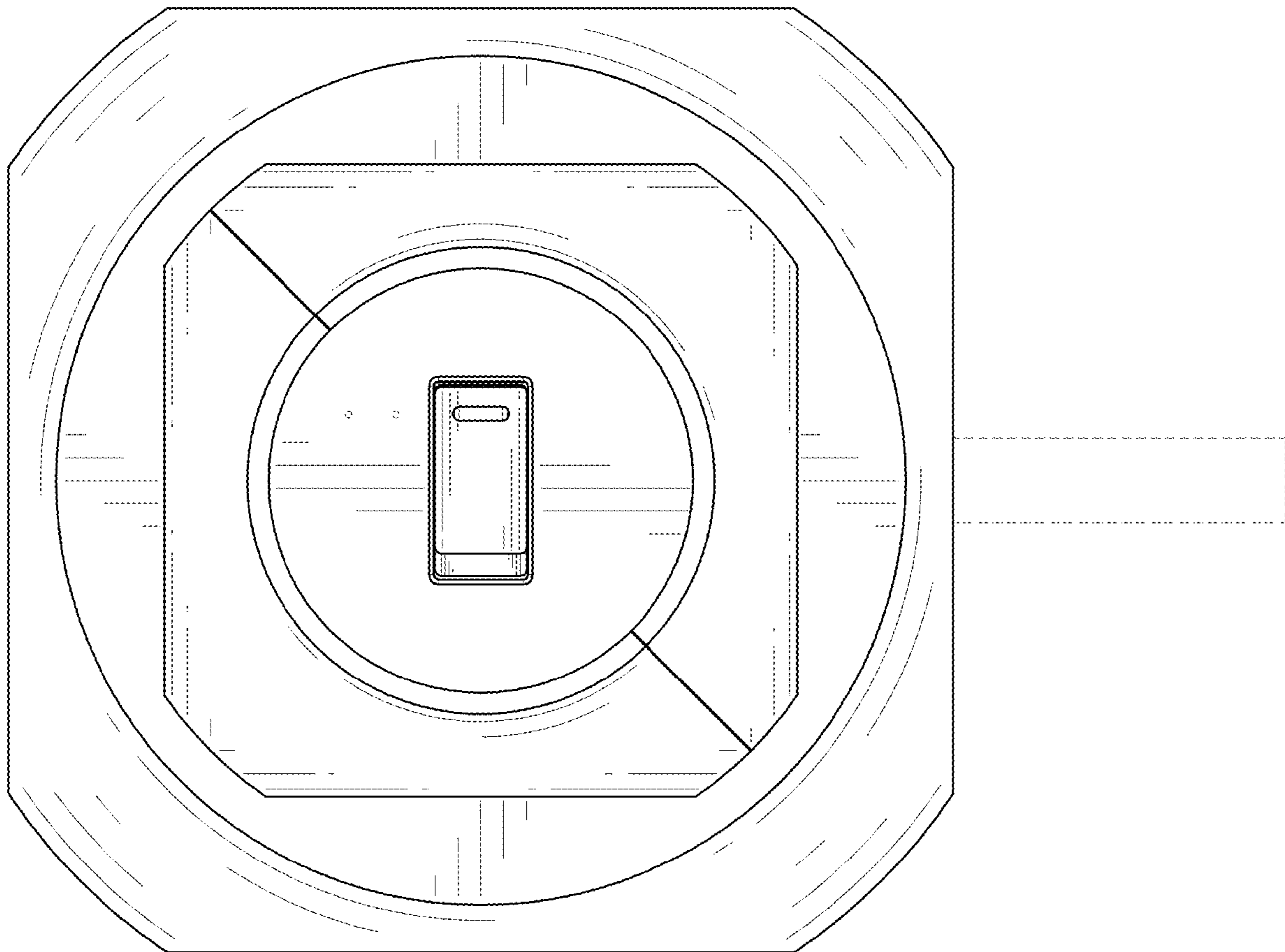


FIG. 15

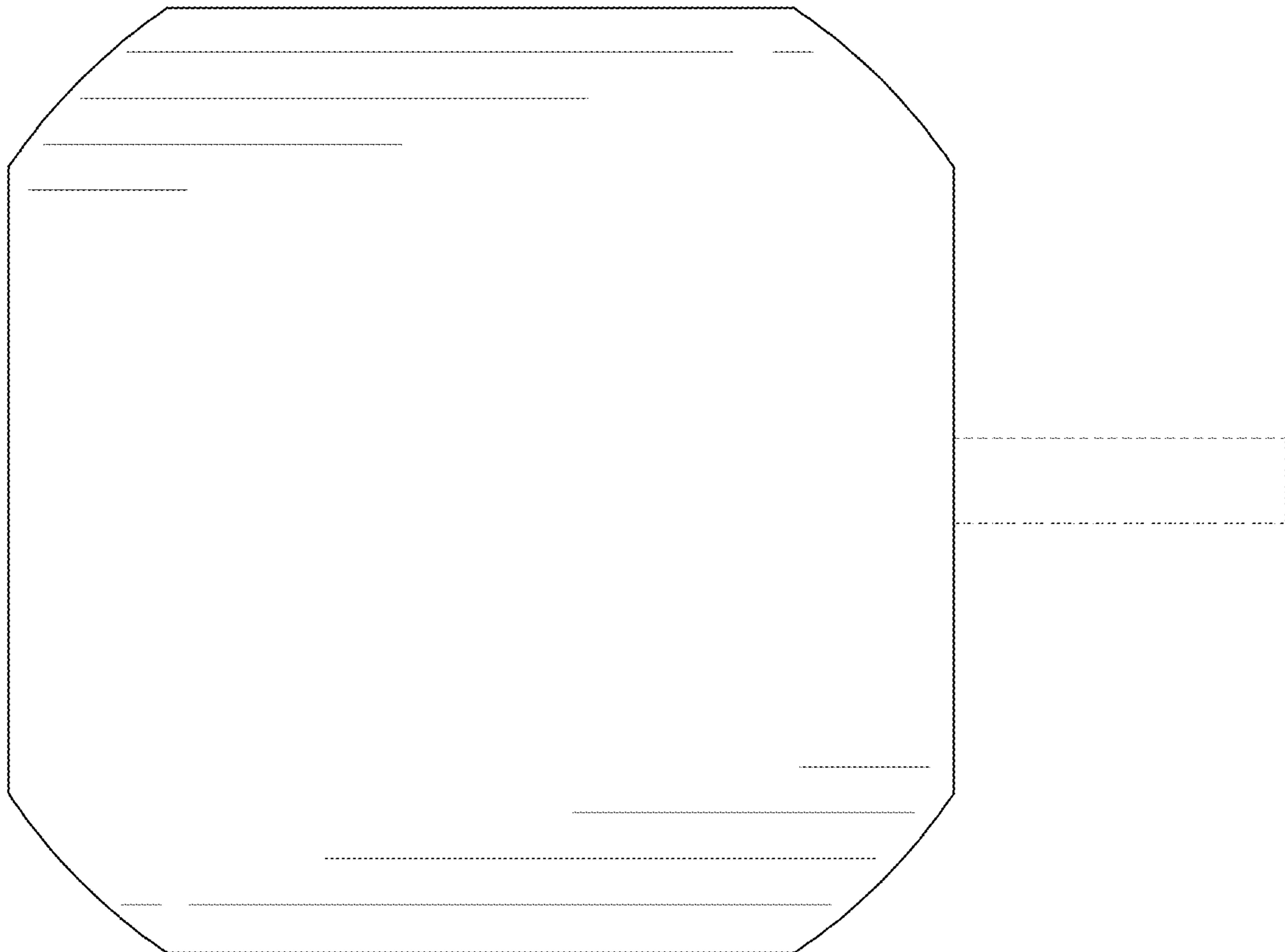


FIG. 16