



US00D935408S

(12) **United States Design Patent**  
**Komoto**

(10) **Patent No.:** **US D935,408 S**

(45) **Date of Patent:** **\*\* Nov. 9, 2021**

(54) **CONNECTOR**

(71) Applicant: **Japan Aviation Electronics Industry, Limited, Tokyo (JP)**

(72) Inventor: **Tetsuya Komoto, Tokyo (JP)**

(73) Assignee: **JAPAN AVIATION ELECTRONICS INDUSTRY, LIMITED, Tokyo (JP)**

(\*\*) Term: **15 Years**

(21) Appl. No.: **29/712,347**

(22) Filed: **Nov. 7, 2019**

(30) **Foreign Application Priority Data**

May 27, 2019 (JP) ..... 2019-011467

(51) **LOC (13) Cl.** ..... **13-03**

(52) **U.S. Cl.**  
USPC ..... **D13/133**

(58) **Field of Classification Search**  
USPC ..... D13/123, 133, 146, 147, 152, 154, 156,  
D13/158, 160, 162, 162.1, 173, 177, 184,  
D13/199, 120

CPC . H01R 4/183; H01R 4/48; H01R 4/60; H01R  
13/02; H01R 13/5816; H01R 13/582;  
H01R 4/643; H01R 4/64; H01R 12/59;  
H01R 39/06; H01R 12/714; H01R  
33/205; A41D 1/002; A41D 1/005

See application file for complete search history.

(56) **References Cited**

**U.S. PATENT DOCUMENTS**

D659,646 S \* 5/2012 Kajiura ..... H01R 12/88  
D13/154  
9,819,122 B1 \* 11/2017 Lewallen ..... A41D 1/005  
10,321,593 B1 \* 6/2019 Lettow ..... H01R 12/59  
10,886,650 B1 \* 1/2021 Komoto ..... H01R 12/69  
2004/0082211 A1 \* 4/2004 Hsieh ..... H04R 1/06  
439/329

2010/0149767 A1 \* 6/2010 Biesheuvel ..... H01R 4/58  
361/760  
2013/0002089 A1 \* 1/2013 Li ..... H01R 39/06  
310/232  
2017/0112200 A1 \* 4/2017 Mason ..... H01R 13/73  
2017/0125940 A1 \* 5/2017 Karagozler ..... H01R 39/64  
2017/0279230 A1 \* 9/2017 Komoto ..... H01R 13/73  
2017/0288338 A1 \* 10/2017 Komoto ..... H01R 13/6278

(Continued)

**OTHER PUBLICATIONS**

Electrical connectors. (Design—© Questel) orbit.com. [Online PDF compilation of references] 12 pgs. Print Dates Range Jul. 7, 2008-Feb. 5, 2021 [Retrieved Mar. 1, 2021] <https://www.orbit.com/export/UCZAH96B/pdf4/9cffadca-6ef4-4d33-a26f-8be1943e90a6-203406.pdf> (Year: 2021).\*

*Primary Examiner* — Susan Bennett Hattan

*Assistant Examiner* — Landon Thomas Cassell

(74) *Attorney, Agent, or Firm* — Manabu Kanesaka

(57) **CLAIM**

The ornamental design for a connector, as shown and described.

**DESCRIPTION**

FIG. 1 is a front elevational view of a connector showing my new design;

FIG. 2 is a rear elevational view thereof;

FIG. 3 is a right side elevational view thereof;

FIG. 4 is a left side elevational view thereof;

FIG. 5 is a top plan view thereof;

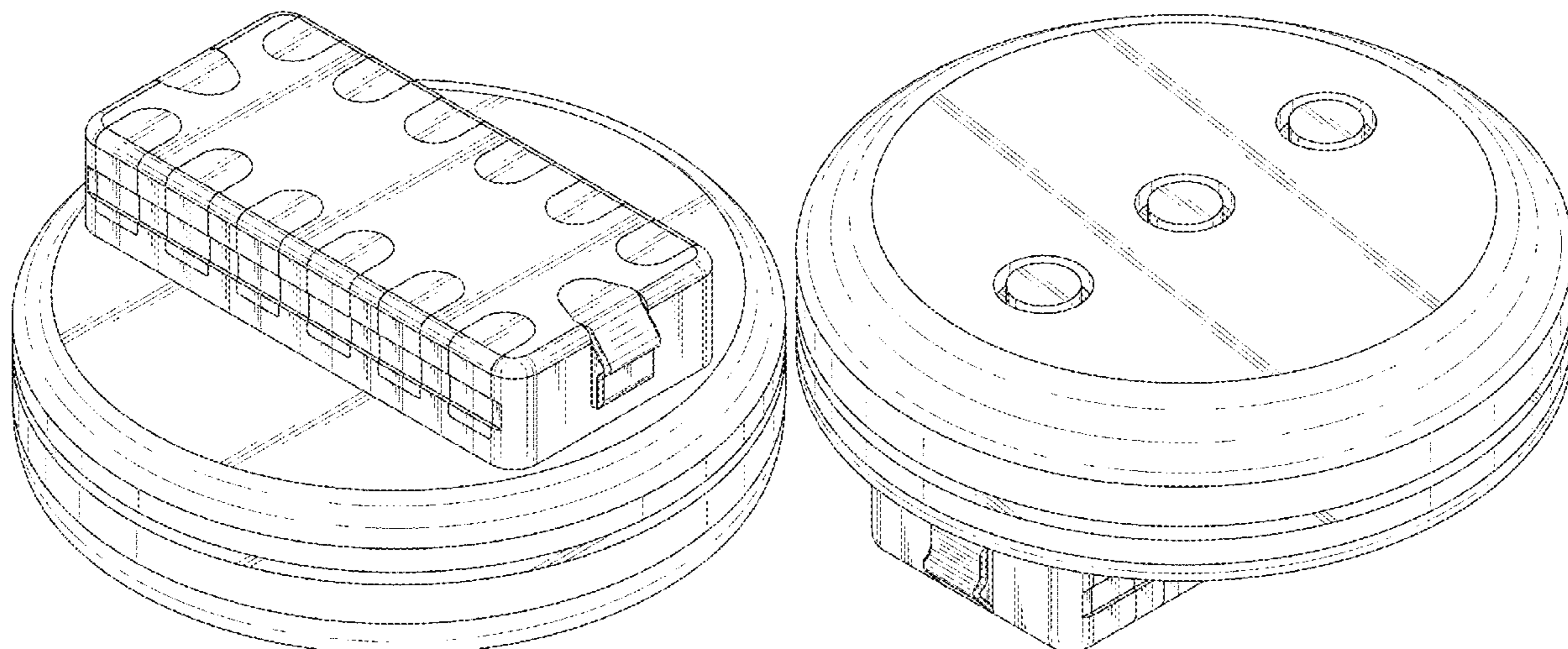
FIG. 6 is a bottom plan view thereof;

FIG. 7 is a perspective view showing a front, top and right side thereof; and,

FIG. 8 is a perspective view showing a rear, bottom and left side thereof.

The broken line showing of the connector is for the purpose of illustrating portions of the article and forms no part of the claimed design.

**1 Claim, 8 Drawing Sheets**



(56)

**References Cited**

U.S. PATENT DOCUMENTS

2018/0085283 A1\* 3/2018 Rahman ..... A41D 1/005  
2018/0175564 A1\* 6/2018 Komoto ..... H01R 13/625  
2018/0233854 A1\* 8/2018 Komoto ..... H01R 12/58  
2019/0089073 A1\* 3/2019 Mori ..... B60K 15/05  
2019/0372268 A1\* 12/2019 Sitbon ..... A41D 1/005  
2020/0022425 A1\* 1/2020 Hashiguchi ..... A41D 1/005  
2020/0028299 A1\* 1/2020 Koyama ..... A41D 1/005  
2020/0052441 A1\* 2/2020 Matsuo ..... A41D 1/005  
2020/0366010 A1\* 11/2020 Nakamura ..... H01R 12/771

\* cited by examiner

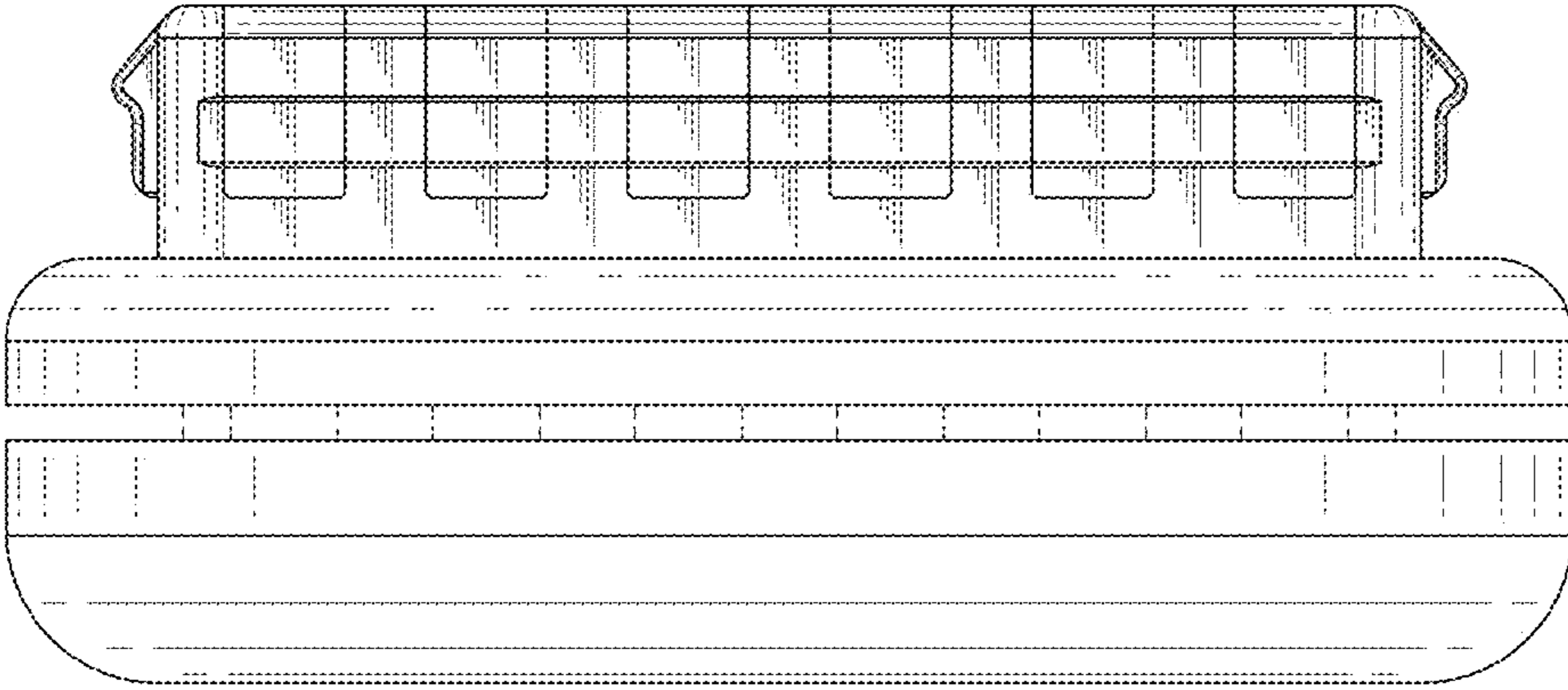


FIG. 1

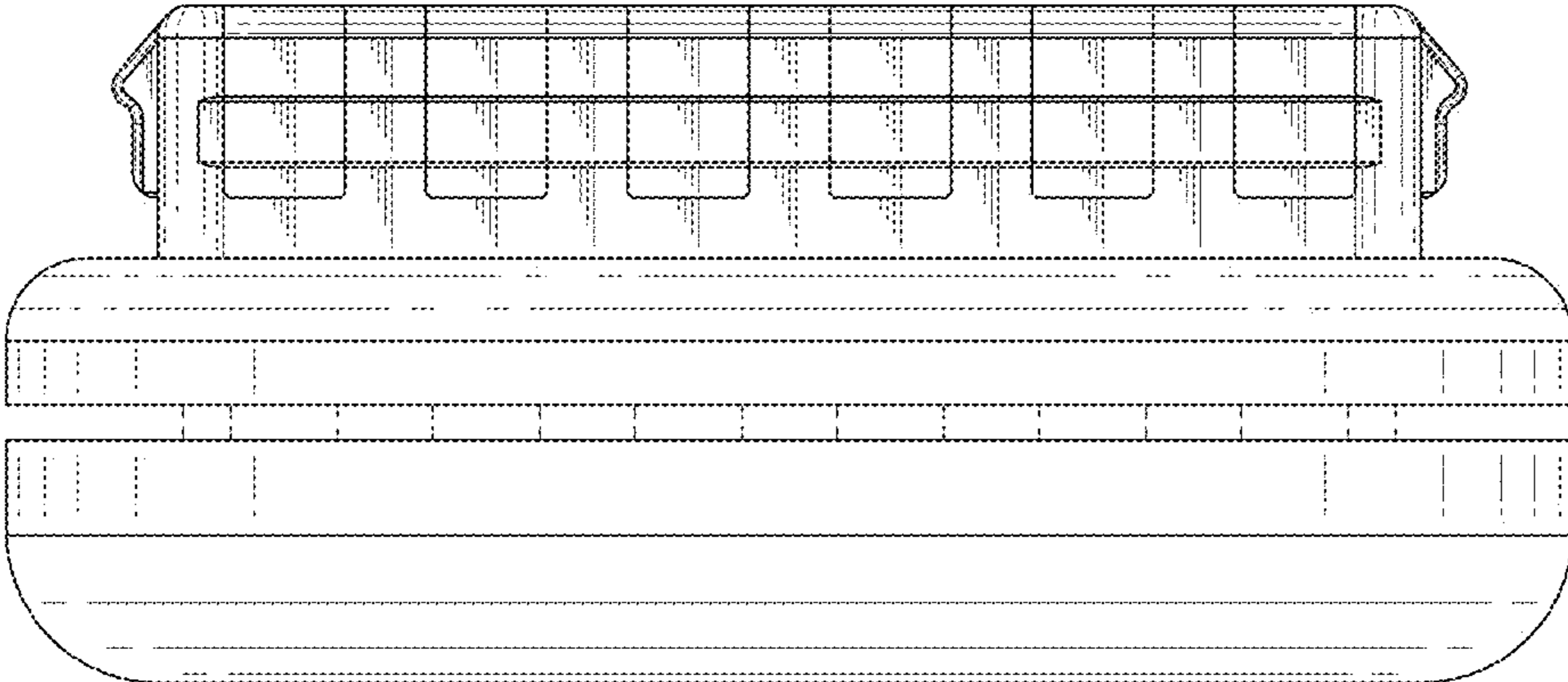


FIG. 2

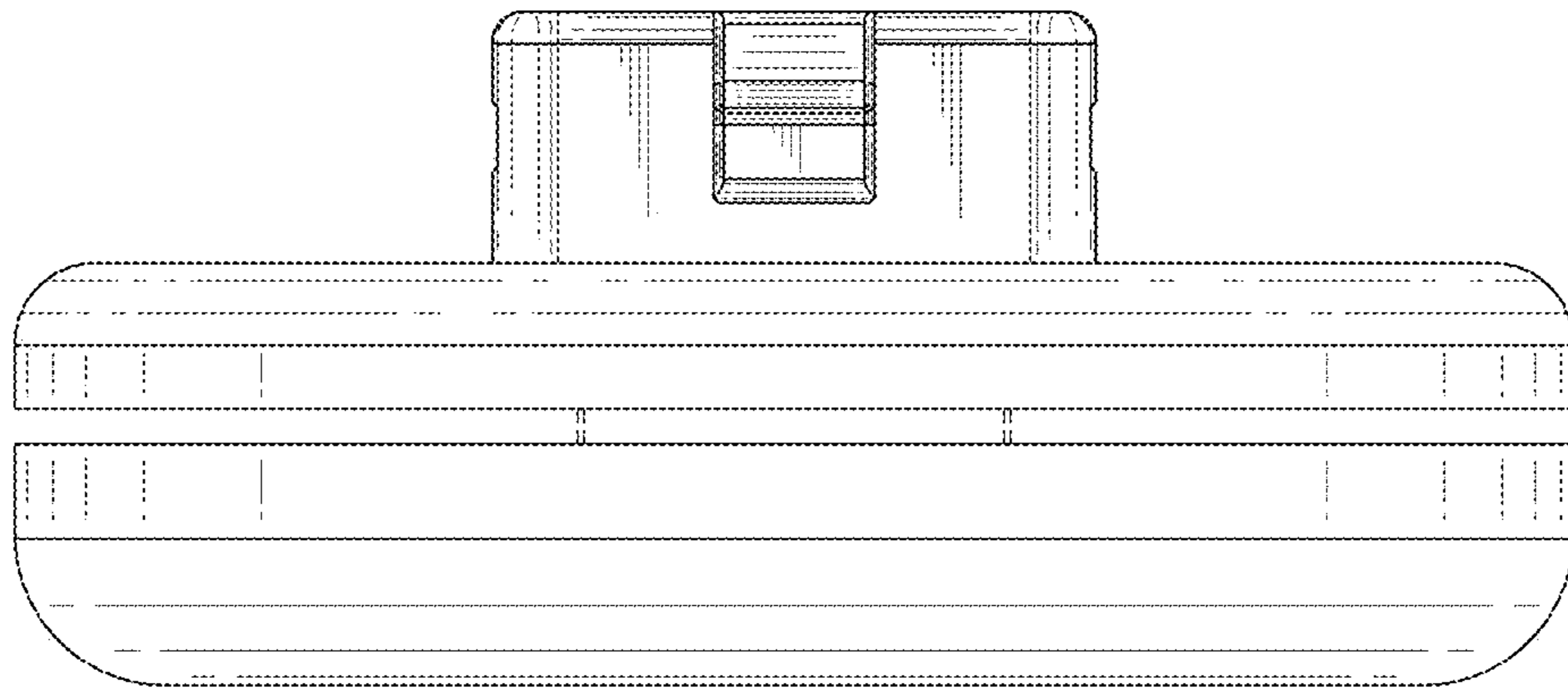


FIG. 3

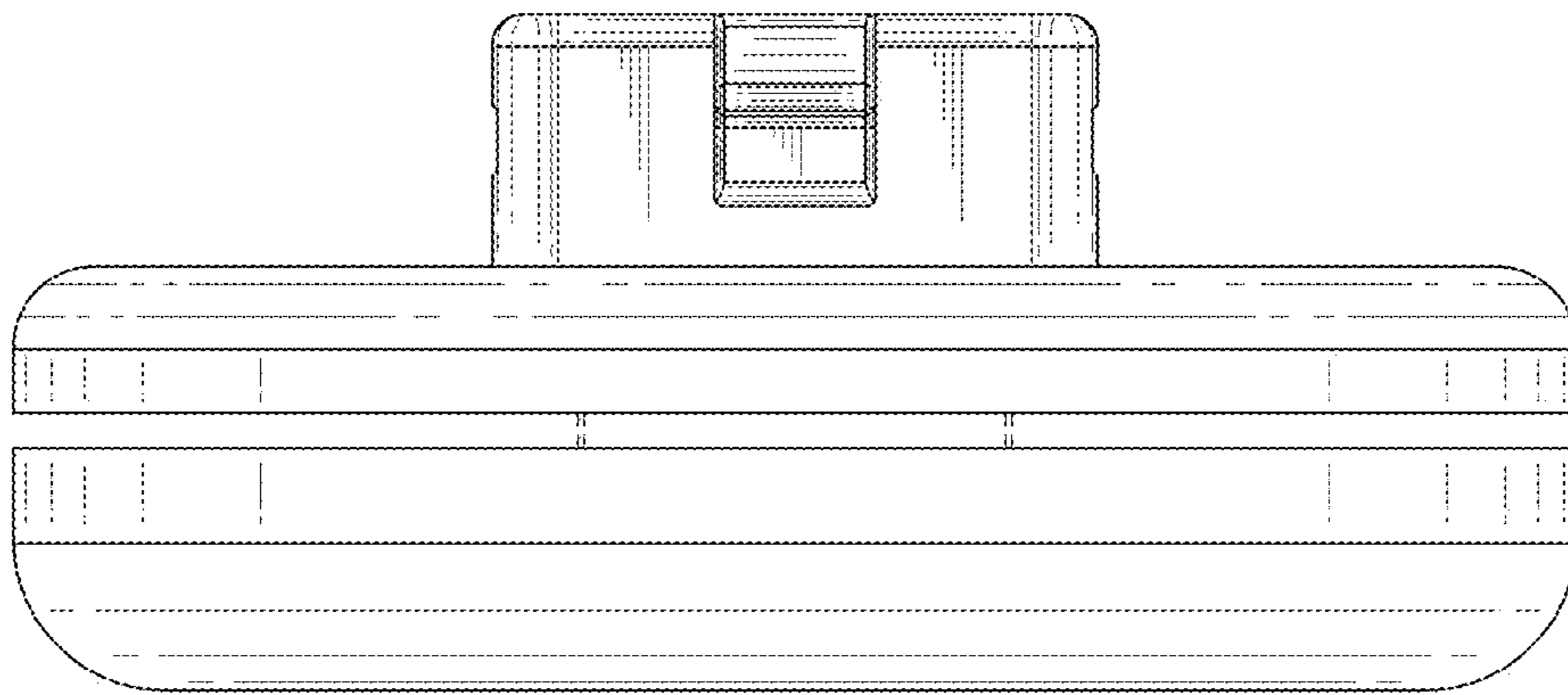


FIG. 4

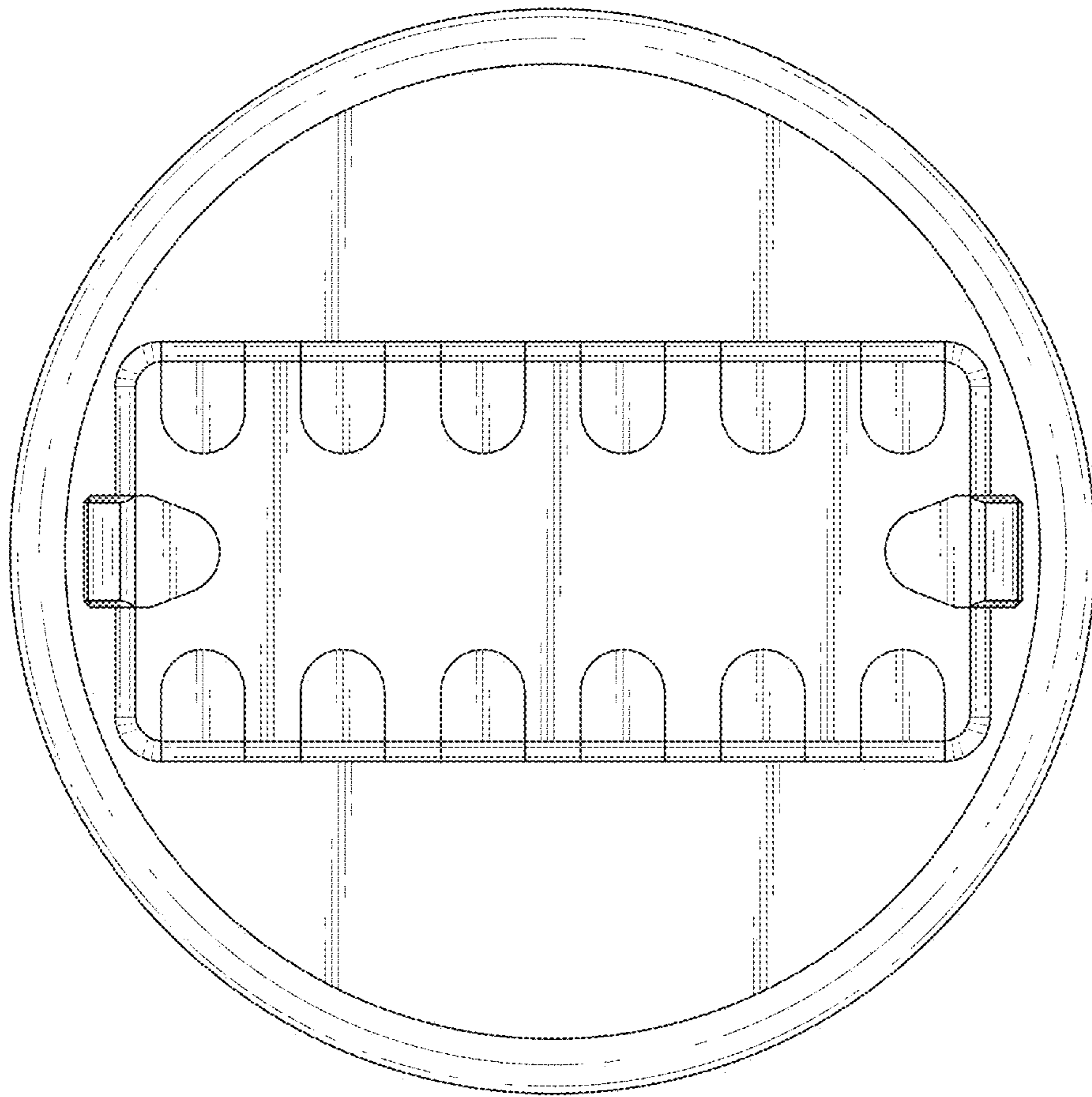


FIG. 5

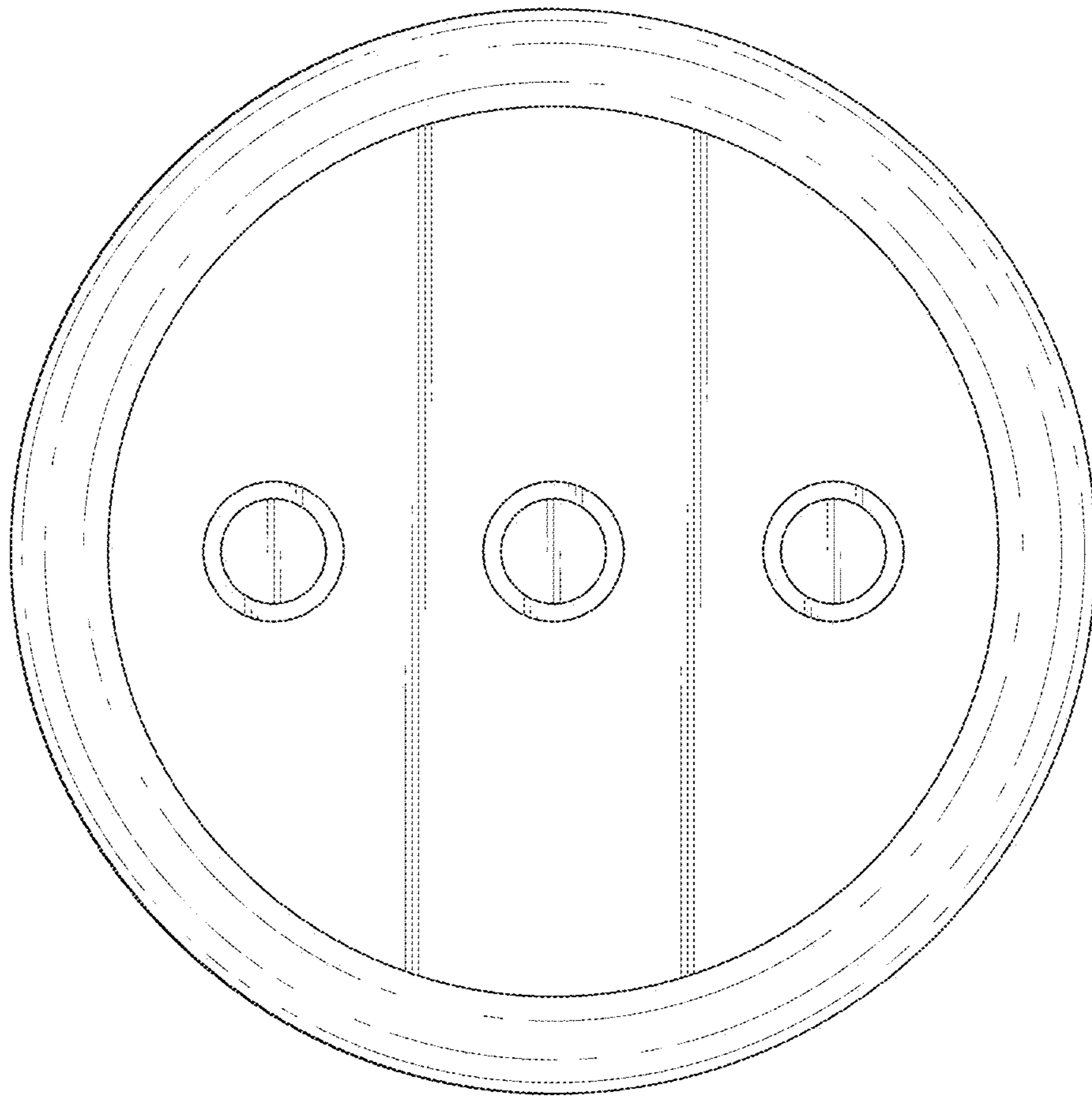


FIG. 6



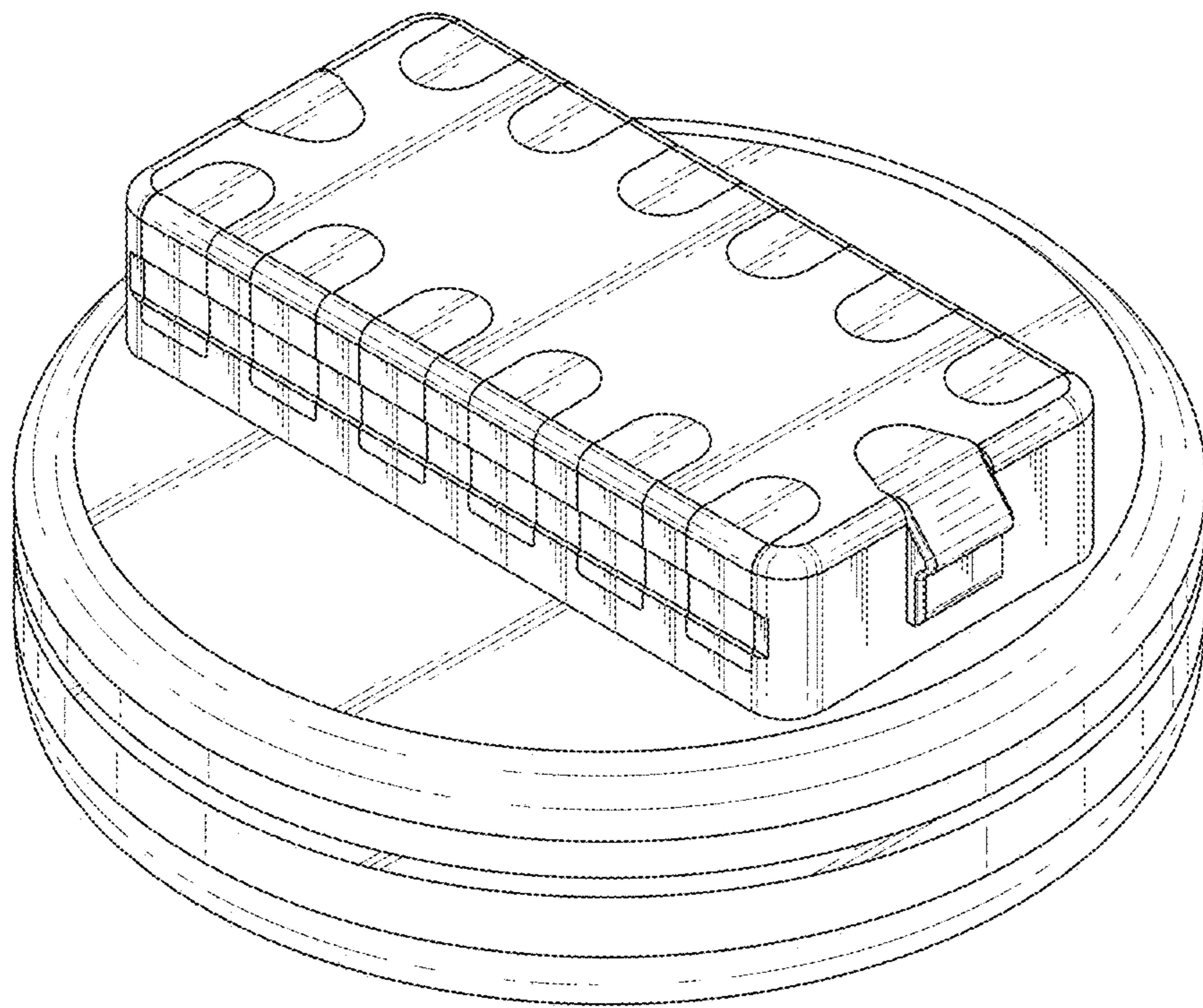


FIG. 7

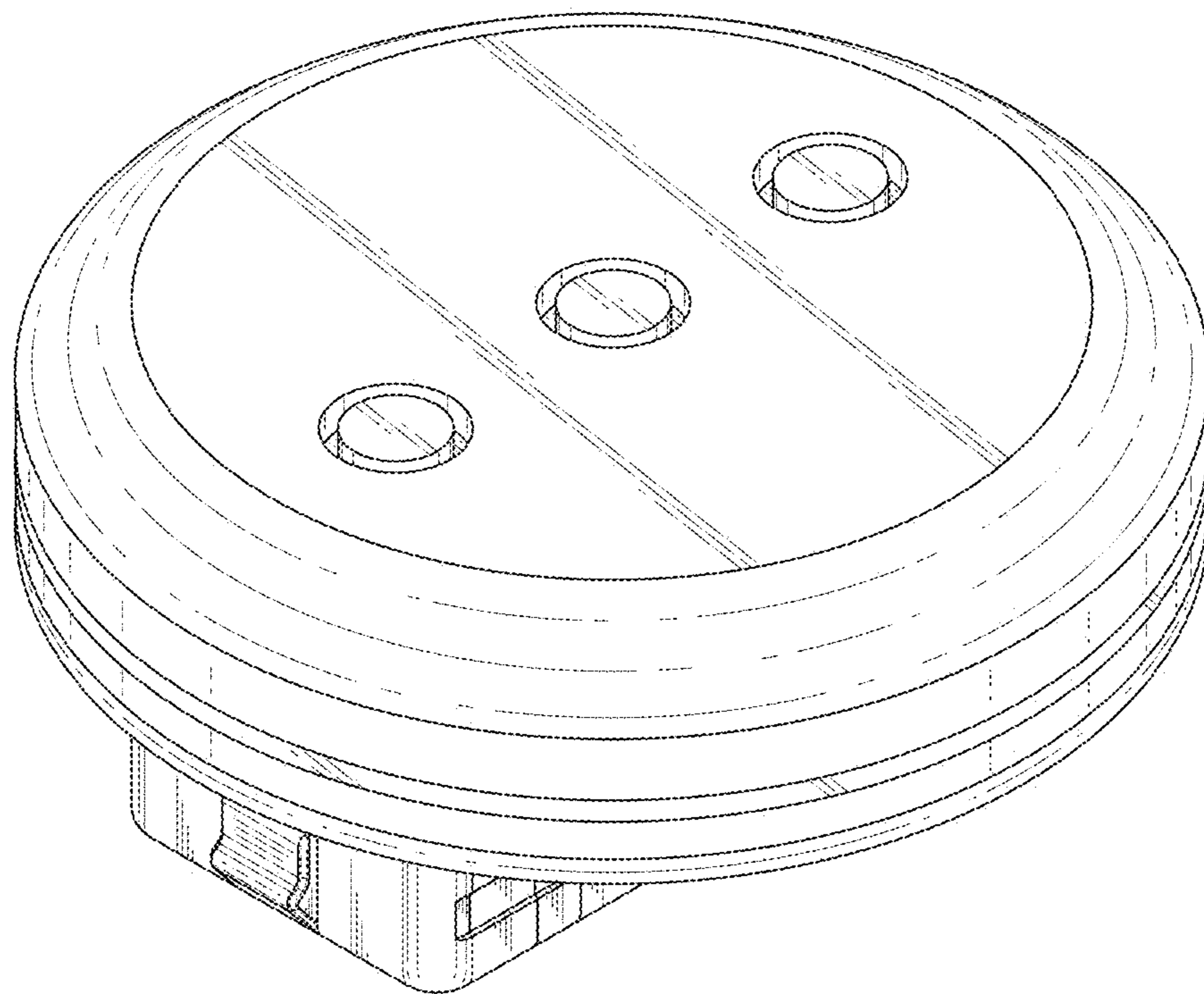


FIG. 8