



US00D935407S

(12) **United States Design Patent**
Moriya

(10) **Patent No.:** **US D935,407 S**

(45) **Date of Patent:** **** Nov. 9, 2021**

(54) **CORE**
(71) Applicant: **SUMIDA CORPORATION**, Tokyo
(JP)
(72) Inventor: **Hitoshi Moriya**, Natori (JP)
(73) Assignee: **SUMIDA CORPORATION**
(**) Term: **15 Years**

6,778,055 B1 * 8/2004 Wang H01F 17/045
336/208
7,129,810 B1 * 10/2006 Kimura H01F 17/043
336/83
7,471,179 B2 * 12/2008 Hatakeyama H01F 17/045
336/192
7,889,045 B2 * 2/2011 Tomonari H01F 19/04
336/200
D665,740 S * 8/2012 Yamada D13/117
D830,972 S * 10/2018 Numajiri D13/117
(Continued)

(21) Appl. No.: **29/738,347**

FOREIGN PATENT DOCUMENTS

(22) Filed: **Jun. 17, 2020**

JP 1638080 S 8/2019
JP 1646774 S 12/2019
JP 1649741 S 1/2020

(30) **Foreign Application Priority Data**

OTHER PUBLICATIONS

Dec. 27, 2019 (JP) 2019-029276

U.S. Appl. No. 29/698,498, filed Jul. 17, 2019; Inventor—Hitoshi Moriya.

(51) **LOC (13) Cl.** **13-02**

(52) **U.S. Cl.**
USPC **D13/117**

(Continued)

(58) **Field of Classification Search**
USPC D13/117, 101, 118, 133, 179, 183, 199;
D15/5, 199
CPC H01F 27/02; H01F 27/04; H01F 27/24;
H01F 27/26; H01F 27/28; H01F 27/29;
H01F 27/30; H01F 27/34; H01F 27/006;
H01F 27/292; H01F 27/325; H01F
27/2823; H01F 38/08; H01F 17/04; H01F
17/045; H01F 37/00; H01F 41/06; H01F
41/0246; H02M 3/28

Primary Examiner — Derrick E Holland
(74) *Attorney, Agent, or Firm* — Harness, Dickey & Pierce, P.L.C.

See application file for complete search history.

(57) **CLAIM**

The ornamental design for a core, as shown and described.

(56) **References Cited**

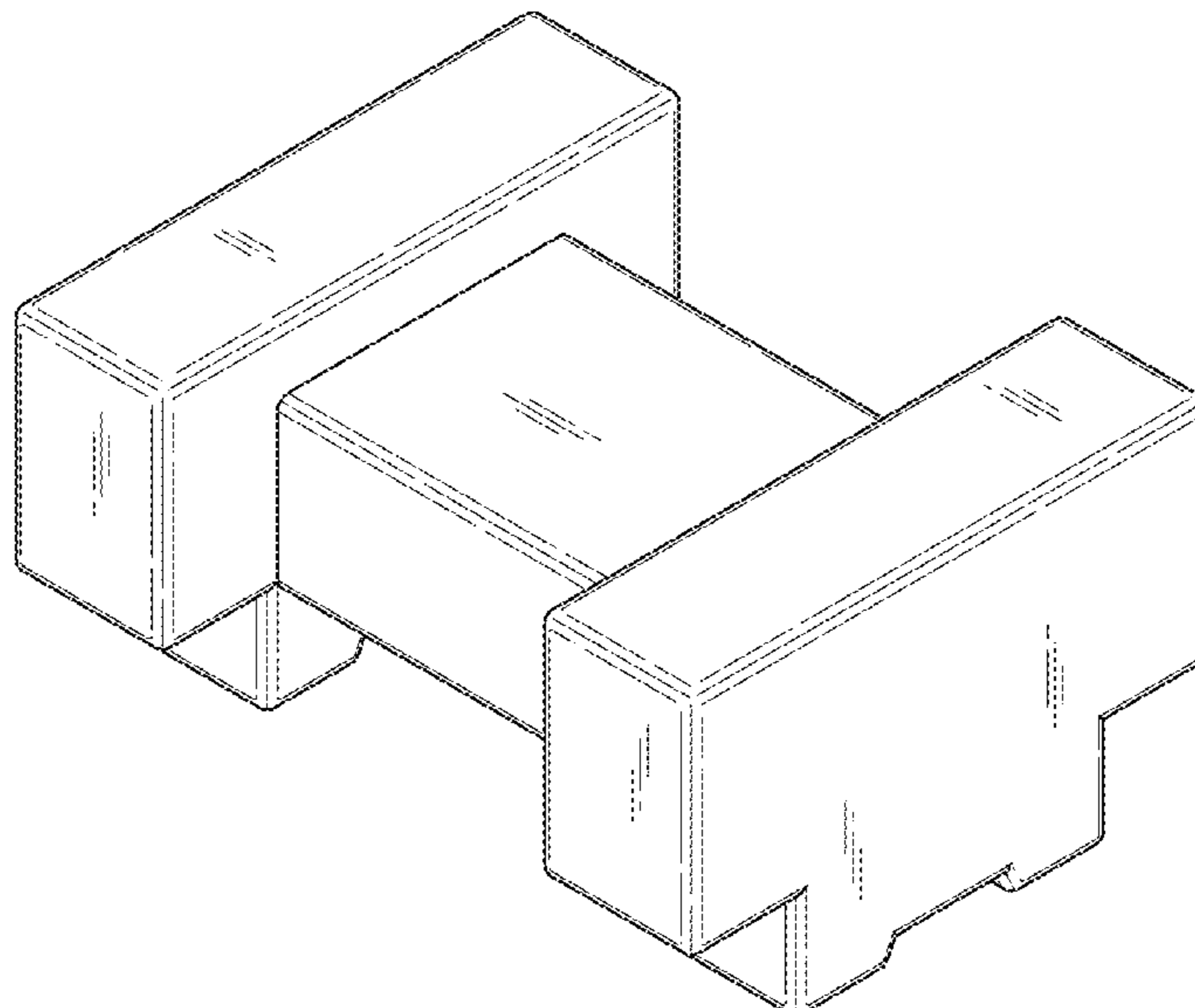
DESCRIPTION

U.S. PATENT DOCUMENTS

FIG. 1 is a front elevational view of a core according to my new design, the rear being a mirror image;
FIG. 2 is a right side elevational view thereof, the left side being a mirror image;
FIG. 3 is a top plan view thereof;
FIG. 4 is a bottom plan view thereof;
FIG. 5 is an upper perspective view thereof; and,
FIG. 6 is a lower perspective view thereof.

3,898,601 A * 8/1975 Meindl H01F 17/04
336/136
5,140,291 A * 8/1992 Mulder H01F 27/255
336/198
D330,189 S * 10/1992 Burrow D13/118
D463,365 S * 9/2002 Sakai D13/118

1 Claim, 6 Drawing Sheets



(56)

References Cited

U.S. PATENT DOCUMENTS

2009/0144967 A1* 6/2009 Hasu H01F 27/2847
29/605
2018/0342346 A1* 11/2018 Hashimoto H01F 27/24
2019/0172630 A1* 6/2019 Asai H01F 17/04

OTHER PUBLICATIONS

Notification of Japanese Design Application No. 2019-029276,
dated Mar. 17, 2020 (3 pages).

* cited by examiner

FIG. 1

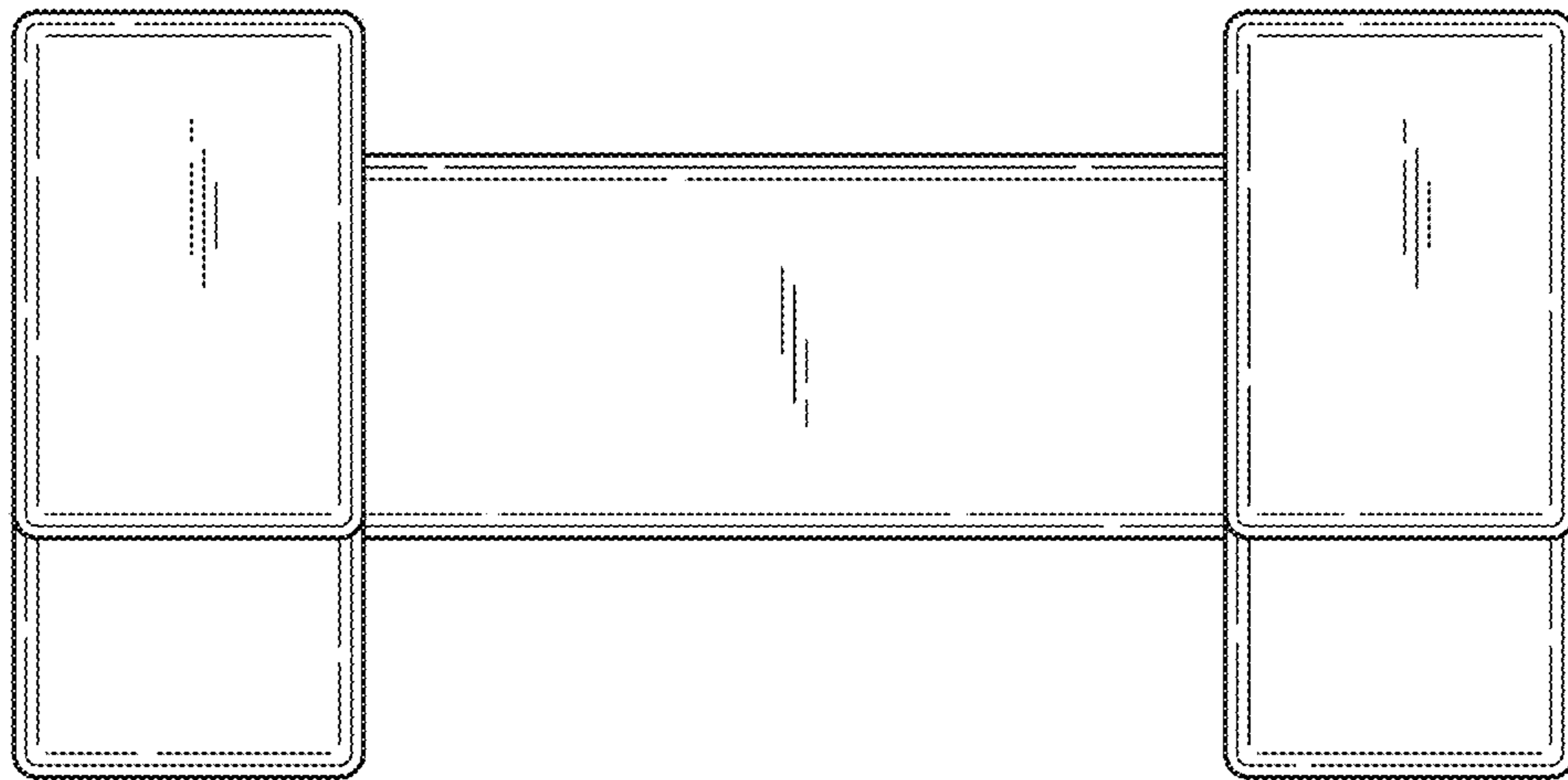


FIG.2

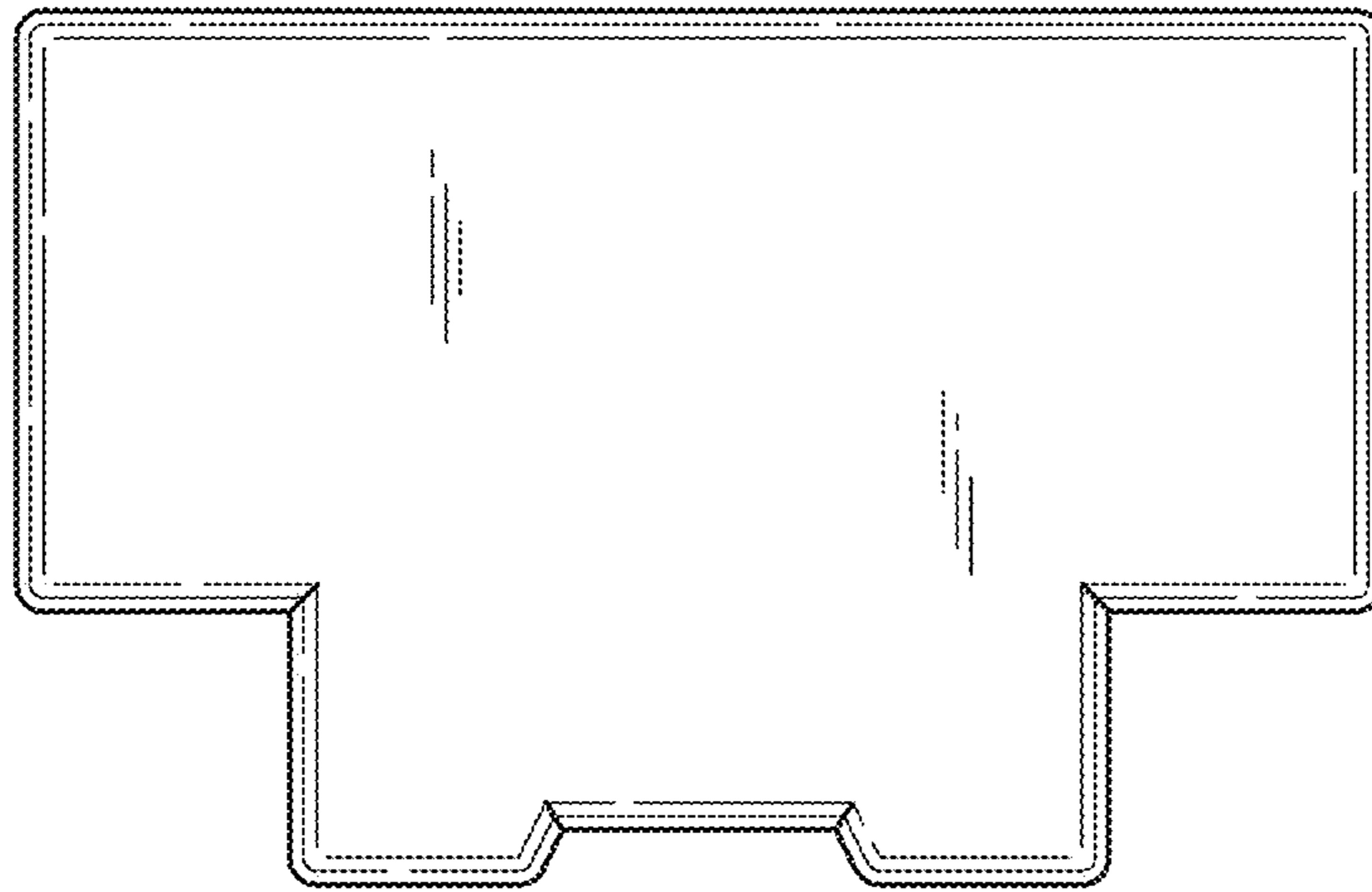


FIG.3

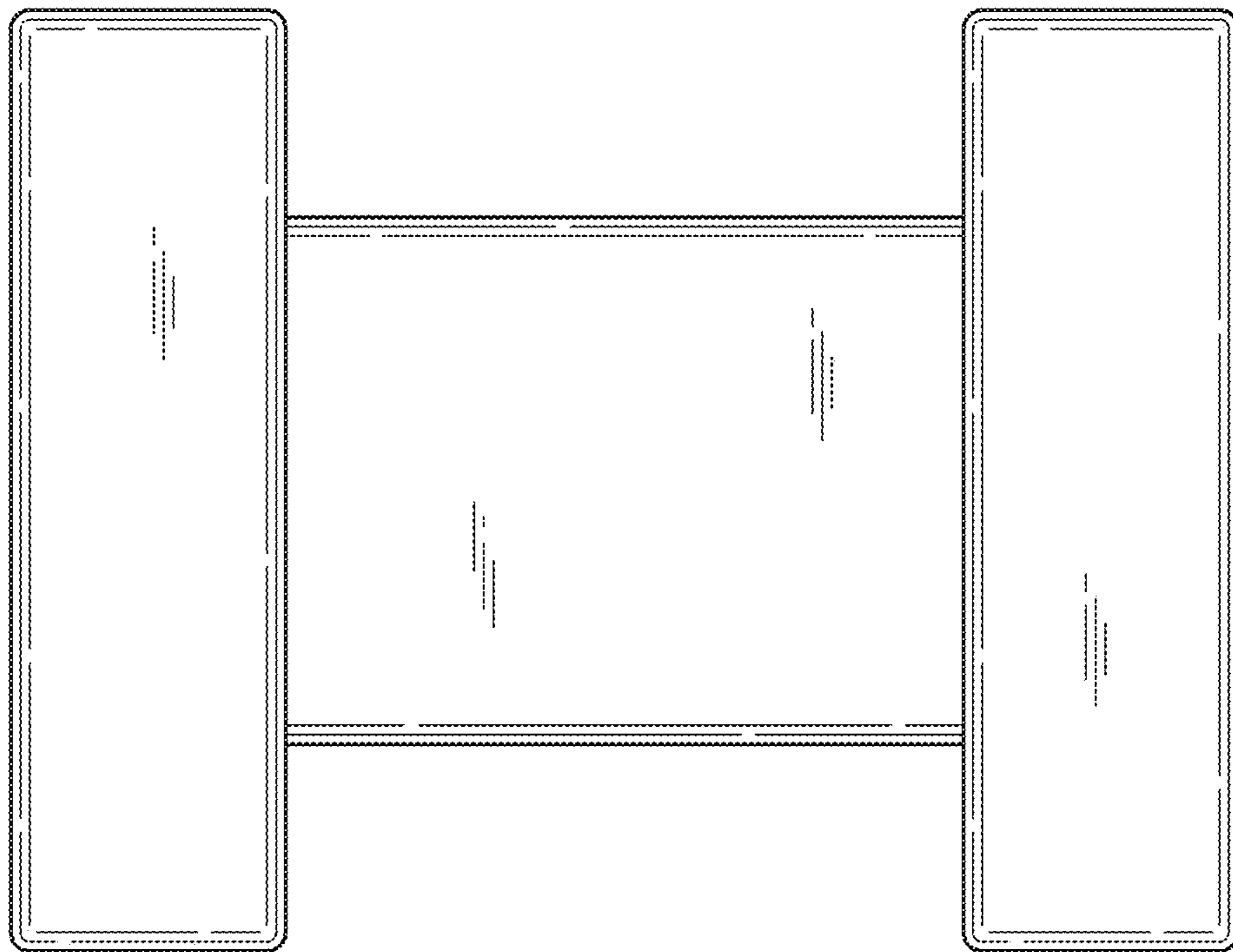


FIG.4

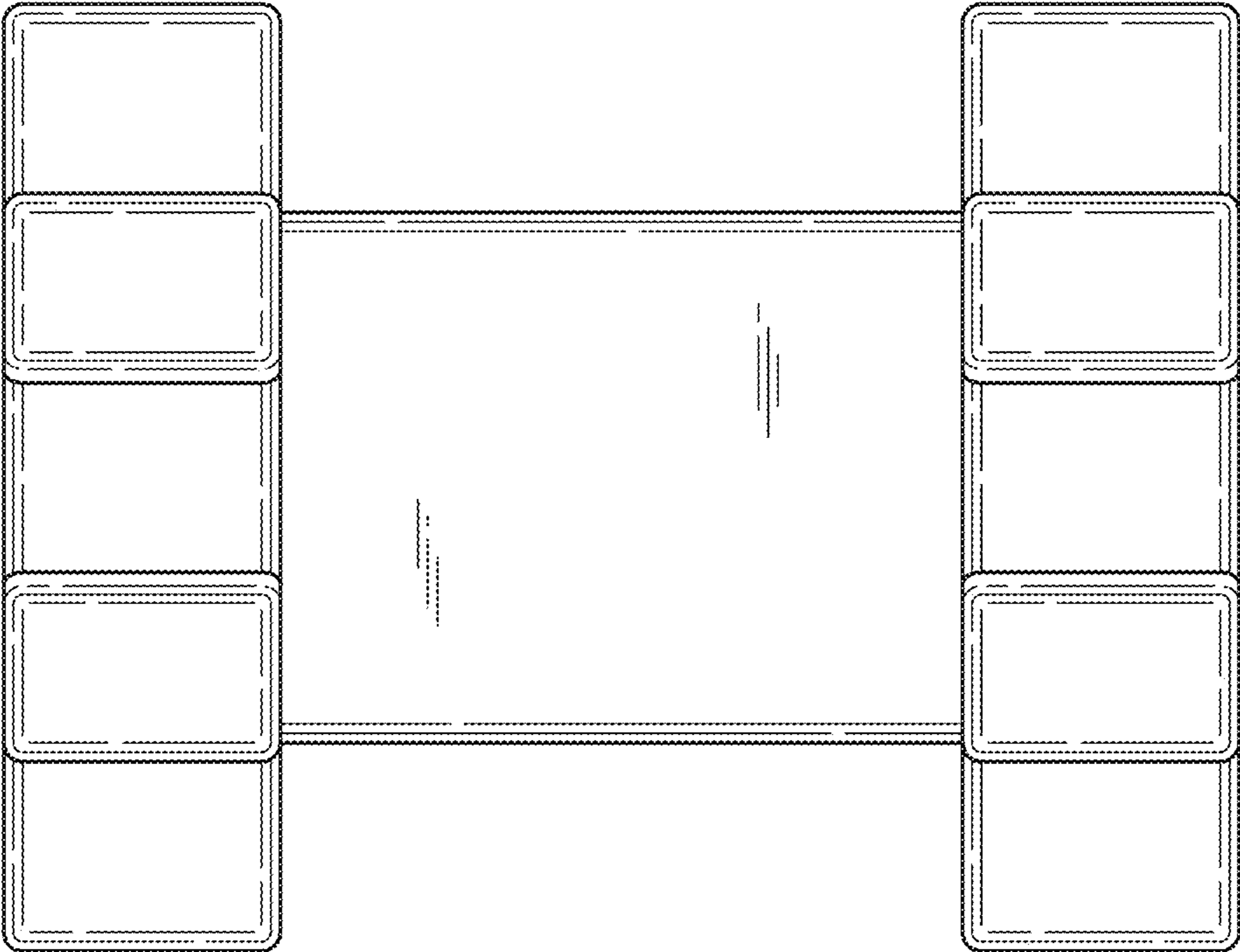


FIG.5

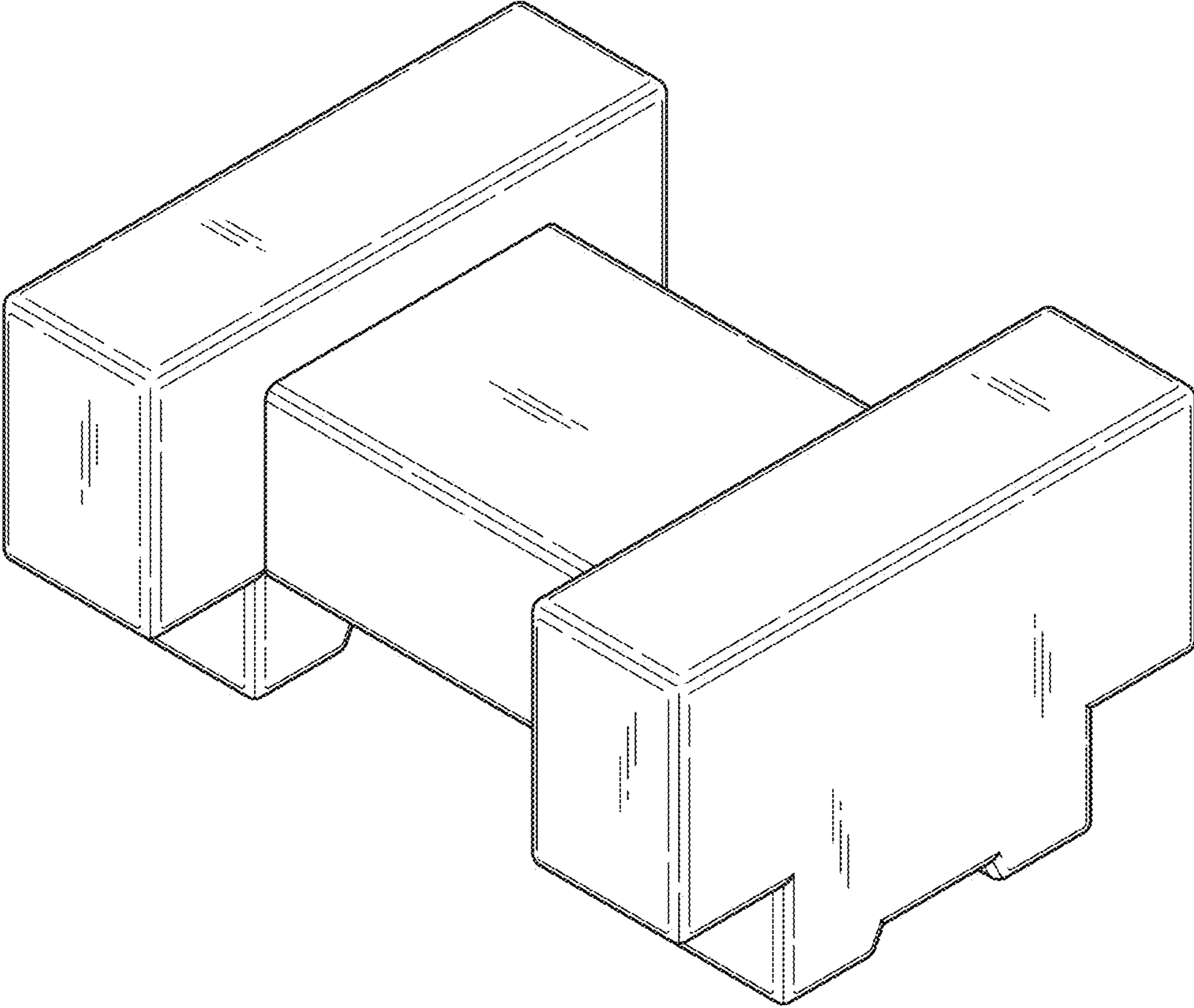


FIG.6

