



US00D935406S

(12) **United States Design Patent** (10) **Patent No.:** **US D935,406 S**
Geiken et al. (45) **Date of Patent:** **** Nov. 9, 2021**

(54) **ROTOR HUB FOR WIND TURBINES**

(56) **References Cited**

(71) Applicant: **Wobben Properties GmbH**, Aurich (DE)

U.S. PATENT DOCUMENTS

(72) Inventors: **Peter Geiken**, Emden (DE); **Ihno Coordes**, Ihlow (DE); **Jan-Ulfert Smit**, Grobefehn (DE); **Thorsten Fleßner**, Aurich (DE); **Joan Kreikenbaum**, Aurich (DE)

D58,095 S *	6/1921	Mathews	D13/126
D320,191 S *	9/1991	Yamaguchi	D13/112
D552,543 S *	10/2007	Su	D13/118
D610,542 S *	2/2010	Raisanen	D13/115
D612,804 S *	3/2010	Schmeisser	D13/122
D617,731 S *	6/2010	Starck	D13/115
D716,228 S *	10/2014	McCamley	D13/115
D726,110 S *	4/2015	Wang	D13/122
9,394,910 B2 *	7/2016	Rohden	F04D 19/00
D818,414 S *	5/2018	Bills	D12/214
9,962,776 B2 *	5/2018	Gopfert	B23D 29/002
10,023,441 B2 *	7/2018	Meyer	B66C 1/108
10,066,602 B2 *	9/2018	Beekmann	F03D 1/06
D836,763 S *	12/2018	Kim	D23/365
D849,070 S *	5/2019	Schollmayer	C03B 5/1672
				D15/130
D849,685 S *	5/2019	Tsuji	D13/122
D851,331 S *	6/2019	Grace	D28/18
D852,136 S *	6/2019	Yoshida	D13/122
D870,012 S *	12/2019	Hopkins, III	D12/214
D910,834 S *	2/2021	Wang	D23/413
2013/0272894 A1 *	10/2013	Sieger	F03B 17/06
				416/241 R

(73) Assignee: **Wobben Properties GmbH**, Aurich (DE)

(**) Term: **15 Years**

(21) Appl. No.: **35/508,857**

(22) Filed: **Aug. 6, 2019**

(80) **Hague Agreement Data**

Int. Filing Date: **Aug. 6, 2019**
Int. Reg. No.: **DM/206485**
Int. Reg. Date: **Aug. 6, 2019**
Int. Reg. Pub. Date: **Mar. 20, 2020**

(30) **Foreign Application Priority Data**

Feb. 7, 2019 (EM) 006193009

(51) **LOC (13) Cl.** **13-01**

(52) **U.S. Cl.**
USPC **D13/115**

(58) **Field of Classification Search**
USPC D13/115, 112, 122, 118, 126; D23/413, D23/365; D12/214; D28/18; D15/130
CPC F03D 1/06; B66C 1/108; B23D 29/002; F04D 19/00; F03B 17/06; C03B 5/1672
See application file for complete search history.

* cited by examiner

Primary Examiner — Rhea Shields
(74) *Attorney, Agent, or Firm* — Seed IP Law Group LLP

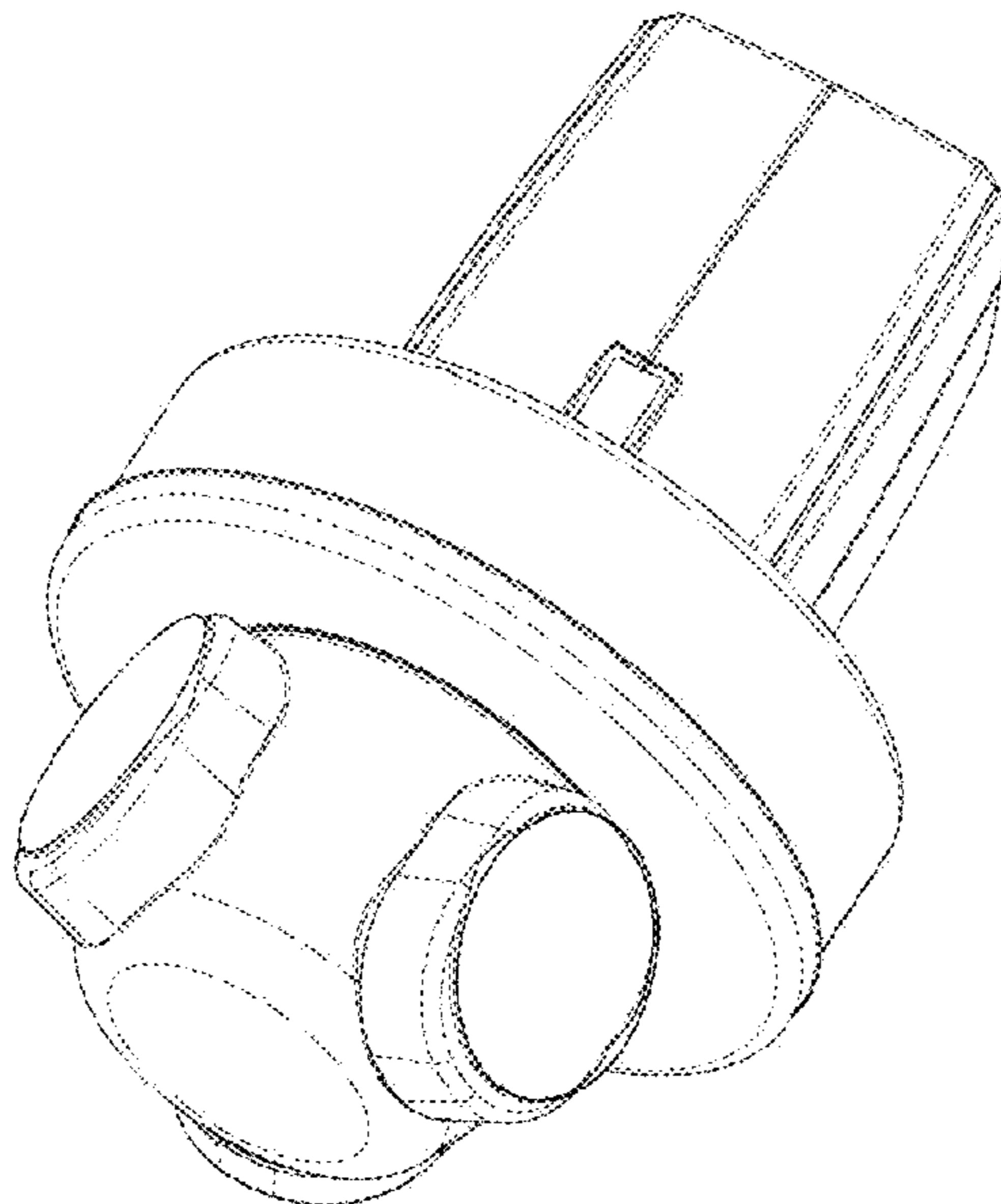
(57) **CLAIM**

The ornamental design for a rotor hub for wind turbines, as shown and described.

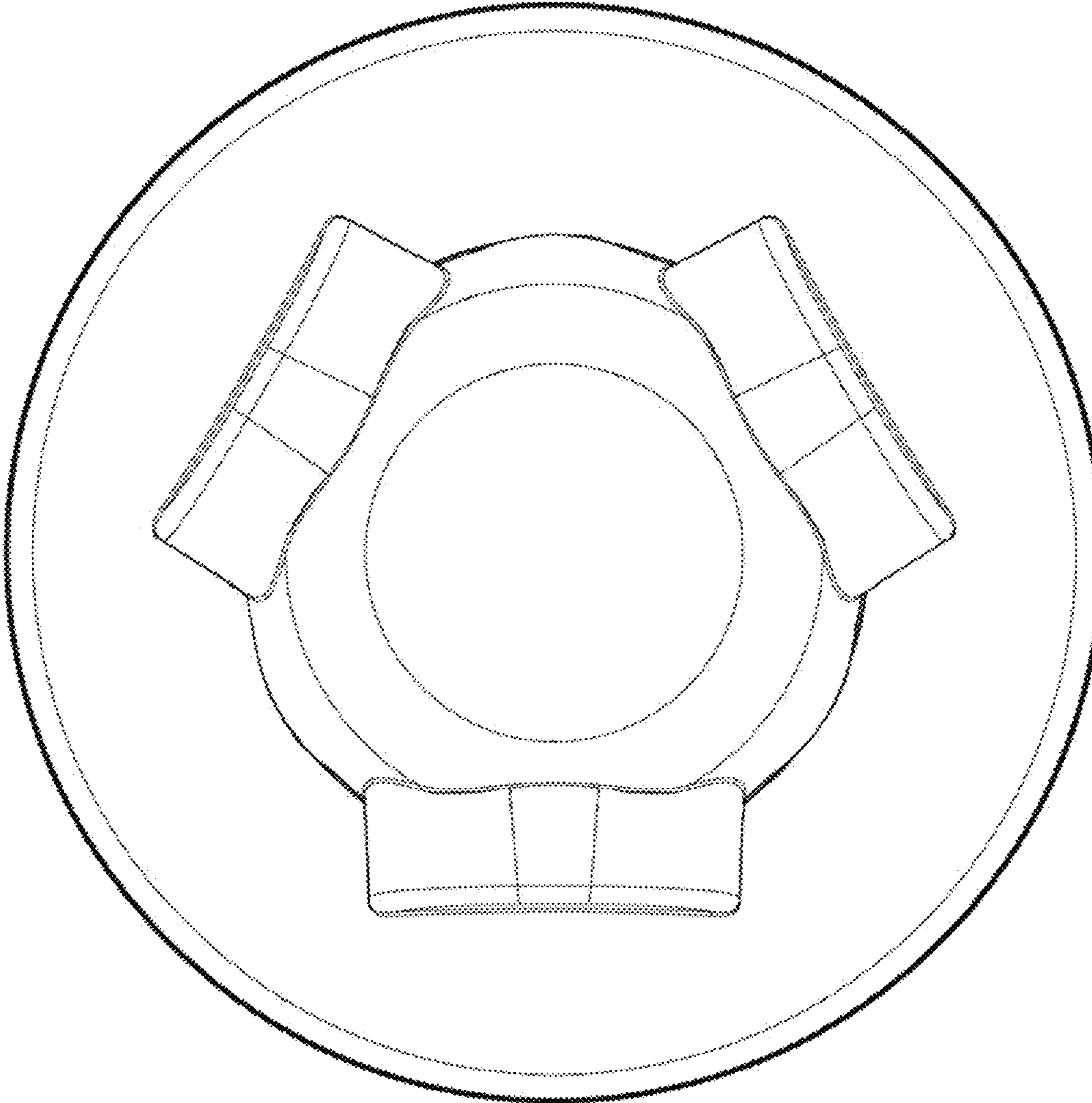
DESCRIPTION

- 2.1 is a front view;
- 2.2 is a right side view;
- 2.3 is a back view;
- 2.4 is a top view;
- 2.5 is a top front isometric view; and
- 2.6 is a top back isometric view.

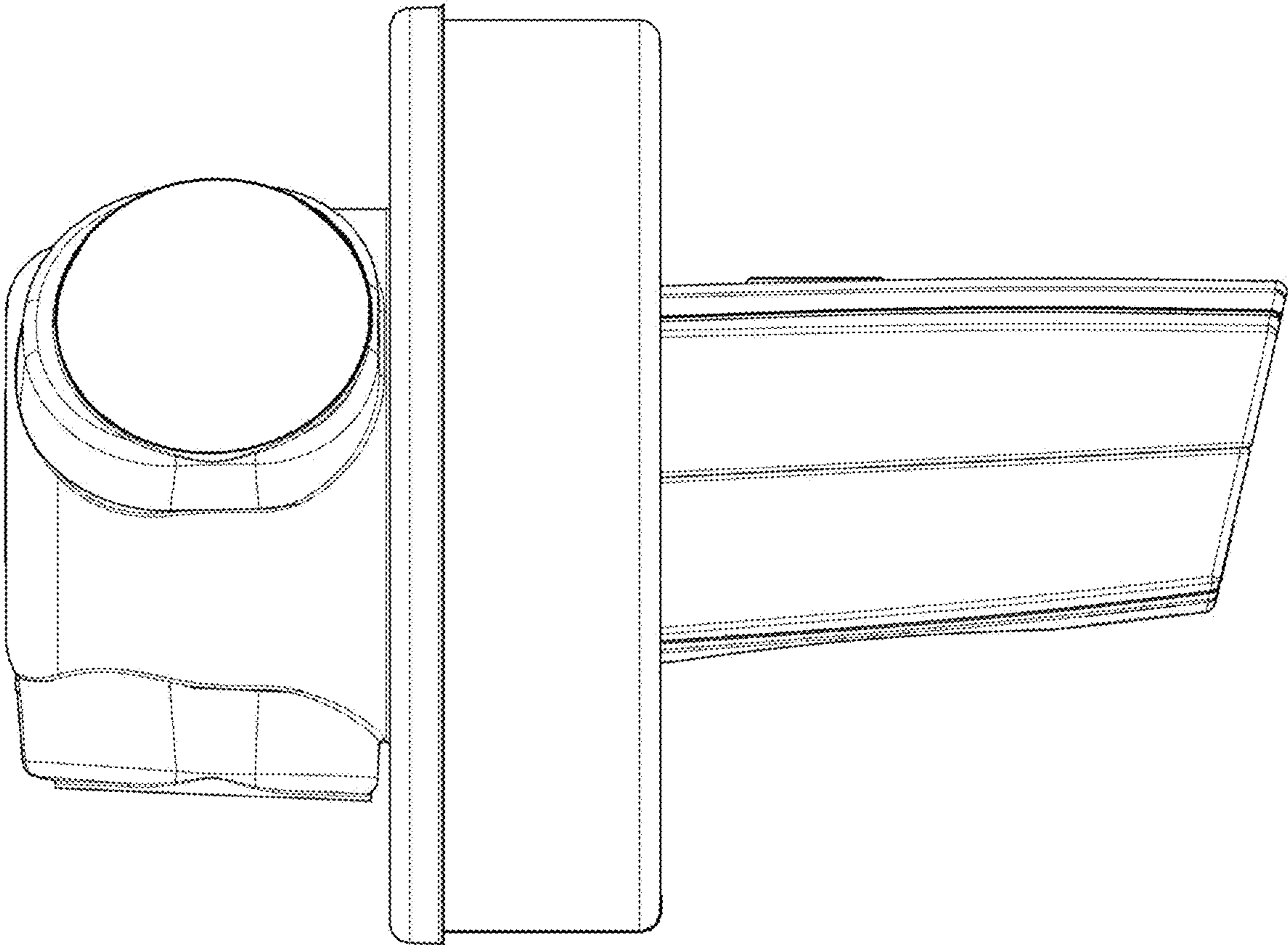
1 Claim, 6 Drawing Sheets



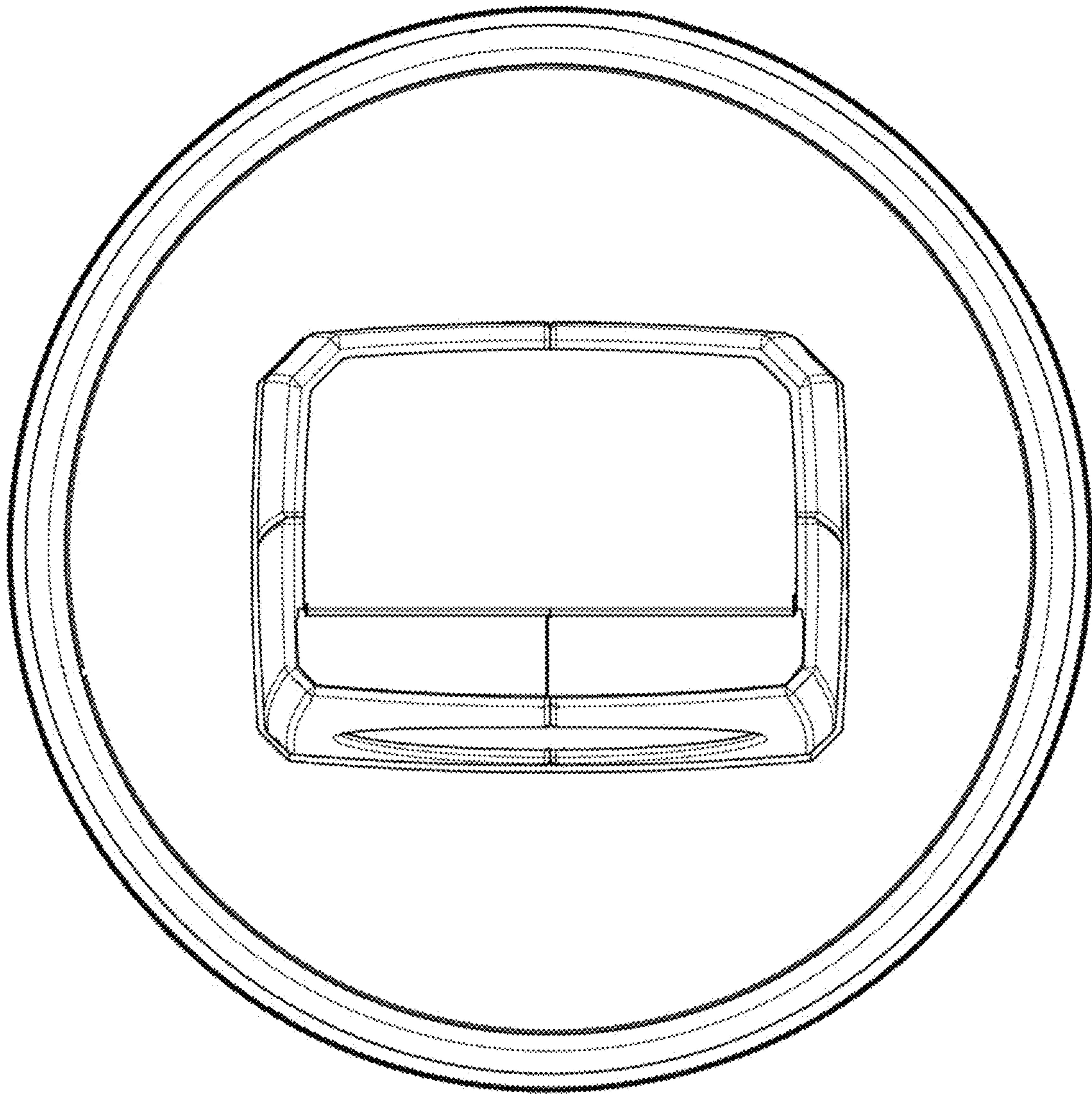
2.1



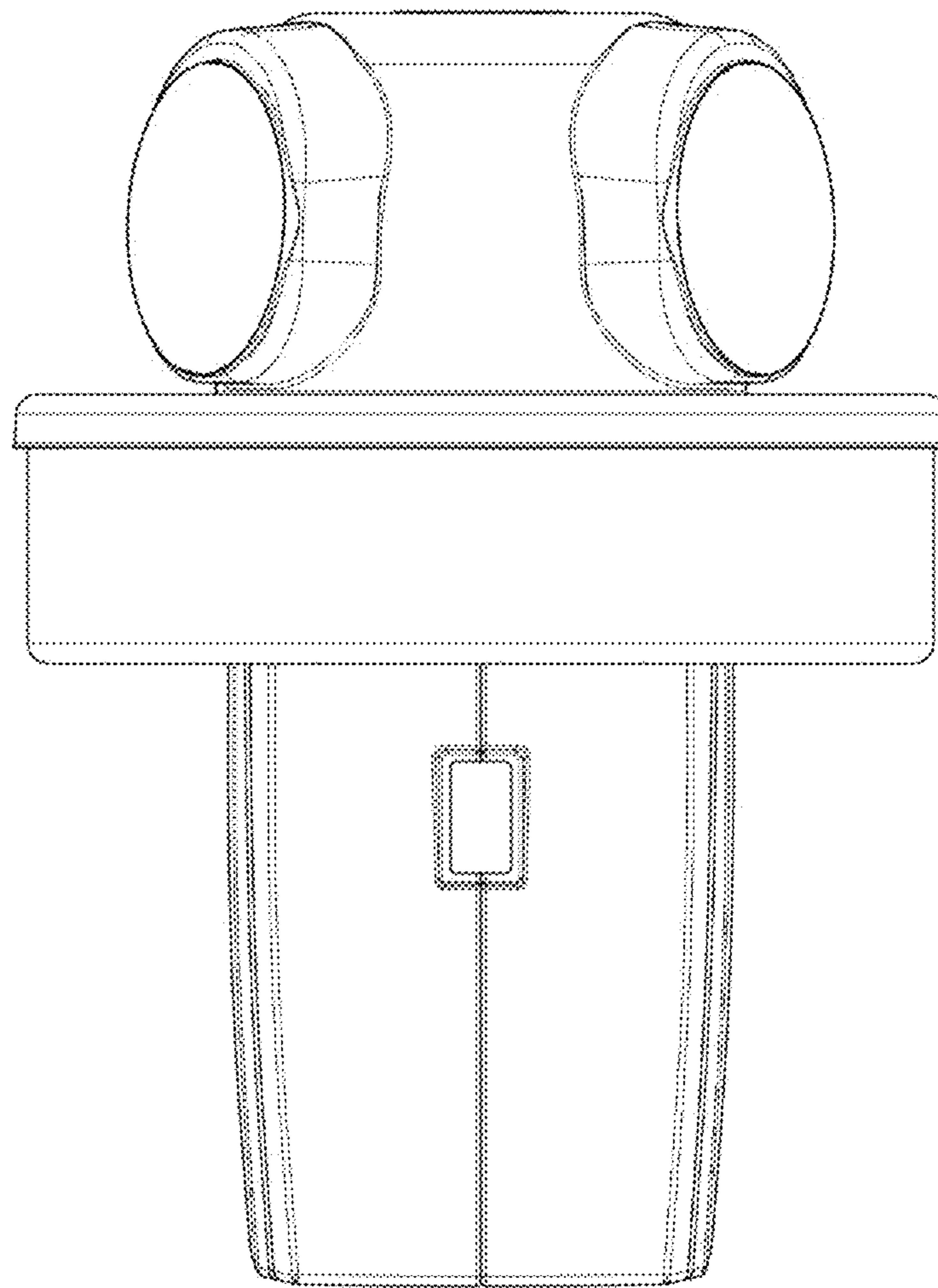
2.2



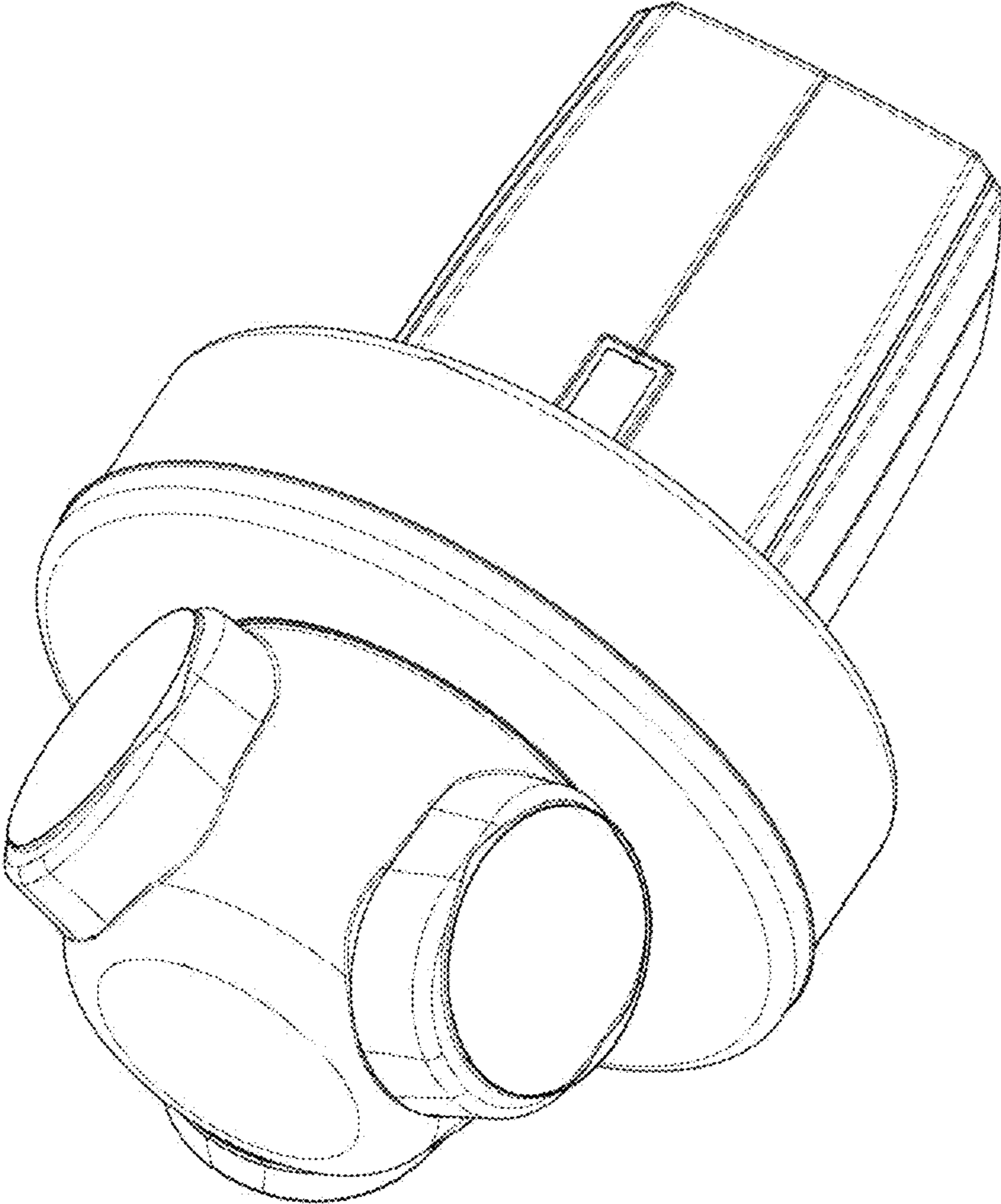
2.3



2.4



2.5



2.6

