



US00D935404S

(12) **United States Design Patent** (10) **Patent No.:** **US D935,404 S**
Wu (45) **Date of Patent:** **** Nov. 9, 2021**

(54) **TATTOO POWER SUPPLY**

(71) Applicant: **Jian Wu**, Zhejiang (CN)

(72) Inventor: **Jian Wu**, Zhejiang (CN)

(73) Assignee: **Hangzhou Wormhole Import and Export Trading Co., Ltd.**, Zhejiang (CN)

(**) Term: **15 Years**

(21) Appl. No.: **29/699,217**

(22) Filed: **Jul. 24, 2019**

(51) **LOC (13) Cl.** **13-02**

(52) **U.S. Cl.**
USPC **D13/110; D13/162**

(58) **Field of Classification Search**
USPC D13/103, 106, 107, 108, 109, 110, 112, D13/116, 118, 119, 123, 124, 158, 160, D13/162, 164, 184; D14/432, 434, 438; D24/133, 144, 146
CPC H02M 7/00; F02B 63/048; H02P 27/04
See application file for complete search history.

(56) **References Cited**

U.S. PATENT DOCUMENTS

D360,191 S *	7/1995	Carl	D13/139.8
D648,270 S *	11/2011	Jiang	D13/103
D682,204 S *	5/2013	Hetzroni	D13/110
D763,262 S *	8/2016	Hallar	D14/434
D772,171 S *	11/2016	Ohmori	D13/158
D826,163 S *	8/2018	Xu	D13/139.8
D846,497 S *	4/2019	Clark	D13/108
D866,463 S *	11/2019	Hui	D13/110
D879,034 S *	3/2020	Wu	D13/108
D898,682 S *	10/2020	Hsieh	D13/162

2007/0174532 A1 *	7/2007	Chen	G06F 1/266 710/313
2012/0025766 A1 *	2/2012	Reade	H05K 5/023 320/110
2014/0335919 A1 *	11/2014	Stewart	H02J 7/0042 455/573

FOREIGN PATENT DOCUMENTS

CN 201930197128.5 * 11/2019

OTHER PUBLICATIONS

“Cyclone Tilt Digital Tattoo Power Supply Unit”. Found online Oct. 13, 2020 at youtube.com. Reference dated Jan. 7, 2017. Retrieved from https://www.youtube.com/watch?v=V_i4nmG-roY. (Year: 2017).*

(Continued)

Primary Examiner — Kendra Leslie Hamilton
Assistant Examiner — Amanda Christensen

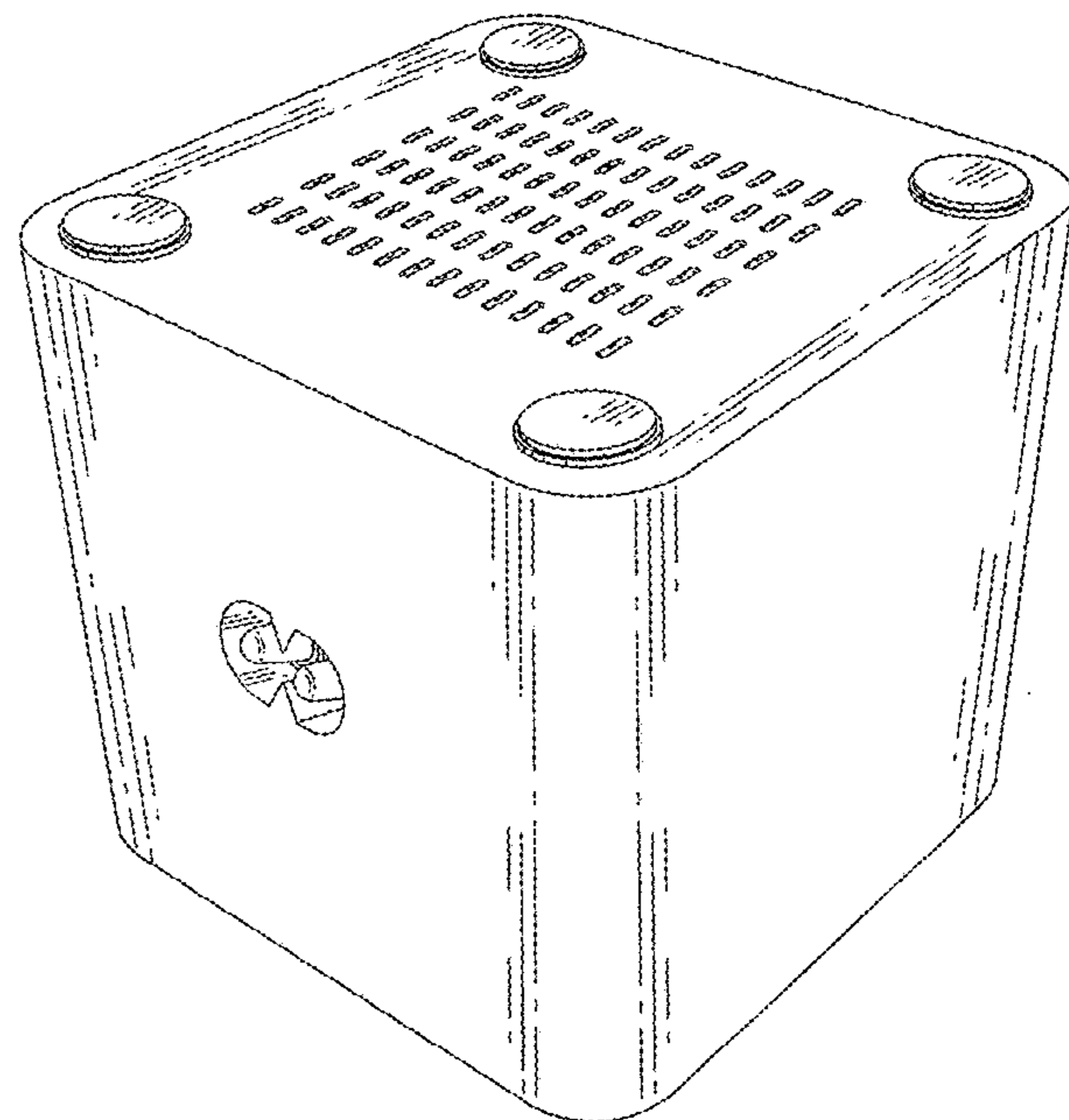
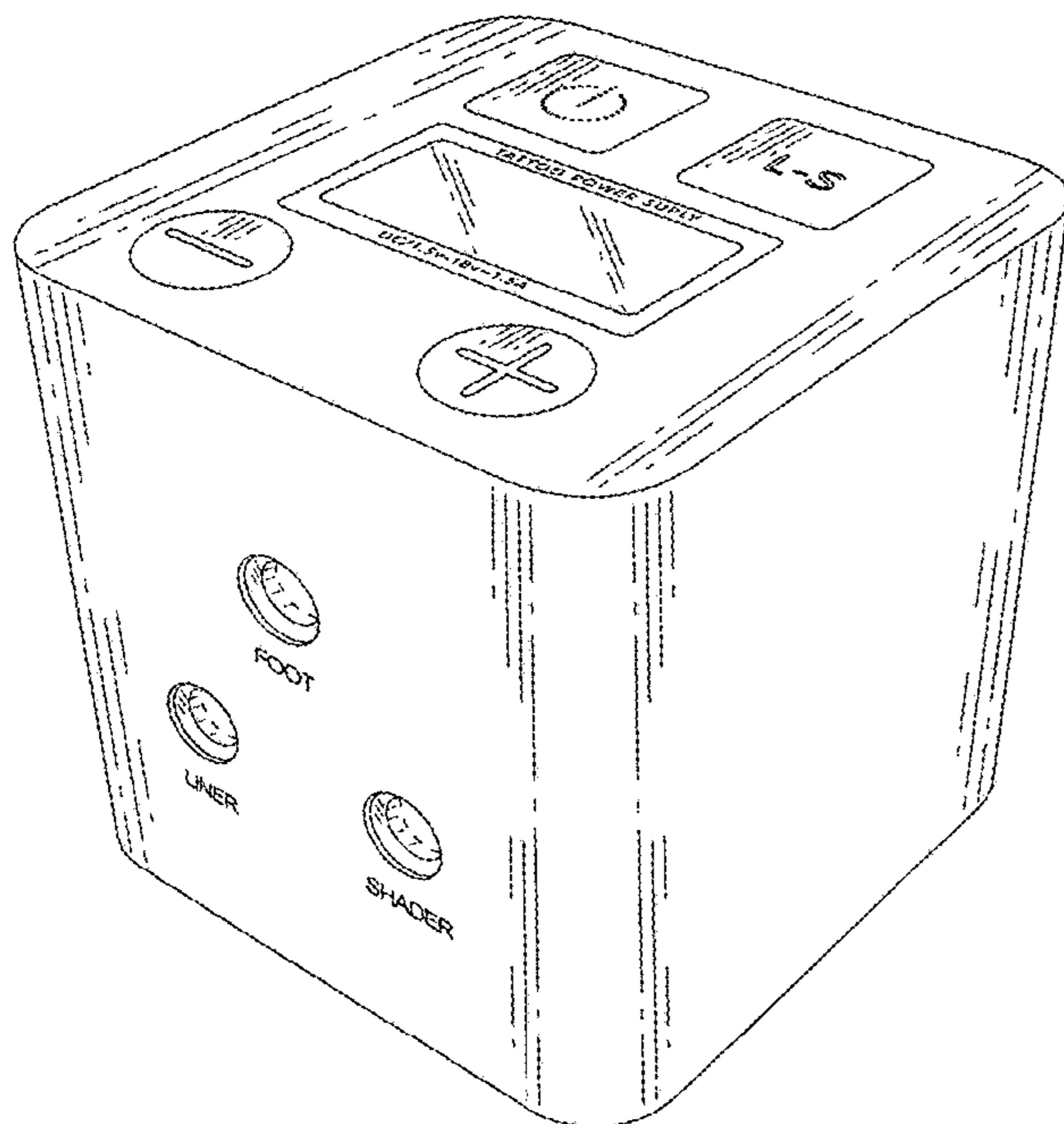
(57) **CLAIM**

The ornamental design for a tattoo power supply, as shown and described.

DESCRIPTION

FIG. 1 is a top and front perspective view of a tattoo power supply showing my new design;
FIG. 2 is a bottom and rear perspective view thereof;
FIG. 3 is a front elevation view thereof;
FIG. 4 is a rear elevation view thereof;
FIG. 5 is a left side elevation view thereof;
FIG. 6 is a right side elevation view thereof;
FIG. 7 is a top plan view thereof; and,
FIG. 8 is a bottom plan view thereof.
The equal-length broken lines in the drawings depict portions of the tattoo power supply that form no part of the claimed design.

1 Claim, 8 Drawing Sheets



(56)

References Cited

OTHER PUBLICATIONS

“Pirate Face Tattoo Digital Tattoo Power Supply”. Found online Oct. 13, 2020 at amazon.com. Reference dated Sep. 25, 2016. Retrieved from <https://www.amazon.com/Pirate-Face-Tattoo-Digital-Supply/dp/B0064UUUT6>. (Year: 2016).*

“GemRed Digital Angle Gauge Level”. Found online Oct. 13, 2020 at newegg.com. Reference dated Jul. 31, 2018. Retrieved from <https://www.newegg.com/p/0AF-0124-00007>. (Year: 2018).*

* cited by examiner

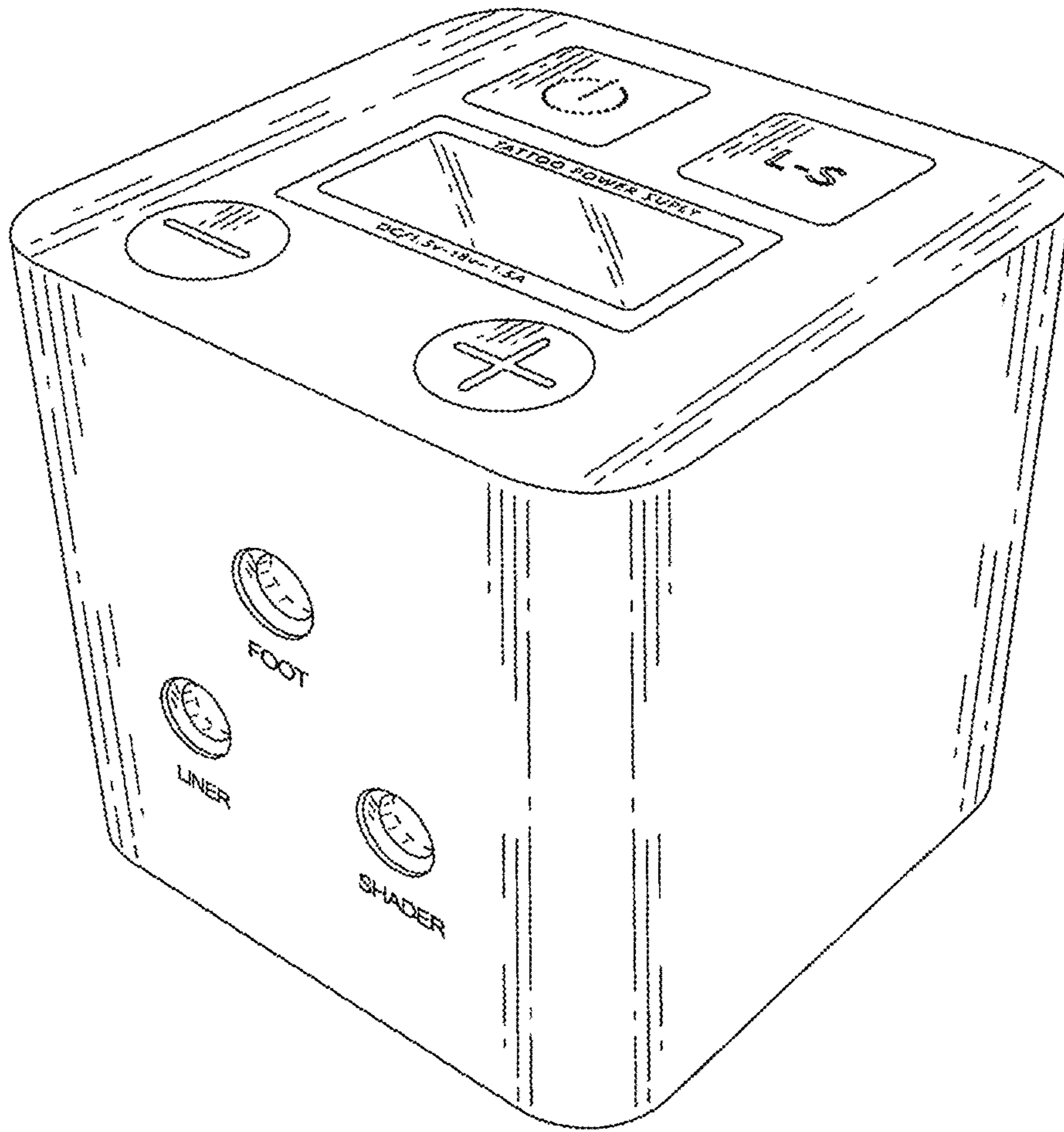


FIG. 1

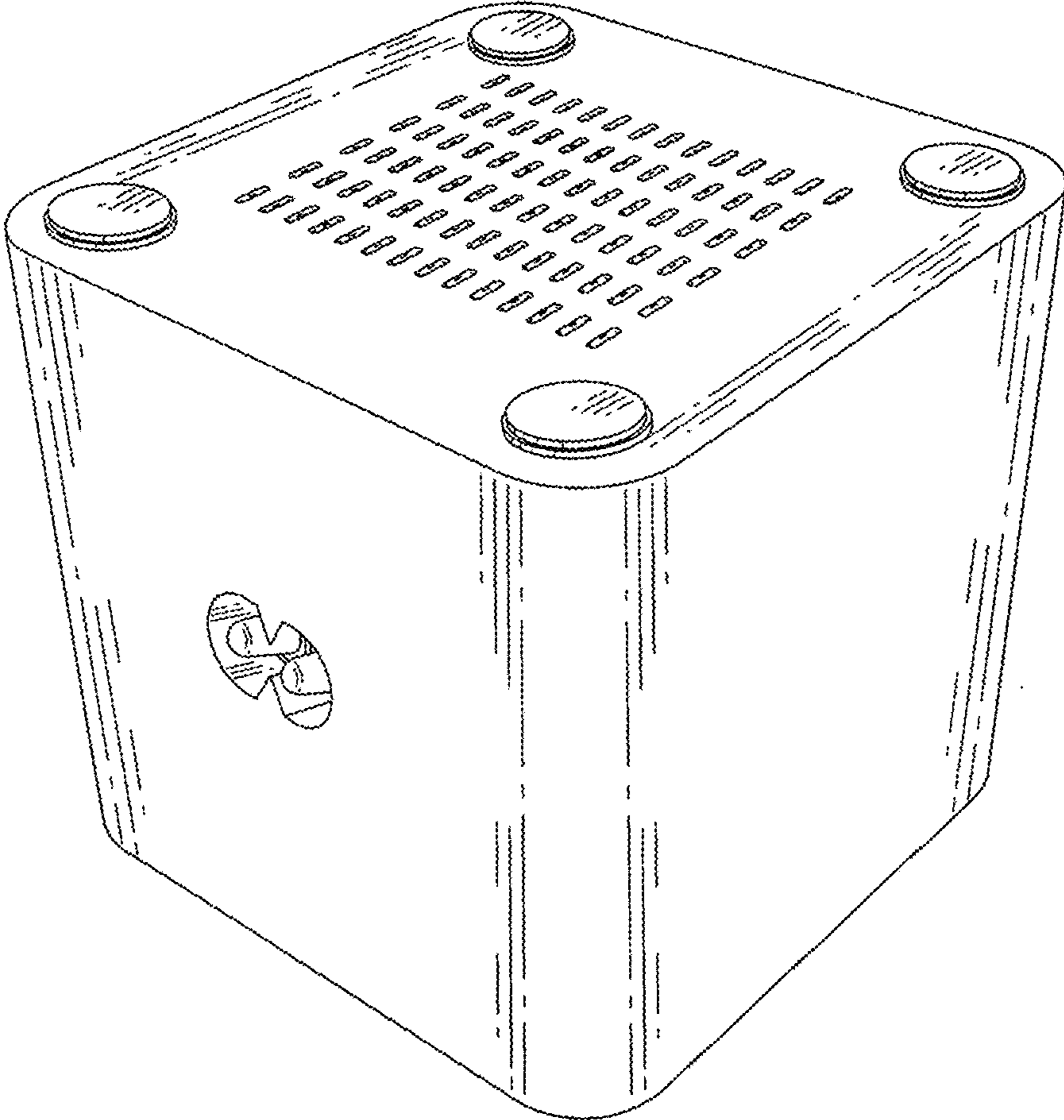


FIG.2

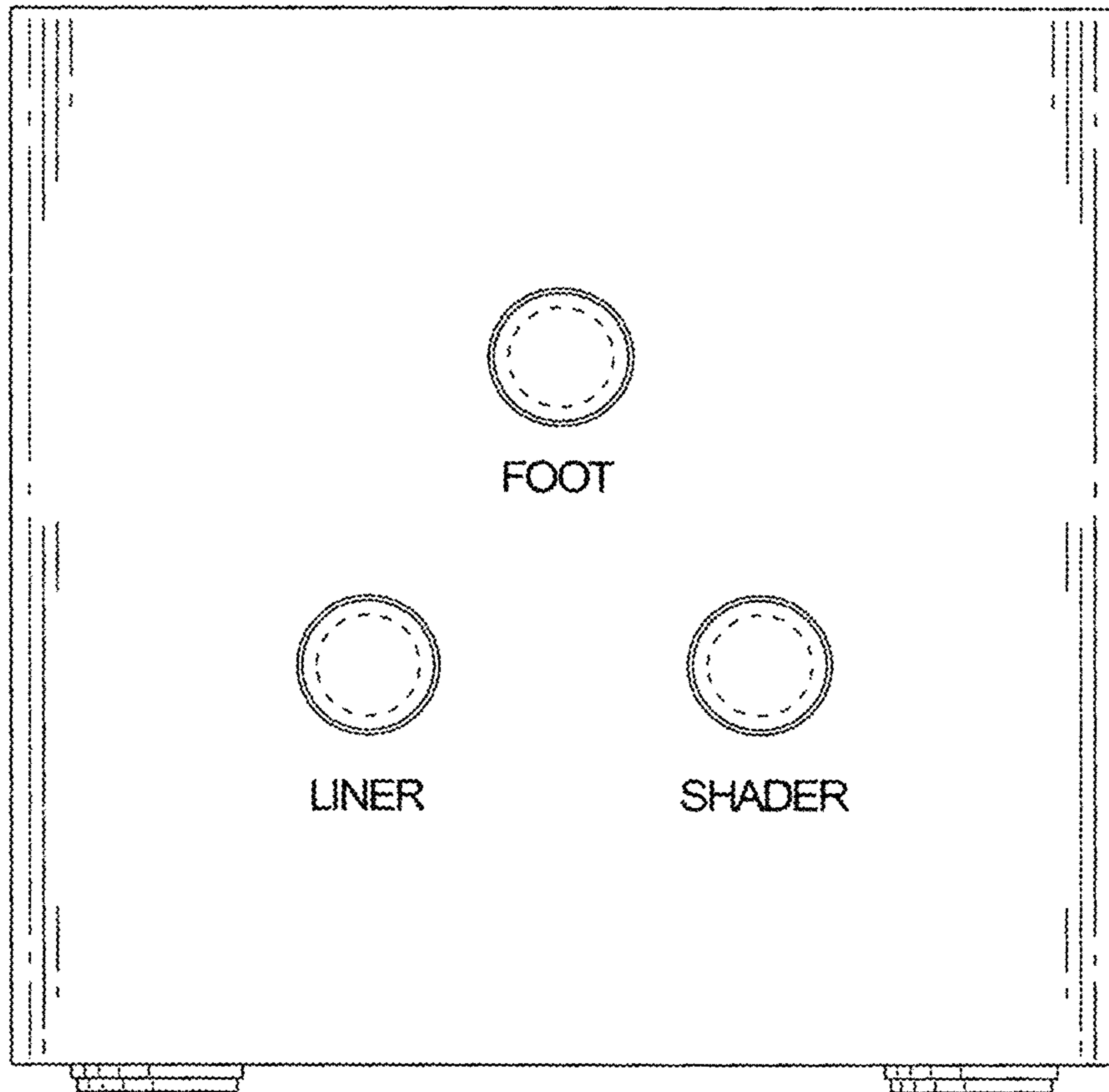


FIG.3

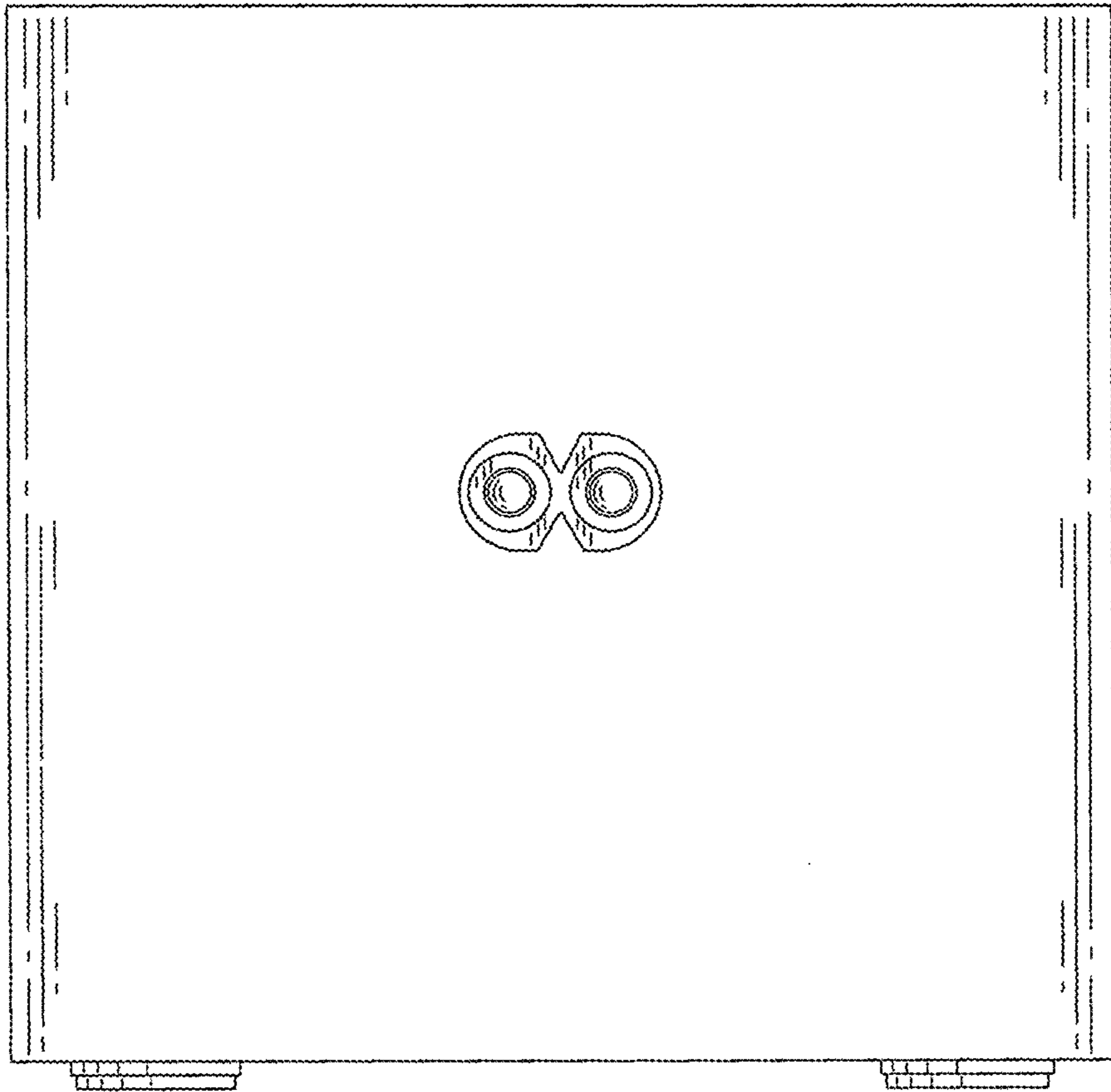


FIG.4

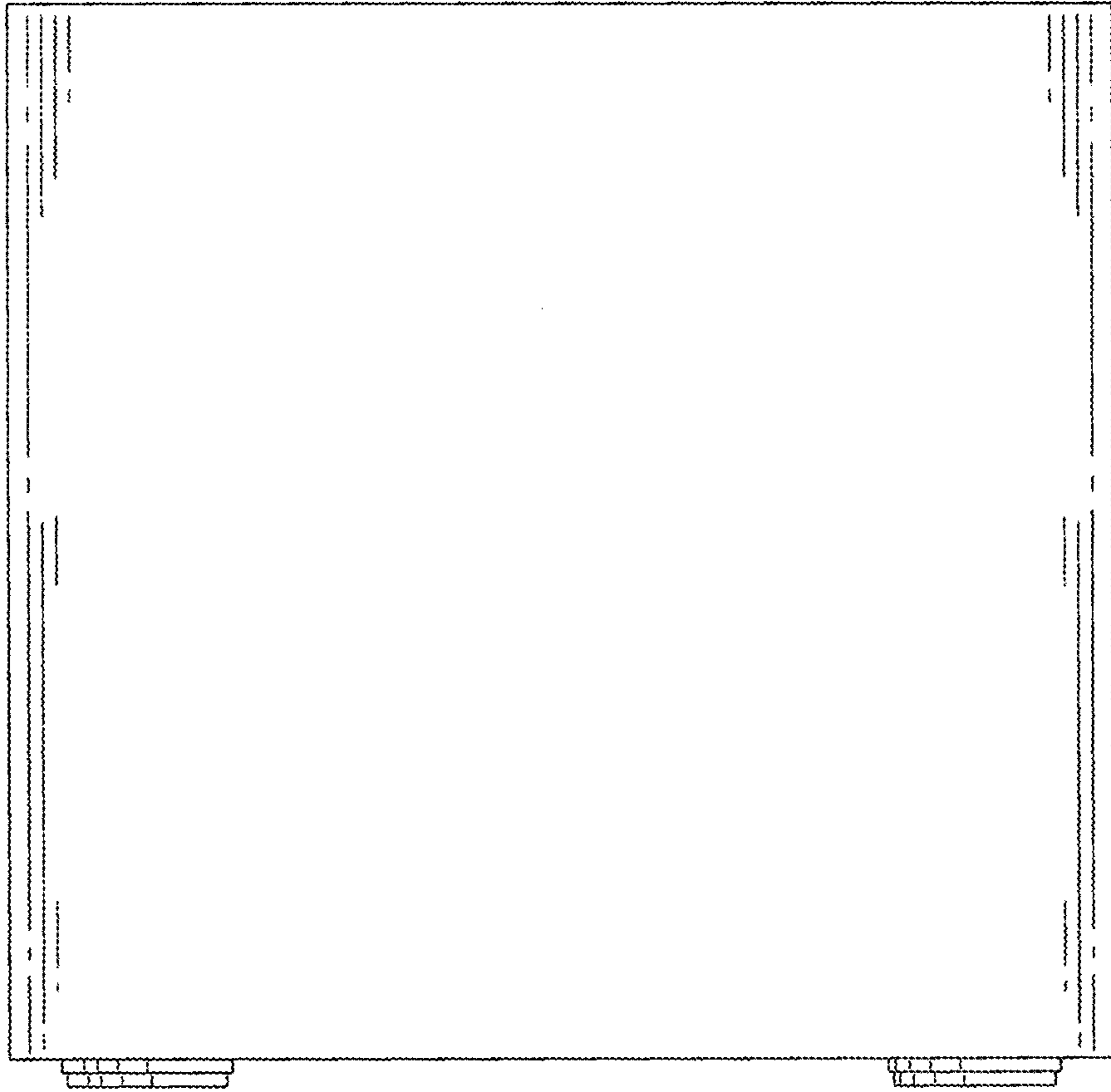


FIG.5

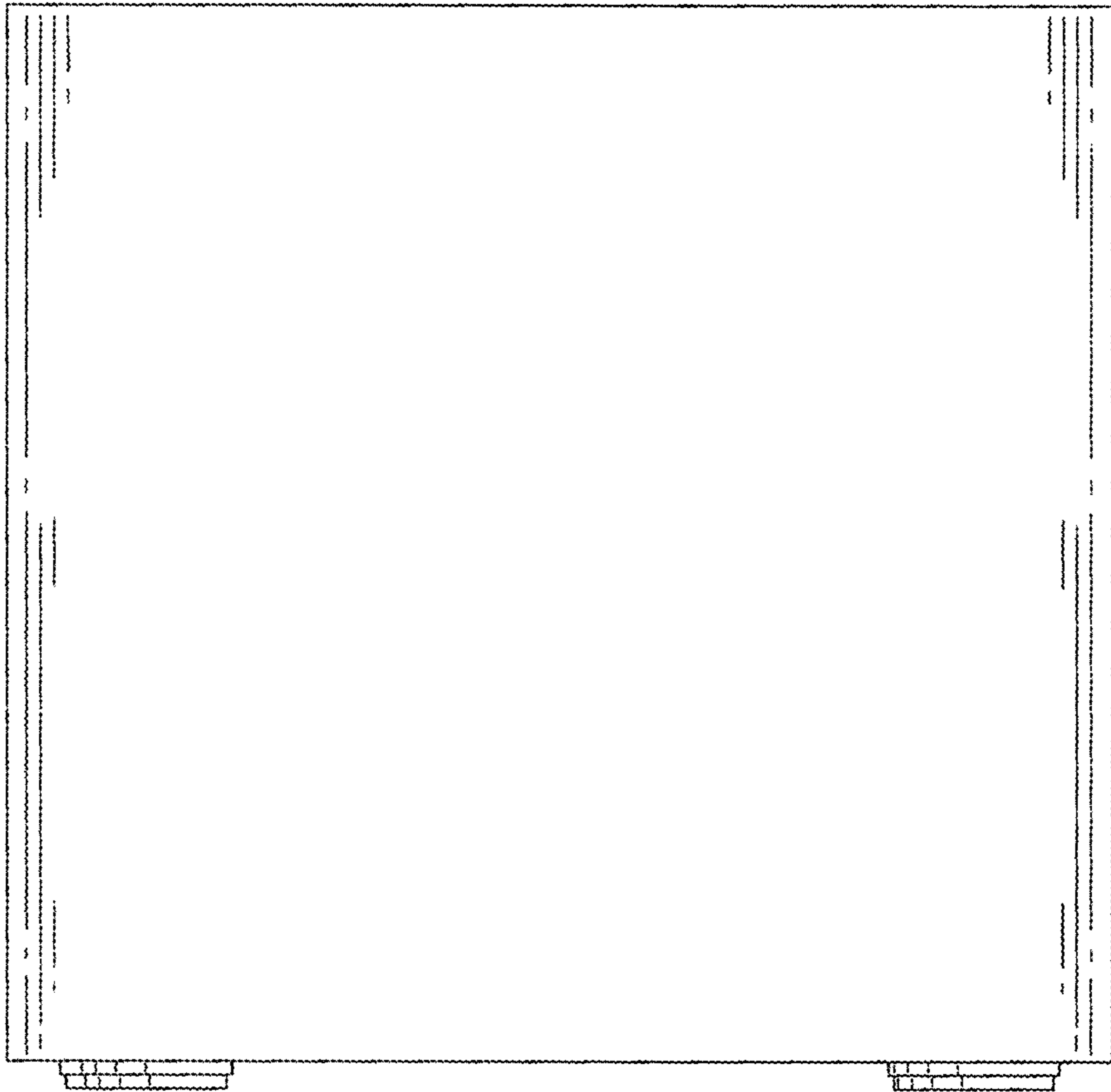


FIG.6

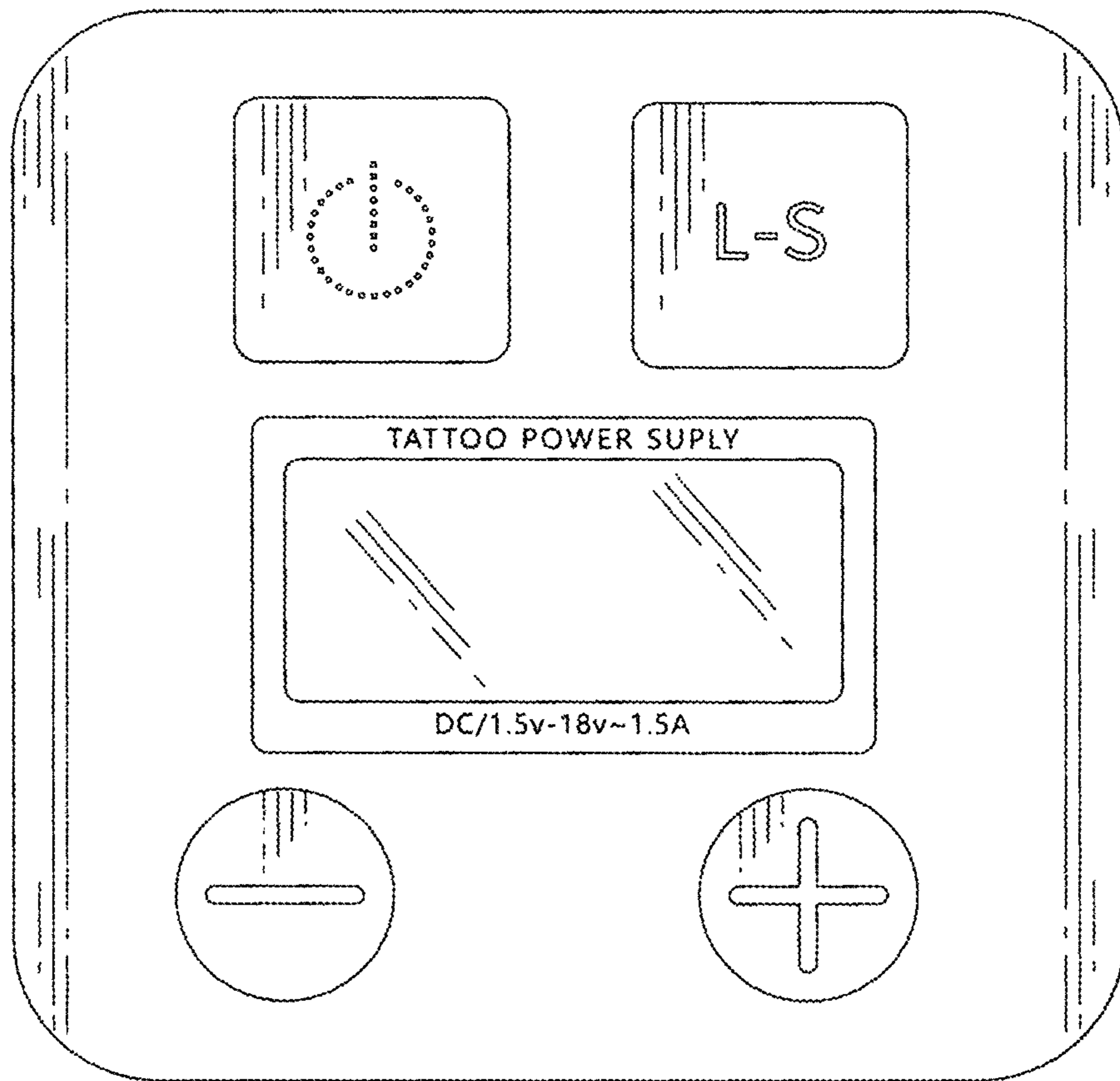


FIG. 7

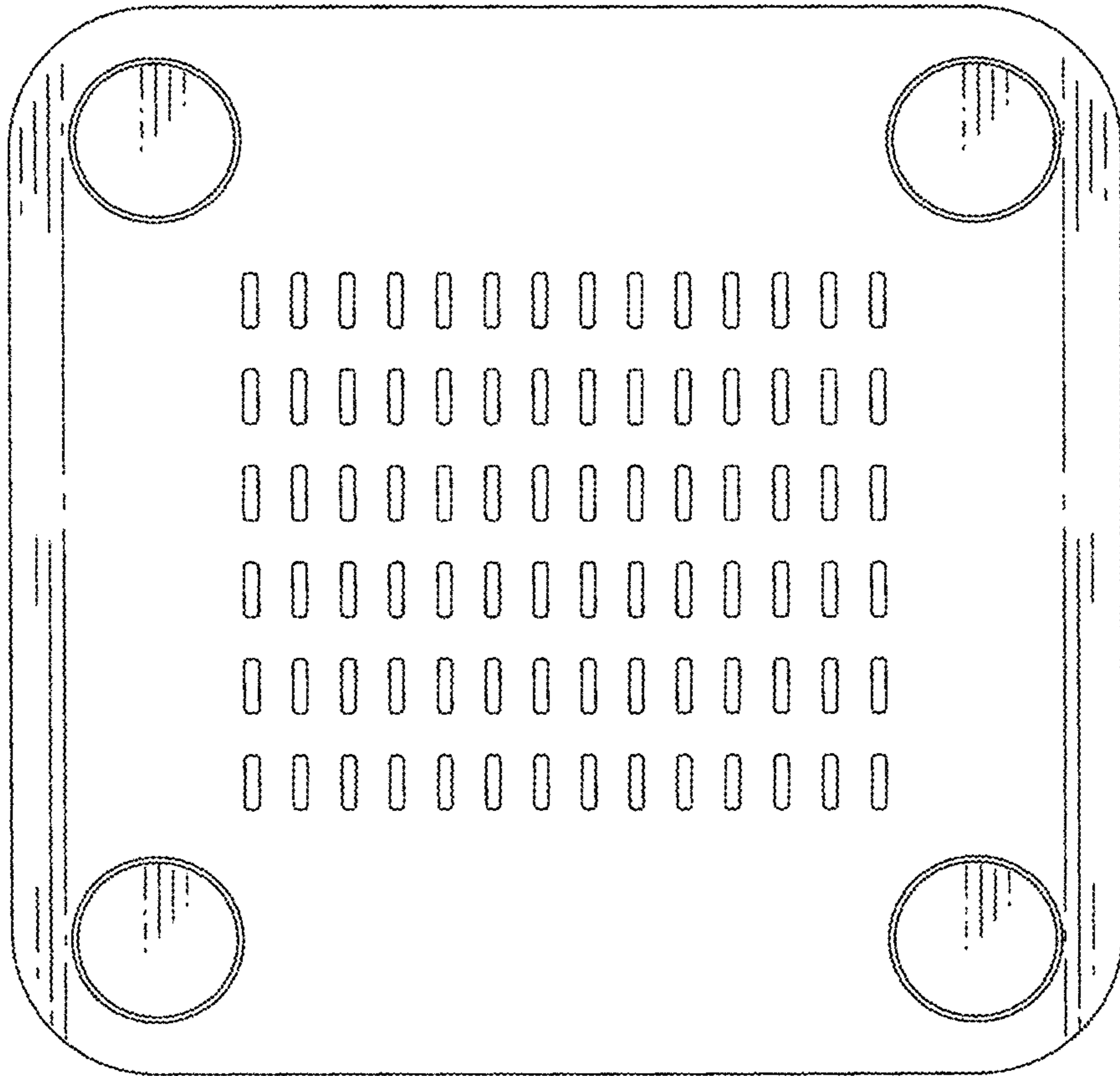


FIG. 8