



US00D935403S

(12) **United States Design Patent** (10) **Patent No.:** **US D935,403 S**
Wu (45) **Date of Patent:** **** Nov. 9, 2021**

(54) **TATTOO POWER SUPPLY**

FOREIGN PATENT DOCUMENTS

(71) Applicant: **Jian Wu**, Zhejiang (CN)

CN 201930245666.7 * 11/2019

(72) Inventor: **Jian Wu**, Zhejiang (CN)

OTHER PUBLICATIONS

(73) Assignee: **Hangzhou Wormhole Import and Export Trading Co., Ltd.**, Zhejiang (CN)

“Cyclone Tilt Digital Tattoo Power Supply Unit”. Found online Oct. 13, 2020 at youtube.com. Reference dated Jan. 7, 2017. Retrieved from https://www.youtube.com/watch?v=V_i4nmG-roY. (Year: 2017).*
“Hexagonal Power Outlet Hub”. Found online Oct. 13, 2020 at alphaomegapower.com. Reference dated Mar. 13, 2016. Retrieved from <https://web.archive.org/web/20160313052302/http://alphaomegapower.com/>. (Year: 2016).*
“Musotoku Tattoo Power Supply”. Found online Oct. 20, 2020 at youtube.com. Reference dated Apr. 19, 2018. Retrieved from <https://www.youtube.com/watch?v=nDYmBWrMm-g>. (Year: 2018).*

(**) Term: **15 Years**

* cited by examiner

(21) Appl. No.: **29/699,216**

(22) Filed: **Jul. 24, 2019**

(51) **LOC (13) Cl.** **13-02**

(52) **U.S. Cl.**
USPC **D13/110; D13/162**

(58) **Field of Classification Search**
USPC D13/103, 106, 107, 108, 109, 110, 112, D13/116, 118, 119, 123, 124, 158, 160, D13/162, 164, 184; D14/432, 434, 438; D24/133, 144, 146
CPC H02M 7/00; F02B 63/048; H02P 27/04
See application file for complete search history.

Primary Examiner — Kendra Leslie Hamilton
Assistant Examiner — Amanda Christensen

(57) **CLAIM**

The ornamental design for a tattoo power supply, as shown and described.

(56) **References Cited**

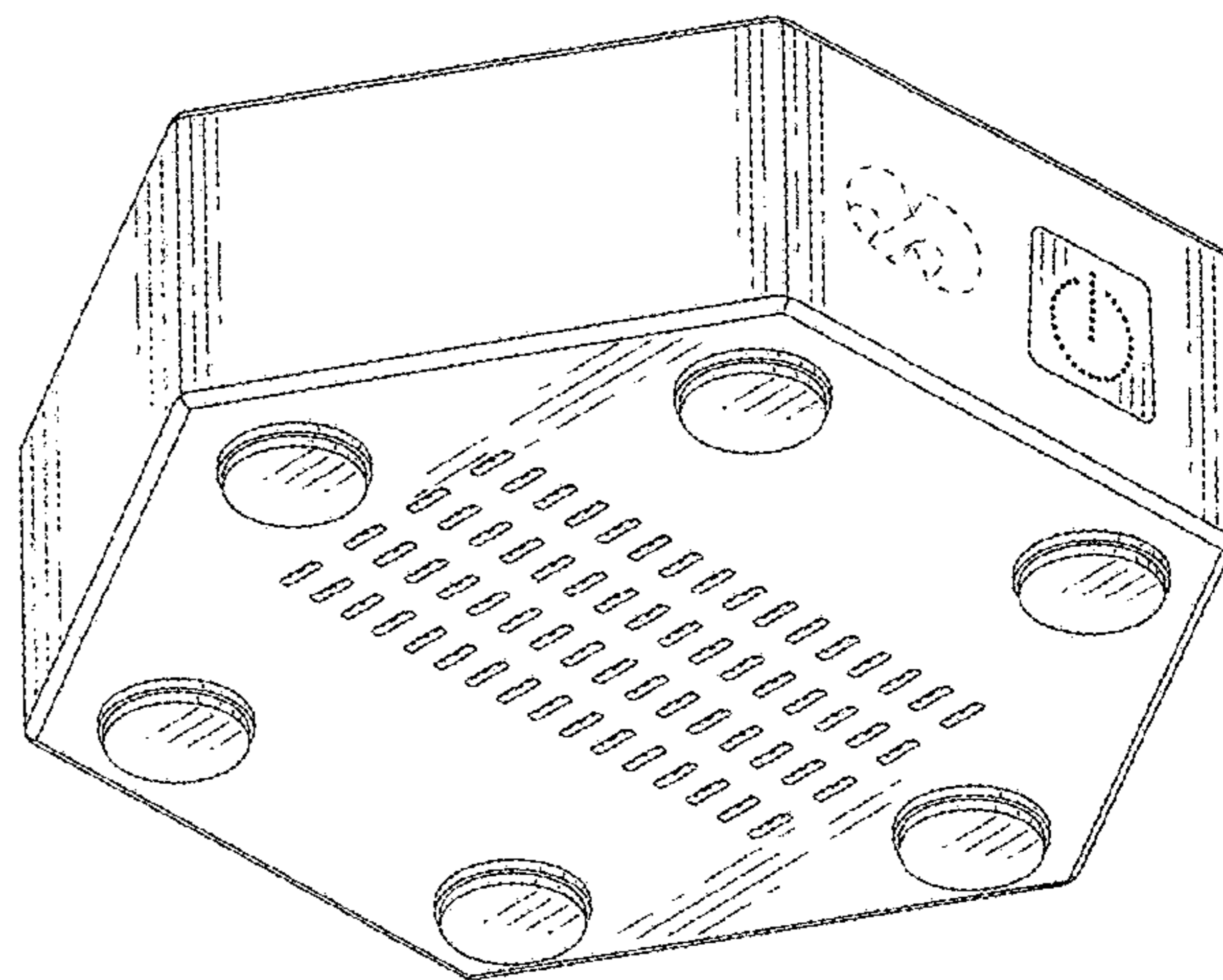
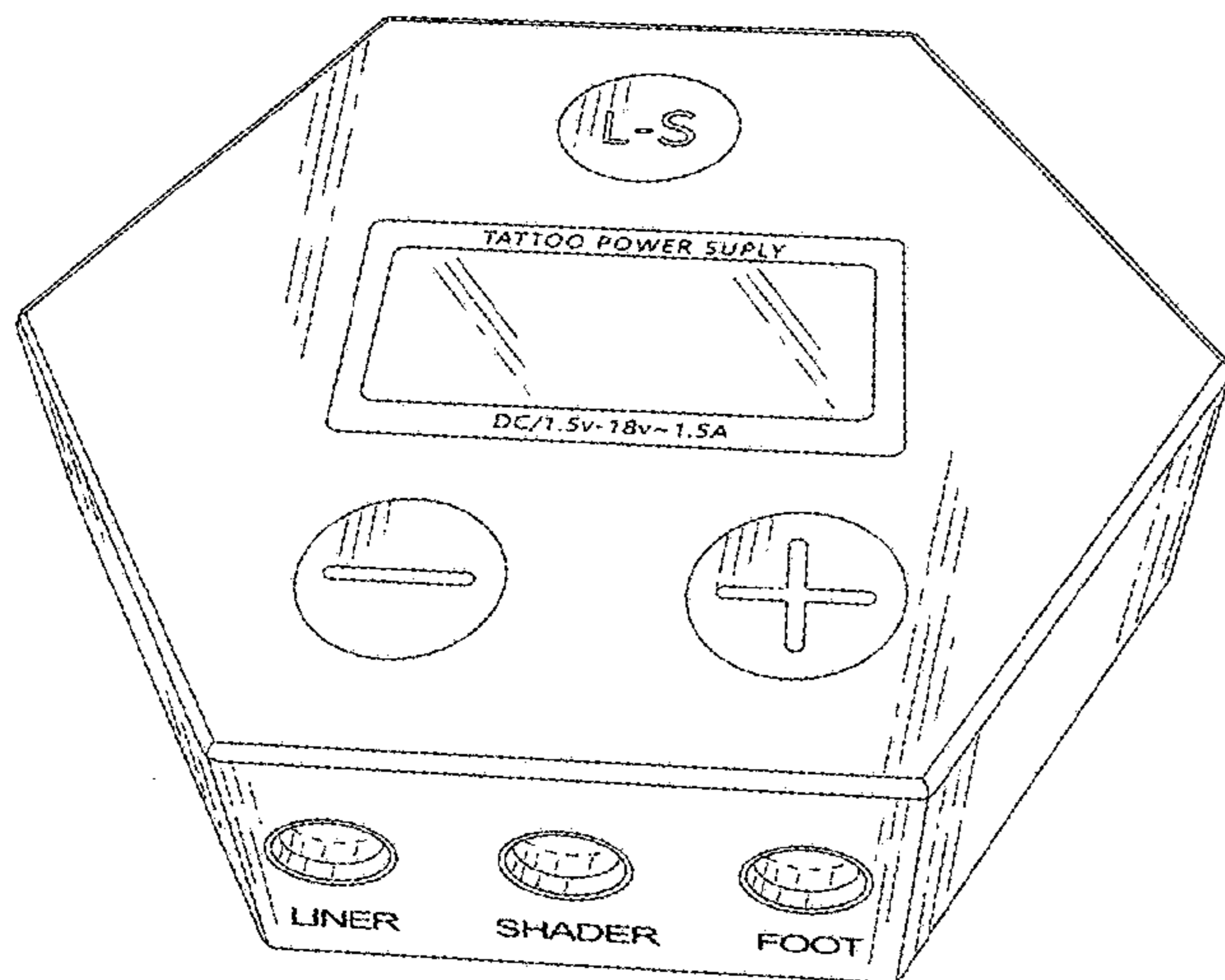
DESCRIPTION

U.S. PATENT DOCUMENTS

2,500,987	A *	3/1950	Harpster	H01R 31/02 439/652
D469,405	S *	1/2003	Nieto	D13/139.6
D677,224	S *	3/2013	Chen	D13/110
D714,734	S *	10/2014	Bertolotti	D13/158
D728,475	S *	5/2015	Behar	D13/110
D739,355	S *	9/2015	D'Aubeterre	D13/139.8
D801,410	S *	10/2017	Kim	D16/219
D816,615	S *	5/2018	Xia	D13/137.2
D855,026	S *	7/2019	Miller	D13/158
10,367,317	B1 *	7/2019	Rahner	H01R 13/506
D862,260	S *	10/2019	Nelko	D10/81
D870,055	S *	12/2019	Deyaf	D13/162
2014/0116744	A1 *	5/2014	Smeja	H02G 3/32 174/50

FIG. 1 is a top and front perspective view of a tattoo power supply showing my new design;
FIG. 2 is a bottom and rear perspective view thereof;
FIG. 3 is a front elevation view thereof;
FIG. 4 is a rear elevation view thereof;
FIG. 5 is a left side elevation view thereof;
FIG. 6 is a right side elevation view thereof;
FIG. 7 is a top plan view thereof; and,
FIG. 8 is a bottom plan view thereof.
The equal-length broken lines in the drawings depict portions of the tattoo power supply that form no part of the claimed design.

1 Claim, 8 Drawing Sheets



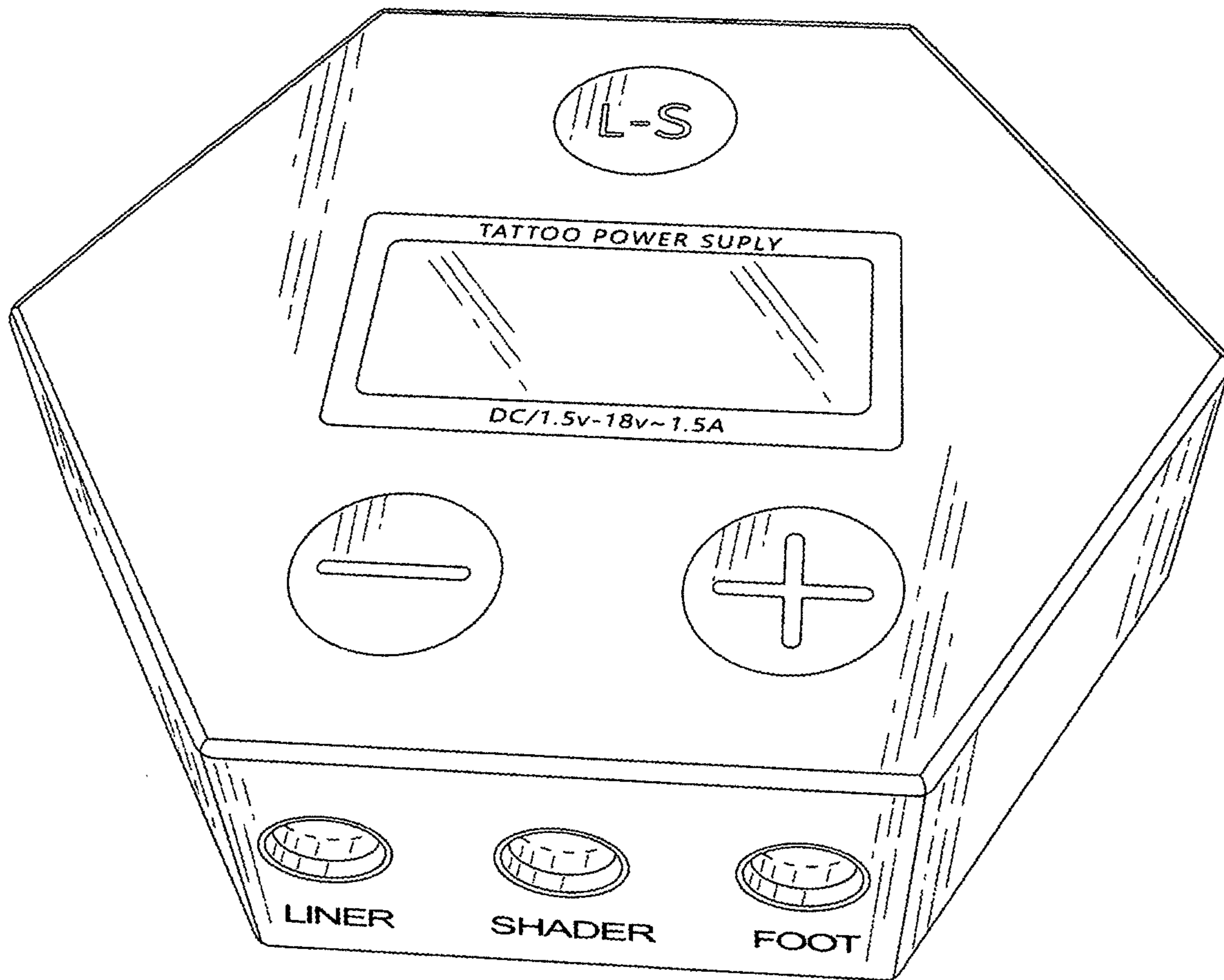


FIG.1

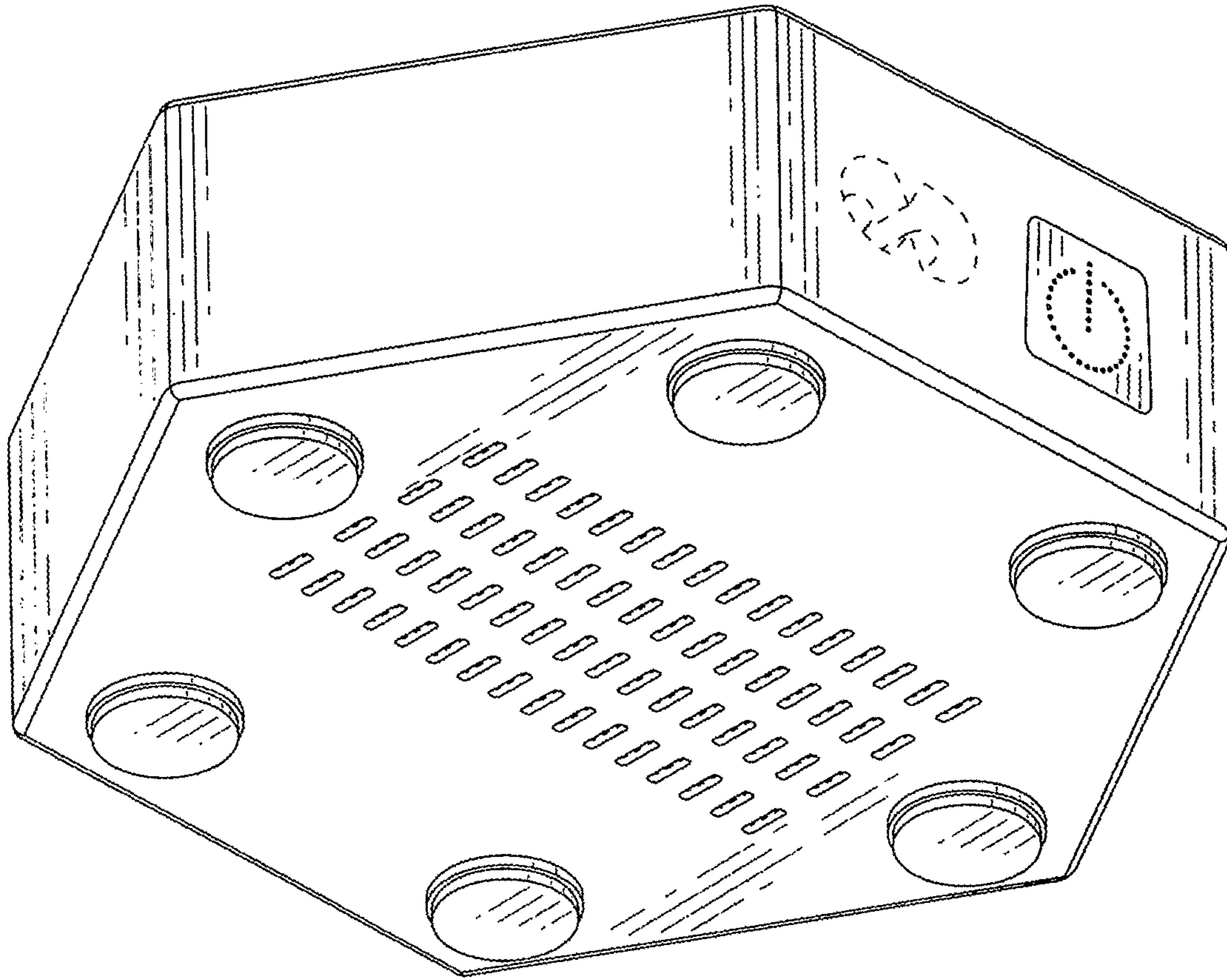


FIG.2

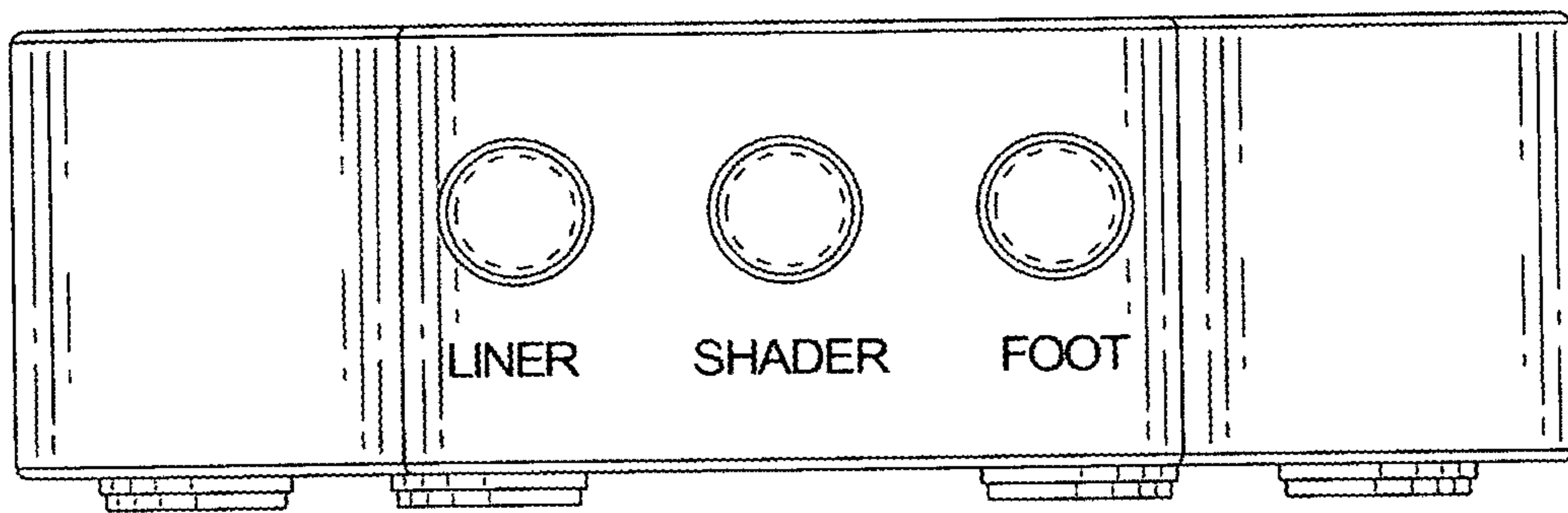


FIG.3

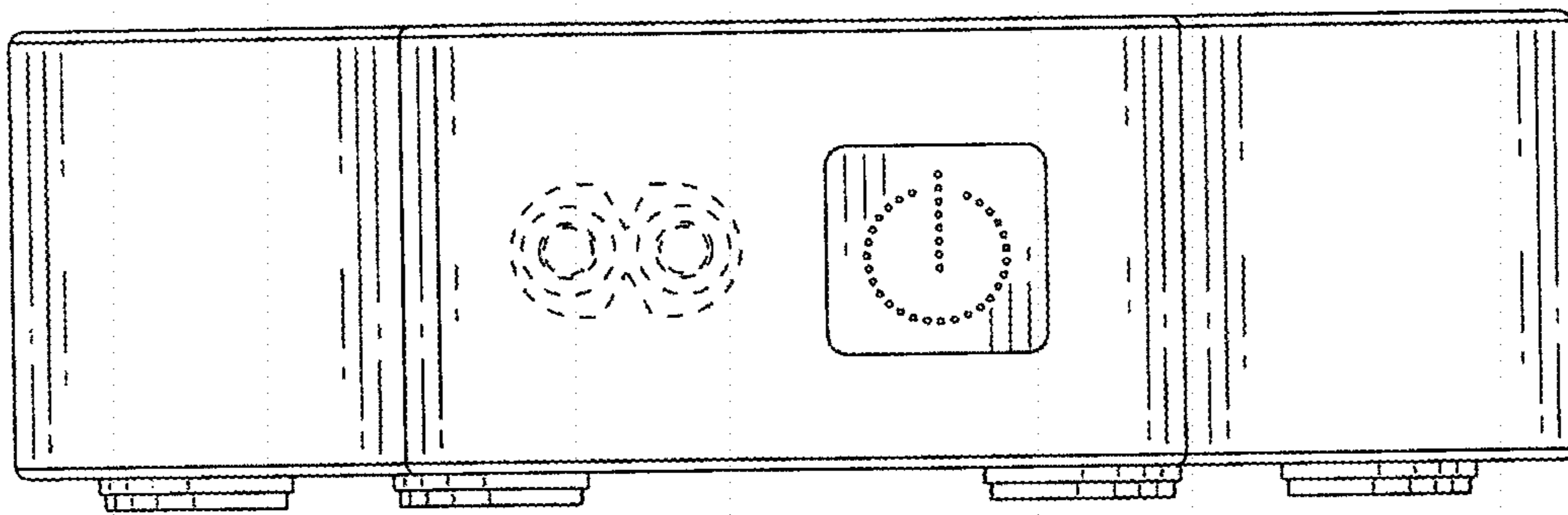


FIG. 4

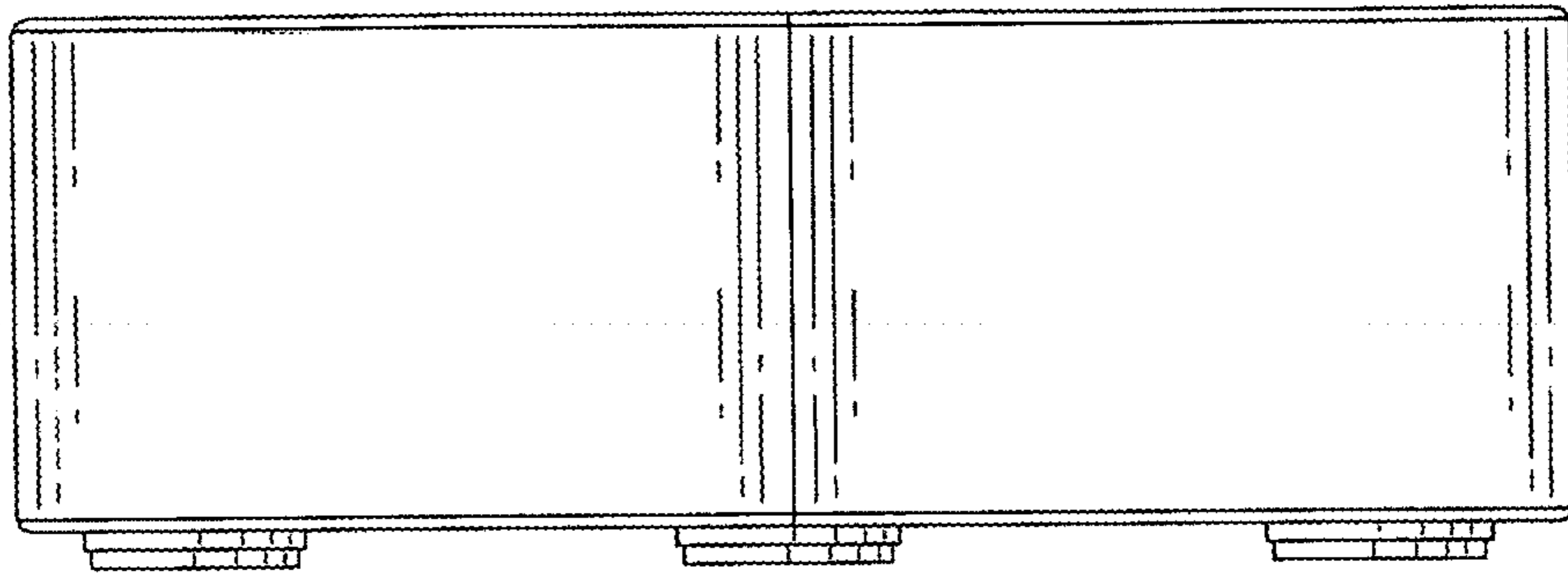


FIG. 5

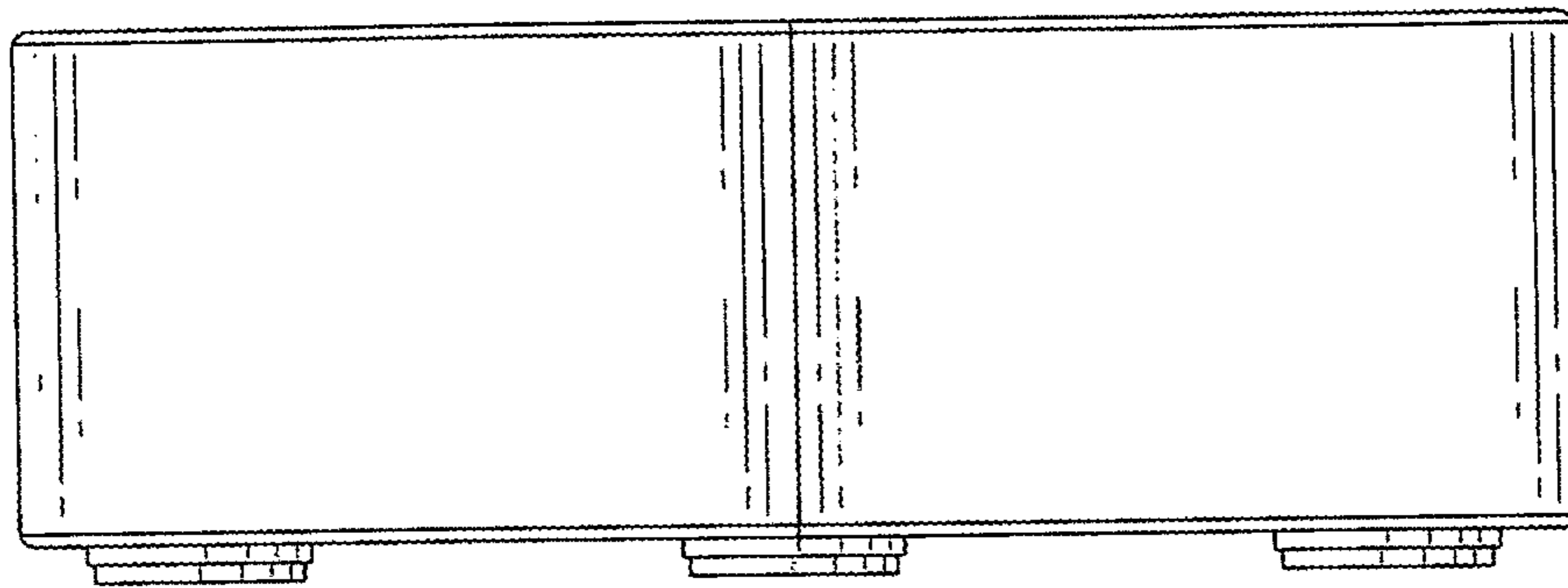


FIG.6

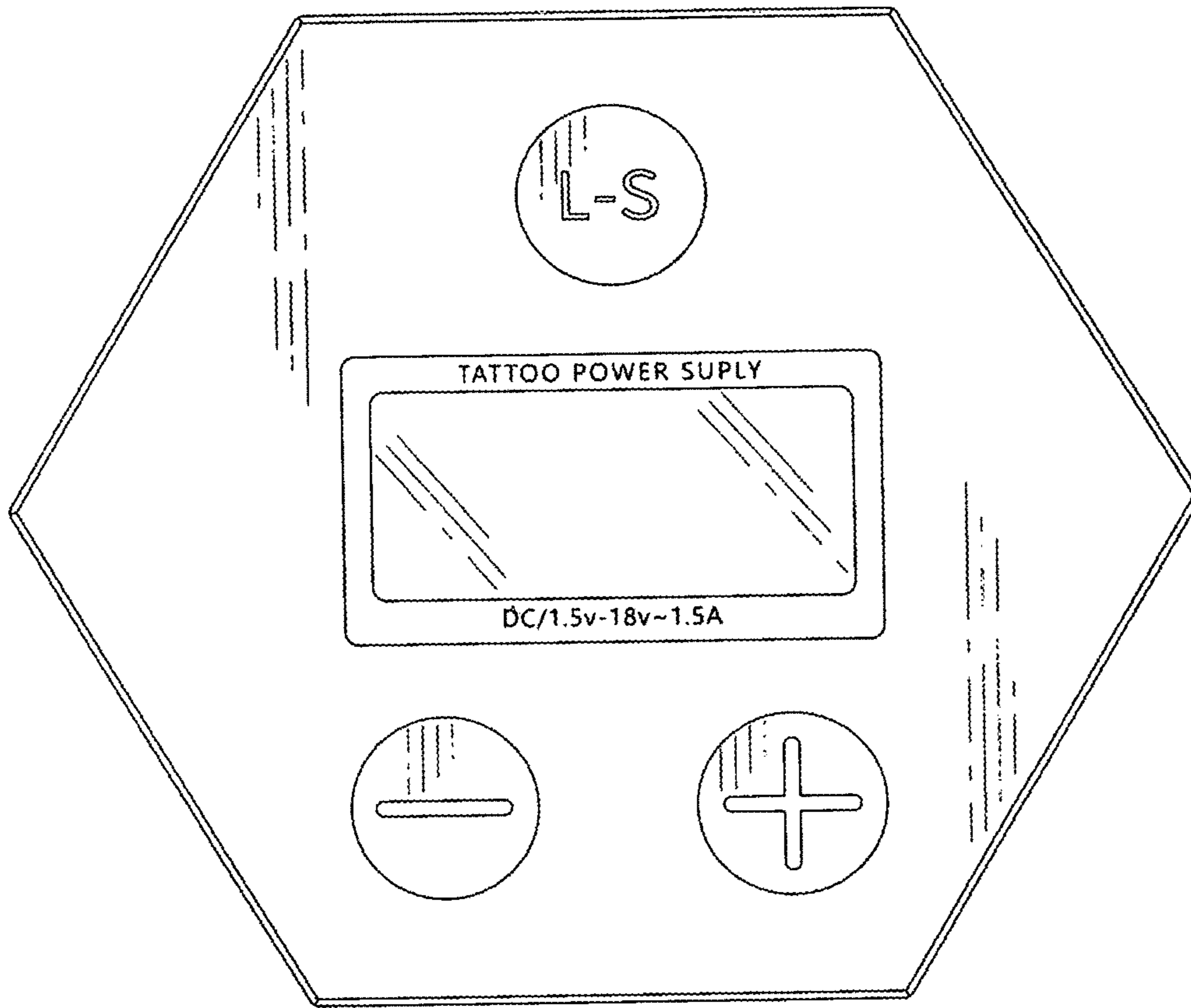


FIG. 7

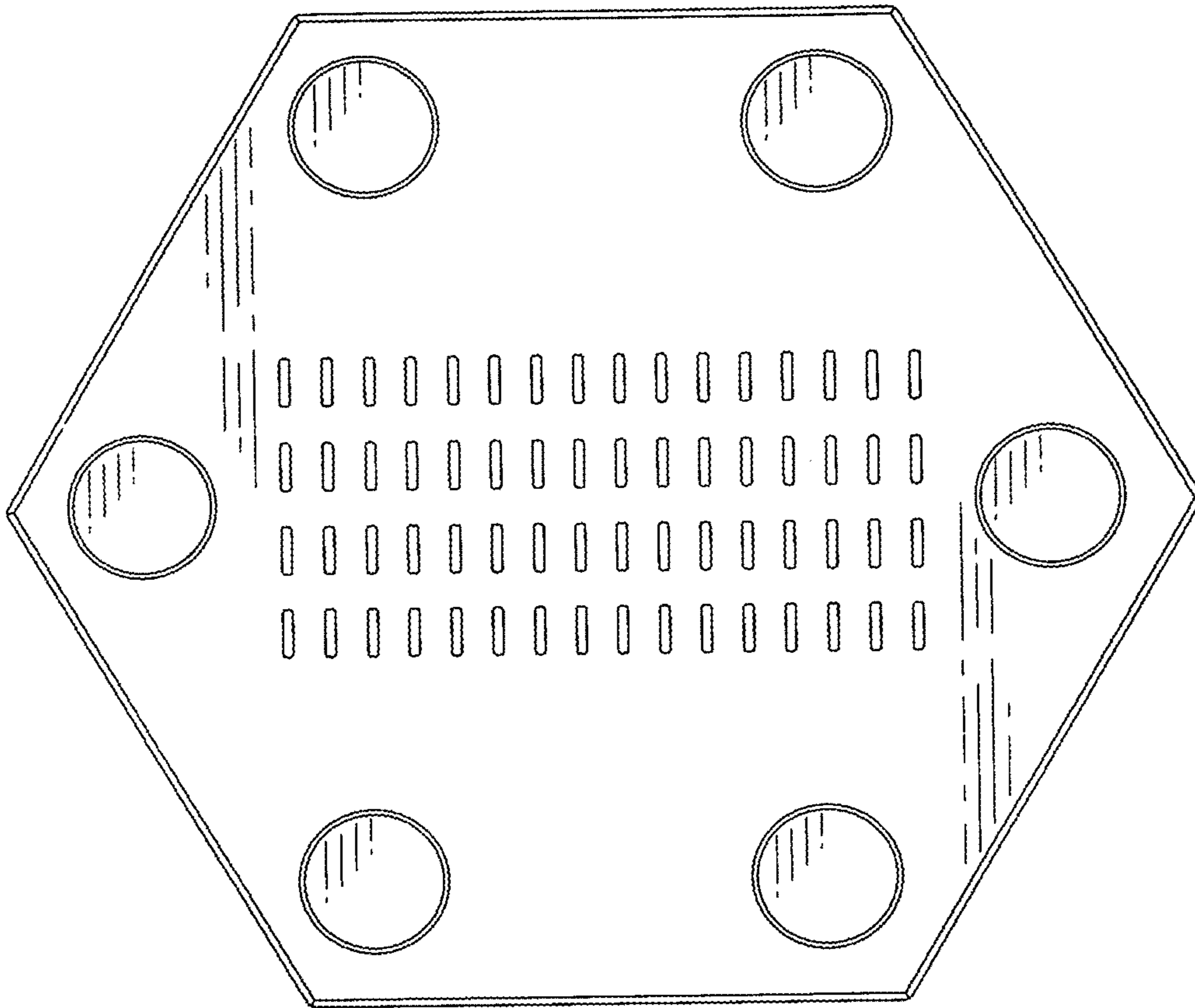


FIG. 8