



US00D935402S

(12) **United States Design Patent**
Qiu

(10) **Patent No.:** **US D935,402 S**

(45) **Date of Patent:** **** Nov. 9, 2021**

- (54) **WIRELESS CHARGER**
- (71) Applicant: **SHENZHEN KAIXINGHUI TECHNOLOGY CO., LTD.**, Shenzhen (CN)
- (72) Inventor: **Jie Bin Qiu**, Shenzhen (CN)
- (73) Assignee: **SHENZHEN KAIXINGHUI TECHNOLOGY CO., LTD.**, Shenzhen (CN)
- (**) Term: **15 Years**
- (21) Appl. No.: **29/761,920**
- (22) Filed: **Dec. 14, 2020**
- (51) **LOC (13) Cl.** **13-02**
- (52) **U.S. Cl.**
USPC **D13/108**
- (58) **Field of Classification Search**
USPC D13/103, 107–110, 118–119, 184, 199;
D14/251, 253, 432, 434
CPC .. H02J 50/00; H02J 50/10; H02J 50/12; H02J 50/80; H02J 7/025; H02J 7/005; H02J 7/0026; H02J 7/0042; H02J 7/0044; H02J 7/0045; H02J 7/0013; H02J 7/0003
See application file for complete search history.

D806,020 S *	12/2017	Lu	D13/107
D812,556 S	3/2018	Xu	
D850,367 S *	6/2019	Xiong	D13/108
D850,372 S *	6/2019	Kong	D13/108
D855,567 S *	8/2019	Cai	D13/108
D875,678 S *	2/2020	Kim	D13/108
D883,203 S *	5/2020	Zheng	D13/108
D883,921 S	5/2020	Ryu et al.	
D884,616 S	5/2020	Li	
D890,095 S *	7/2020	Liao	D13/110
D891,366 S *	7/2020	Xie	D13/108
D899,359 S *	10/2020	Zhang	D13/108
D900,027 S *	10/2020	Reilly	D13/108
D900,733 S *	11/2020	Roberts	D13/108
D900,735 S *	11/2020	He	D13/108
D908,620 S *	1/2021	Akana	D13/108
D911,276 S *	2/2021	Li	D13/108

* cited by examiner

Primary Examiner — Rosemary K Tarcza

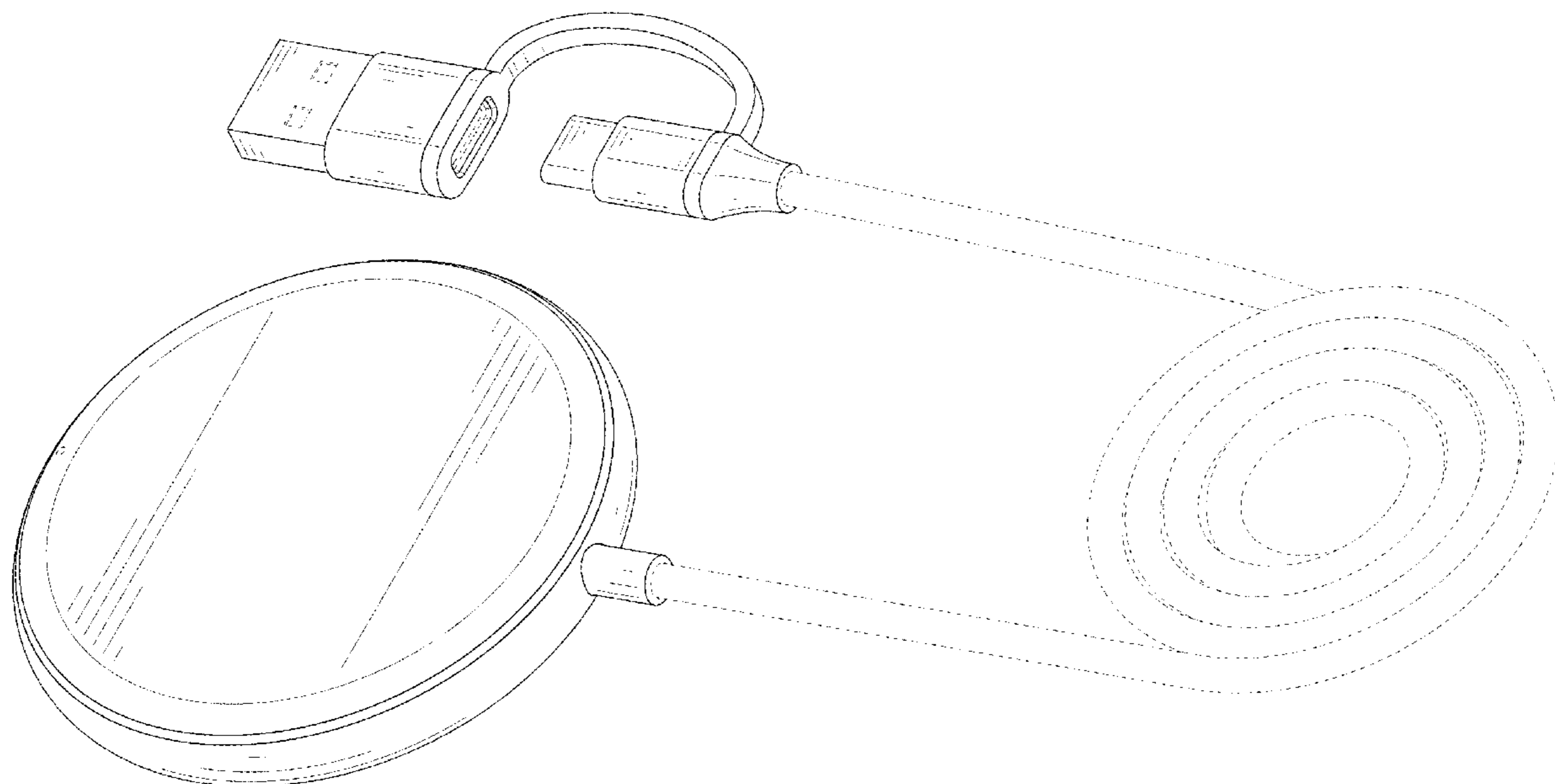
(57) **CLAIM**

The ornamental design for a wireless charger, as shown and described.

DESCRIPTION

FIG. 1 is a perspective view of a wireless charger showing my new design;
 FIG. 2 is another perspective view thereof;
 FIG. 3 is a front elevational view thereof;
 FIG. 4 is a rear elevational view thereof;
 FIG. 5 is a left side elevational view thereof;
 FIG. 6 is a right side elevational view thereof;
 FIG. 7 is a top plan view thereof;
 FIG. 8 is a bottom plan view thereof; and,
 FIG. 9 is a perspective view of the wireless charger where the wireless charger is in a configuration of use.
 The broken lines in the drawings depict portions of the wireless charger that form no part of the claimed design.

1 Claim, 9 Drawing Sheets



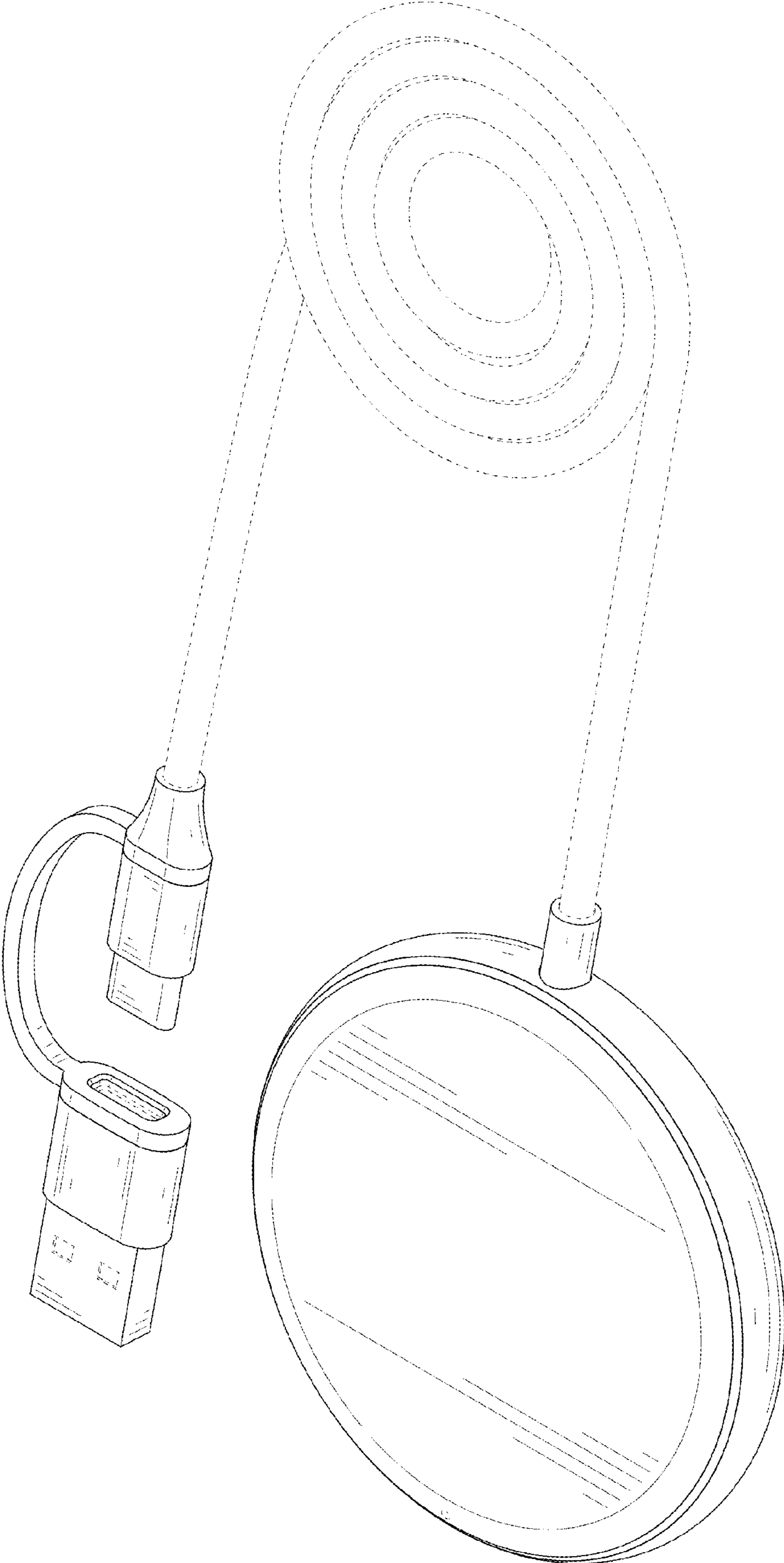


FIG. 1

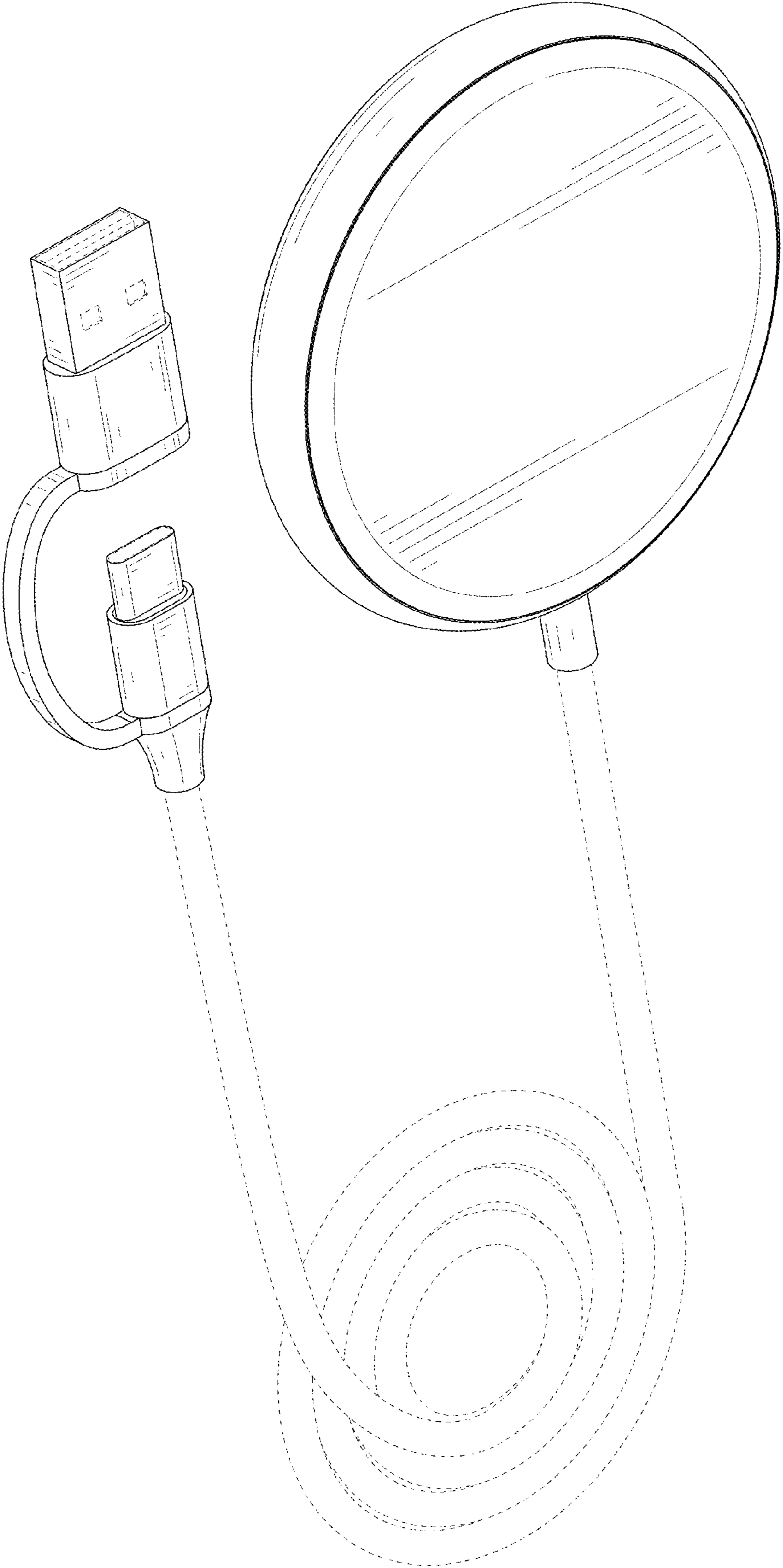


FIG. 2

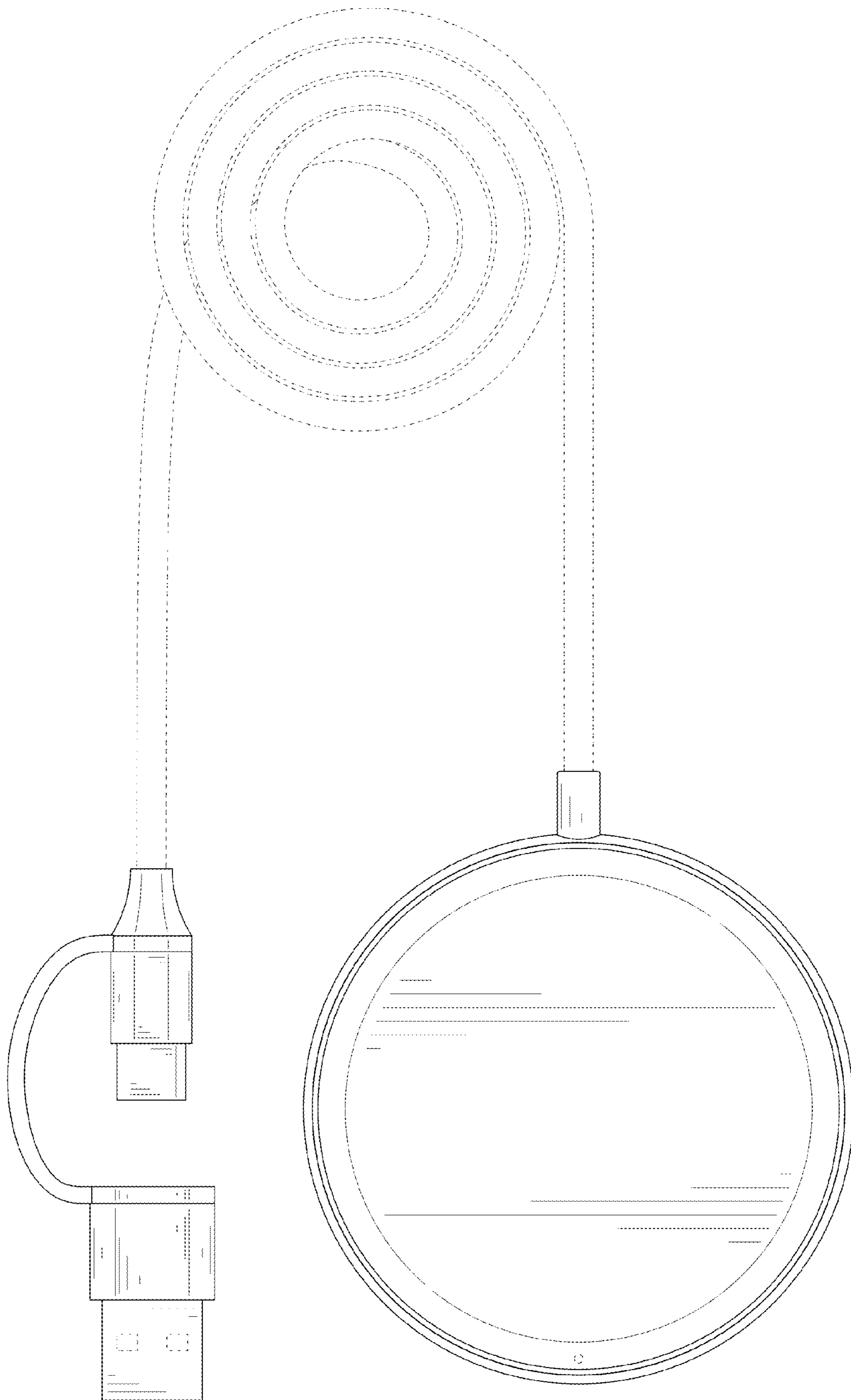


FIG. 3

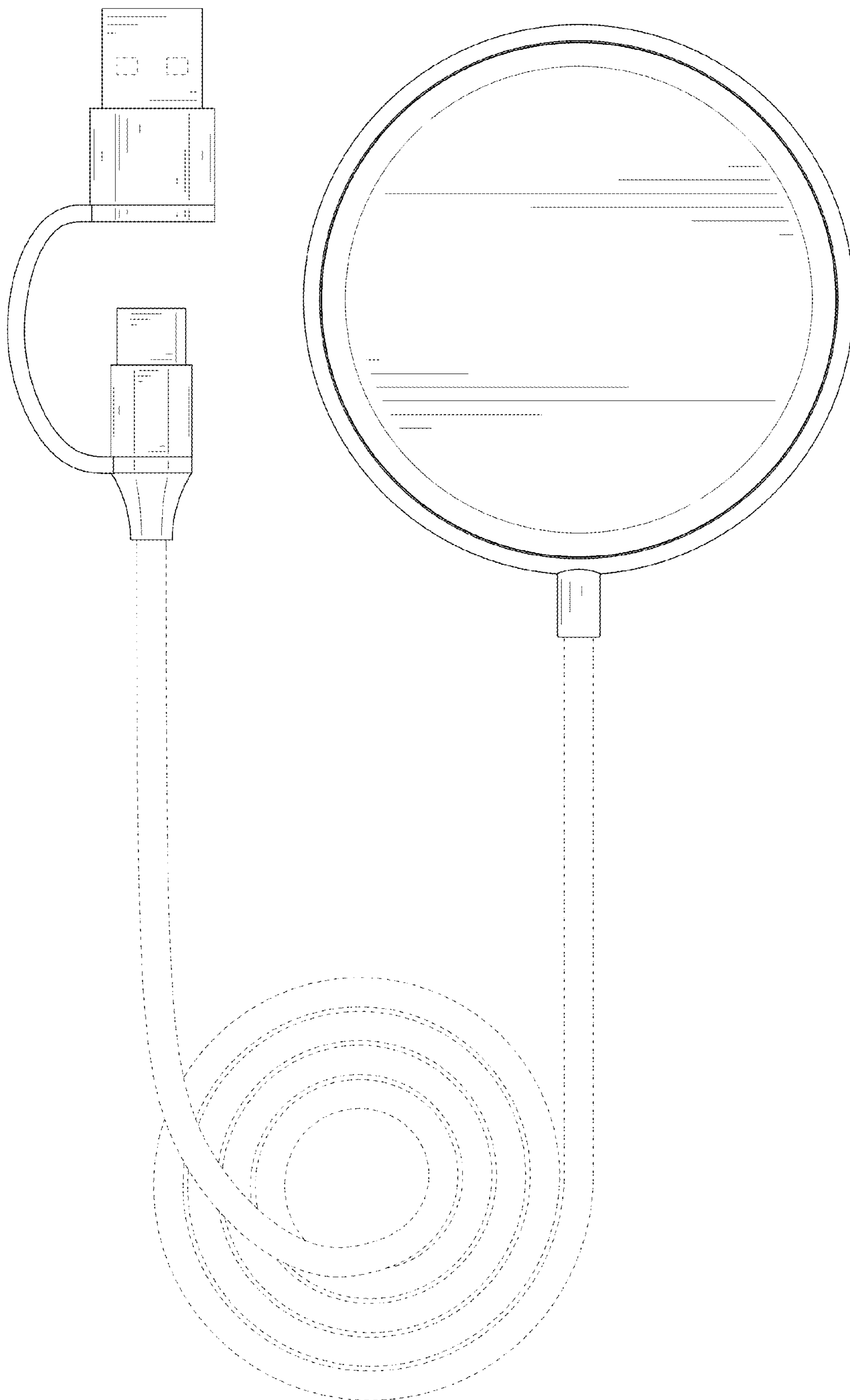


FIG. 4

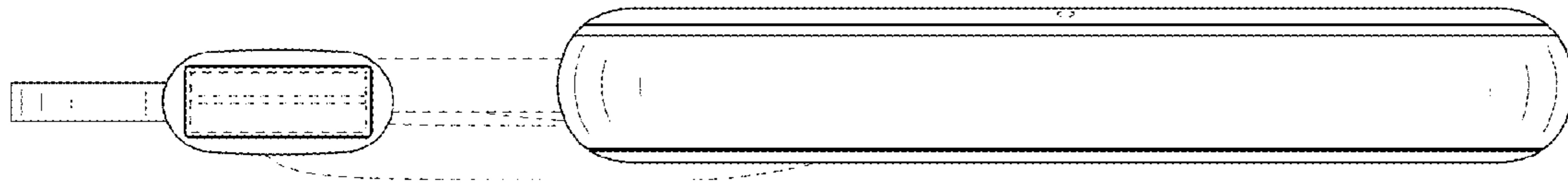


FIG. 5

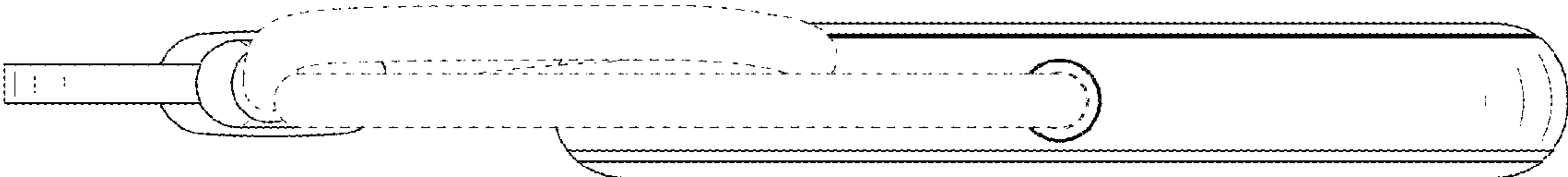


FIG. 6

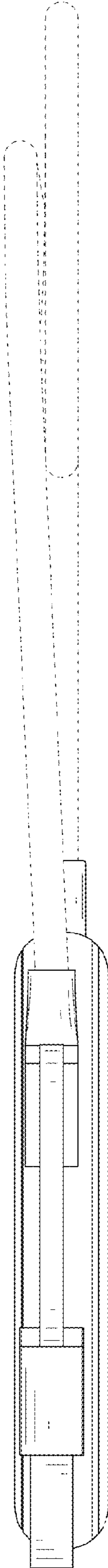


FIG. 7

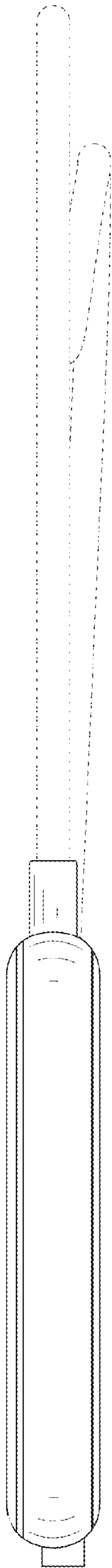


FIG. 8

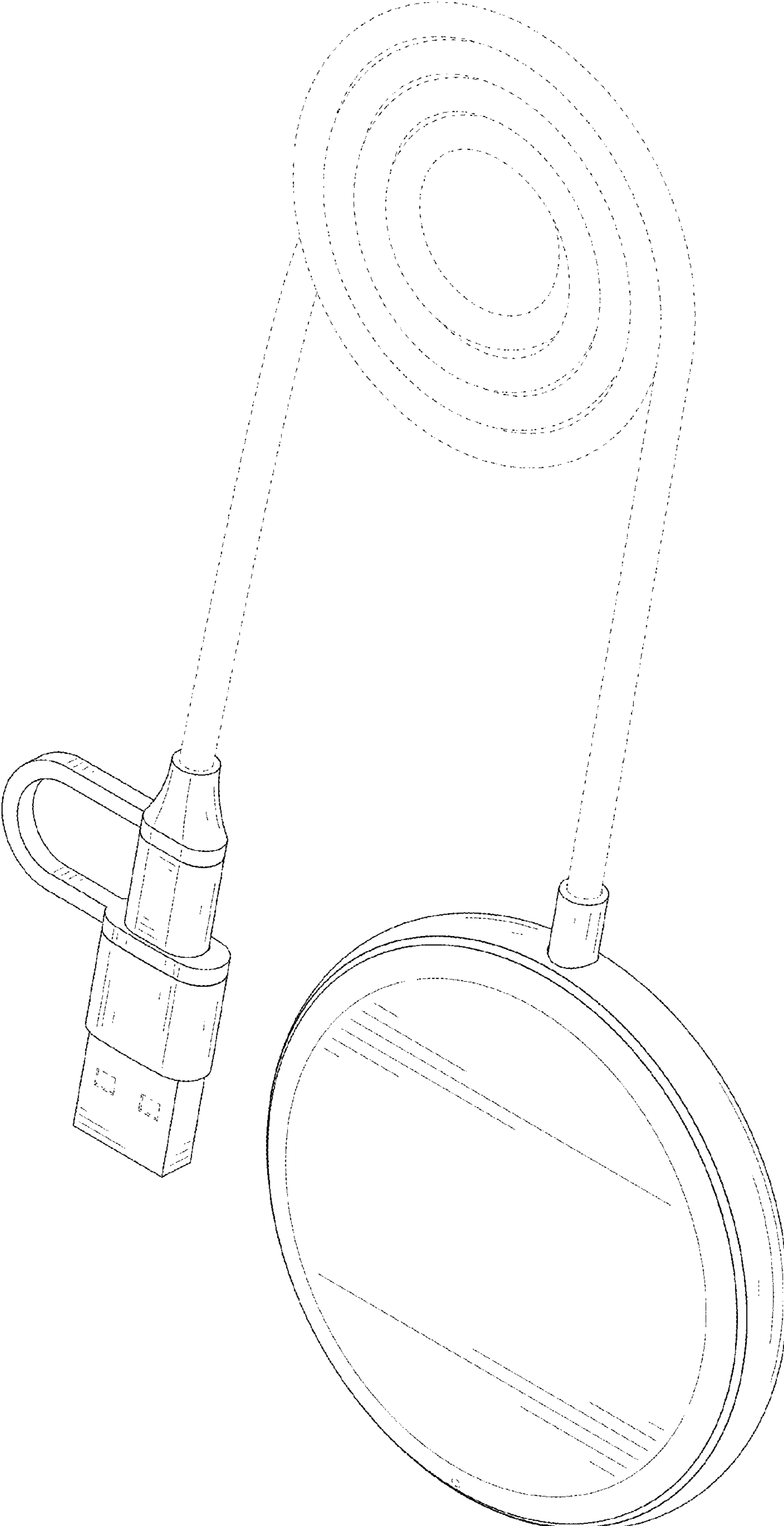


FIG. 9