



US00D935401S

(12) **United States Design Patent**
Zhang

(10) **Patent No.:** **US D935,401 S**

(45) **Date of Patent:** **** Nov. 9, 2021**

- (54) **MOBILE POWER DEVICE**
- (71) Applicant: **Bangfu Zhang**, Shenzhen (CN)
- (72) Inventor: **Bangfu Zhang**, Shenzhen (CN)
- (73) Assignee: **Shenzhen South Fortune Technology Co., Ltd.**, Guangdong (CN)
- (**) Term: **15 Years**

D853,958 S *	7/2019	Lei	D13/108
D853,959 S *	7/2019	Miller	D13/108
D864,861 S *	10/2019	Roberts	D13/108
D869,392 S *	12/2019	Roberts	D13/108
D871,324 S *	12/2019	Roberts	D13/108
D871,329 S *	12/2019	Chen	D13/108
D886,054 S *	6/2020	Liao	D13/108
D893,419 S *	8/2020	Liao	
D894,828 S *	9/2020	Chen	D13/108
D903,588 S *	12/2020	Shoemake	D13/108
D922,319 S *	6/2021	Miller	D13/108
D922,945 S *	6/2021	Sun	D13/108

- (21) Appl. No.: **29/757,457**
- (22) Filed: **Nov. 5, 2020**
- (51) **LOC (13) Cl.** **13-02**
- (52) **U.S. Cl.**
USPC **D13/108; D13/103**
- (58) **Field of Classification Search**
USPC D13/107, 108, 110, 118-119, 184, 199,
D13/103; D14/251, 253, 432, 434
CPC H02J 7/025; H02J 7/0042; H02J 7/0044;
H02J 7/0045; H02J 7/0047; H02J 7/0003;
H02J 7/00047; H02J 7/0013; H02J
7/0027; H02J 7/02
See application file for complete search history.

* cited by examiner

Primary Examiner — Rosemary K Tarcza

(74) *Attorney, Agent, or Firm* — Justin Lampel

(57) **CLAIM**

The ornamental design for a mobile power device, as shown and described.

DESCRIPTION

FIG. 1 is a perspective view of a mobile power device showing the claimed design;
 FIG. 2 is a top plan view thereof;
 FIG. 3 is a left side view thereof;
 FIG. 4 is a rear elevational view thereof;
 FIG. 5 is a right side view thereof;
 FIG. 6 is a front elevational view thereof;
 FIG. 7 is a bottom plan view thereof; and,
 FIG. 8 is an exploded perspective view showing the mobile power device and removable cap separated for clarity of disclosure.

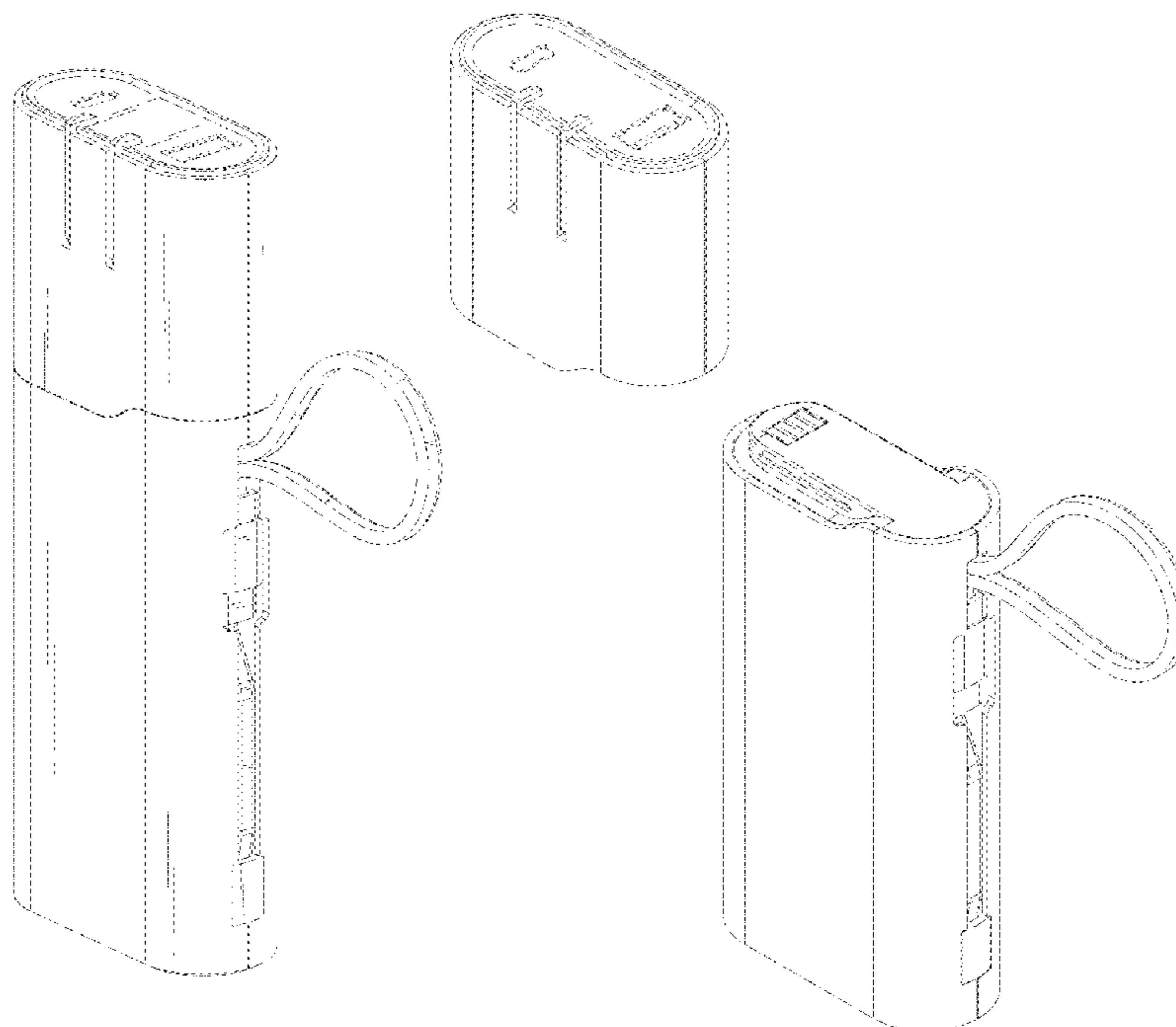
The broken lines shown in the drawings illustrate portions of the mobile power device that form no part of the claimed design.

1 Claim, 8 Drawing Sheets

(56) **References Cited**

U.S. PATENT DOCUMENTS

D742,312 S *	11/2015	Gupta	D13/108
D783,525 S *	4/2017	Gupta	D13/108
D787,443 S *	5/2017	Chiang	D13/110
D790,464 S *	6/2017	He	D13/110
D812,000 S *	3/2018	Li	D13/108
D822,601 S *	7/2018	Xiong	D13/110
D831,567 S *	10/2018	Kim	D13/108
D836,543 S *	12/2018	Sun	D13/108
D839,823 S *	2/2019	Lemelson	D13/103



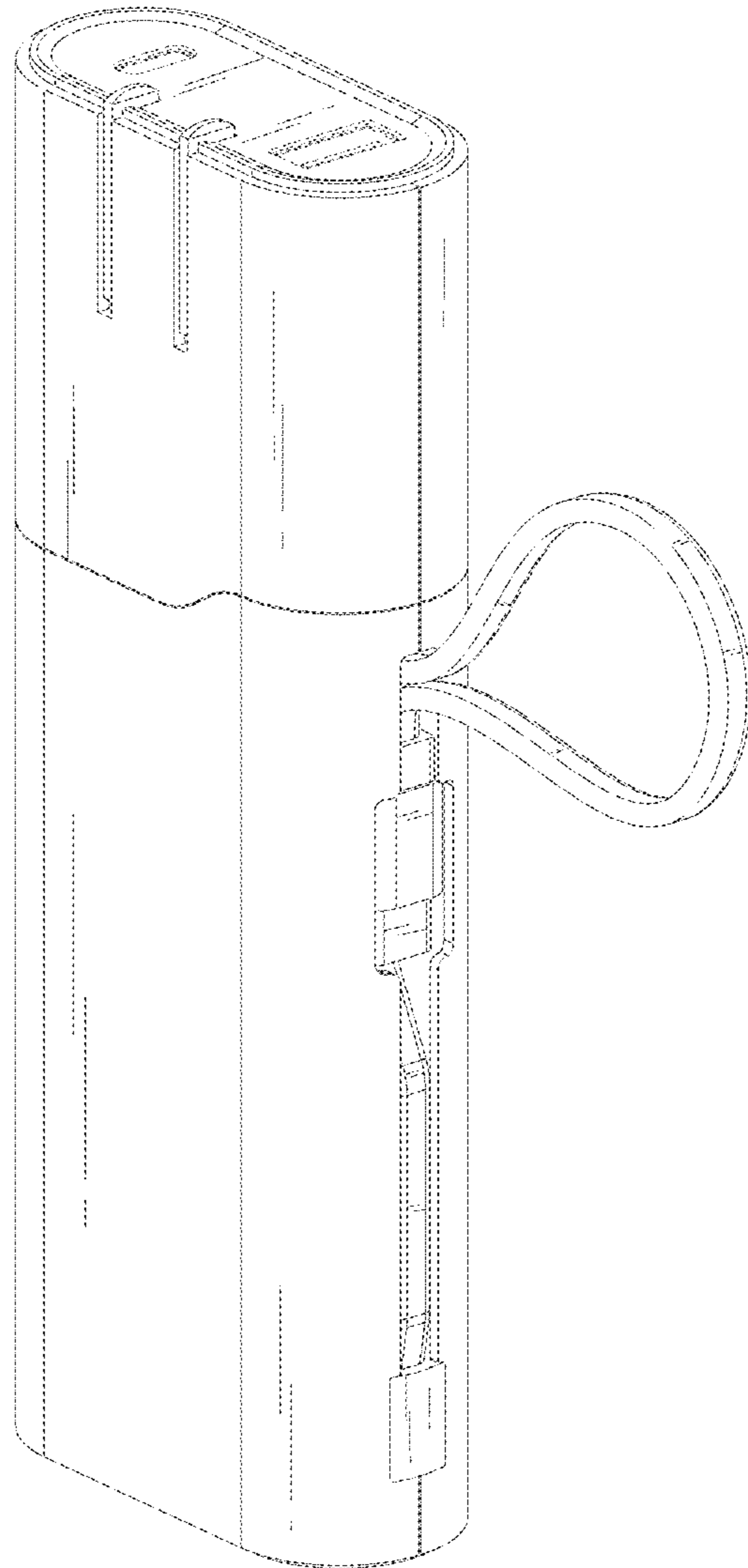


FIG. 1

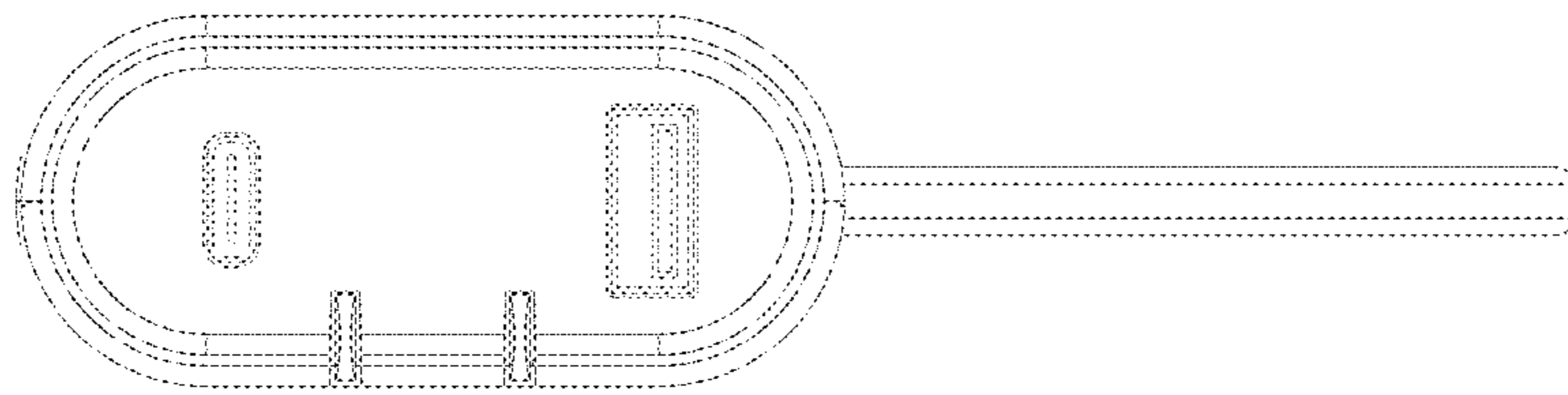


FIG.2

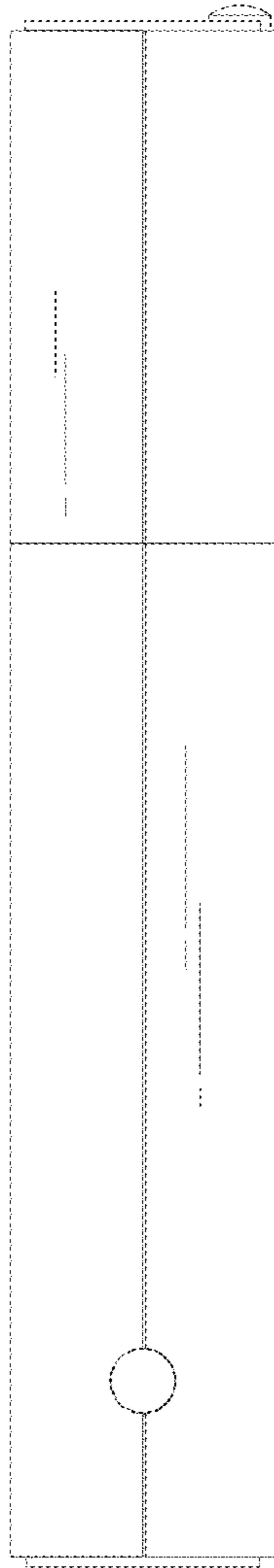


FIG.3

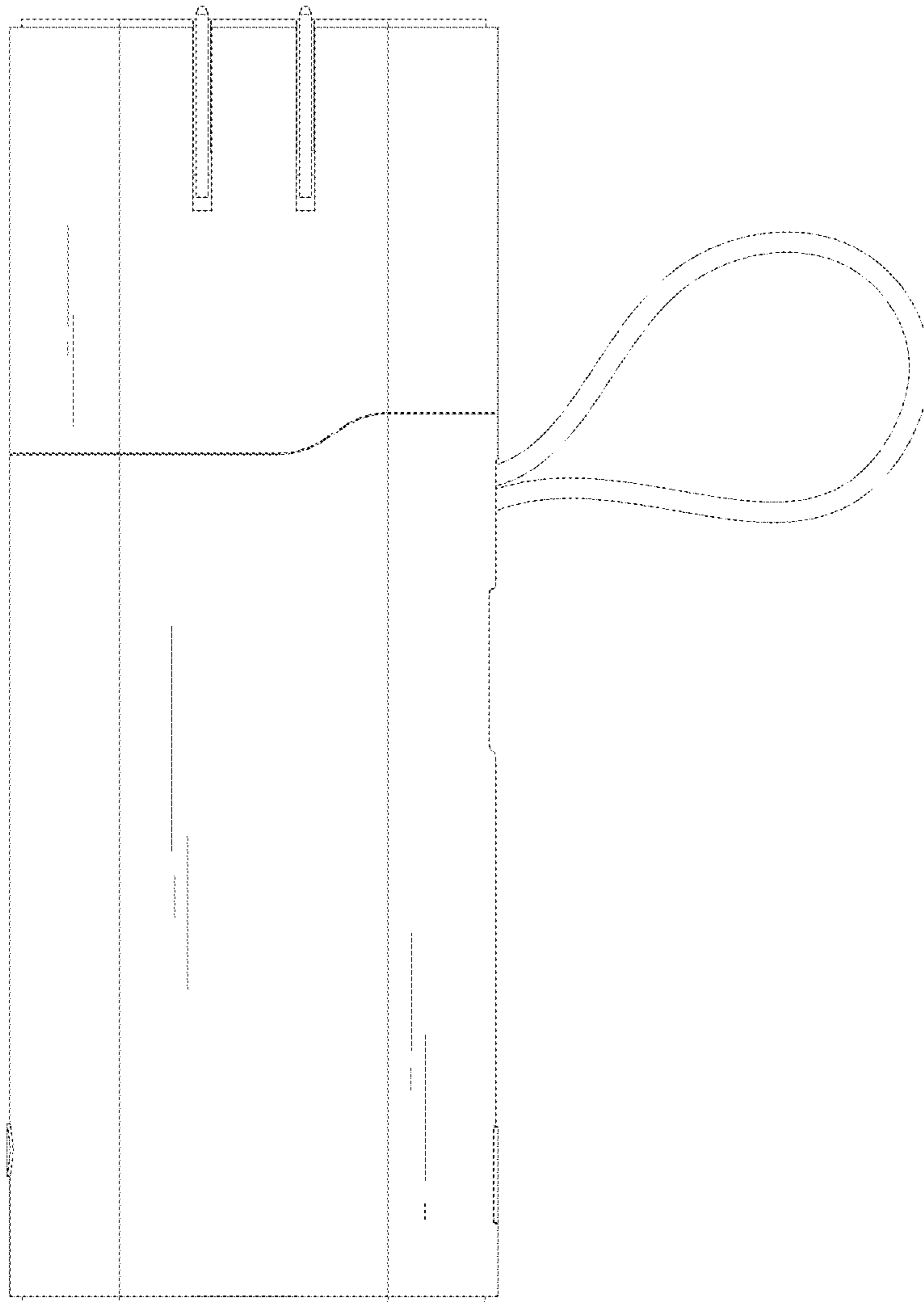


FIG. 4

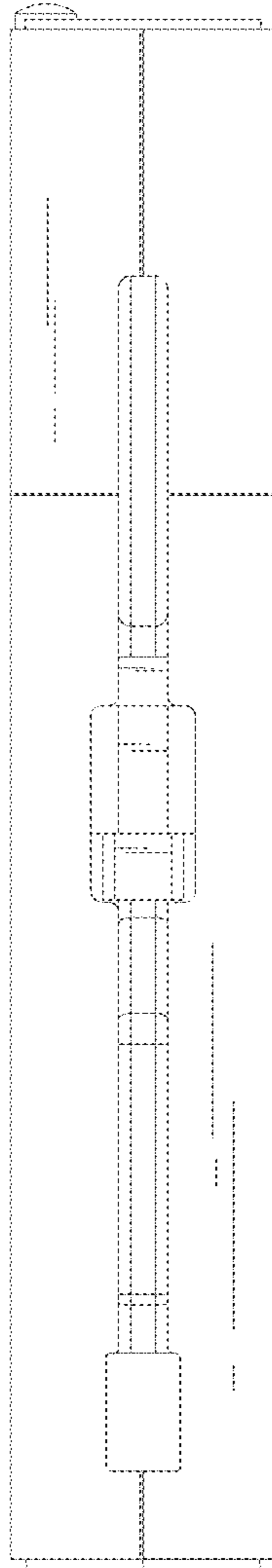


FIG. 5

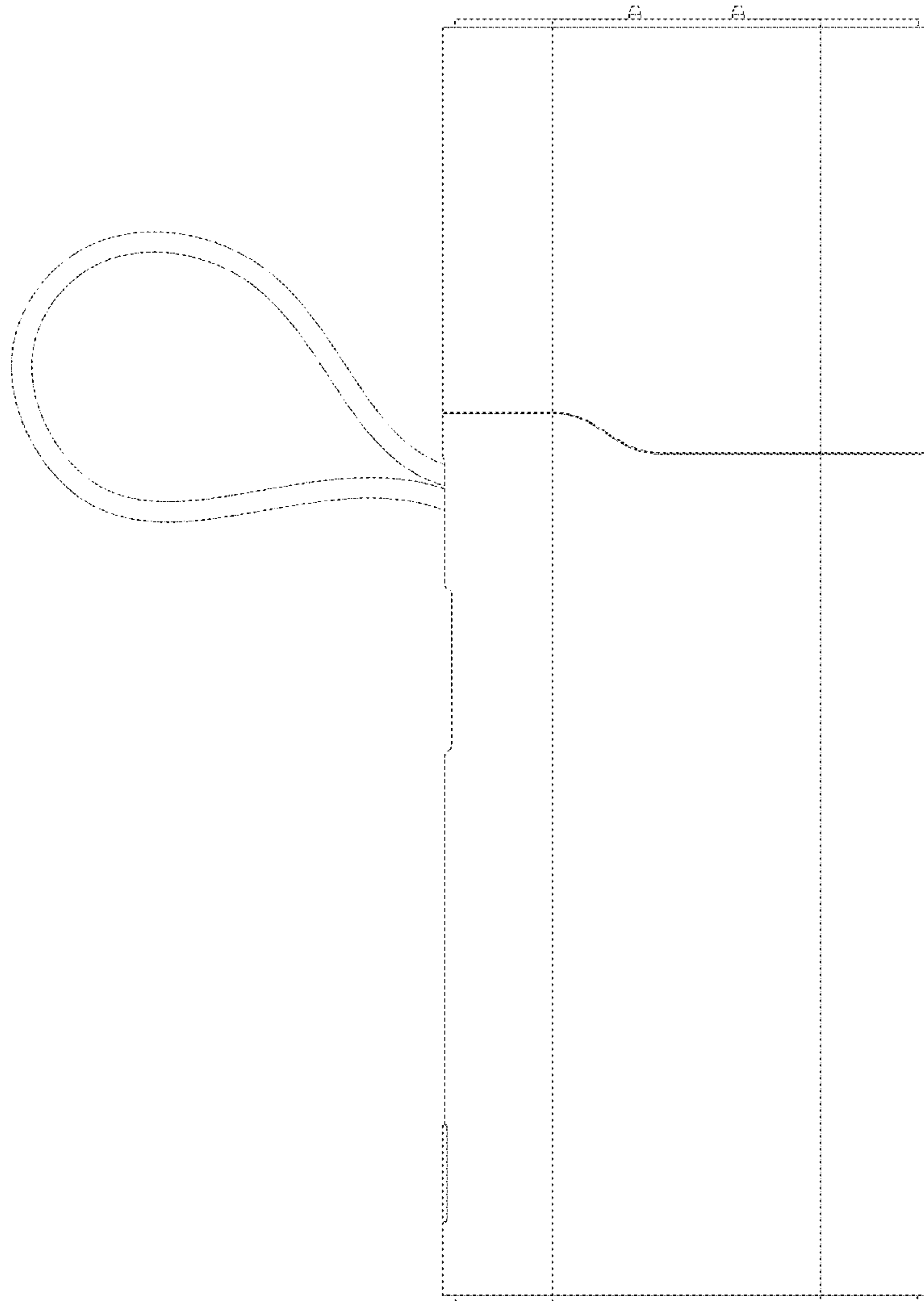


FIG.6

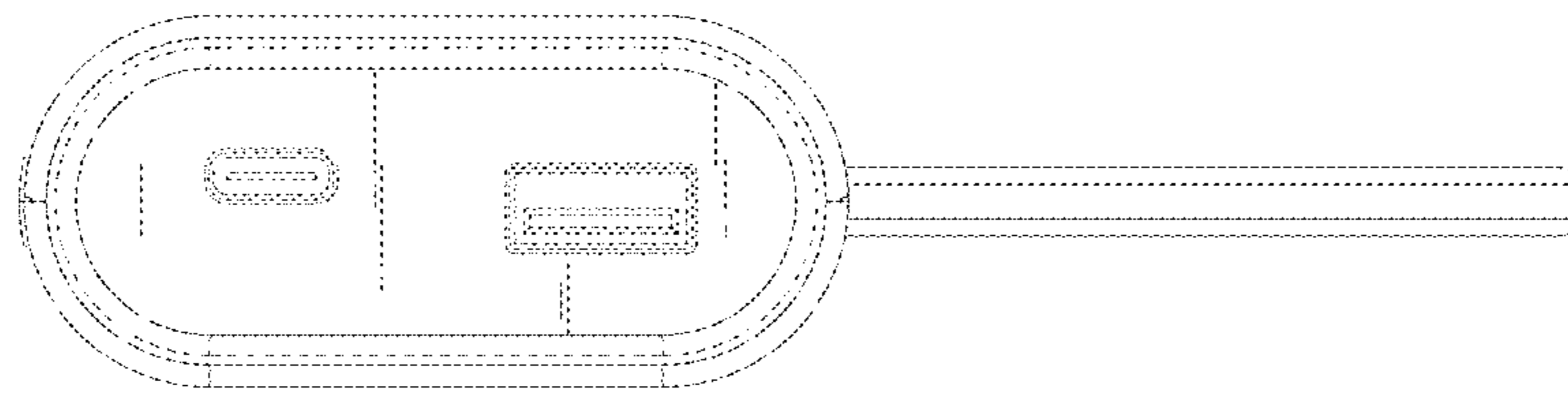


FIG. 7

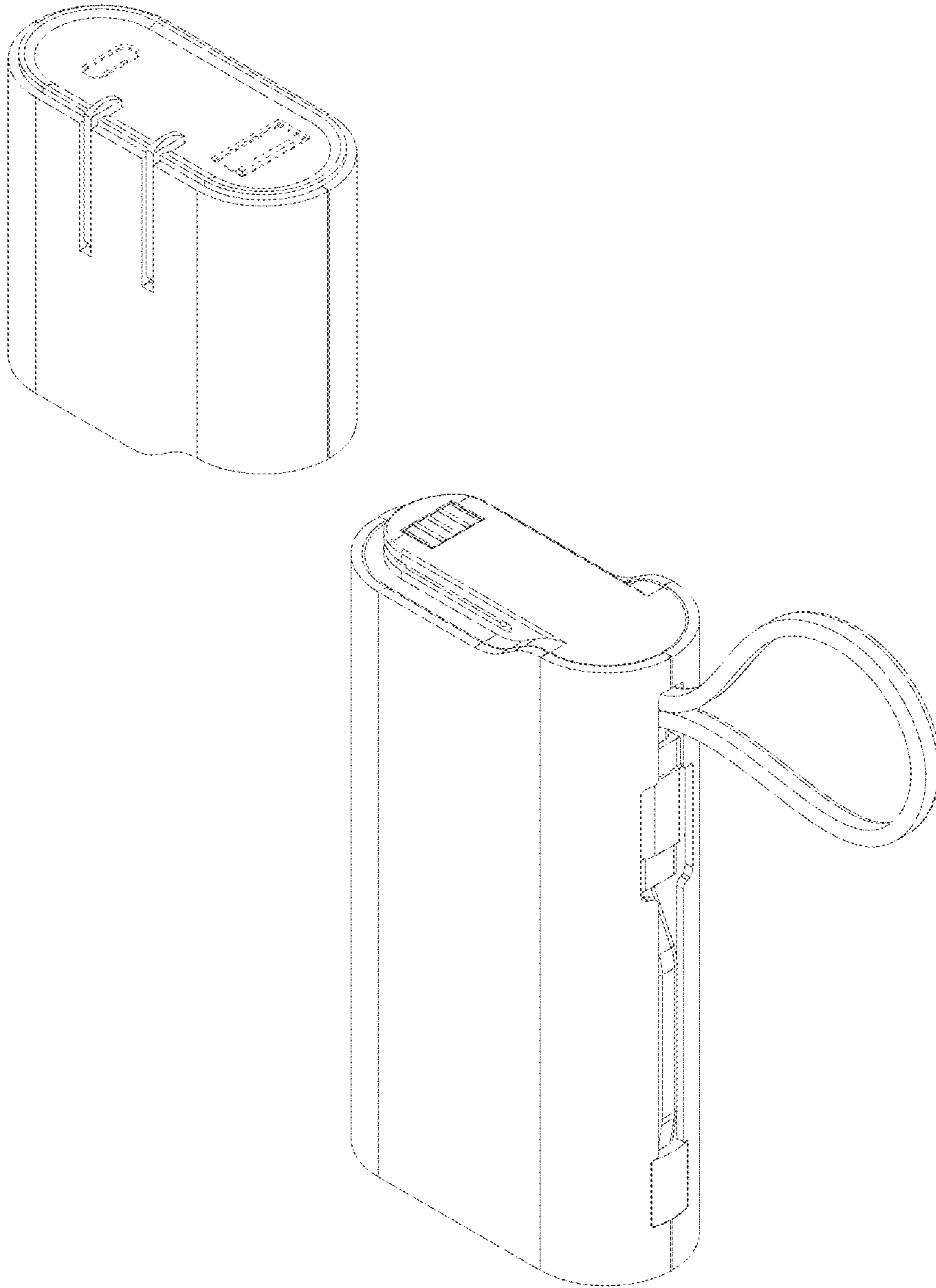


FIG. 8