



US00D935400S

(12) **United States Design Patent**
Zhang

(10) **Patent No.:** **US D935,400 S**

(45) **Date of Patent:** **** Nov. 9, 2021**

(54) **MULTI-FUNCTION CHARGER**

(71) Applicant: **Shenzhen You And I Electronics Co., Ltd.**, Shenzhen (CN)

(72) Inventor: **Fei Zhang**, Shenzhen (CN)

(**) Term: **15 Years**

(21) Appl. No.: **29/746,818**

(22) Filed: **Aug. 18, 2020**

(30) **Foreign Application Priority Data**

Apr. 10, 2020 (CN) 202030141146.4

(51) **LOC (13) Cl.** **13-02**

(52) **U.S. Cl.**
USPC **D13/108**

(58) **Field of Classification Search**
USPC D13/103, 107-110, 118-119, 184, 199;
D14/251, 253, 432, 434
CPC .. H02J 50/00; H02J 50/10; H02J 50/12; H02J
50/80; H02J 7/025; H02J 7/005; H02J
7/0026; H02J 7/0042; H02J 7/0044; H02J
7/0045; H02J 7/0013; H02J 7/0003; H02J
50/40; H02J 50/402; H02J 7/007; H02J
7/0027

See application file for complete search history.

(56) **References Cited**

U.S. PATENT DOCUMENTS

D813,805 S * 3/2018 Zhong D13/108
D814,413 S * 4/2018 Zhong D13/108
D826,851 S * 8/2018 Wang D13/108
D852,134 S * 6/2019 Mei D13/108
D852,135 S * 6/2019 Mei D13/108

D858,437 S * 9/2019 Lu D13/108
D866,458 S 11/2019 Chen
D872,691 S * 1/2020 Liao D13/108
D873,216 S * 1/2020 Zhang D13/108
D873,259 S * 1/2020 Lindof D14/253
D875,043 S * 2/2020 Yi D13/108
D875,679 S * 2/2020 Yi D13/108
D877,072 S * 3/2020 Yin D13/108
D878,290 S * 3/2020 Lee D13/108
D881,123 S * 4/2020 Zhang D13/108
D886,059 S * 6/2020 Hu D13/108
D887,973 S 6/2020 Chen et al.
D889,403 S * 7/2020 Li D13/108
D890,697 S 7/2020 Chen et al.
D892,046 S * 8/2020 Peng D13/108
D905,042 S * 12/2020 Lim D14/253
D905,631 S * 12/2020 Nauroy D13/108

* cited by examiner

Primary Examiner — Rosemary K Tarcza

(57) **CLAIM**

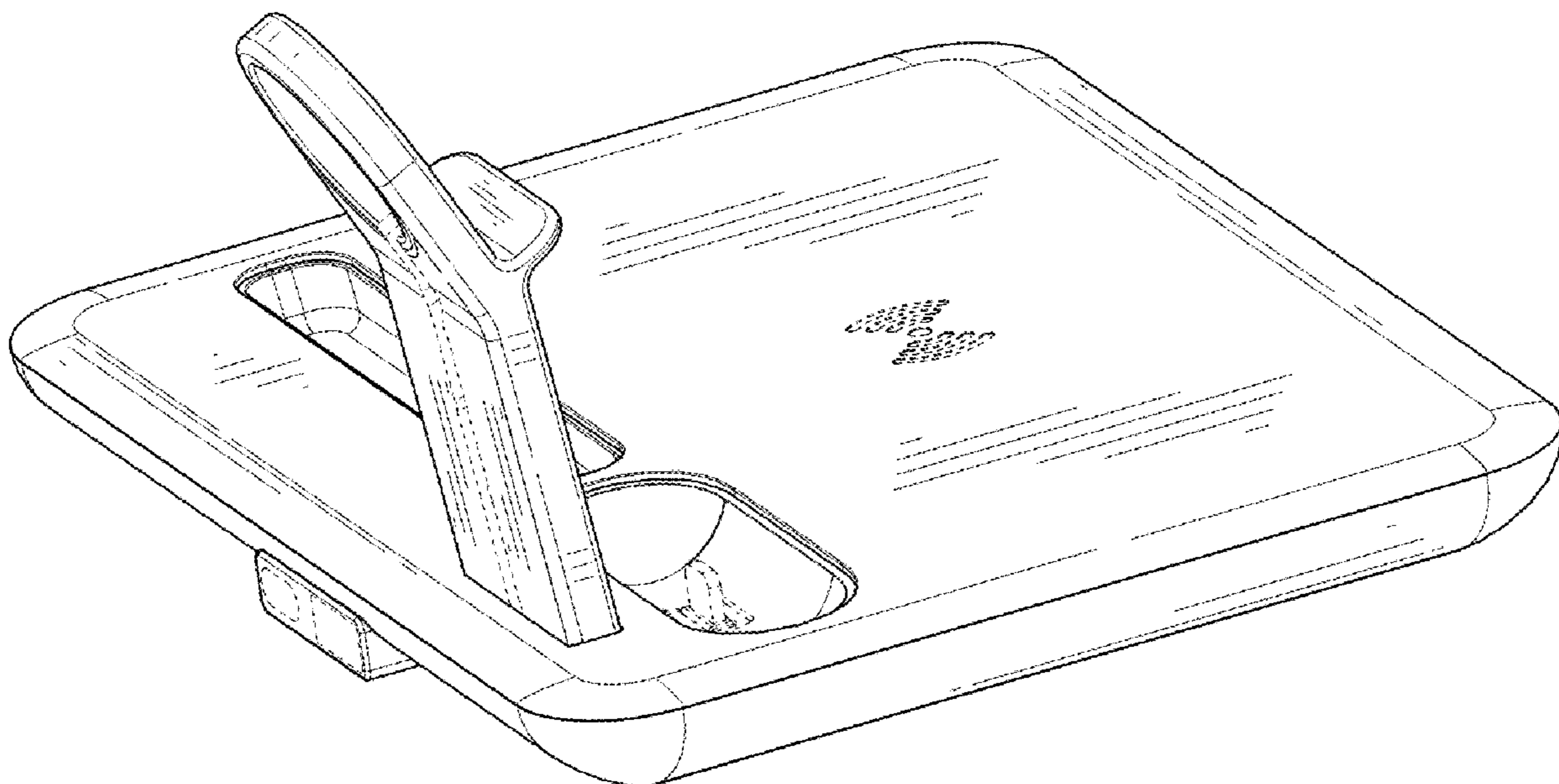
The ornamental design for a multi-function charger, as shown and described.

DESCRIPTION

FIG. 1 is a perspective view of a multi-function charger showing my new design;
FIG. 2 is a front view thereof;
FIG. 3 is a back view thereof;
FIG. 4 is a left side view thereof;
FIG. 5 is a right side view thereof;
FIG. 6 is a top view thereof; and,
FIG. 7 is a bottom view thereof.

The broken lines shown in the drawings depict portions of the multi-function charger in which the design is embodied that form no part of the claimed design.

1 Claim, 7 Drawing Sheets



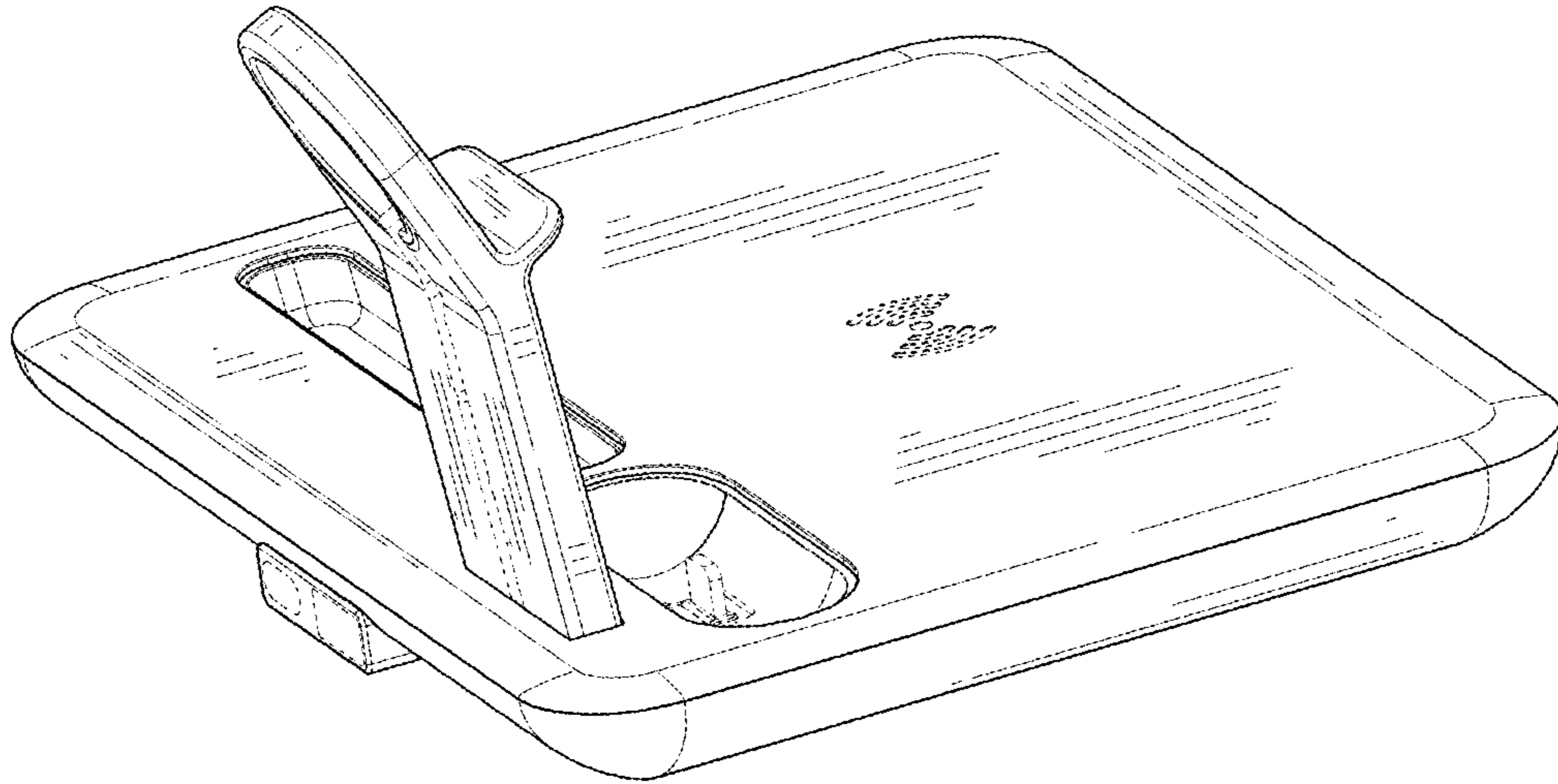


FIG. 1

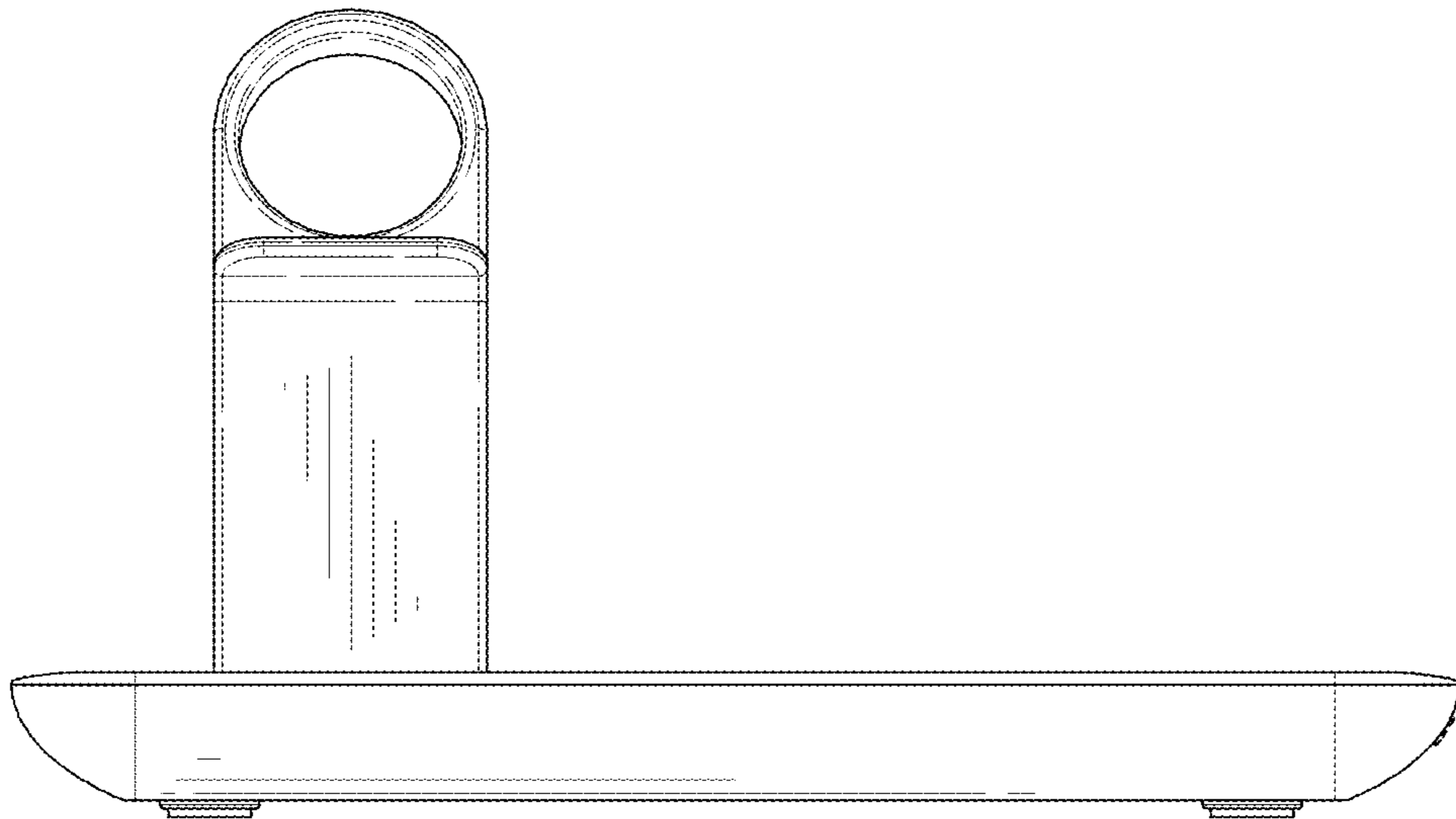


FIG. 2

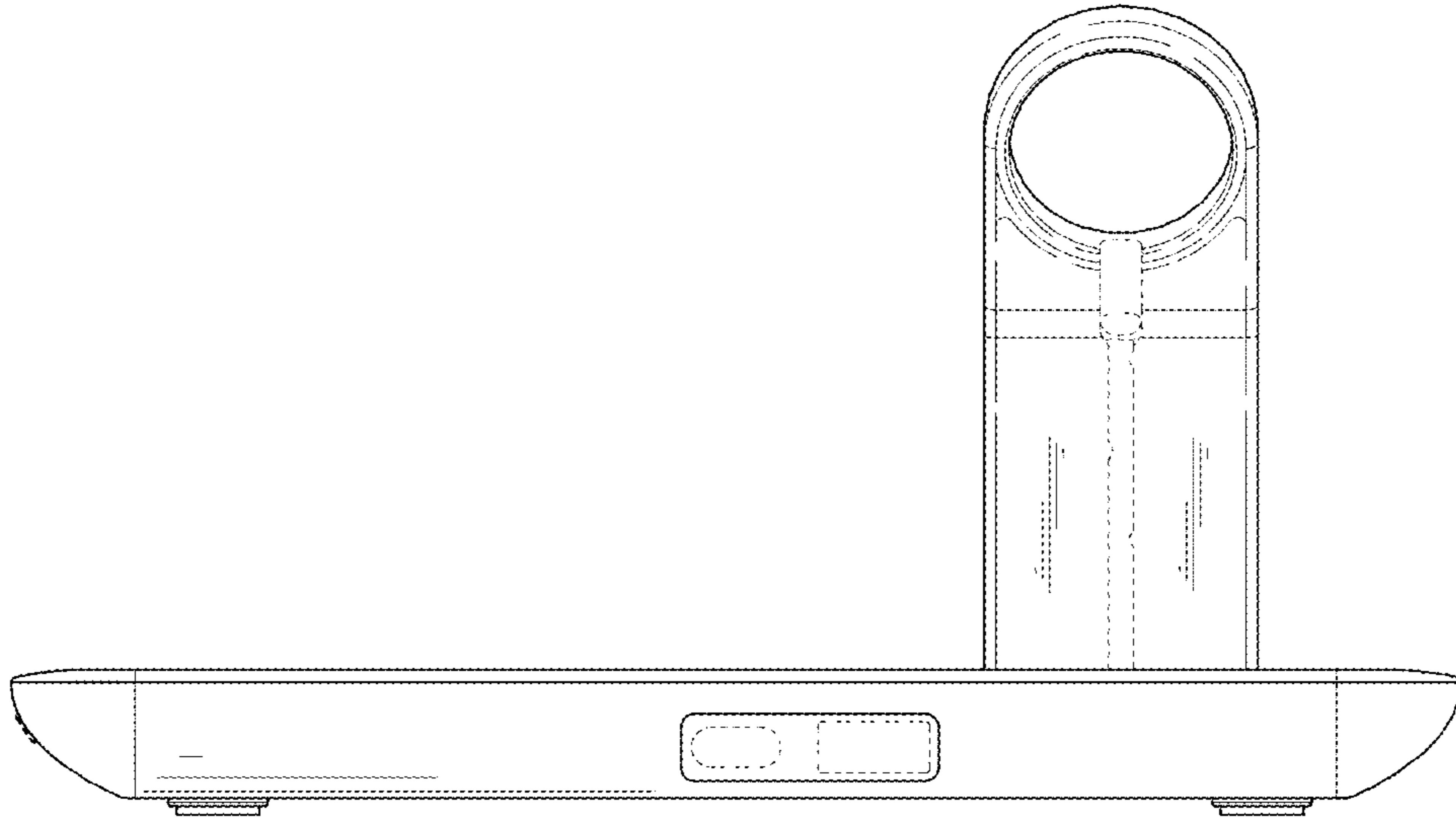


FIG. 3

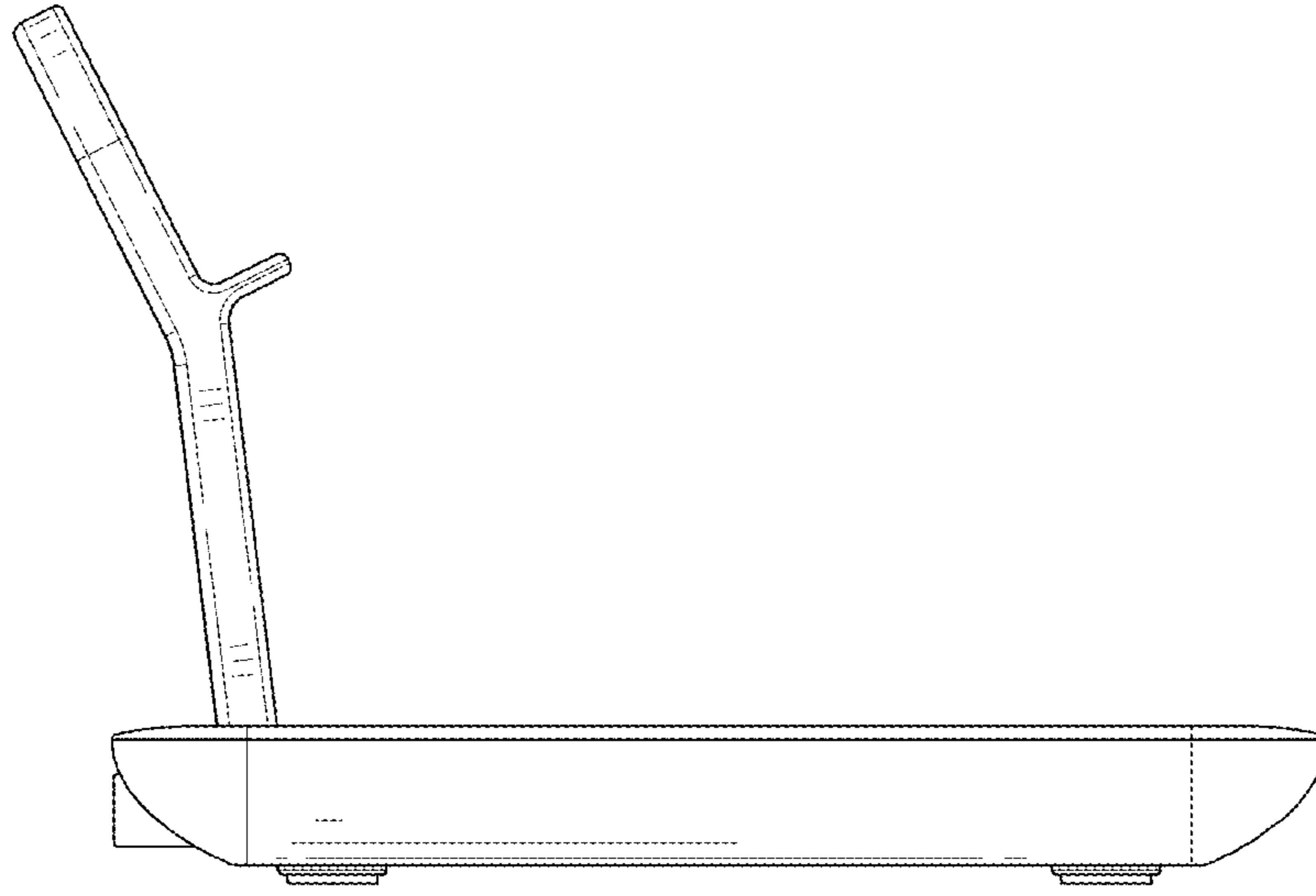


FIG. 4

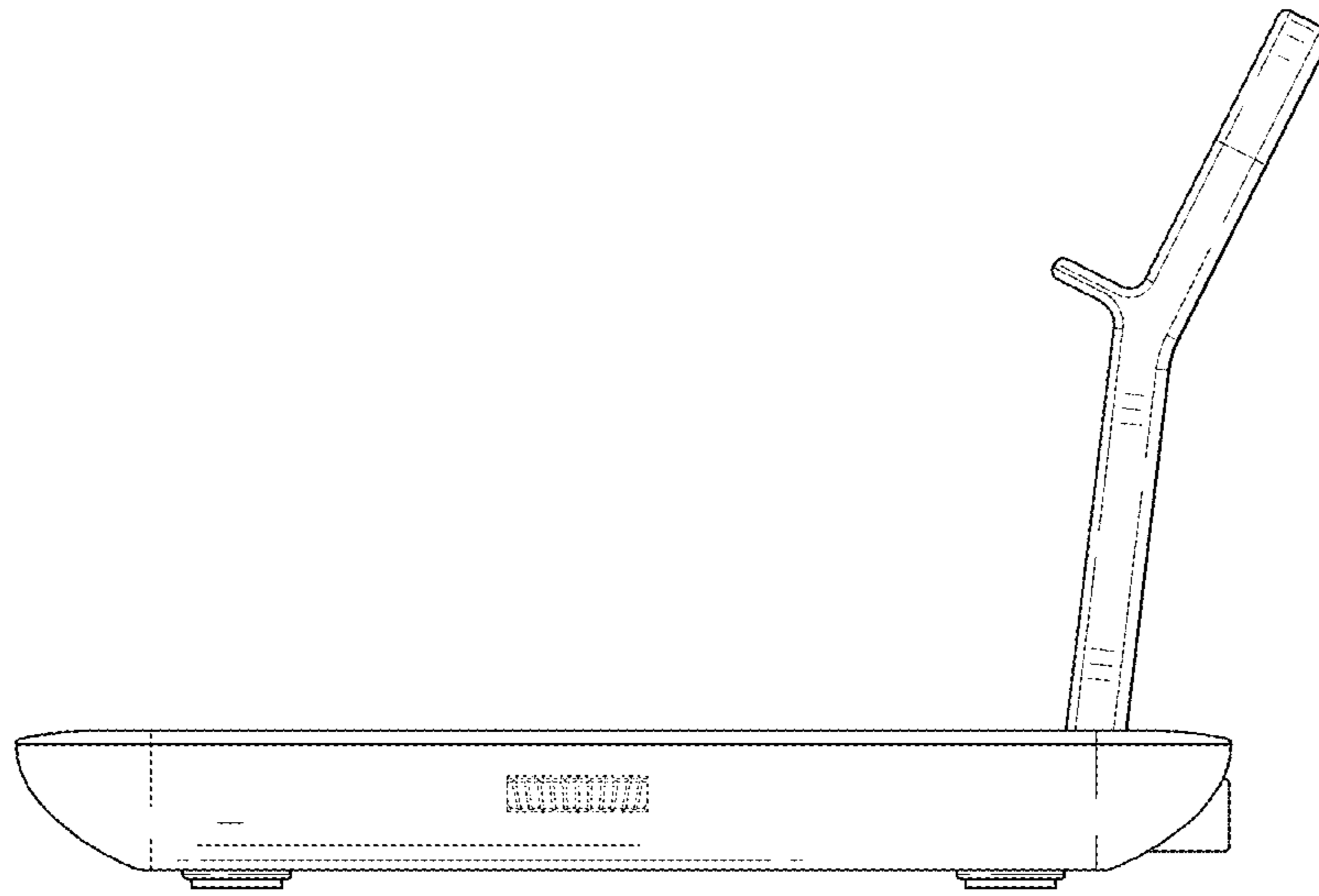


FIG. 5

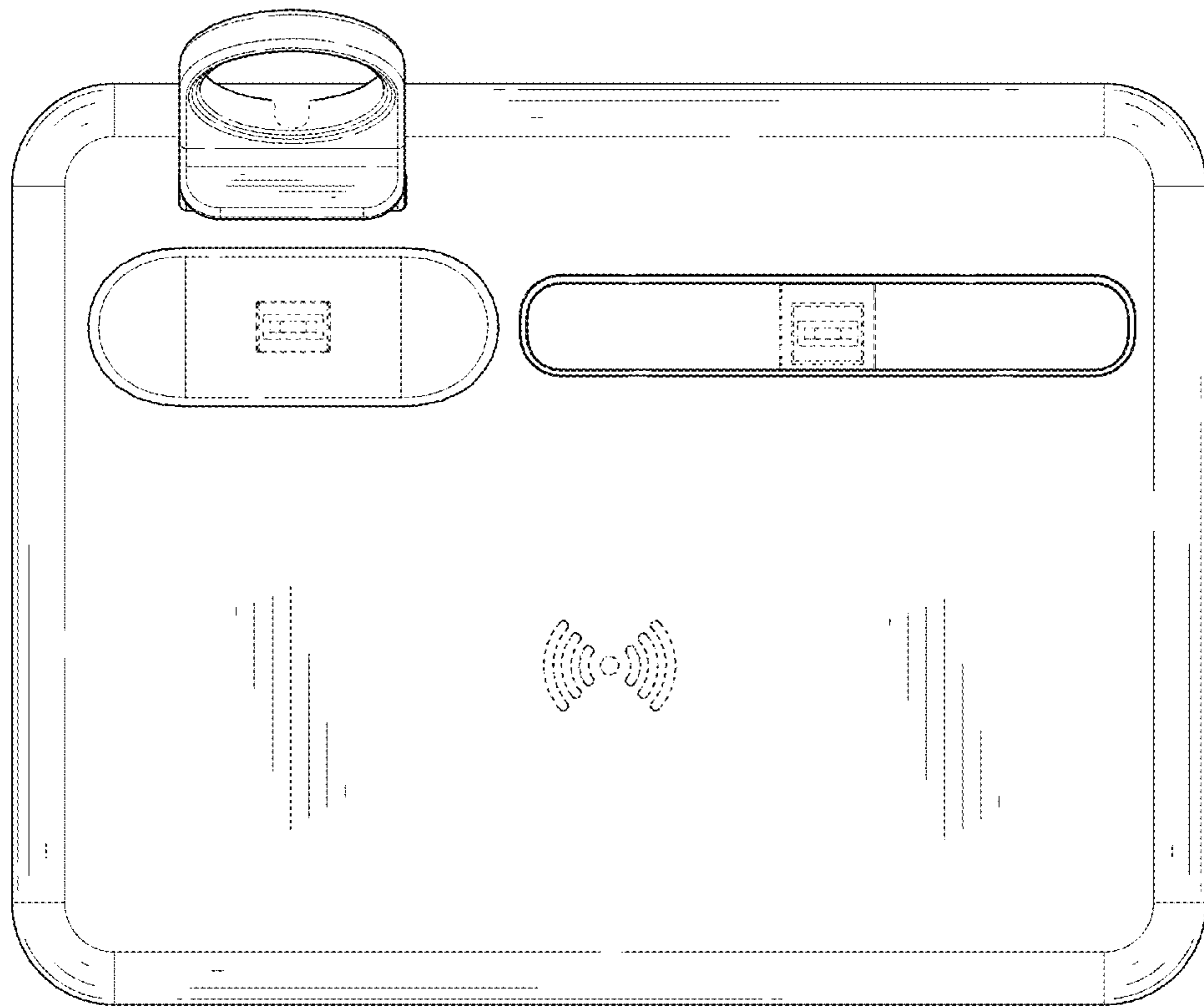


FIG. 6

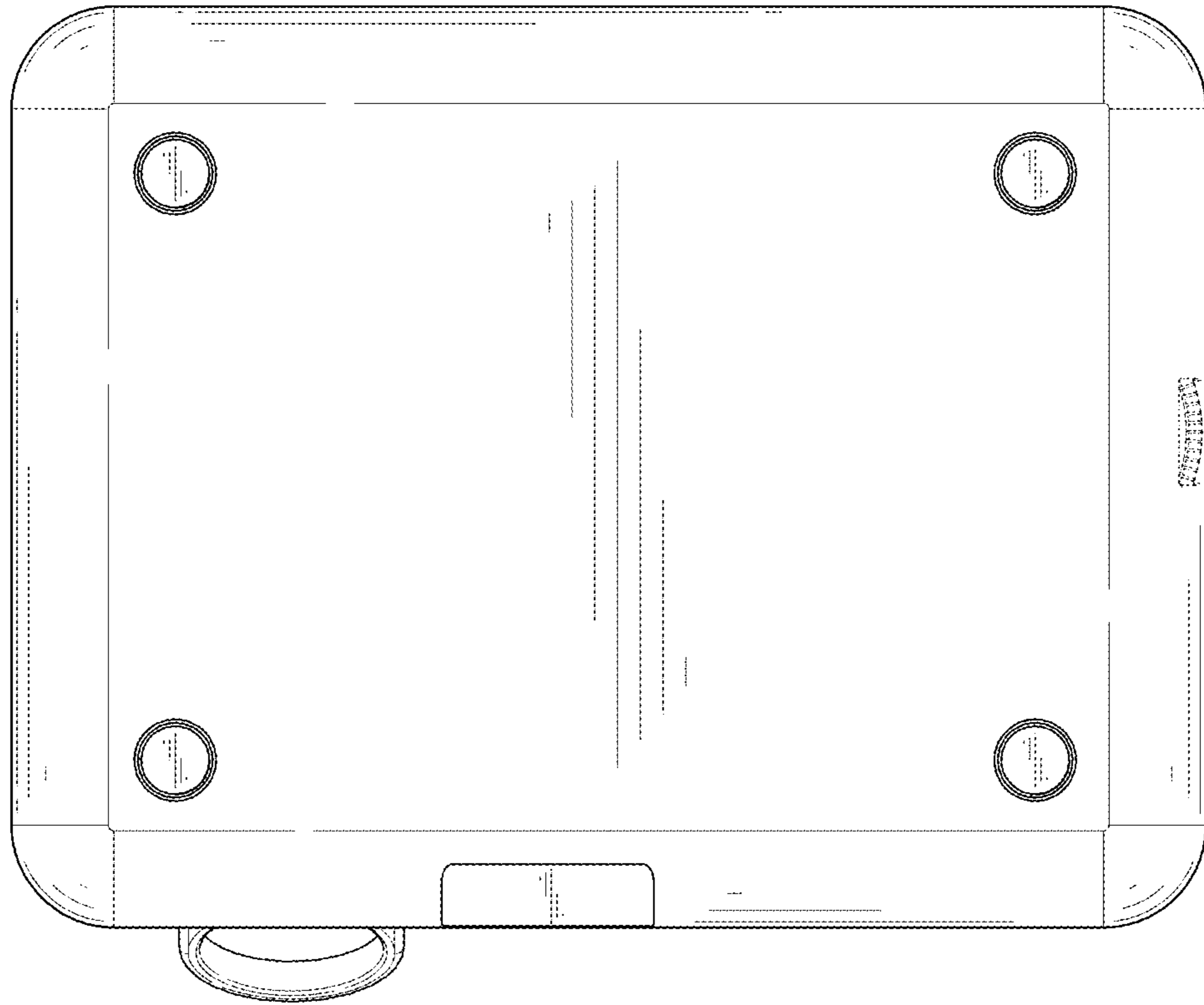


FIG. 7