



US00D935399S

(12) **United States Design Patent**  
**Lin et al.**

(10) **Patent No.:** **US D935,399 S**  
(45) **Date of Patent:** **\*\* Nov. 9, 2021**

(54) **WIRELESS CHARGING STAND FOR CATHOLIC SMART ROSARY**

(71) Applicant: **Acer Incorporated**, New Taipei (TW)

(72) Inventors: **Chun-Te Lin**, New Taipei (TW);  
**Tsun-Chih Yang**, New Taipei (TW)

(73) Assignee: **Acer Incorporated**, New Taipei (TW)

(\*\*) Term: **15 Years**

(21) Appl. No.: **29/729,847**

(22) Filed: **Mar. 31, 2020**

(30) **Foreign Application Priority Data**

Feb. 27, 2020 (TW) ..... 109300956

(51) **LOC (13) Cl.** ..... **13-02**

(52) **U.S. Cl.**  
USPC ..... **D13/108**

(58) **Field of Classification Search**

USPC ..... D13/107-110, 118, 119, 184, 199  
CPC .. Y02E 60/12; H01R 13/6675; H01M 2/1022;  
H01M 2/1055; H01M 10/44; H01M  
10/46; H01M 10/425; H02J 2001/008;  
H02J 3/32; H02J 3/008; H02J 7/0027;  
H02J 7/0013; H02J 7/0054; H02J 7/00;  
B60R 16/03

See application file for complete search history.

(56) **References Cited**

**U.S. PATENT DOCUMENTS**

D762,650 S \* 8/2016 Dang ..... D14/434  
D776,053 S \* 1/2017 Barnard ..... D13/108  
D788,094 S \* 5/2017 Kim ..... D14/253  
D788,762 S \* 6/2017 Kim ..... D14/253  
D813,805 S \* 3/2018 Zhong ..... D13/108  
D816,027 S \* 4/2018 Chen ..... D13/108  
D826,851 S \* 8/2018 Wang ..... D13/108

D839,190 S \* 1/2019 Xie ..... D13/108  
D852,134 S \* 6/2019 Mei ..... D13/108  
D852,135 S \* 6/2019 Mei ..... D13/108  
D855,566 S \* 8/2019 Chen ..... D13/108  
D857,626 S \* 8/2019 Zhang ..... D13/108  
D858,437 S \* 9/2019 Lu ..... D13/108  
D870,041 S \* 12/2019 Choi ..... D13/108

(Continued)

**OTHER PUBLICATIONS**

Vaticannews.va: "Click to Pray eRosary". . . Published Oct. 25, 2019. Retrieved from the internet at <<https://www.vaticannews.va/en/vatican-city/news/2019-10/click-pray-rosary-smart-digital-device-world-peace.html>>, Mar. 23, 2021. 6 pages. (Year: 2019).\*

*Primary Examiner* — Christy Nemeth

(74) *Attorney, Agent, or Firm* — JCIPRNET

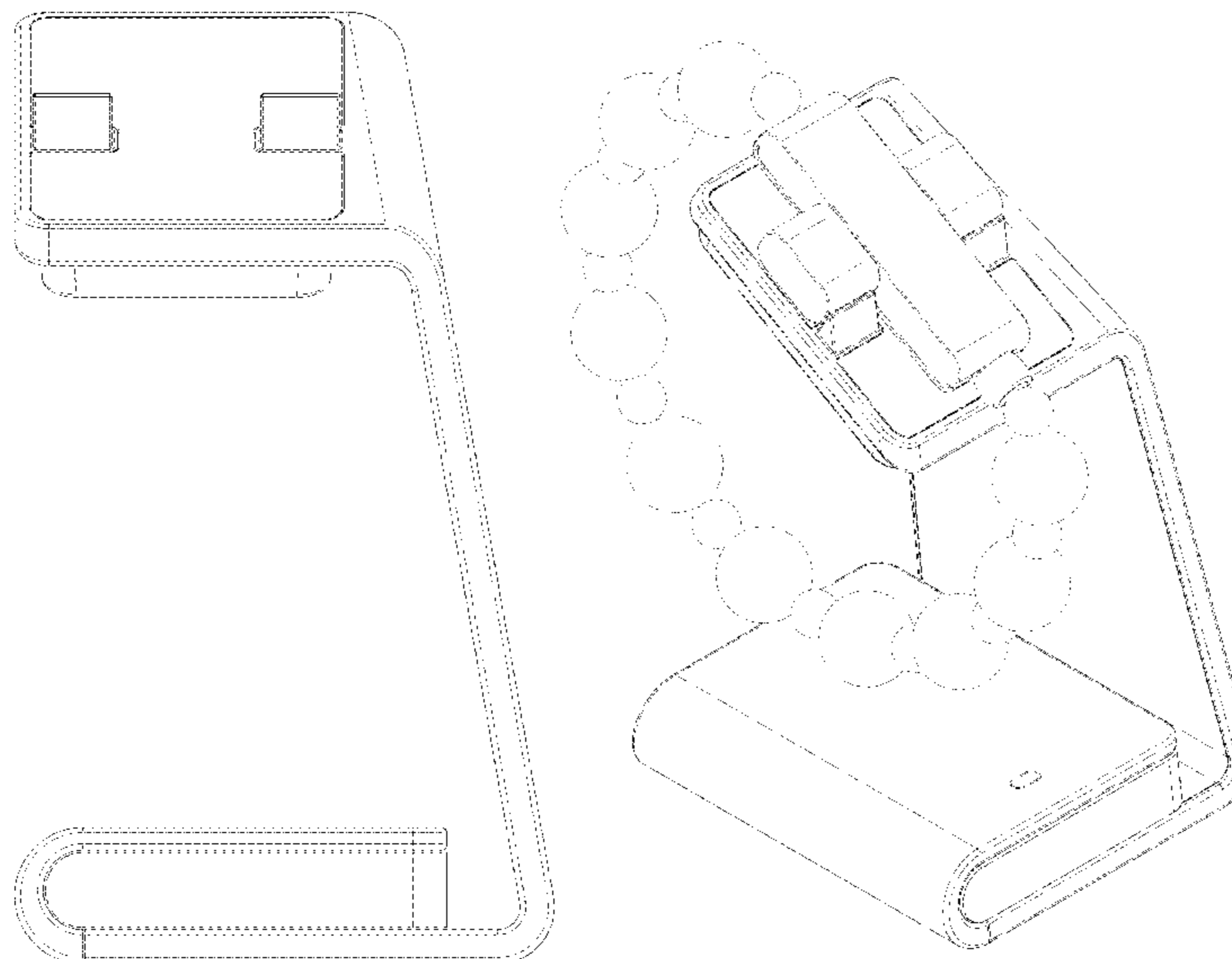
(57) **CLAIM**

The ornamental design for a wireless charging stand for catholic smart rosary, as shown and described.

**DESCRIPTION**

FIG. 1 is a perspective view of a wireless charging stand for catholic smart rosary showing our new design;  
FIG. 2 is another perspective view thereof;  
FIG. 3 is a front view thereof;  
FIG. 4 is a rear view thereof;  
FIG. 5 is a left side view thereof;  
FIG. 6 is a right side view thereof;  
FIG. 7 is a top view thereof;  
FIG. 8 is a bottom view thereof; and,  
FIG. 9 is a perspective view thereof, shown in a state of use. The broken lines illustrating a smart rosary in FIG. 9 are for the purpose of illustrating environmental subject matter that forms no part of the claimed design. The remaining broken lines in the drawings are for the purpose of illustrating portions of the article that form no part of the claimed design.

**1 Claim, 9 Drawing Sheets**



(56)

**References Cited**

## U.S. PATENT DOCUMENTS

D871,331	S	*	12/2019	Langhammer	.....	D13/108
D877,072	S	*	3/2020	Yin	.....	D13/108
D879,035	S	*	3/2020	Li	.....	D13/108
D881,123	S	*	4/2020	Zhang	.....	D13/108
D884,621	S	*	5/2020	Feng	.....	D13/108
D884,622	S	*	5/2020	Huang	.....	D13/108
D886,051	S	*	6/2020	Chen	.....	D13/108
D886,056	S	*	6/2020	Zhang	.....	D13/108
D889,403	S	*	7/2020	Li	.....	D13/108
D892,046	S	*	8/2020	Peng	.....	D13/108
D893,422	S	*	8/2020	Xiao	.....	D13/108
D896,174	S	*	9/2020	Li	.....	D13/108
D896,816	S	*	9/2020	Qiu	.....	D14/434
D897,953	S	*	10/2020	Chen	.....	D13/108
D900,735	S	*	11/2020	He	.....	D13/108
D900,737	S	*	11/2020	Hsu	.....	D13/108
D902,149	S	*	11/2020	Tu	.....	D13/108
D904,978	S	*	12/2020	Liao	.....	D13/108
D905,042	S	*	12/2020	Lim	.....	D14/253
D907,575	S	*	1/2021	Xu	.....	D13/108
D911,277	S	*	2/2021	Shang	.....	D13/108
D911,278	S	*	2/2021	Shang	.....	D13/108
D911,941	S	*	3/2021	Lee	.....	D13/108
D913,919	S	*	3/2021	Wang	.....	D13/108
D920,237	S	*	5/2021	Huang	.....	D13/108
D920,238	S	*	5/2021	Xiao	.....	D13/108
D920,240	S	*	5/2021	Xiao	.....	D13/108
D920,241	S	*	5/2021	Xiao	.....	D13/108
2020/0185952	A1	*	6/2020	Morrow	.....	H02J 7/0027

\* cited by examiner

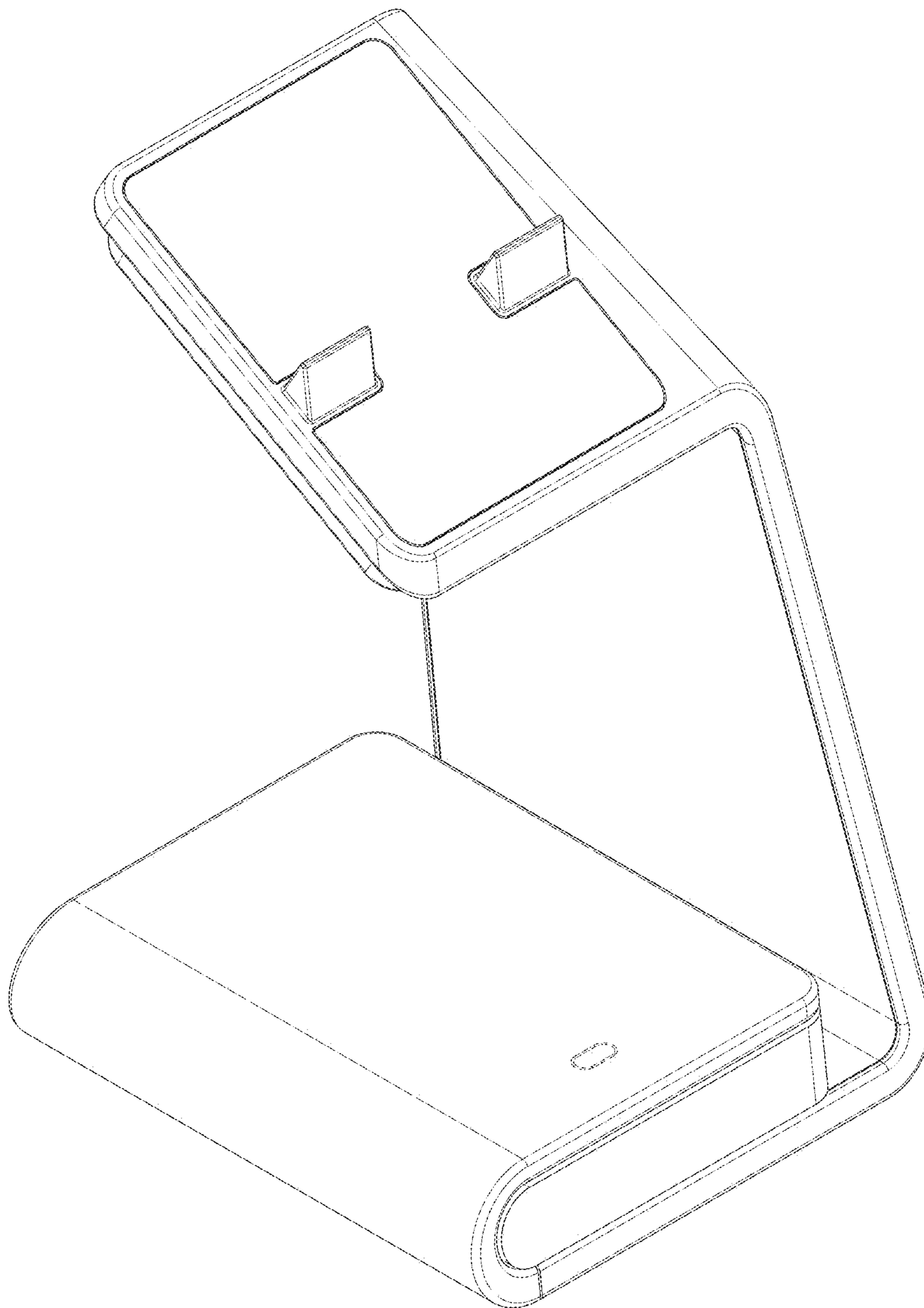


FIG. 1

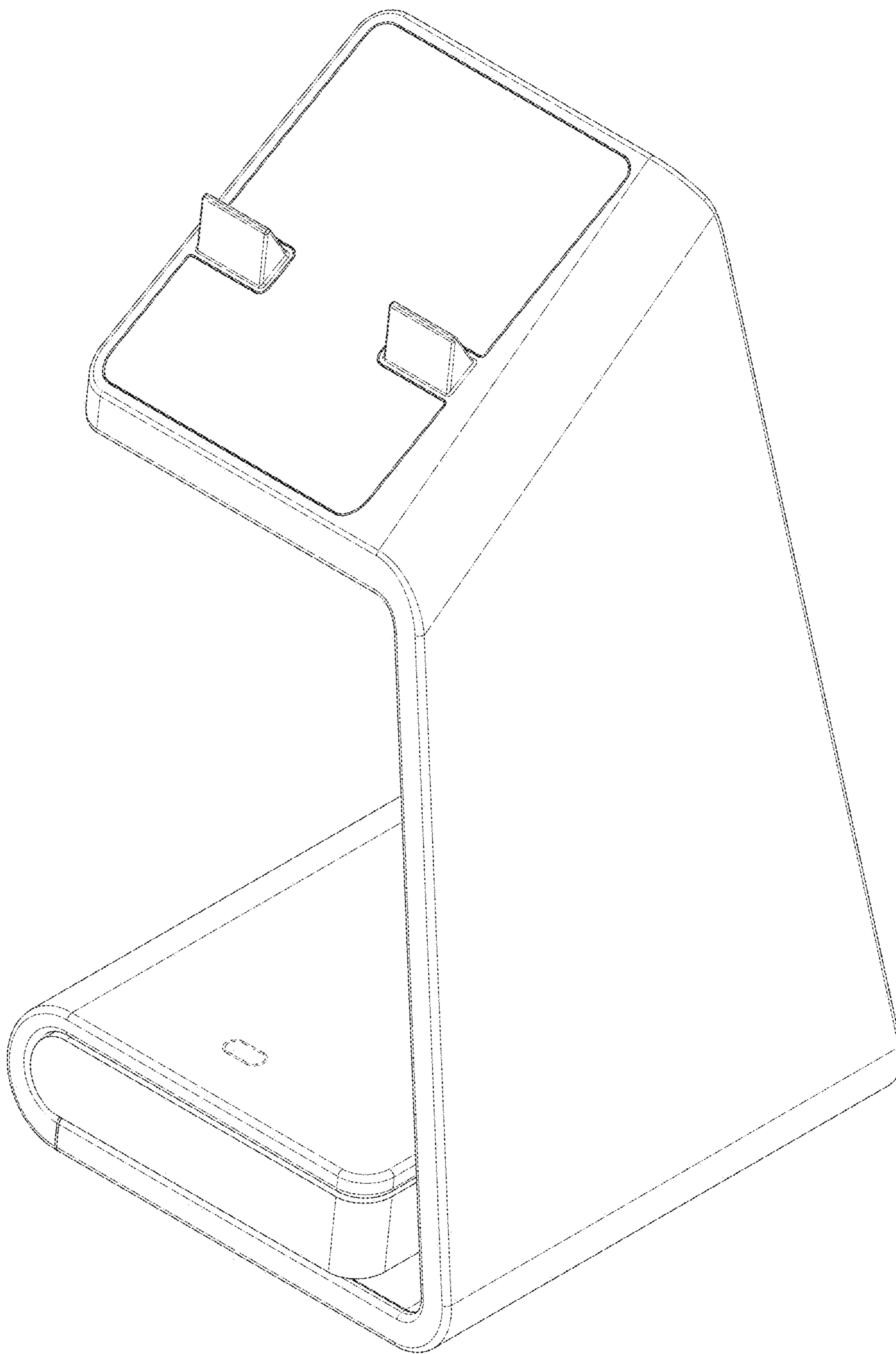


FIG. 2

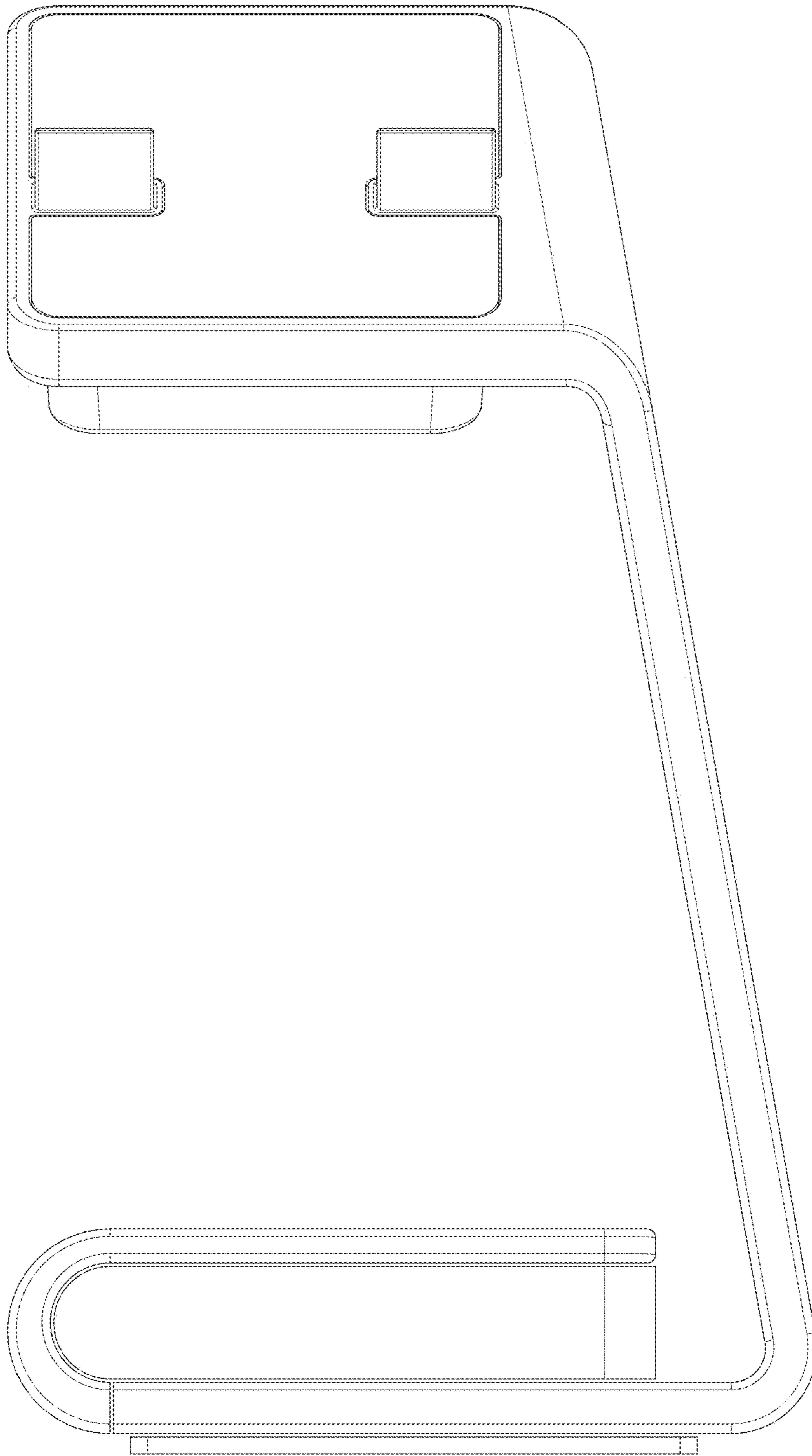


FIG. 3

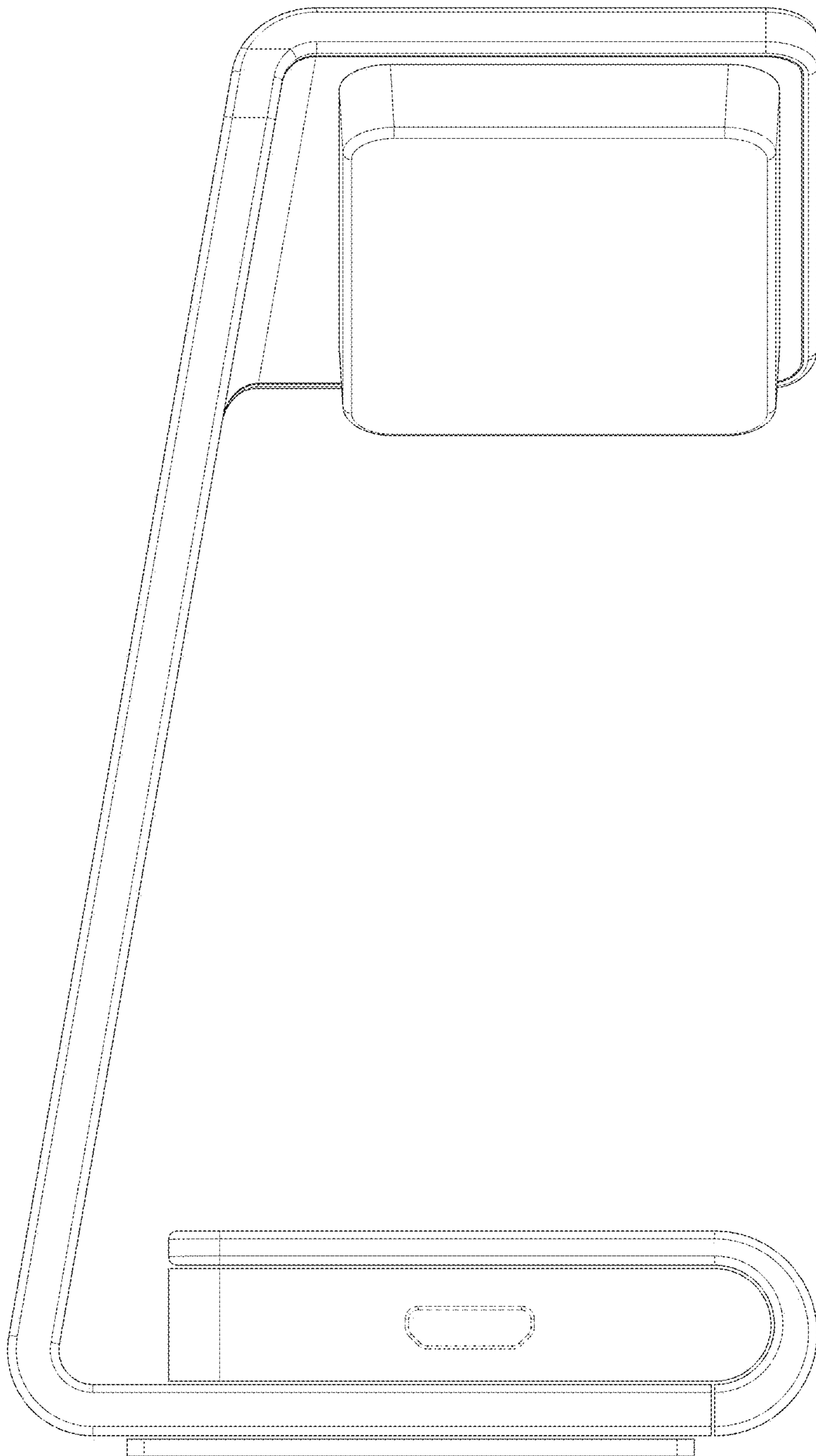


FIG. 4

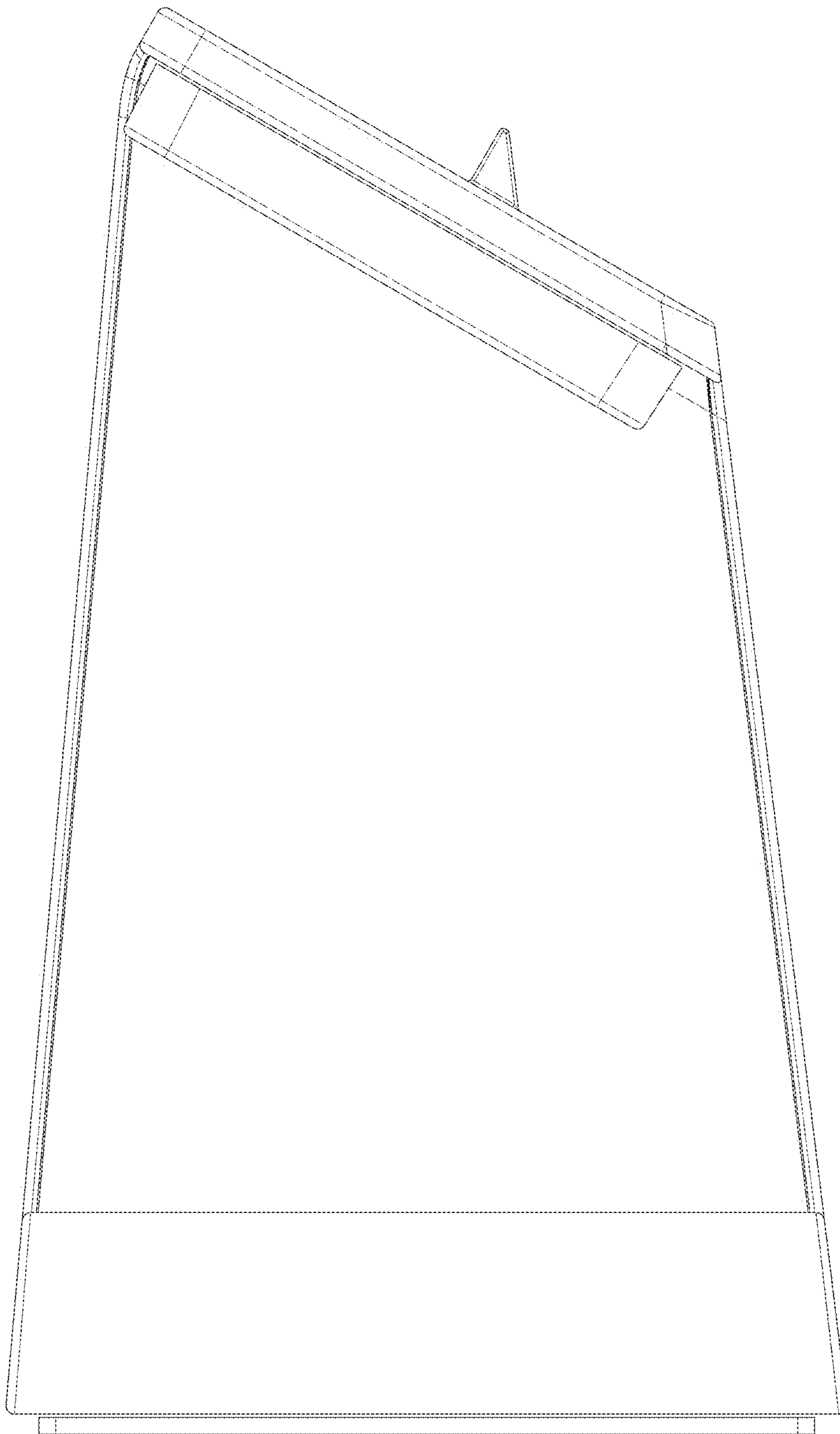


FIG. 5

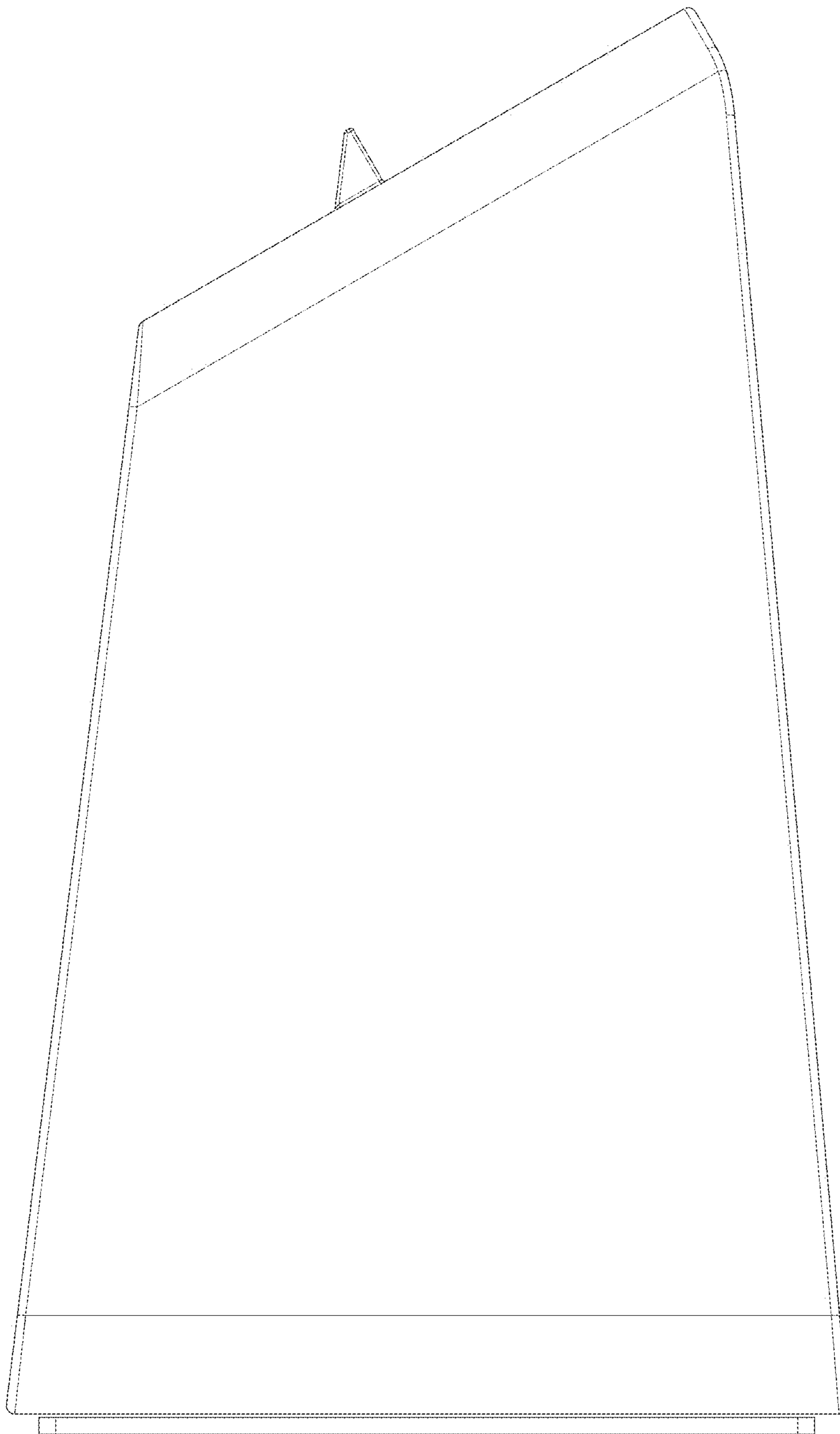


FIG. 6



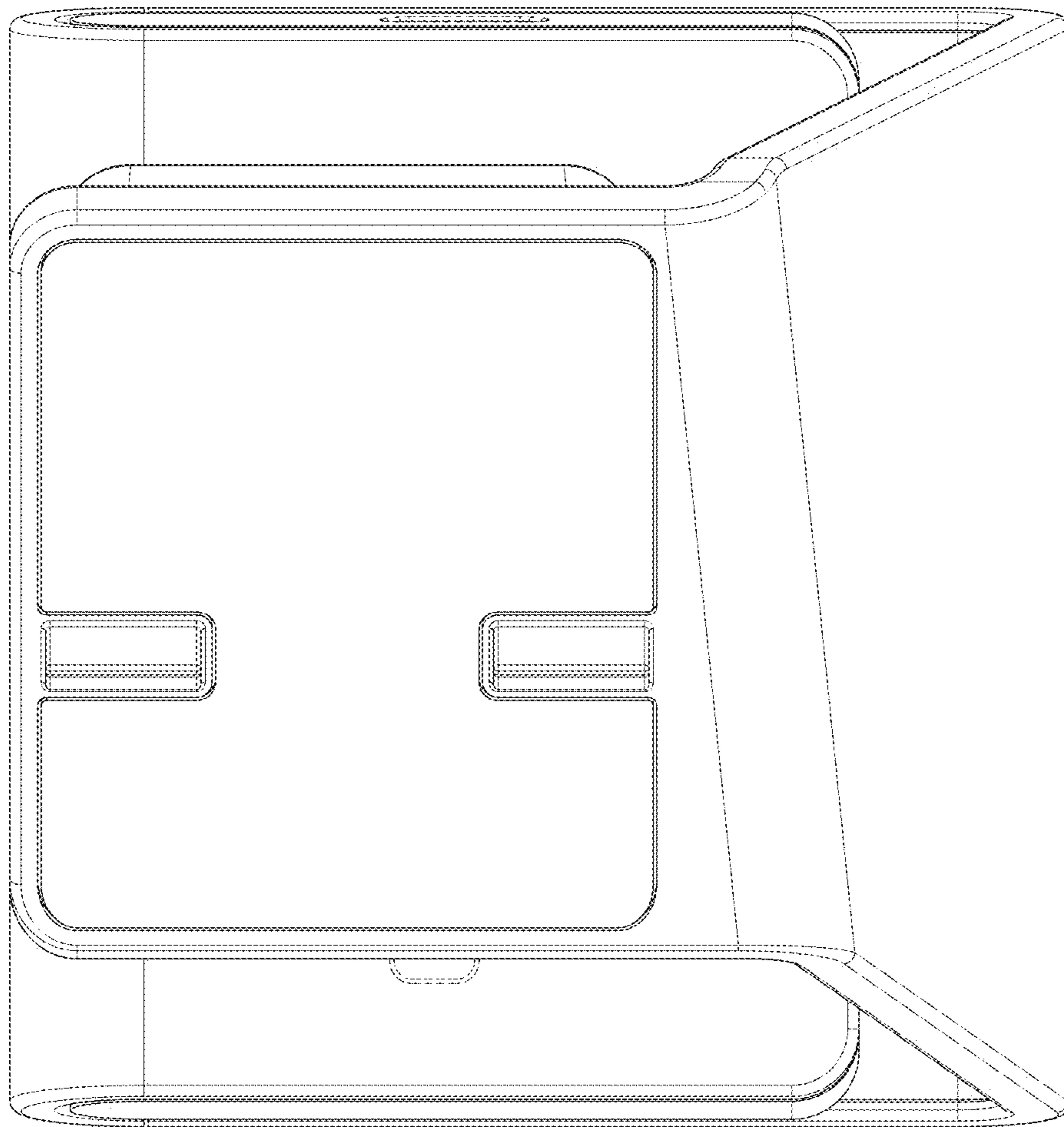


FIG. 7

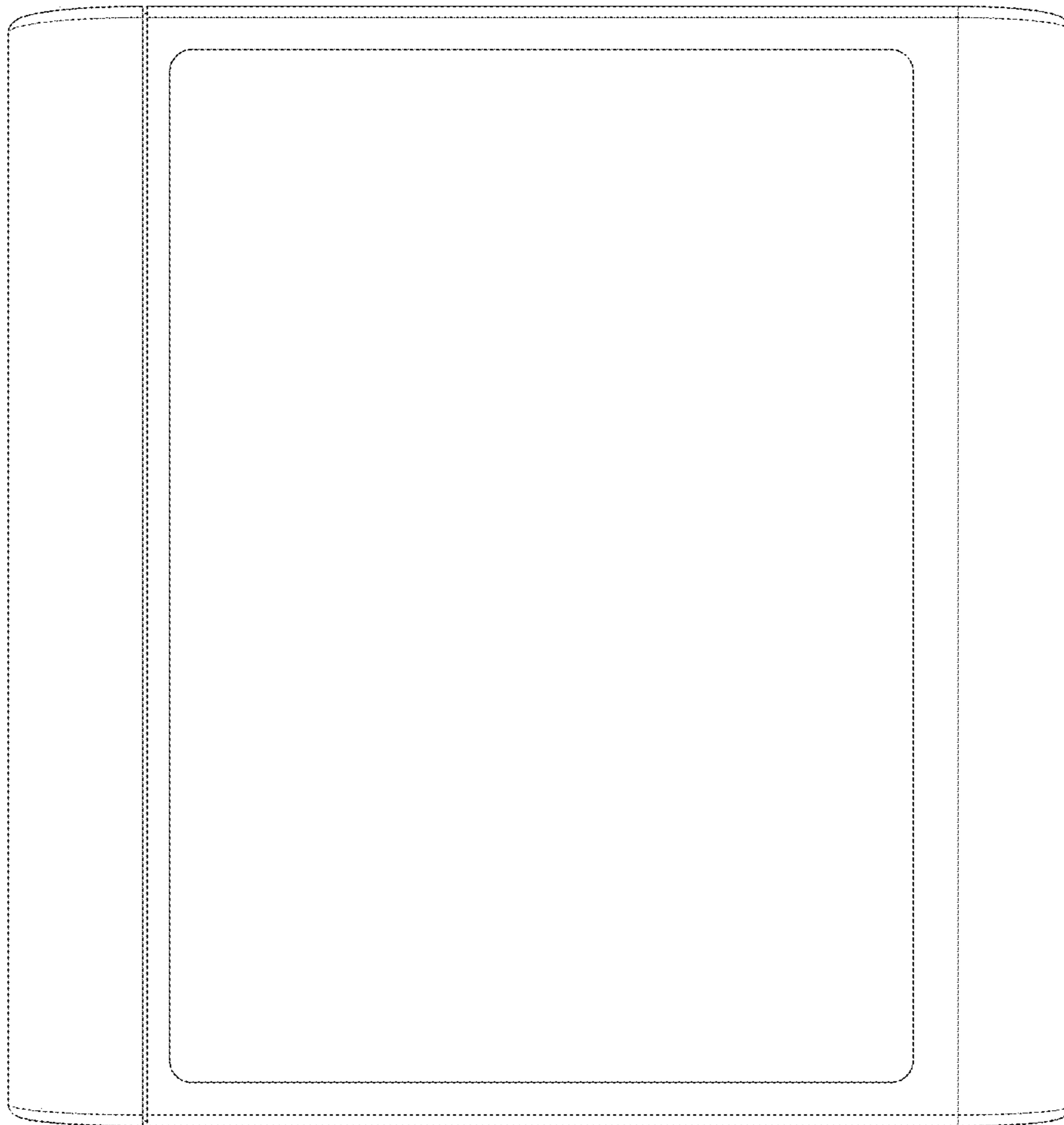


FIG. 8

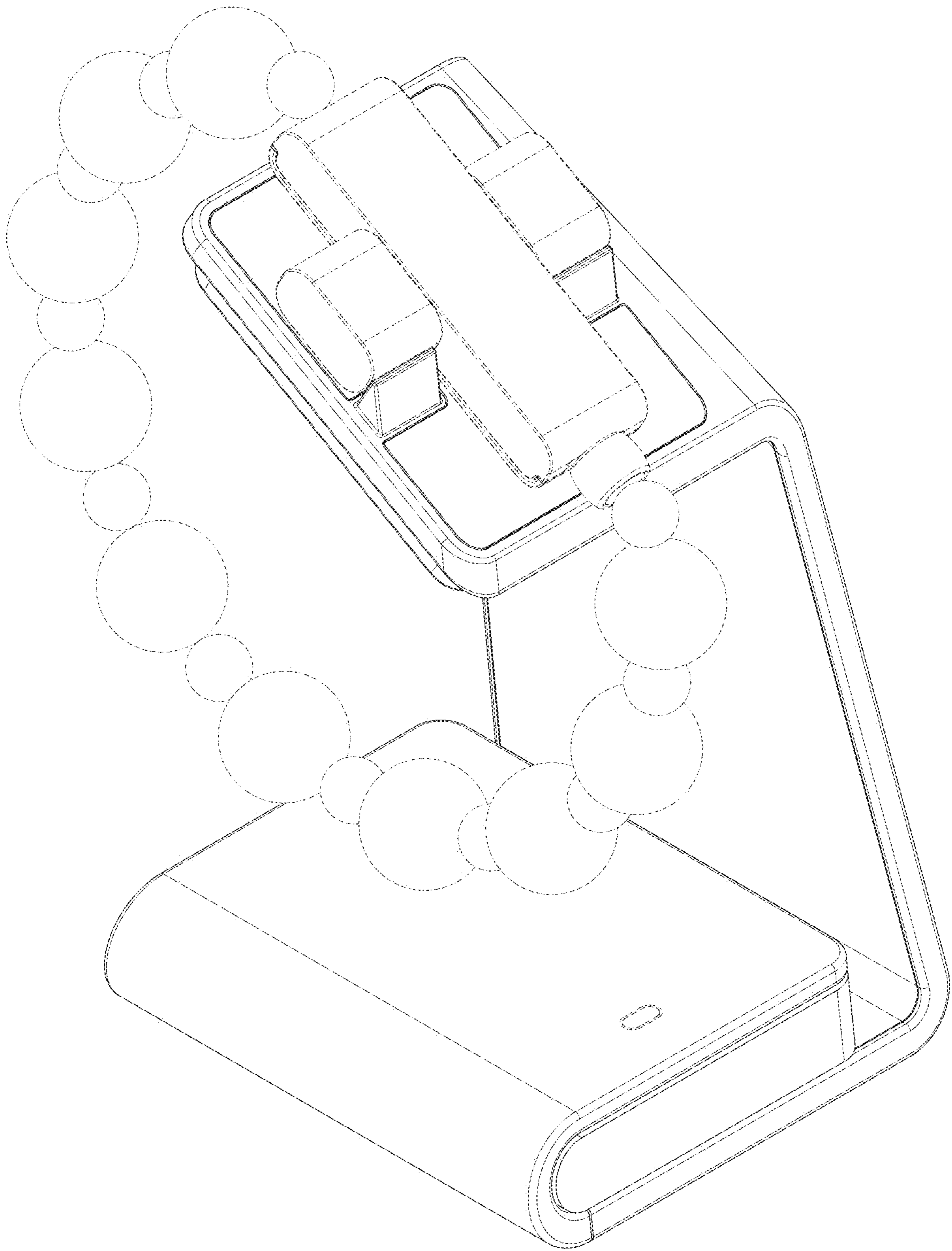


FIG. 9