



US00D935396S

(12) **United States Design Patent** (10) **Patent No.:** **US D935,396 S**
Liao (45) **Date of Patent:** **** Nov. 9, 2021**

(54) **USB ADAPTER**

(71) Applicant: **Guangdong Gopod Group Holding Co., Ltd., Shenzhen (CN)**

(72) Inventor: **Zhuowen Liao, Shenzhen (CN)**

(73) Assignee: **Guangdong Gopod Group Holding Co., Ltd., Shenzhen (CN)**

(**) Term: **15 Years**

(21) Appl. No.: **29/719,442**

(22) Filed: **Jan. 3, 2020**

(30) **Foreign Application Priority Data**

Oct. 30, 2019 (CN) 201930595409.6

(51) **LOC (13) Cl.** **13-02**

(52) **U.S. Cl.**
USPC **D13/108; D14/433**

(58) **Field of Classification Search**
USPC D13/103, 107, 108, 110, 118, 119, 133,
D13/144, 146, 153, 154, 156, 183;
D14/432, 433, 434, 435.1, 439, 480.1,
D14/408.5, 480.6, 480.7; D27/183, 193,
D27/194

CPC H01R 12/592; H01R 13/62; H01R 13/46
See application file for complete search history.

(56) **References Cited**

U.S. PATENT DOCUMENTS

D559,183 S * 1/2008 Victor D13/133
D616,037 S * 5/2010 Navid D21/333
D621,831 S * 8/2010 Whitcomb D14/435.1
D624,548 S * 9/2010 Yamamoto D14/433
D648,726 S * 11/2011 Behar D14/435.1
D737,201 S * 8/2015 Liu D13/108
D765,082 S * 8/2016 Allen, Sr. D14/433
D781,867 S * 3/2017 Aulert D14/480.1

D836,834 S * 12/2018 Cividi D27/194
D864,121 S * 10/2019 Liu D13/153
2001/0019254 A1* 9/2001 Lavender H02J 7/0042
320/107
2011/0199729 A1* 8/2011 Hsieh H01R 13/193
361/679.33
2015/0280373 A1* 10/2015 Furukawa H01R 24/44
439/578

OTHER PUBLICATIONS

“Android Mini OTG Cable USB”. Found online Feb. 26, 2021
dhgate.com. Reference dated Aug. 31, 2017. Retrieved from https://tineye.com/search/42665e6c788c3cd85a15f3287107ab6205b343fe?sort=crawl_date&order=asc&page=1. (Year: 2017).*

(Continued)

Primary Examiner — Kendra Leslie Hamilton

Assistant Examiner — Amanda Christensen

(74) *Attorney, Agent, or Firm* — Wolf, Greenfield & Sacks, P.C.

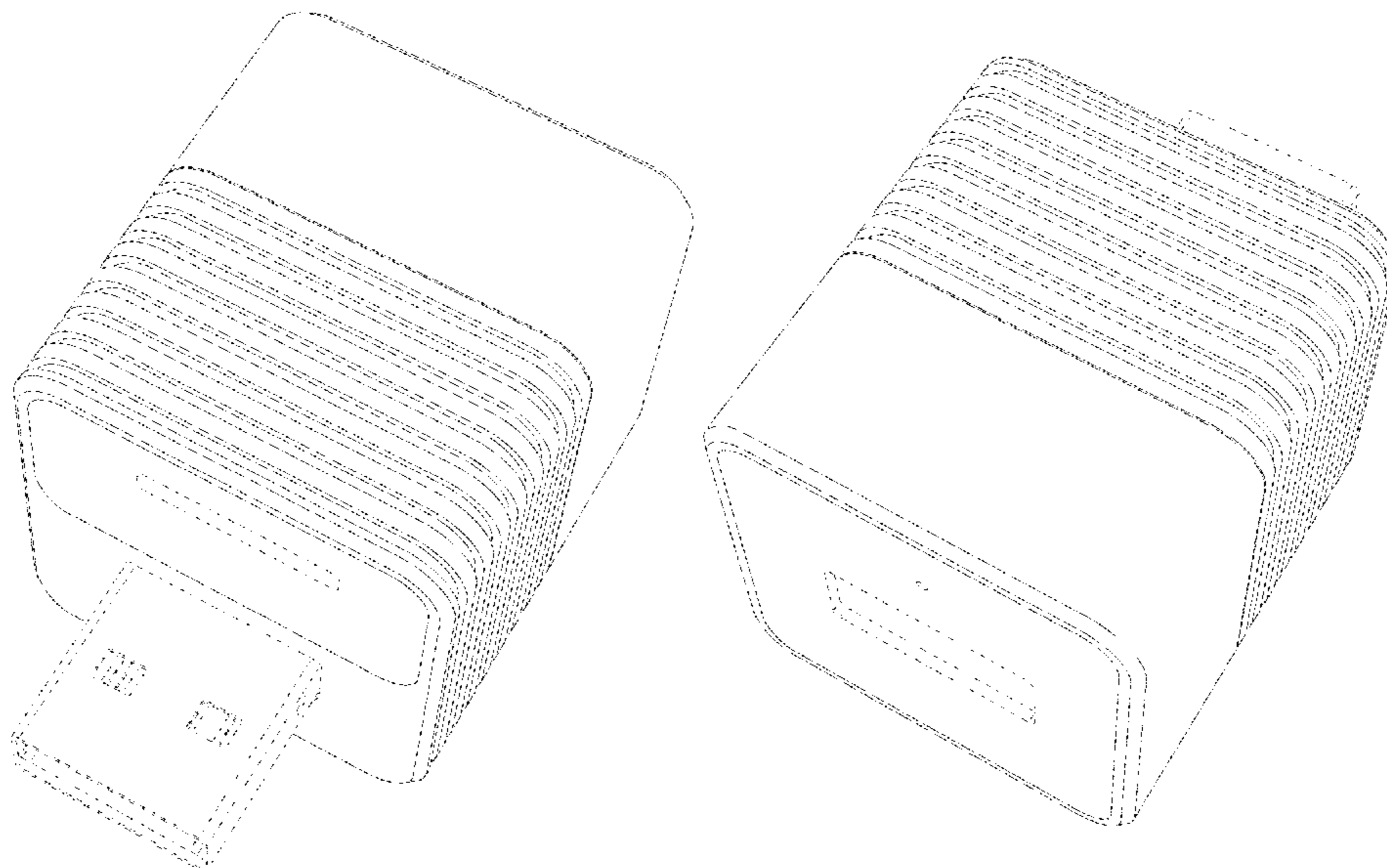
(57) **CLAIM**

The ornamental design for a USB adapter, as shown and described.

DESCRIPTION

FIG. 1 is a top, front, left side perspective view of a USB adapter;
FIG. 2 is a bottom, rear, right side perspective view thereof;
FIG. 3 is a front elevation view thereof;
FIG. 4 is a rear elevation view thereof;
FIG. 5 is a left side elevation view thereof;
FIG. 6 is a right side elevation view thereof;
FIG. 7 is a top plan view thereof; and,
FIG. 8 is a bottom plan view thereof.
The dashed lines in the figures depict portions of the USB adapter that form no part of the claimed design.

1 Claim, 8 Drawing Sheets



(56)

References Cited

OTHER PUBLICATIONS

“Samsung adapter USB”. Found online Feb. 26, 2021 fr.shopping.rakuten.com. Reference dated Nov. 26, 2017. Retrieved from <https://fr.shopping.rakuten.com/offer/buy/1337207526/samsung-adaptateur-usb-otg-pour-galaxy-s7-et-s7-edge.html>. (Year: 2017).*

“USB-C to Mini USB 2.0 Type-B Adaptor”. Found online Feb. 26, 2021 4xem.com. Reference dated Jan. 31, 2018. Retrieved from https://tineye.com/search/209bd245610614b1b4f8769d05426b7a7f2441f0?sort=crawl_date&order=asc&page=1.(Year: 2018).*

* cited by examiner

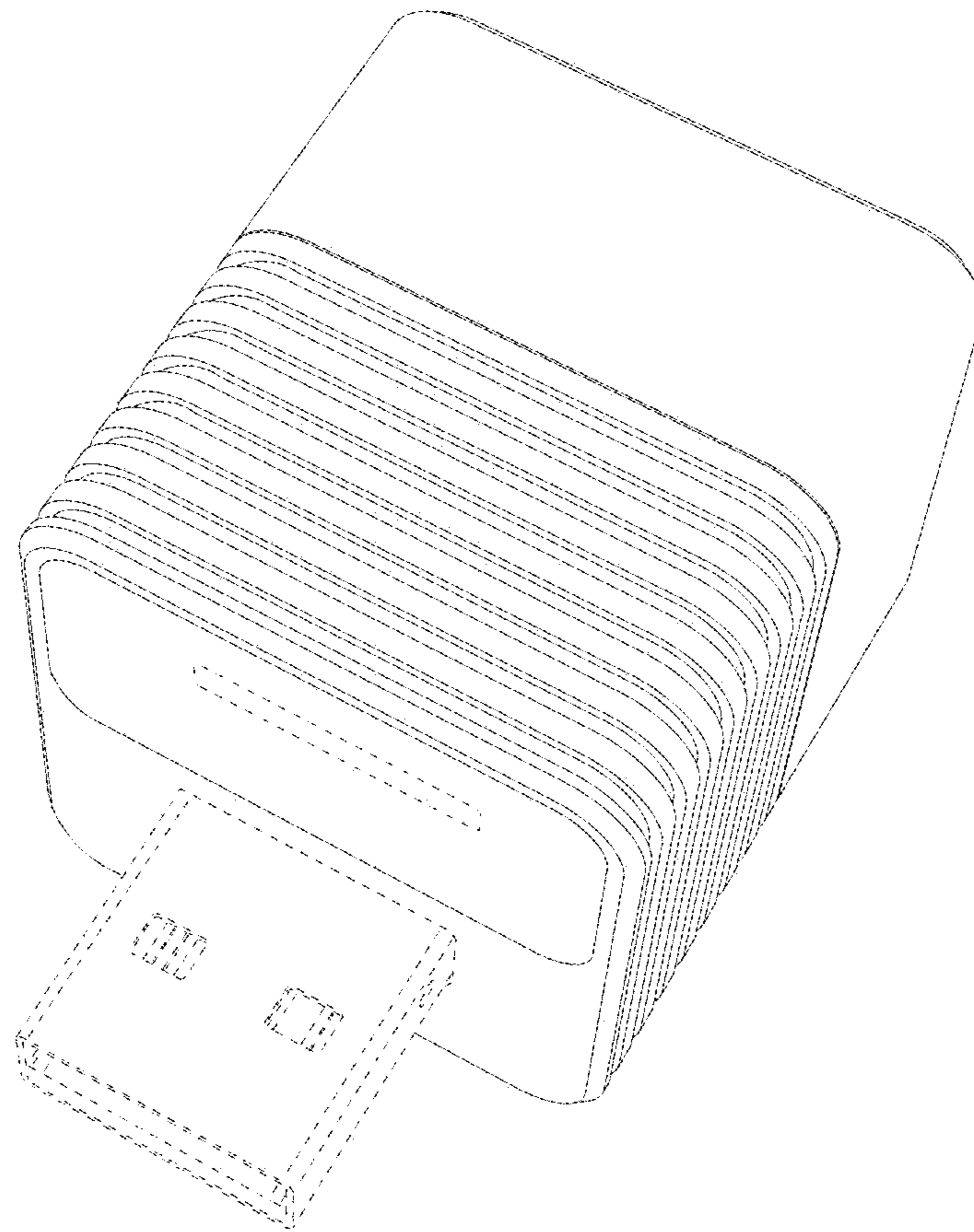


FIG. 1

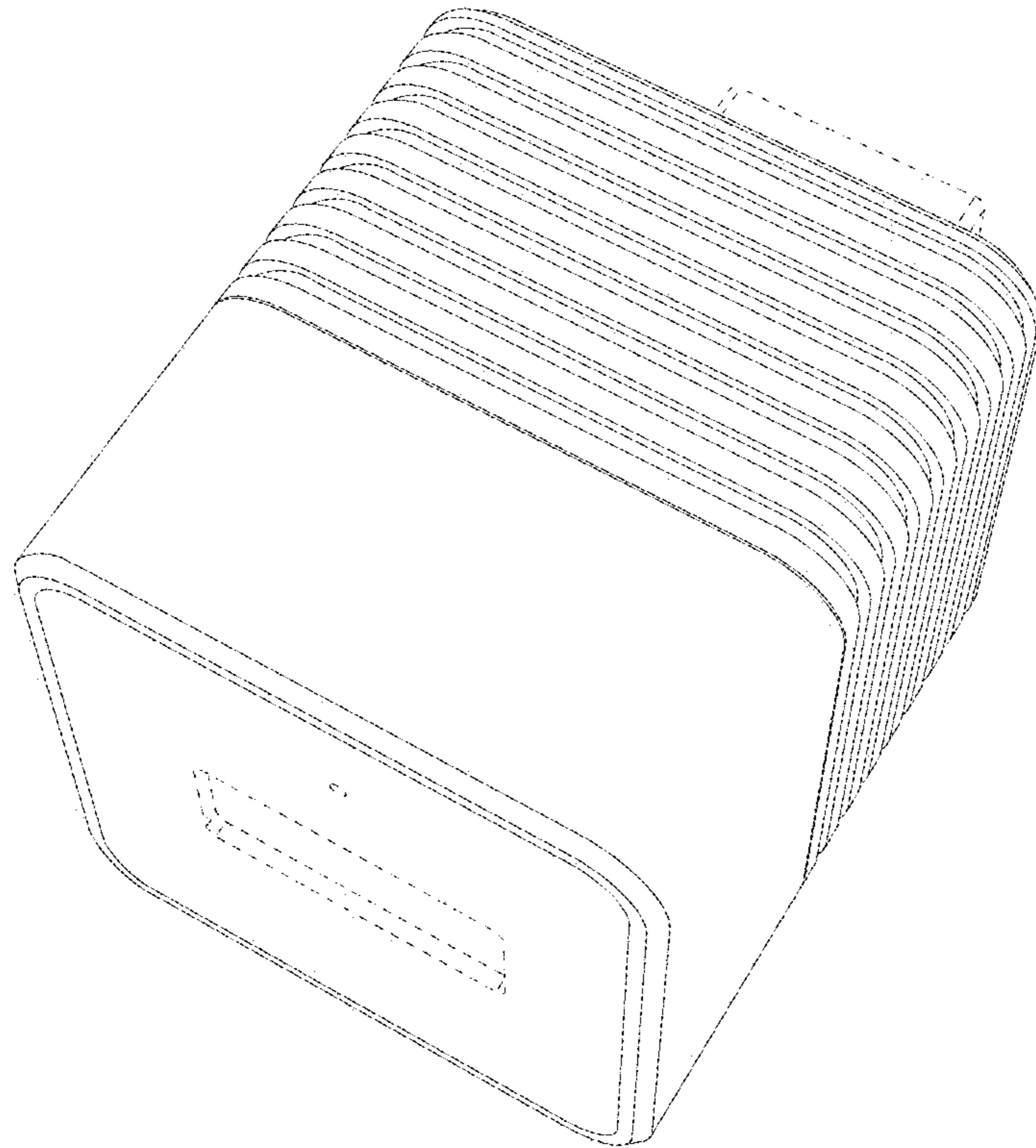


FIG. 2

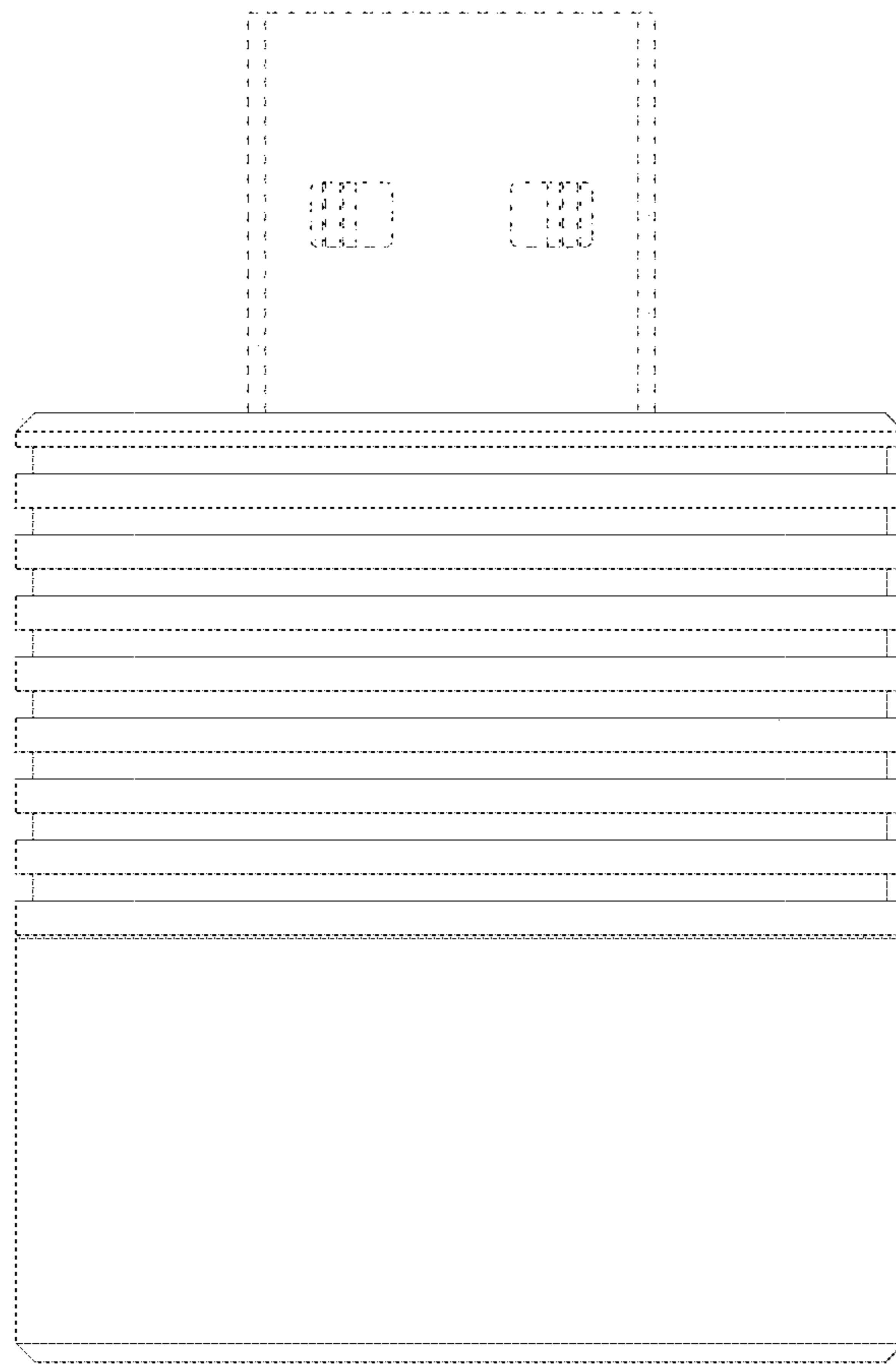


FIG. 3

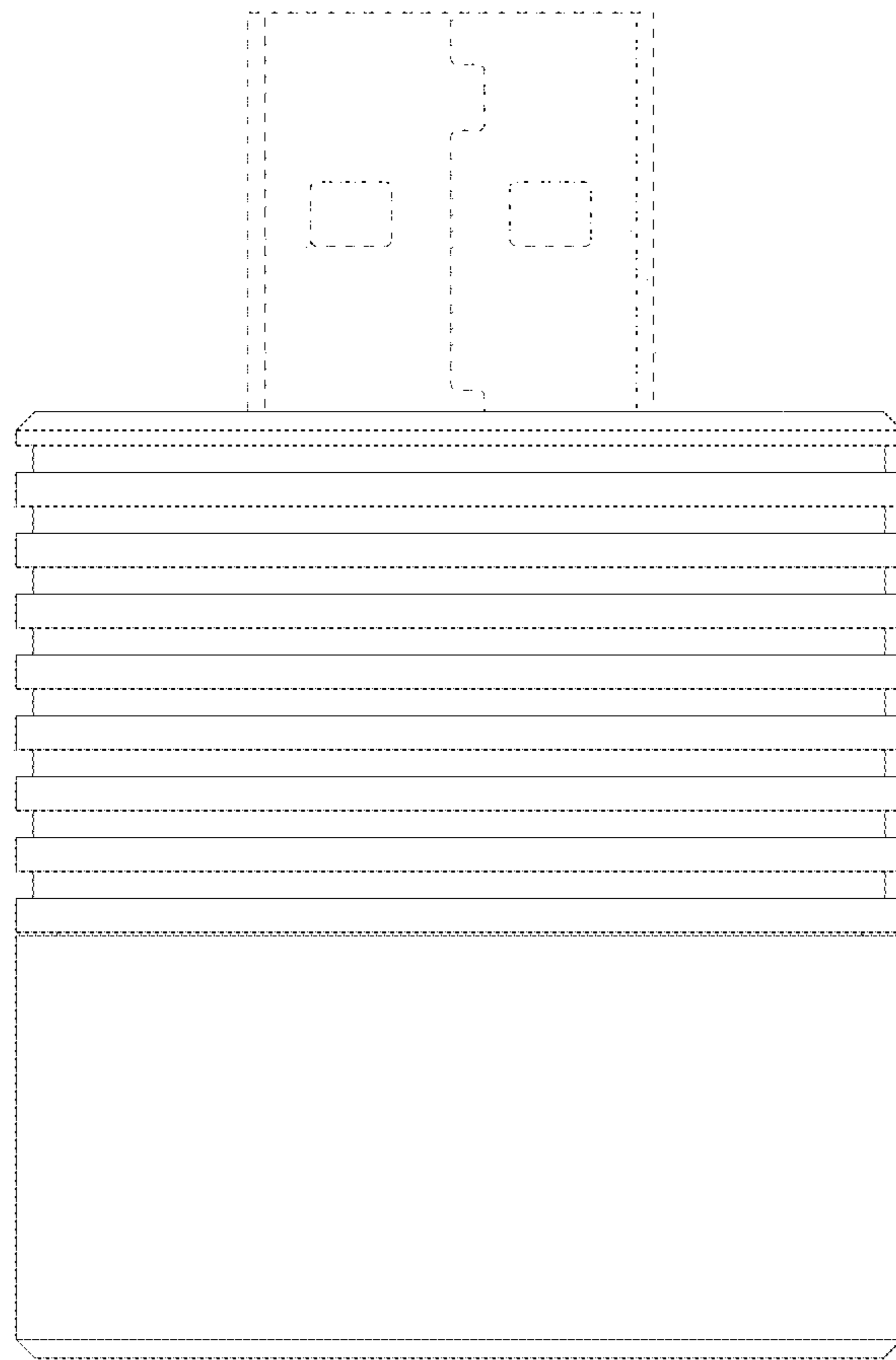


FIG. 4

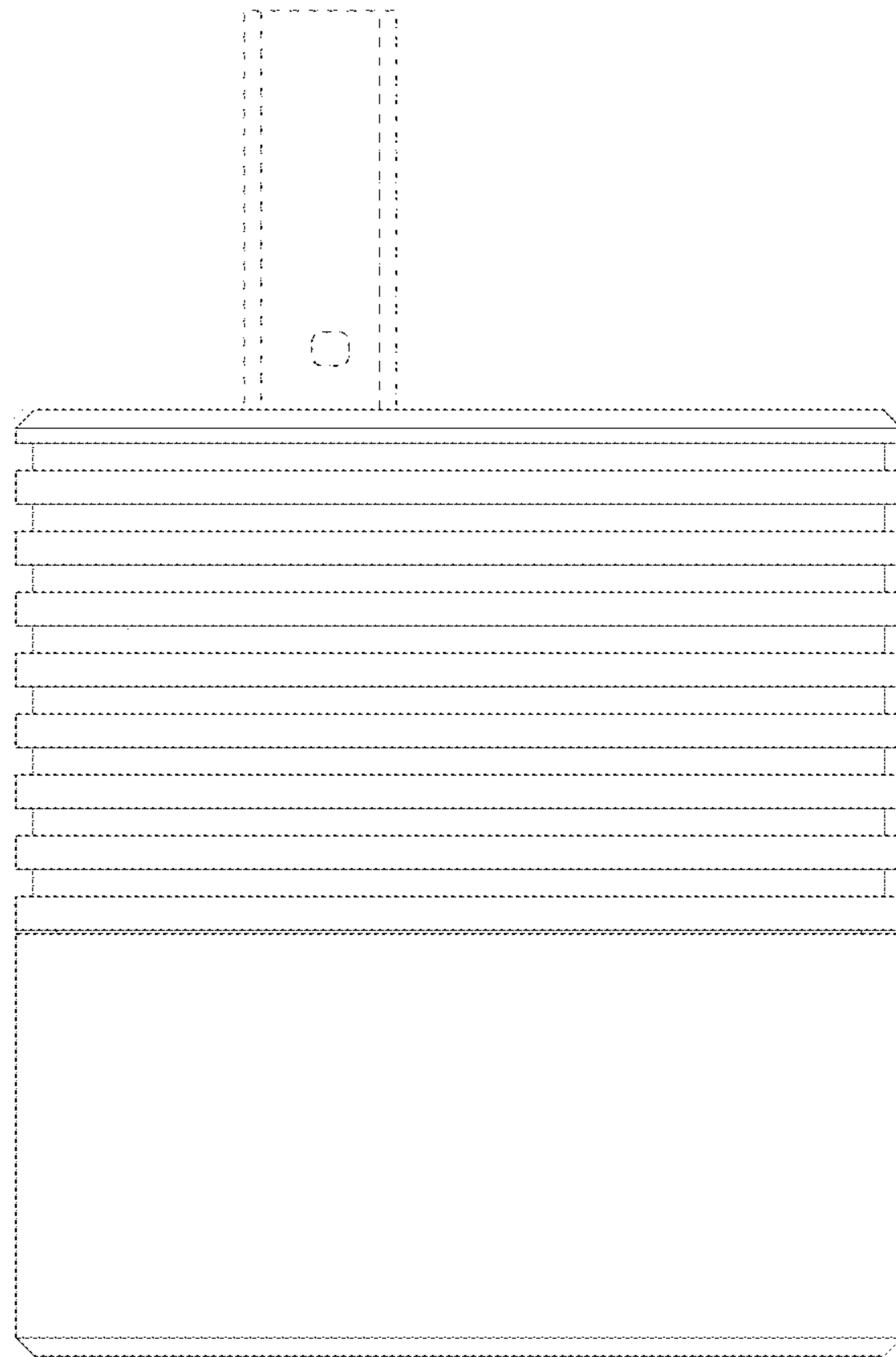


FIG. 5

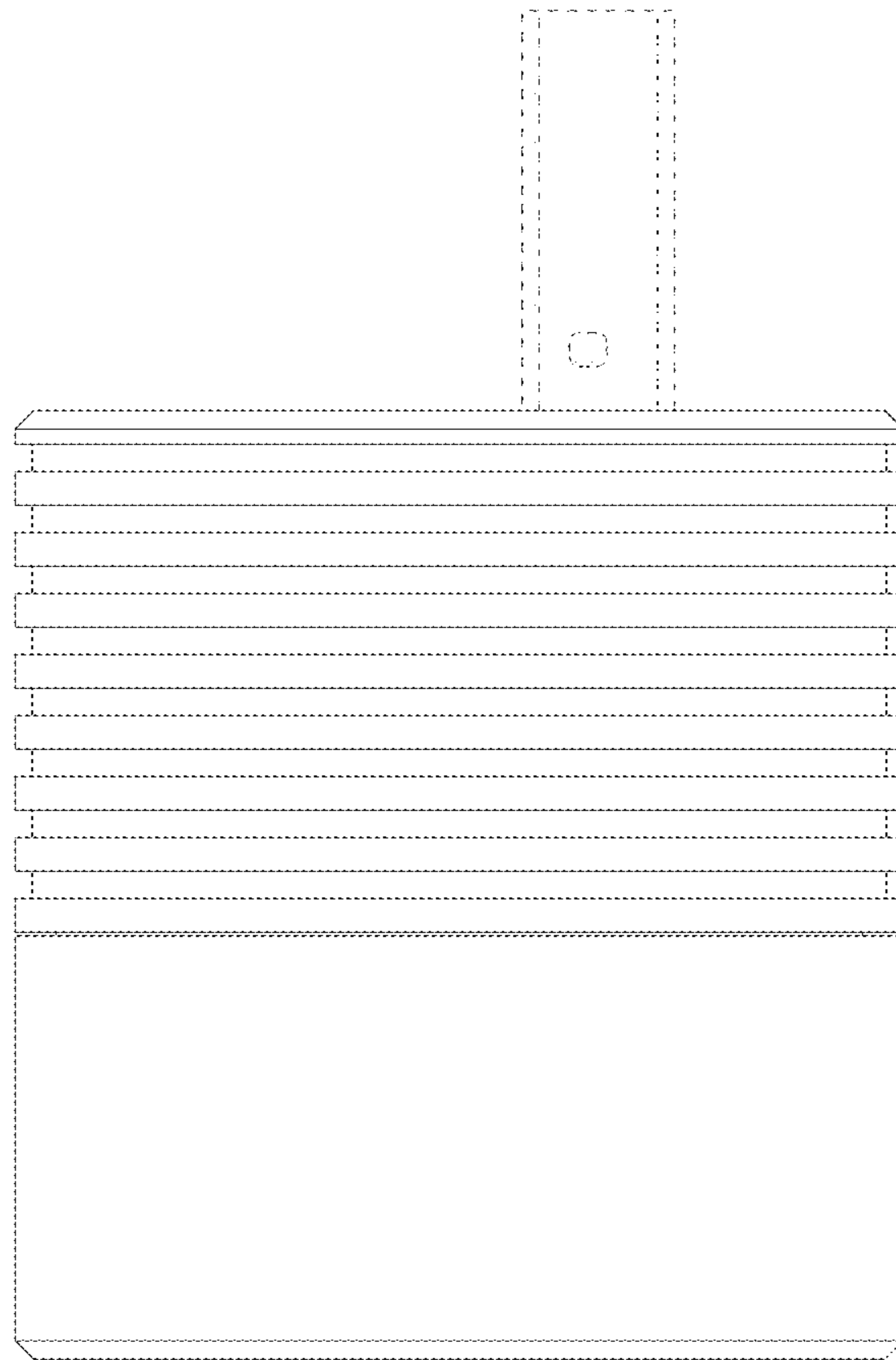


FIG. 6

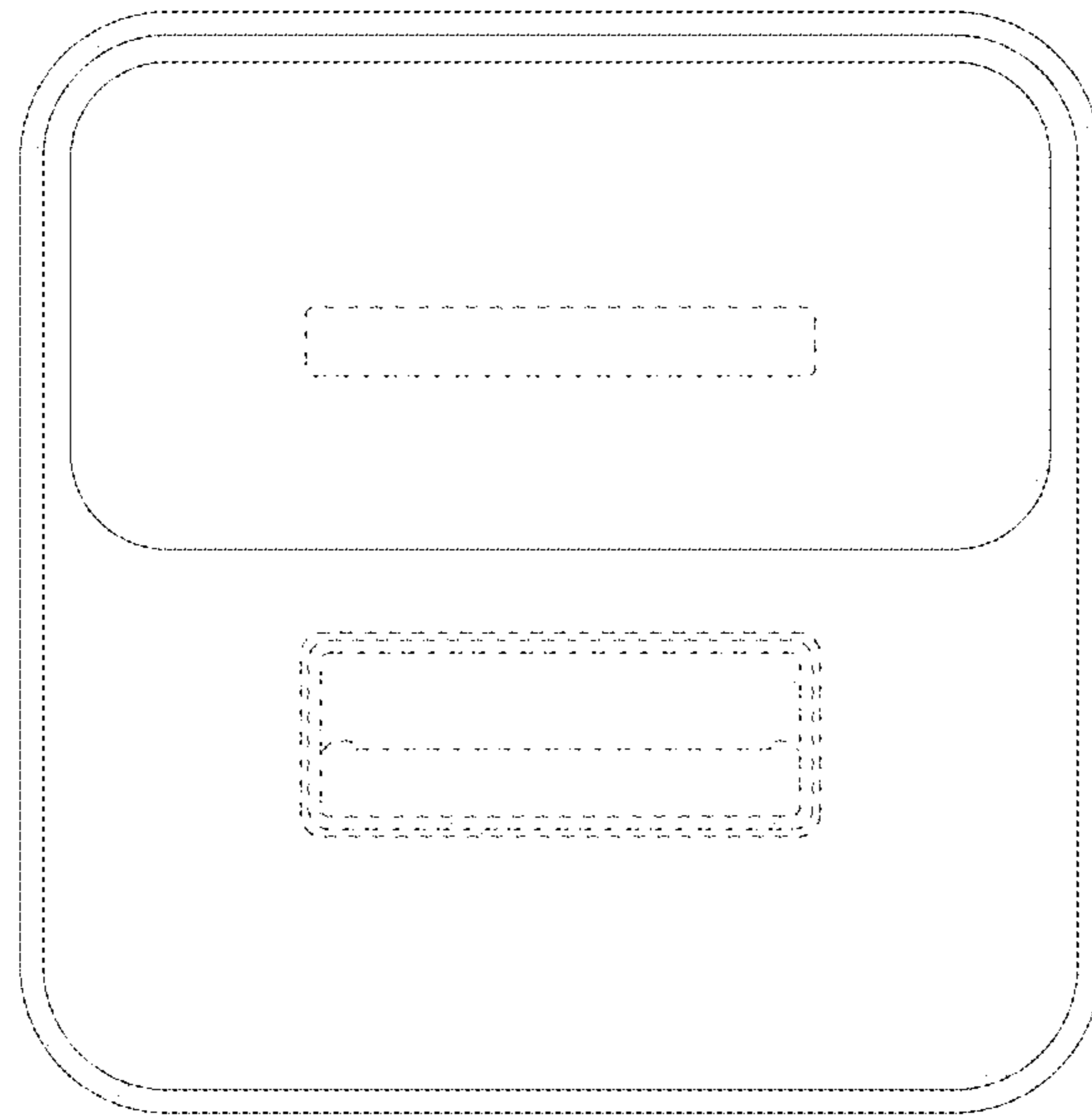


FIG. 7

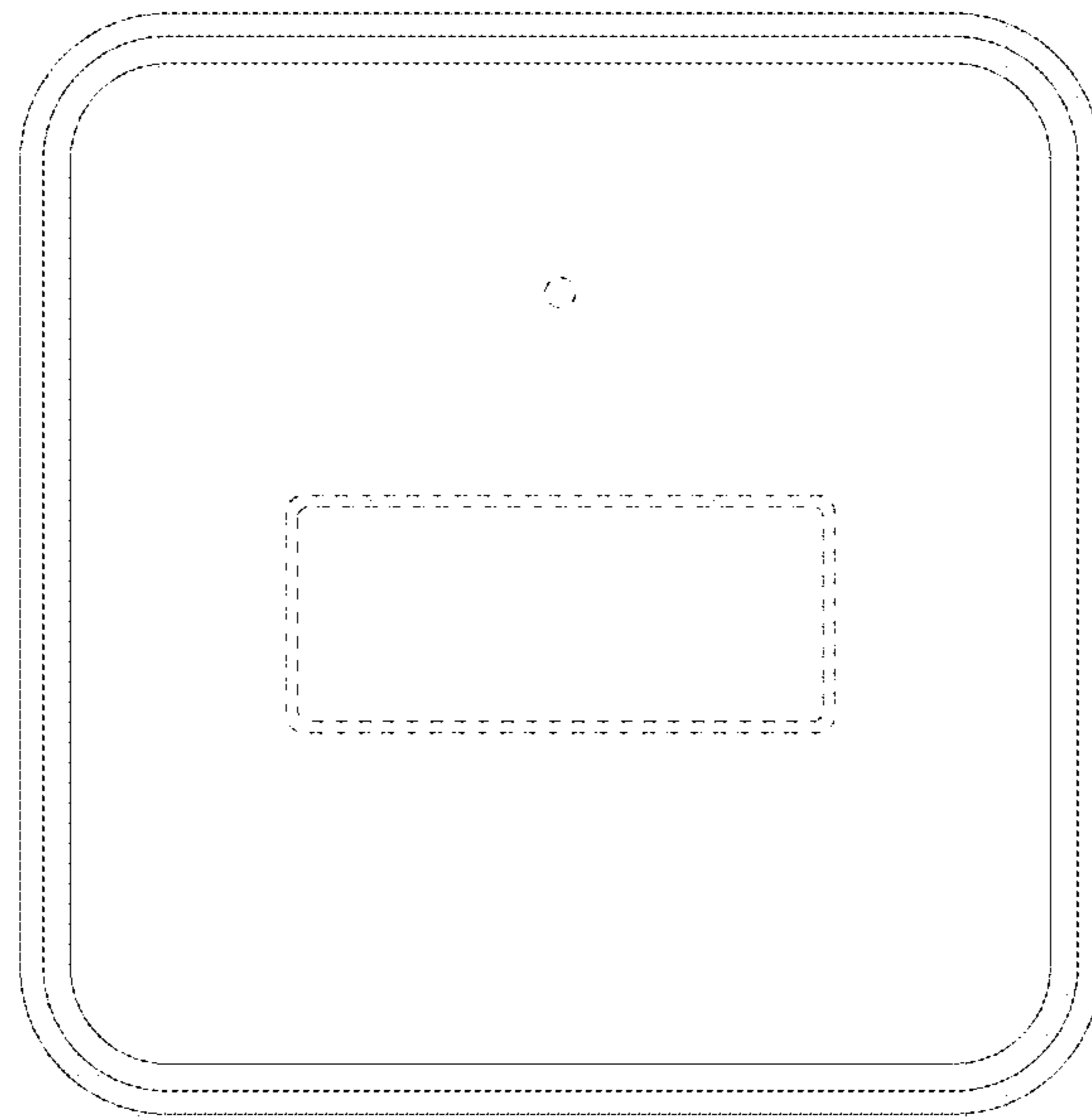


FIG. 8