



US00D935395S

(12) **United States Design Patent**  
**Chen et al.**

(10) **Patent No.:** **US D935,395 S**

(45) **Date of Patent:** **\*\* Nov. 9, 2021**

(54) **CHARGER**

(71) Applicant: **SHENZHEN RELX TECHNOLOGY CO., LTD.**, Shenzhen (CN)

(72) Inventors: **Chen Chen**, Shenzhen (CN); **Shengren Wang**, Shenzhen (CN); **Jiaqi Fu**, Shenzhen (CN)

(73) Assignee: **SHENZHEN RELX TECHNOLOGY CO., LTD.**, Shenzhen (CN)

(\*\*) Term: **15 Years**

(21) Appl. No.: **29/713,586**

(22) Filed: **Nov. 18, 2019**

(30) **Foreign Application Priority Data**

Aug. 1, 2019 (CN) ..... 201930416000.3

(51) **LOC (13) Cl.** ..... **13-02**

(52) **U.S. Cl.**  
USPC ..... **D13/108**

(58) **Field of Classification Search**  
USPC ..... D13/103, 107, 108, 110, 118, 119, 133, D13/144, 146, 153, 154, 156; D14/432, D14/433, 434, 435.1, 439, 480.1, 408.5, D14/480.6, 480.7; D27/183, 193, 194  
CPC ..... H01R 12/592; H01R 13/62; H01R 13/46  
See application file for complete search history.

(56) **References Cited**

**U.S. PATENT DOCUMENTS**

D569,848 S *	5/2008	Suzuki	.....	D14/188
D600,640 S *	9/2009	Stein	.....	D13/103
D601,955 S *	10/2009	Ekmekdje	.....	D13/102
D751,985 S *	3/2016	Curry	.....	D13/103
D759,003 S *	6/2016	Daniel	.....	D14/240
D770,382 S *	11/2016	Coty	.....	D13/108
D797,751 S *	9/2017	Houston	.....	D14/453

D816,026 S *	4/2018	Georgiades	.....	D13/108
D821,972 S *	7/2018	Wei	.....	D13/108
D904,299 S *	12/2020	Liao	.....	D13/110

(Continued)

**OTHER PUBLICATIONS**

“Relx Charger Power Bank”. Found online Mar. 18, 2021 shopee.ph. Reference dated Aug. 17, 2020. Retrieved from <https://shopee.ph/Relx-Relx-Relx-Generation-Official-Original-Charger-Power-Bank-i.173795528.4530518045>. (Year: 2020).\*

(Continued)

*Primary Examiner* — Kendra Leslie Hamilton

*Assistant Examiner* — Amanda Christensen

(74) *Attorney, Agent, or Firm* — Idea Intellectual Limited; Margaret A. Burke; Sam T. Yip

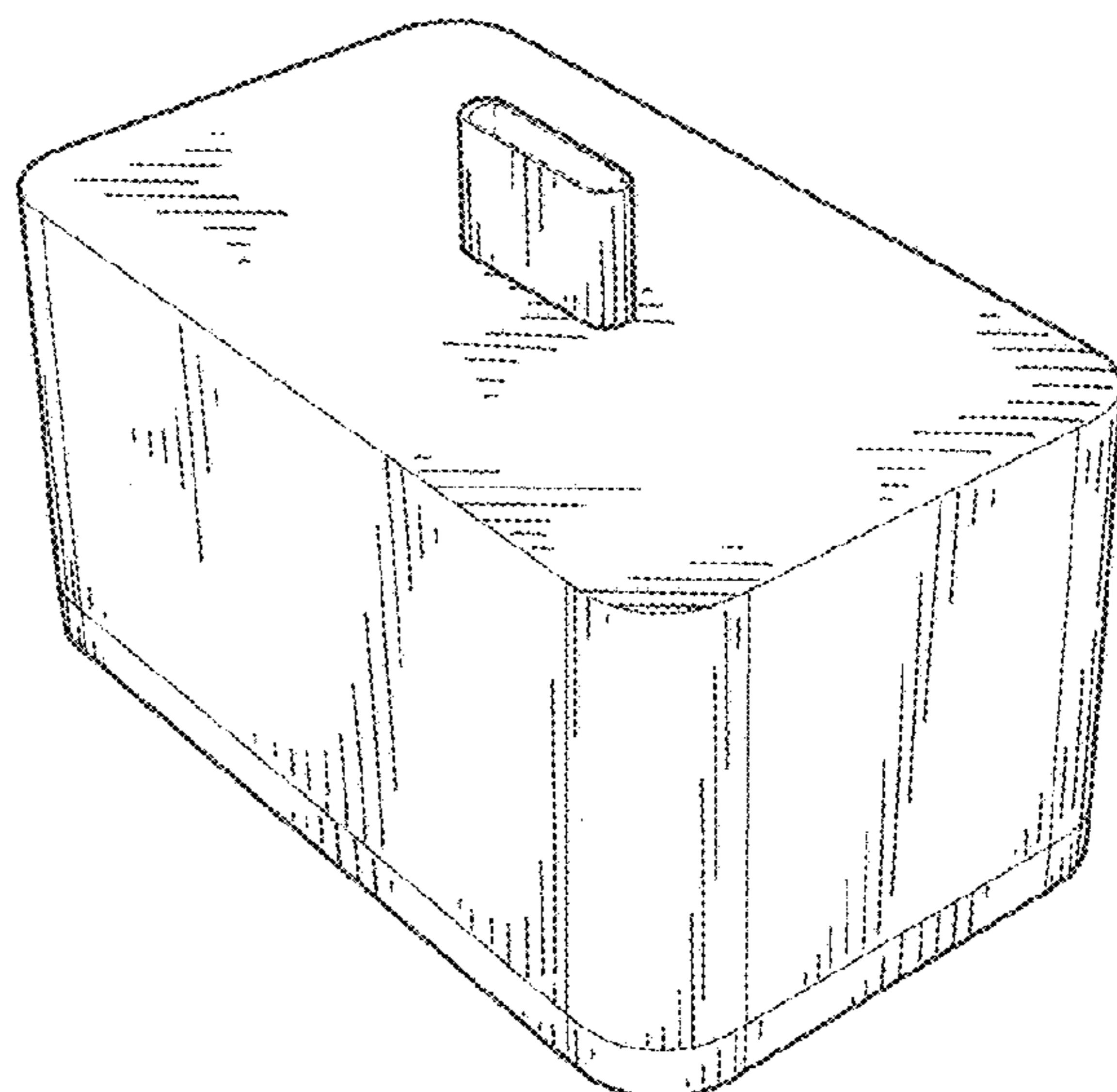
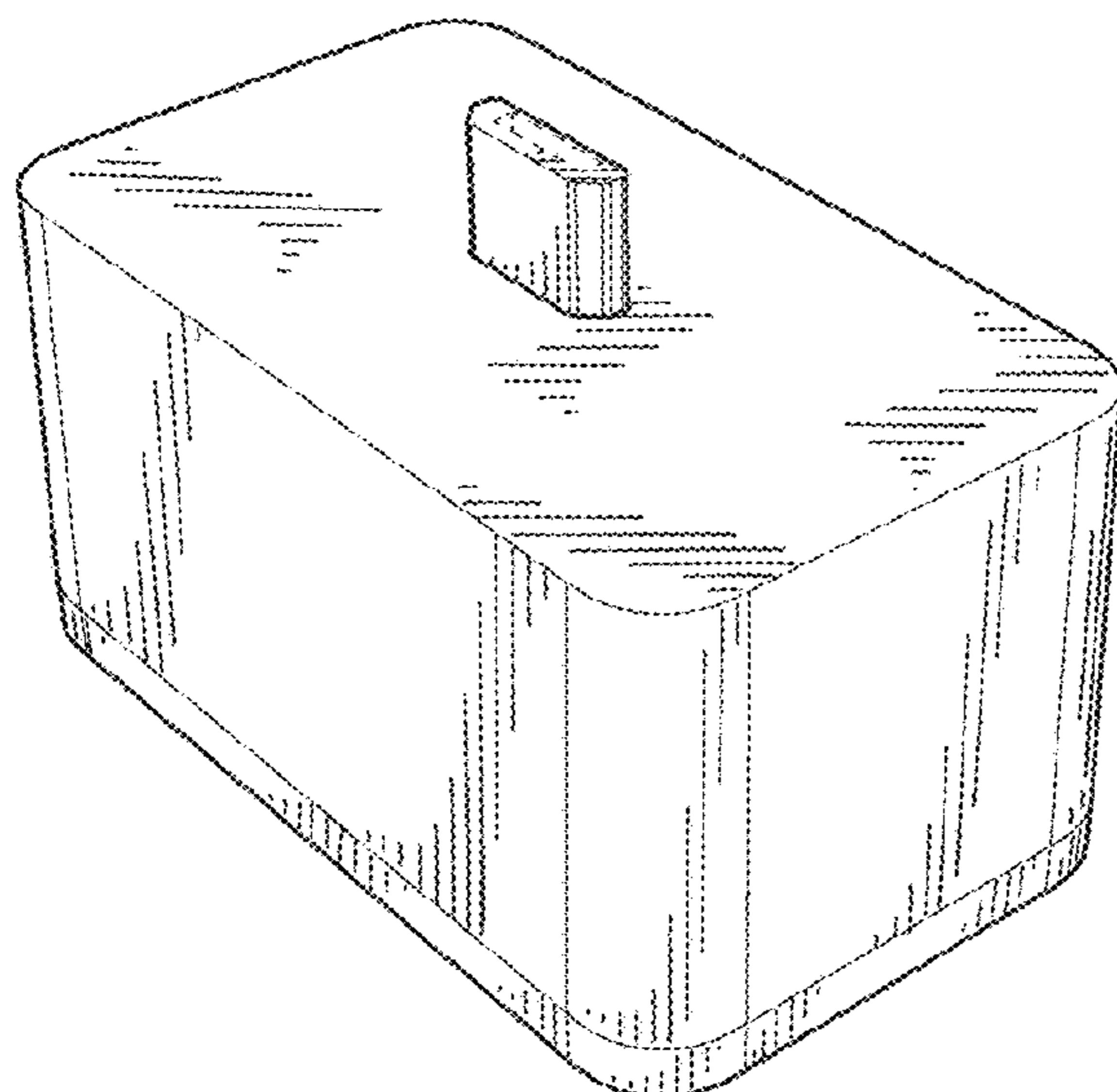
(57) **CLAIM**

The ornamental design for a charger, as shown and described.

**DESCRIPTION**

FIG. 1 is a top, front perspective view of a first embodiment of a charger, showing our new design; FIG. 2 is a front elevation view thereof; FIG. 3 is a rear elevation view thereof; FIG. 4 is a left side elevation view thereof; FIG. 5 is a right side elevation view thereof; FIG. 6 is a top plan view thereof; FIG. 7 is a bottom plan view thereof; FIG. 8 is a top, front perspective view of a second embodiment of the charger; FIG. 9 is a front elevation view thereof; FIG. 10 is a rear elevation view thereof; FIG. 11 is a left side elevation view thereof; FIG. 12 is a right side elevation view thereof; FIG. 13 is a top plan view thereof; and, FIG. 14 is a bottom plan view thereof. The broken lines in the drawings depict portions of the charger that form no part of the claimed design.

**1 Claim, 8 Drawing Sheets**



(56)

**References Cited**

U.S. PATENT DOCUMENTS

2012/0187902 A1\* 7/2012 Wang ..... H02J 7/00  
320/107  
2012/0262109 A1\* 10/2012 Toya ..... H01M 10/44  
320/108  
2018/0034295 A1\* 2/2018 Massar ..... H04M 1/0274

OTHER PUBLICATIONS

“Recycle Recharge Battery”. Found online Mar. 9, 2021 mytreechina.com. Reference dated Jul. 30, 2019. Retrieved from [https://tineye.com/search/e8994b493123ba1b737dabb6017892eddd772d6c?sort=crawl\\_date&order=asc&page=1](https://tineye.com/search/e8994b493123ba1b737dabb6017892eddd772d6c?sort=crawl_date&order=asc&page=1) (Year: 2019).\*

“Fast Charger Power Bank”. Found online Feb. 26, 2021 amazon.com. Reference dated Jul. 5, 2019. Retrieved from <https://www.amazon.com/XUNMAIF-ELE-12000mAh-LED-Leuchten-Smartphone/dp/B07TZ4MXCM> (Year: 2019).\*

\* cited by examiner

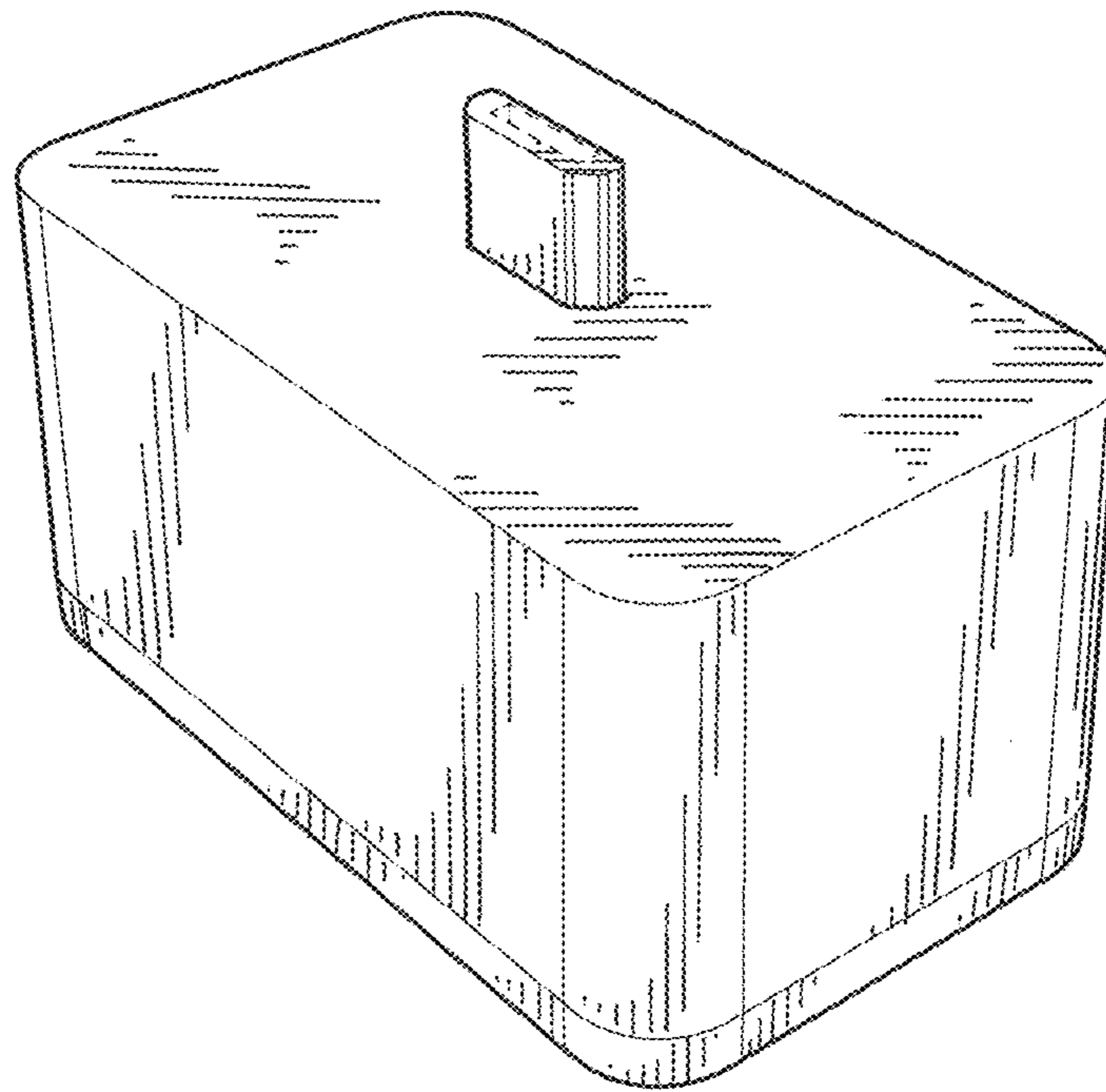


FIG. 1

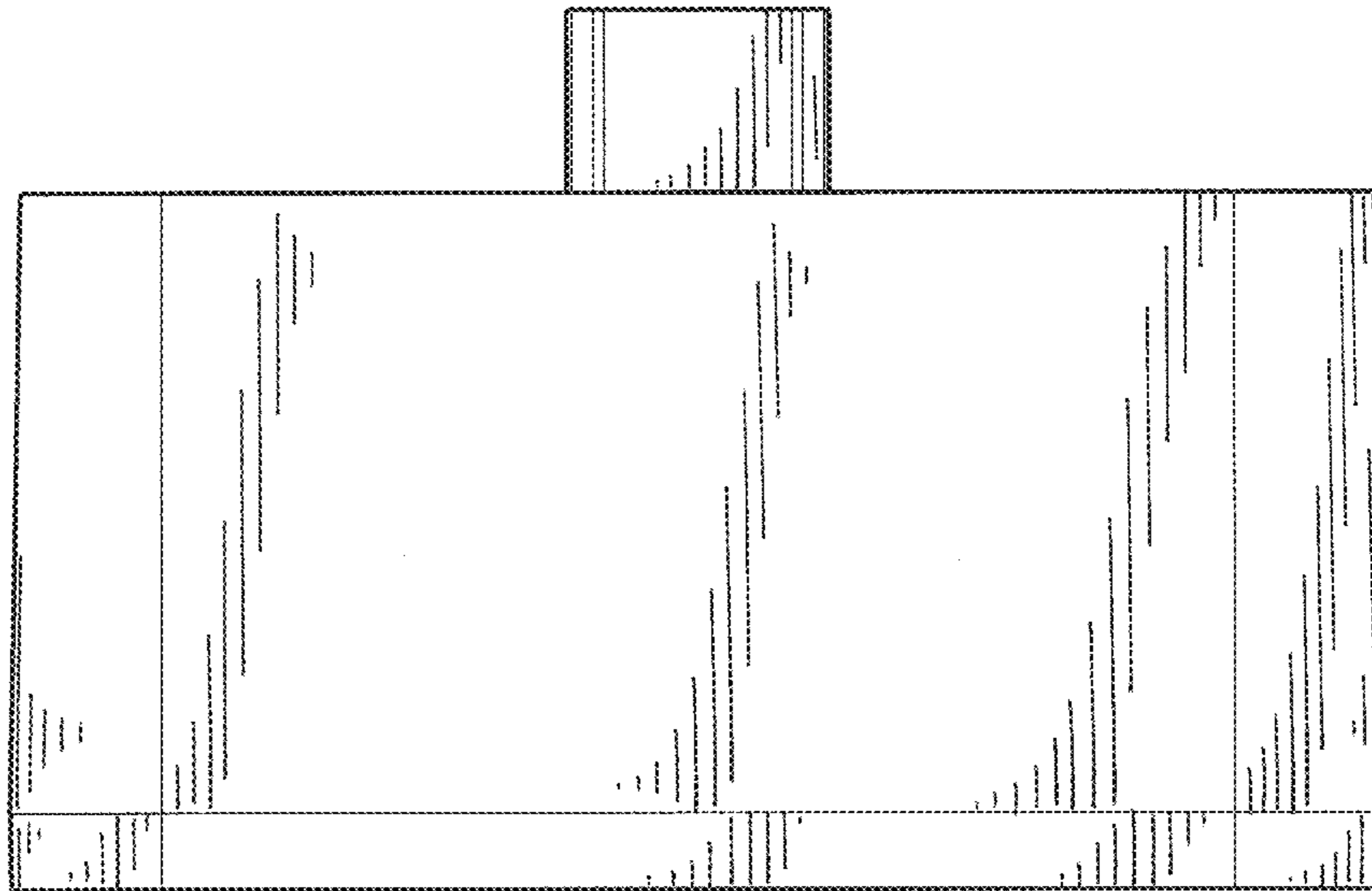


FIG. 2



FIG. 3





FIG. 4

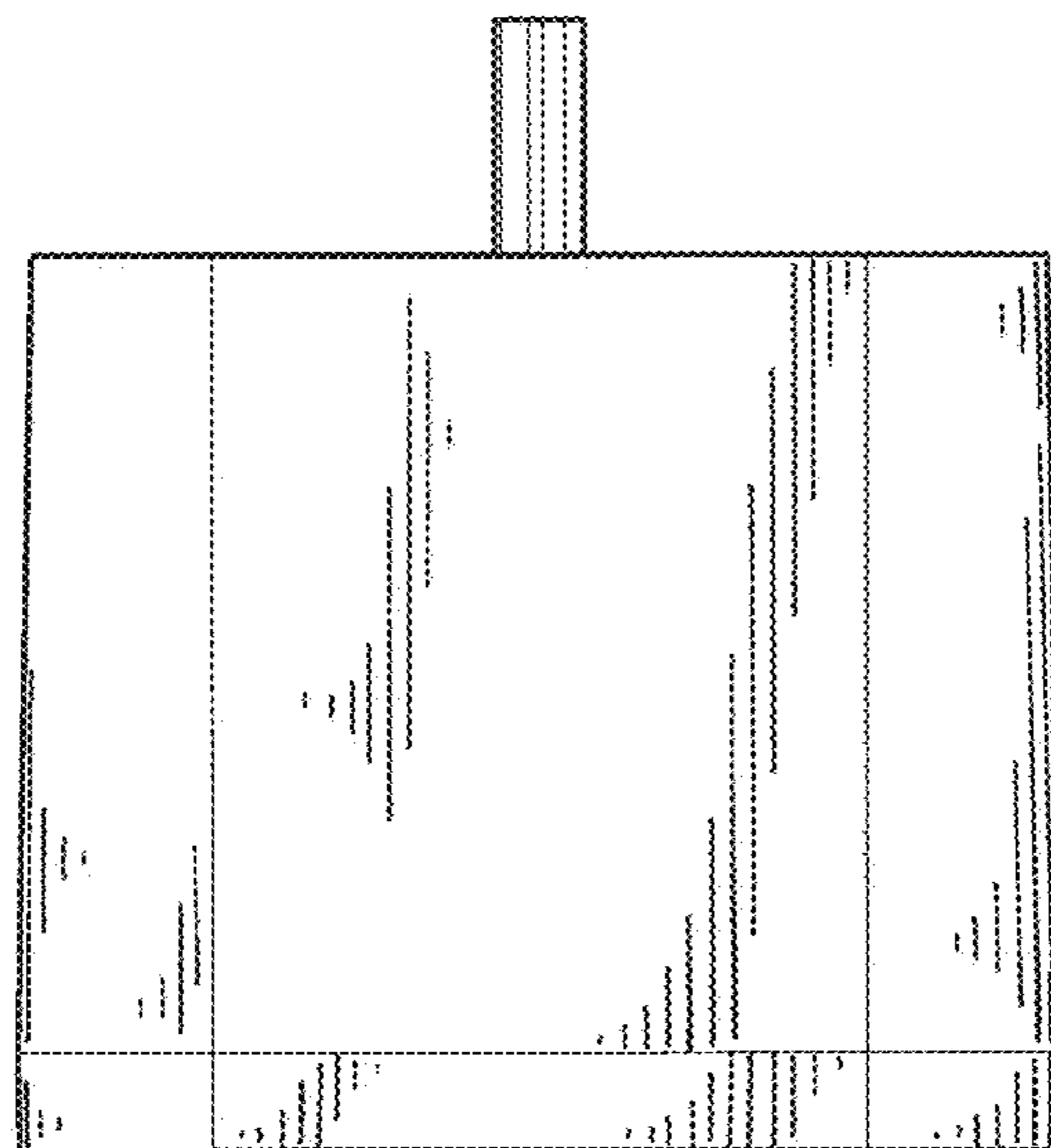


FIG. 5

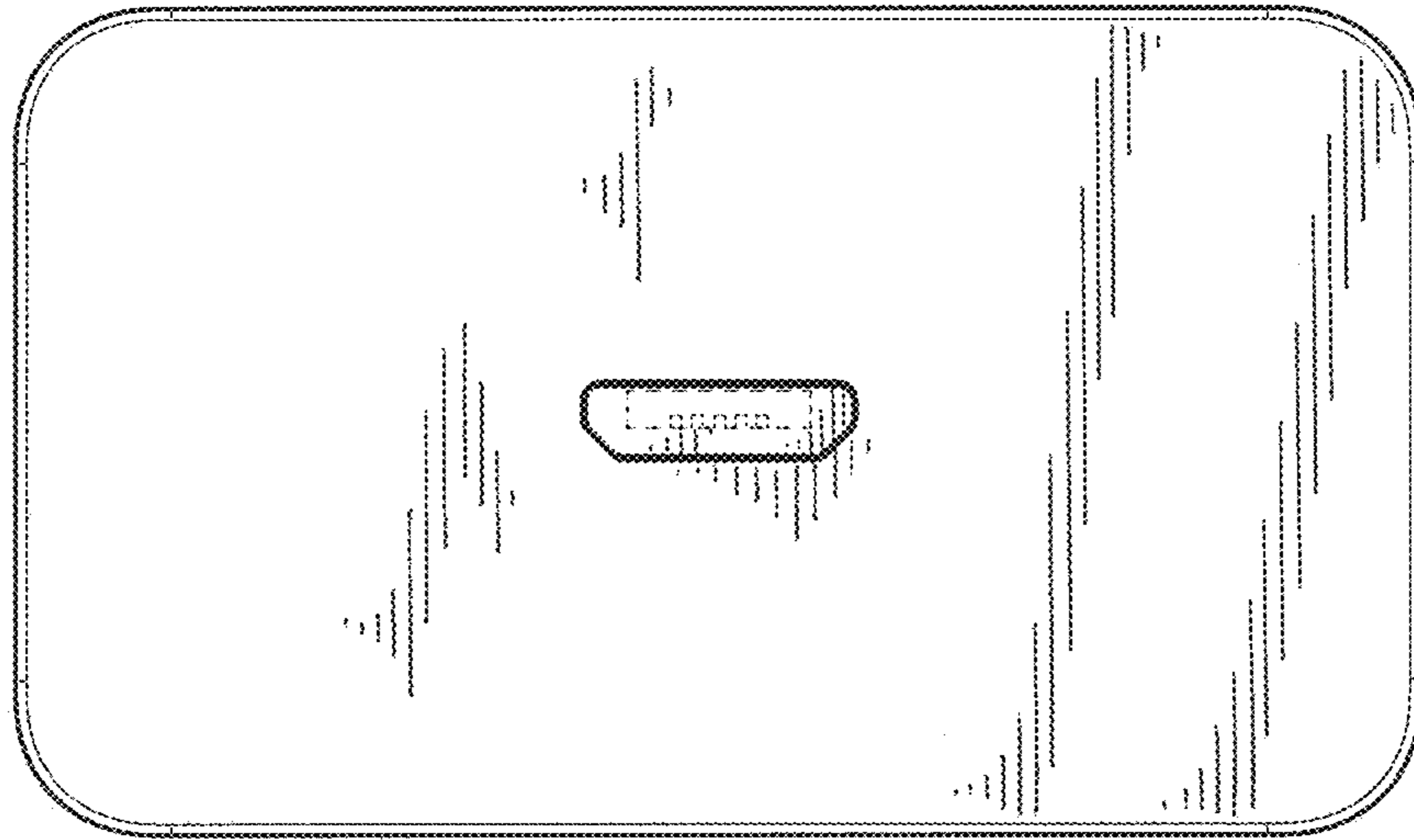


FIG. 6

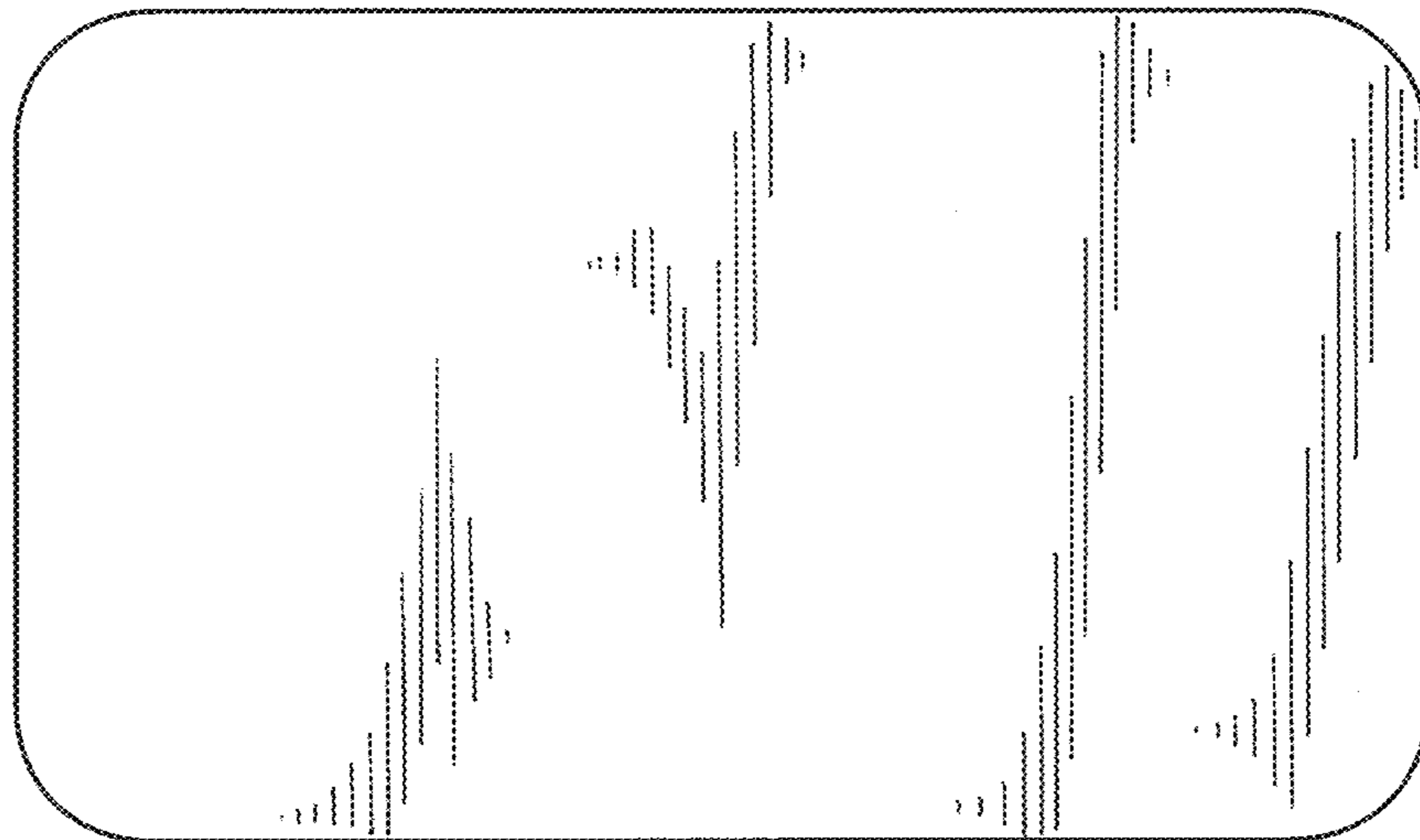


FIG. 7

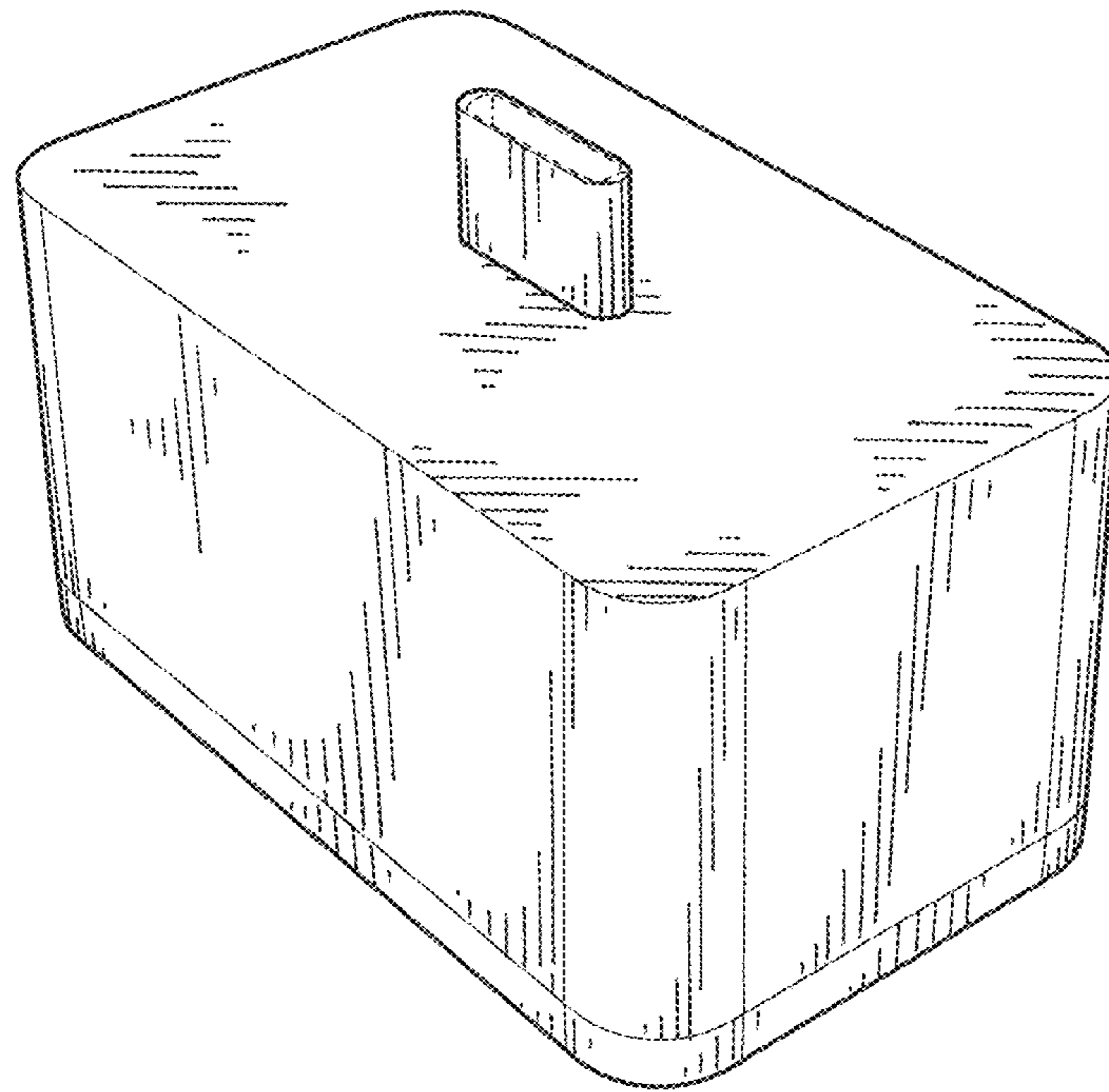


FIG. 8

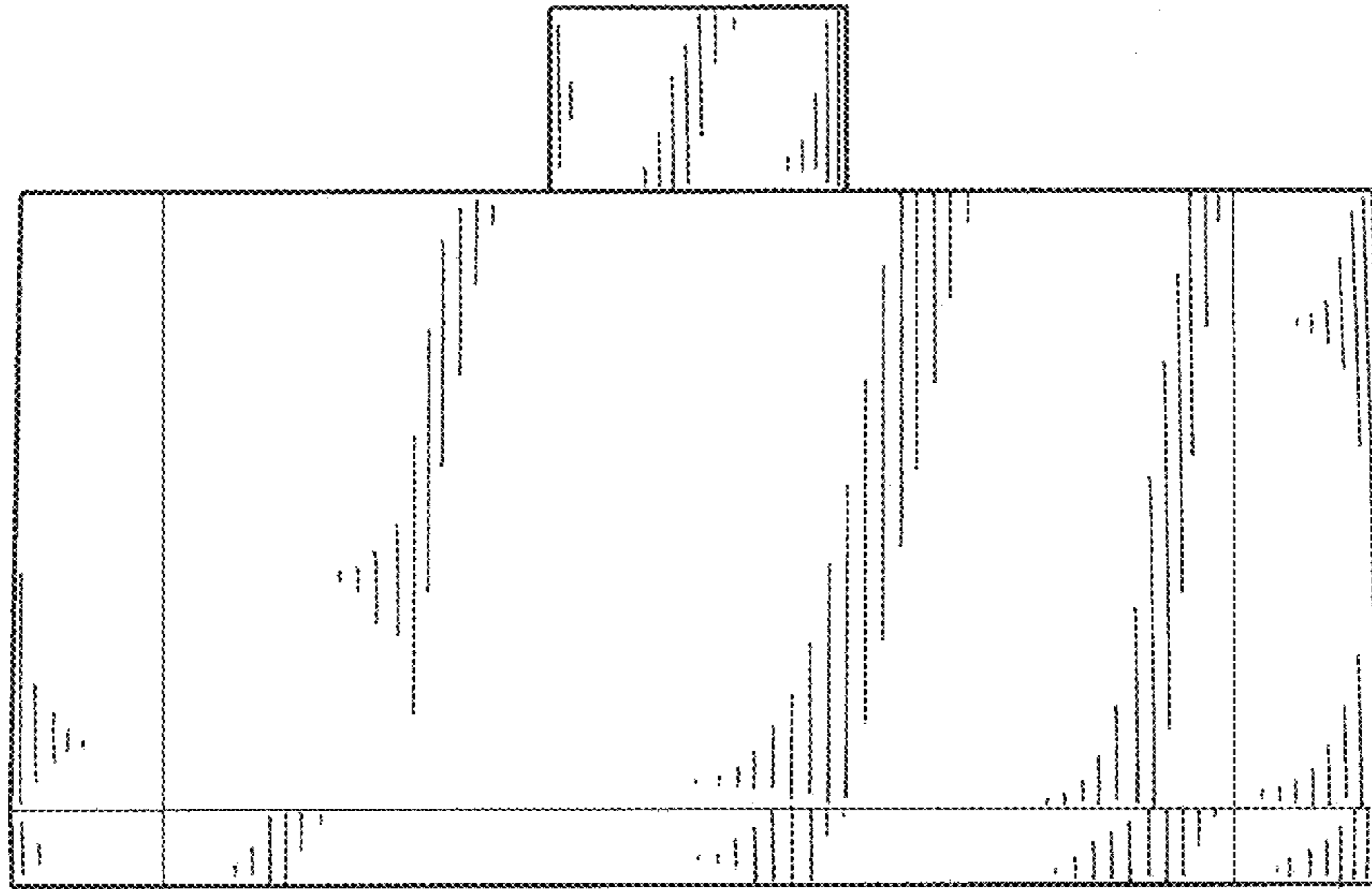


FIG. 9

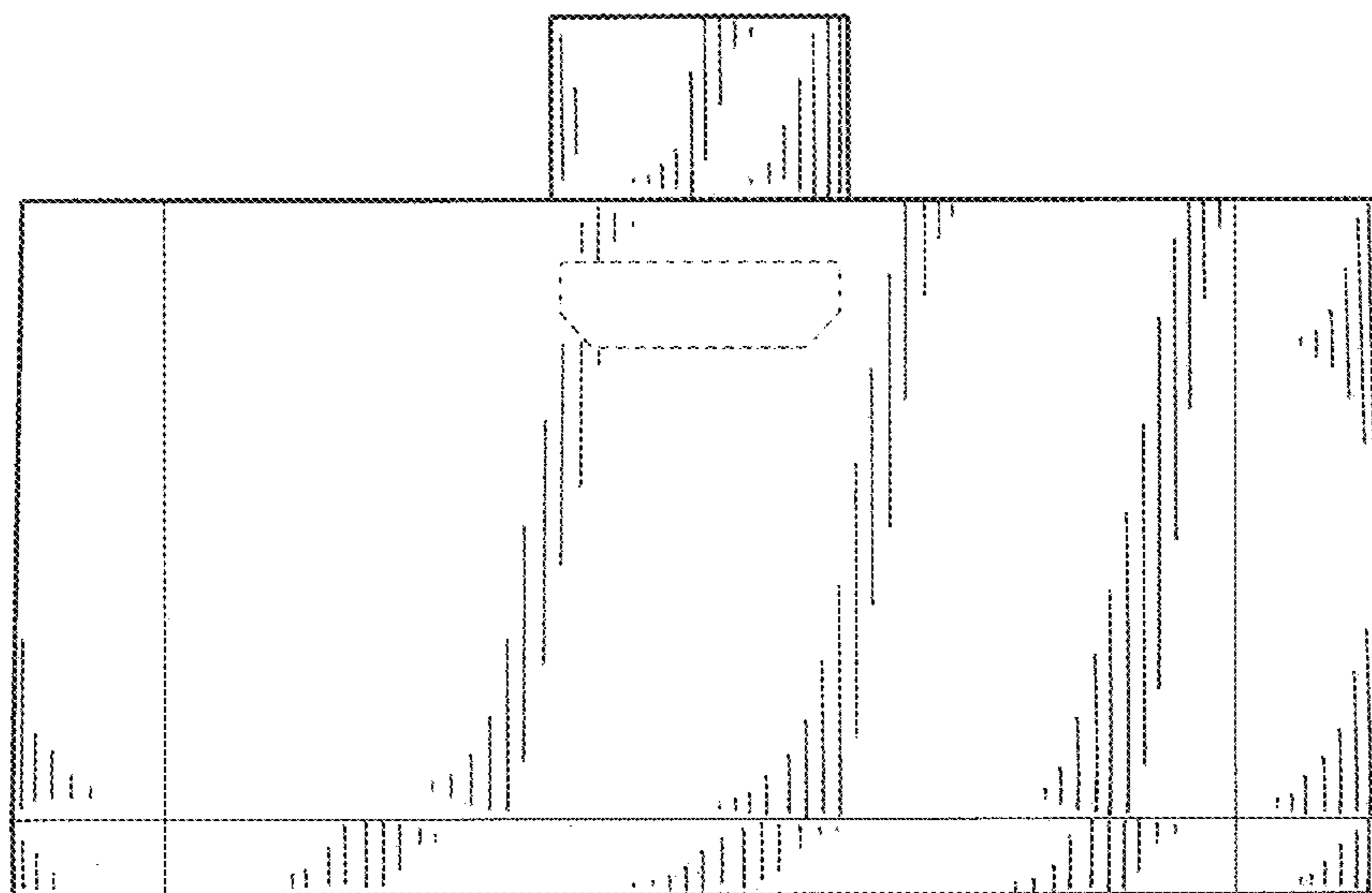


FIG. 10



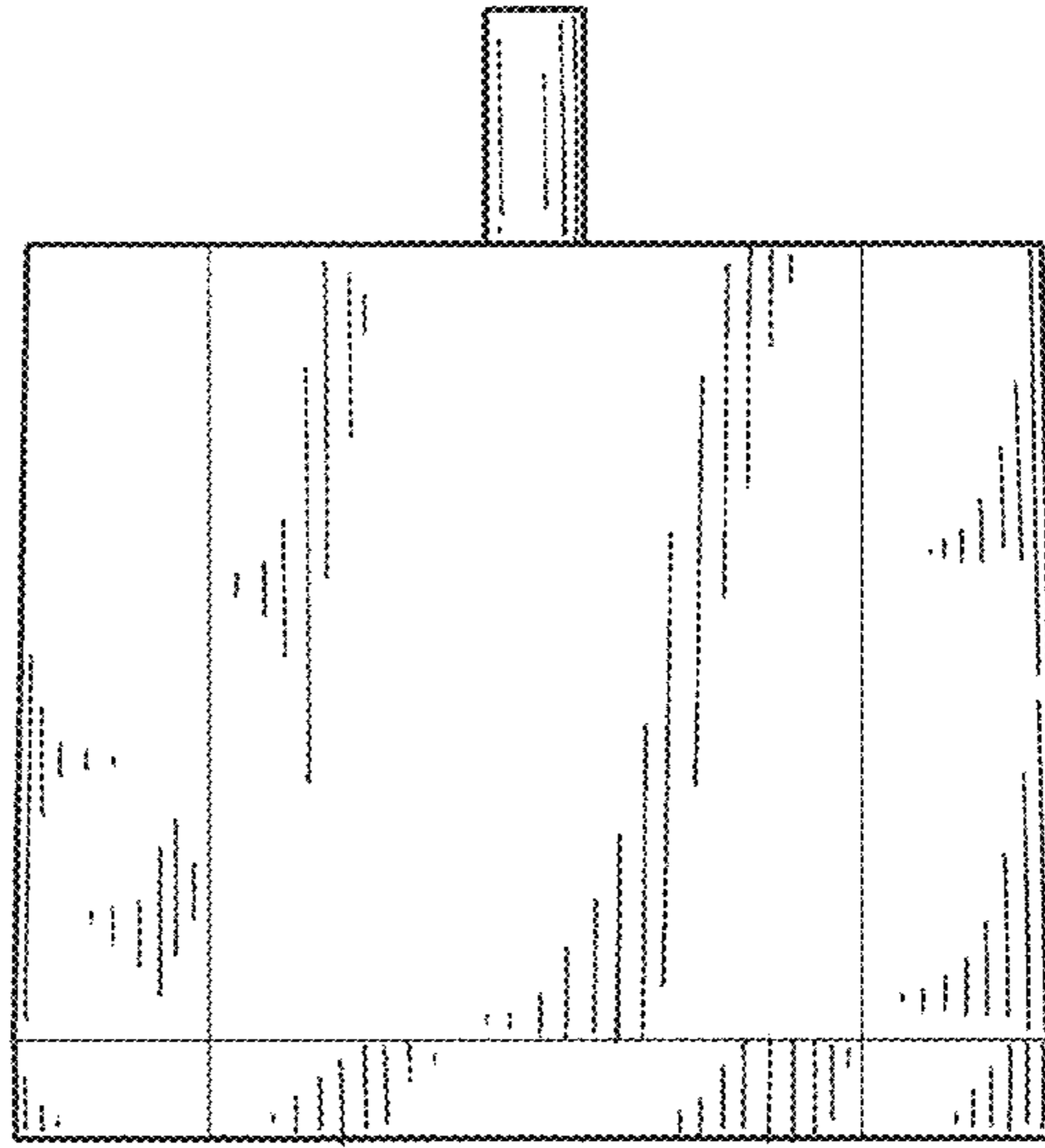


FIG. 11

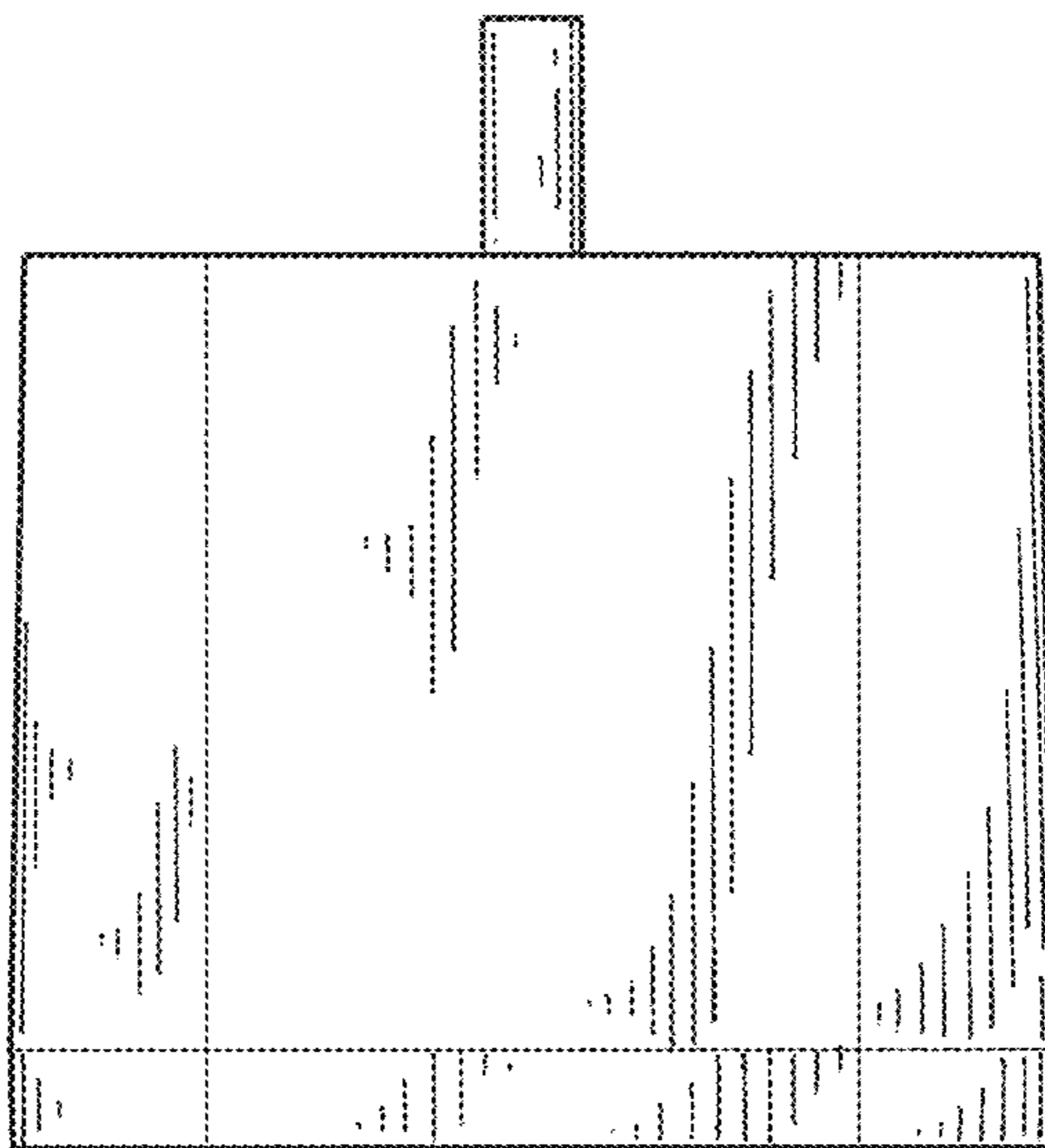


FIG. 12

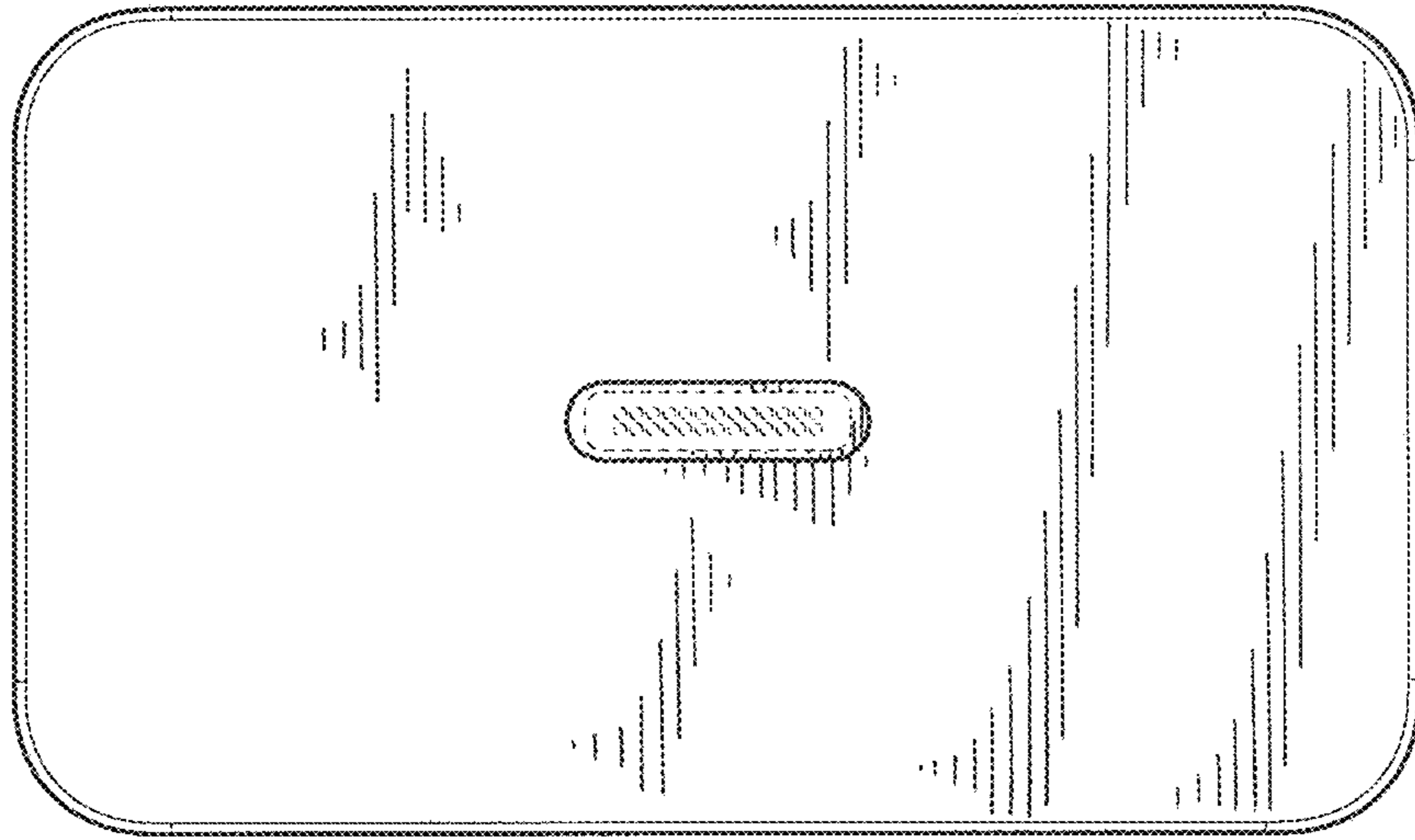


FIG. 13

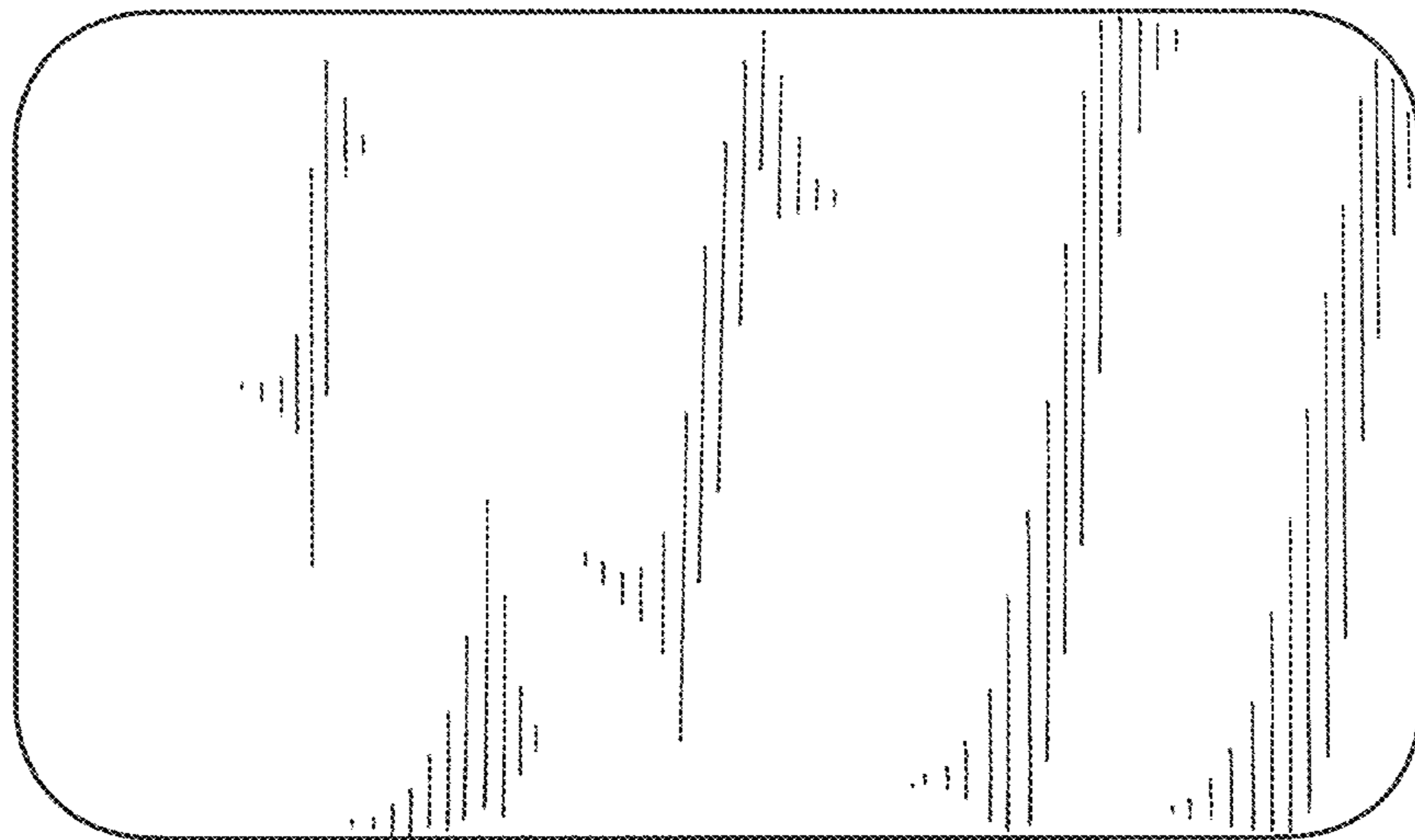


FIG. 14