



US00D935394S

(12) **United States Design Patent**
Qiu

(10) **Patent No.:** **US D935,394 S**

(45) **Date of Patent:** **** Nov. 9, 2021**

(54) **PORTABLE SMART WATCH CHARGER**

(71) Applicant: **Shenzhen Kai Xing Hui Technology Co., Ltd.**, Shenzhen (CN)

(72) Inventor: **Jiebin Qiu**, Shenzhen (CN)

(**) Term: **15 Years**

(21) Appl. No.: **29/713,304**

(22) Filed: **Nov. 15, 2019**

(51) **LOC (13) Cl.** **13-02**

(52) **U.S. Cl.**
USPC **D13/108**

(58) **Field of Classification Search**
USPC D13/103, 107, 108, 110, 118, 119, 133,
D13/144, 146, 153, 154, 156; D14/432,
D14/433, 434, 435.1, 439, 480.1, 408.5,
D14/480.6, 480.7; D27/183, 193, 194
CPC H01R 12/592; H01R 13/62; H01R 13/46
See application file for complete search history.

(56) **References Cited**

U.S. PATENT DOCUMENTS

D508,899 S *	8/2005	Suzuki	D14/125
D580,932 S *	11/2008	Tzou	D14/356
D616,899 S *	6/2010	Andre	D14/496
D705,748 S *	5/2014	He	D14/155
D784,356 S *	4/2017	Luo	D14/480.1
D845,897 S *	4/2019	Kim	D13/108
D887,419 S *	6/2020	Roberts	D14/480.7
D898,665 S *	10/2020	Georgiades	D13/108
D906,959 S *	1/2021	Turksu	D13/108
10,910,871 B2 *	2/2021	Tagtow	H02J 7/342
2012/0187902 A1 *	7/2012	Wang	H02J 7/00
				320/107
2016/0013578 A1 *	1/2016	Lin	H01R 13/4538
				439/131
2018/0102654 A1 *	4/2018	Miller	H05B 47/105

OTHER PUBLICATIONS

“Kanex Portable Apple Watch Charger”. Found online Feb. 26, 2021 iclarified.com. Reference dated Aug. 23, 2016. Retrieved from <https://www.iclarified.com/56540/portable-apple-watch-charger-from-kanex-now-available>. (Year: 2016).*
“Wireless Portable Apple Watch Charger”. Found online Feb. 26, 2021 amazon.co.uk. Reference dated May 14, 2018. Retrieved from https://www.amazon.co.uk/gp/product/B07D31CGP5/ref=as_li_ss_tl. (Year: 2018).*

(Continued)

Primary Examiner — Kendra Leslie Hamilton

Assistant Examiner — Amanda Christensen

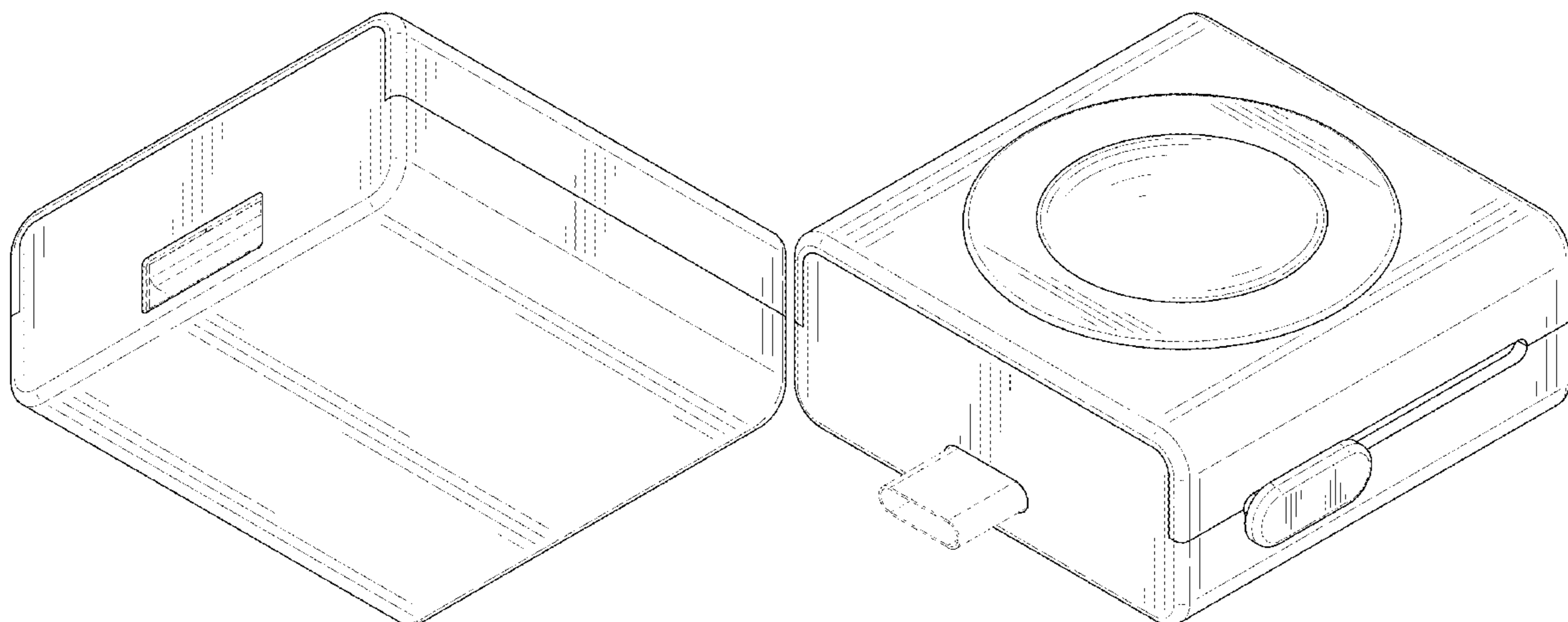
(57) **CLAIM**

The ornamental design for a portable smart watch charger, as shown and described.

DESCRIPTION

FIG. 1 is a top, front, left side perspective view of a portable smart watch charger, showing my new design;
FIG. 2 is a bottom, back, right side perspective view thereof;
FIG. 3 is a front elevation view thereof;
FIG. 4 is a back elevation view thereof;
FIG. 5 is a left side elevation view thereof;
FIG. 6 is a right side elevation view thereof;
FIG. 7 is a top plan view thereof;
FIG. 8 is a bottom plan view thereof;
FIG. 9 is a top, front, left side perspective view of the portable smart watch charger of FIG. 1, shown in a first condition for use; and,
FIG. 10 is a top, front, right side perspective view of the portable smart watch charger of FIG. 1, shown in a second condition for use.
The broken lines in the drawings depict portions of the portable smart watch charger that form no part of the claimed design.

1 Claim, 10 Drawing Sheets



(56)

References Cited

OTHER PUBLICATIONS

“MIPOW Portable Wireless Charger”. Found online Feb. 26, 2021
amazon.com. Reference dated May 7, 2018. Retrieved from [https://
www.amazon.com/MIPOW-Portable-Ultra-Compact-High-Speed-
Technology/dp/B07CXGLZFX](https://www.amazon.com/MIPOW-Portable-Ultra-Compact-High-Speed-Technology/dp/B07CXGLZFX). (Year: 2018).*

* cited by examiner

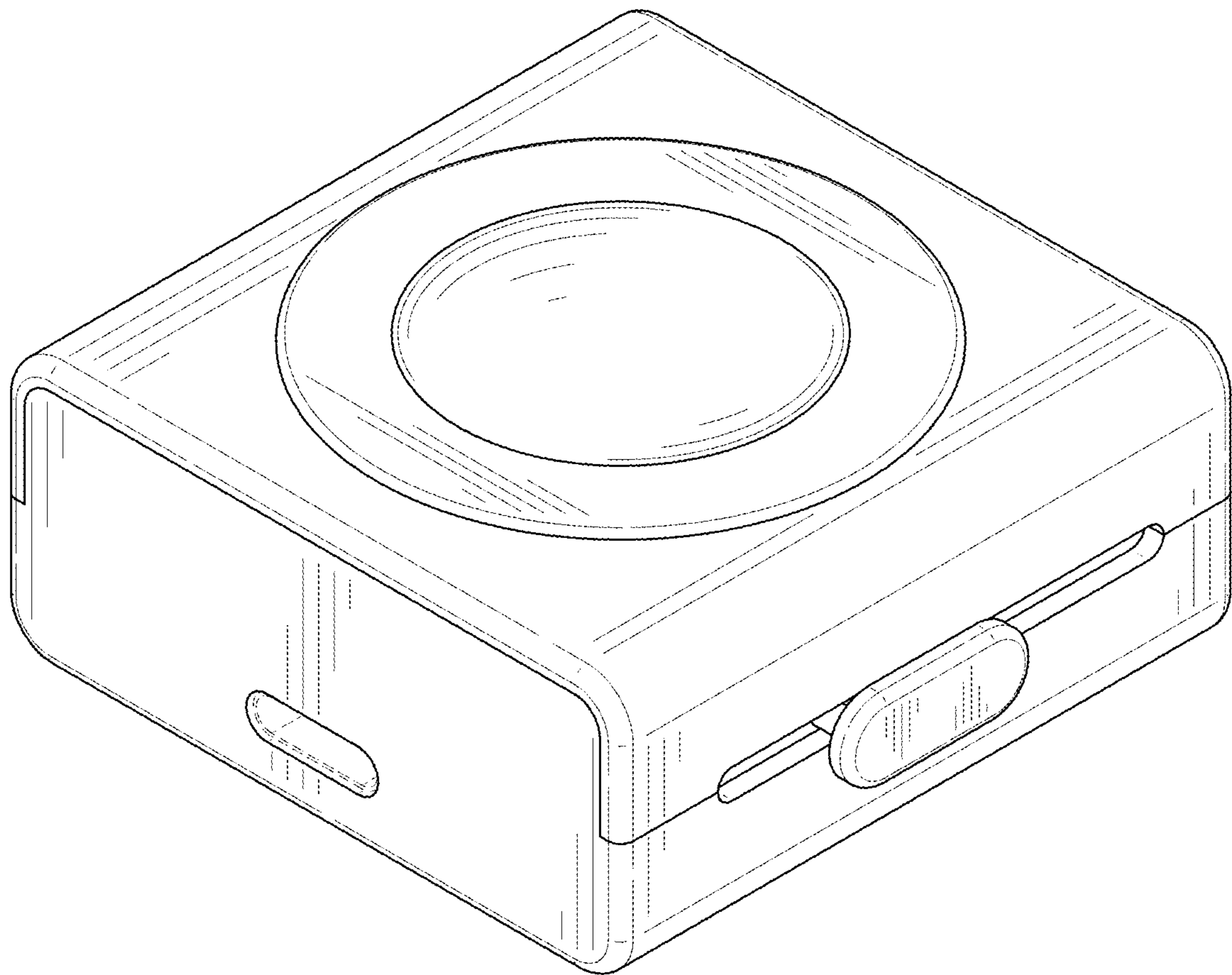


FIG. 1

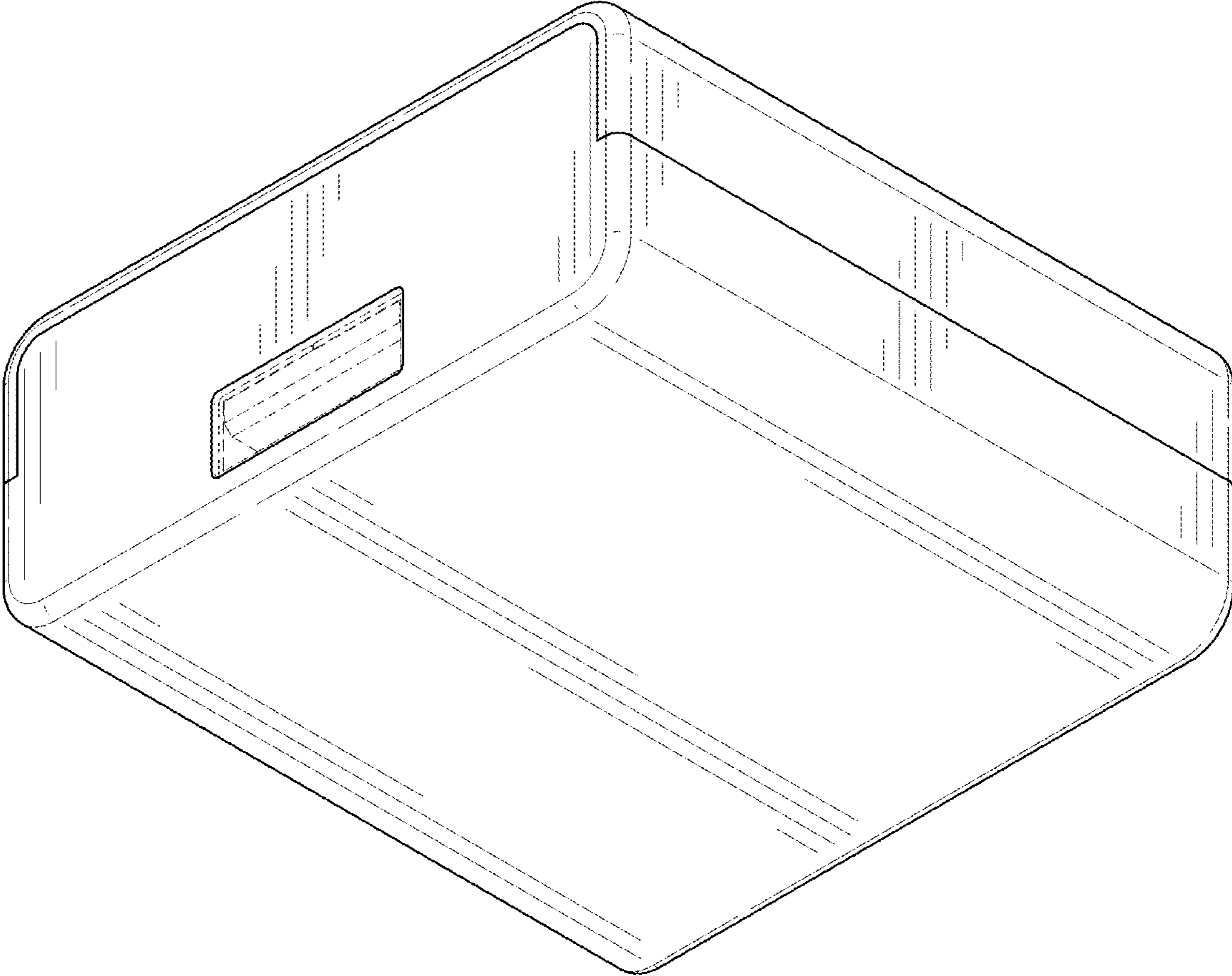


FIG. 2

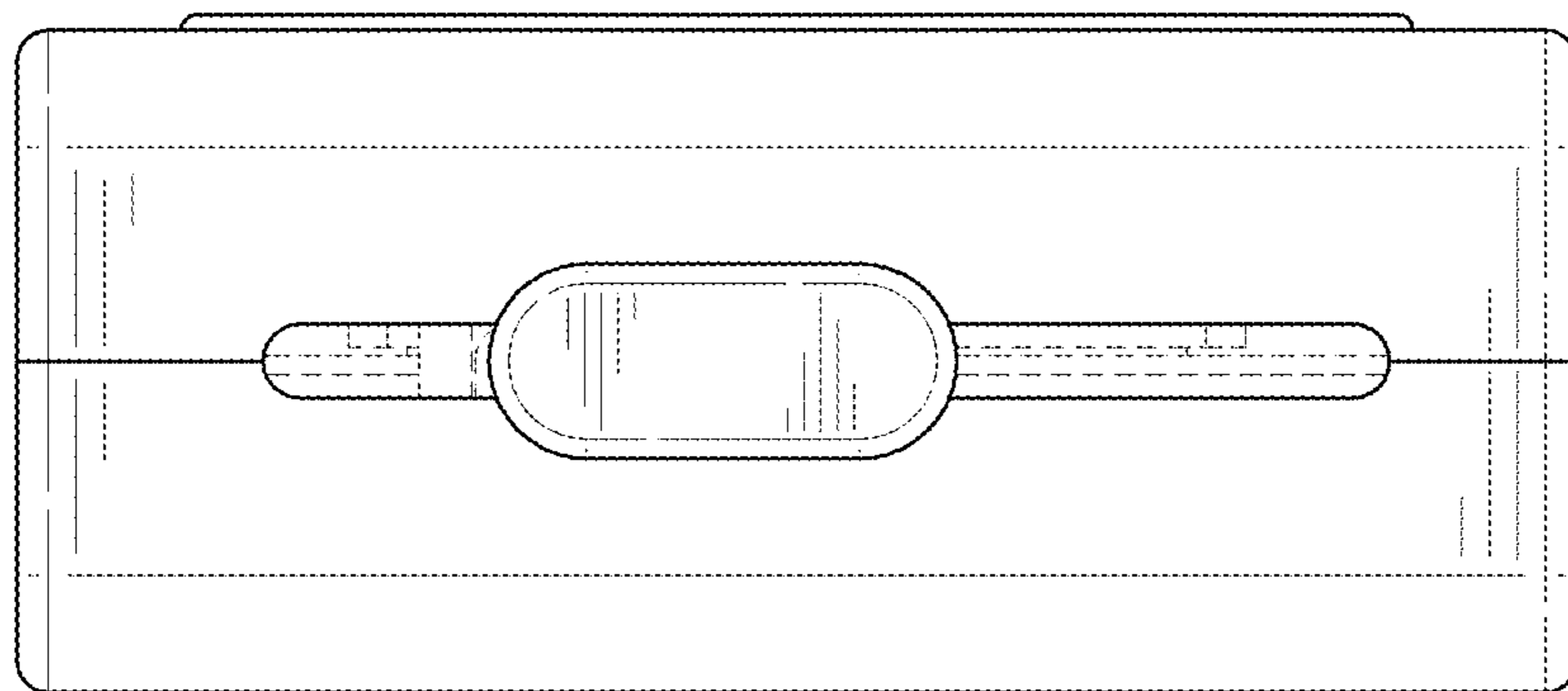


FIG. 3

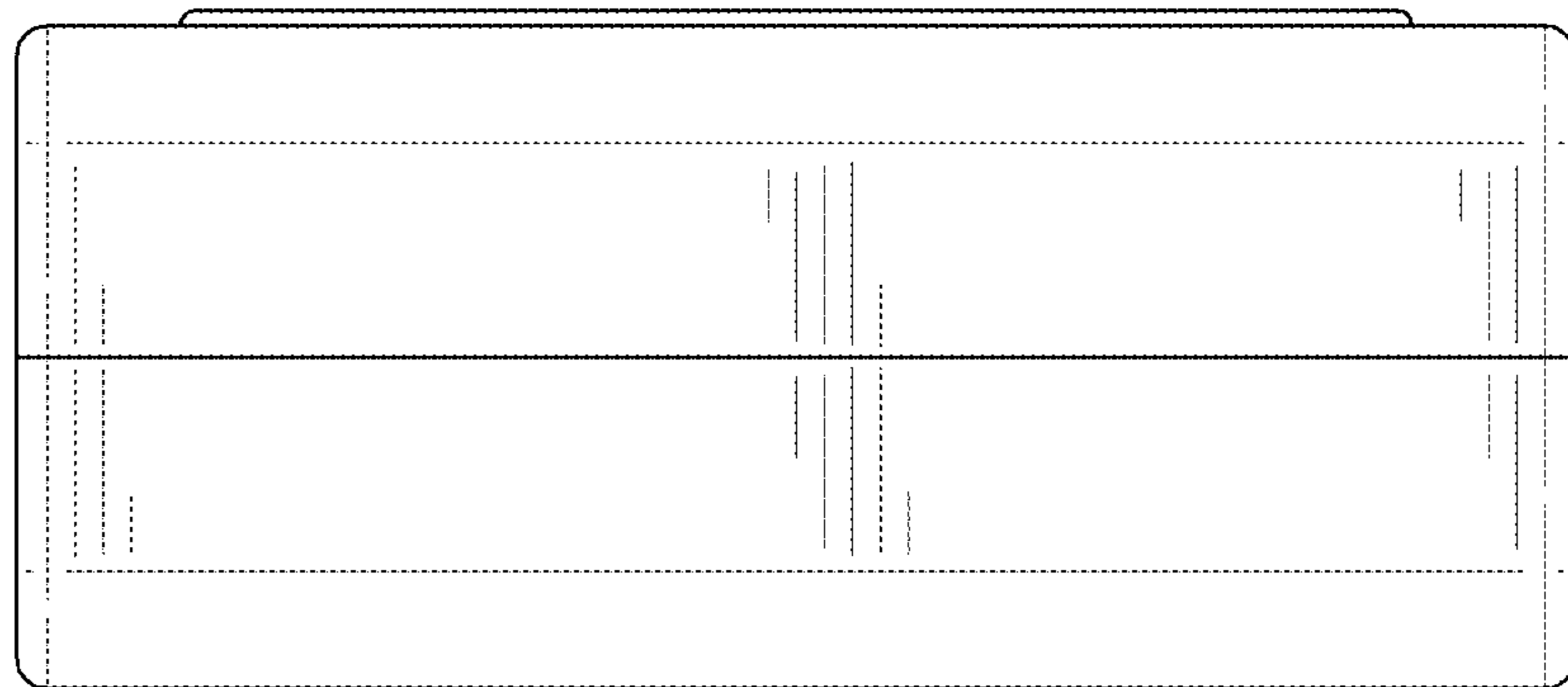


FIG. 4

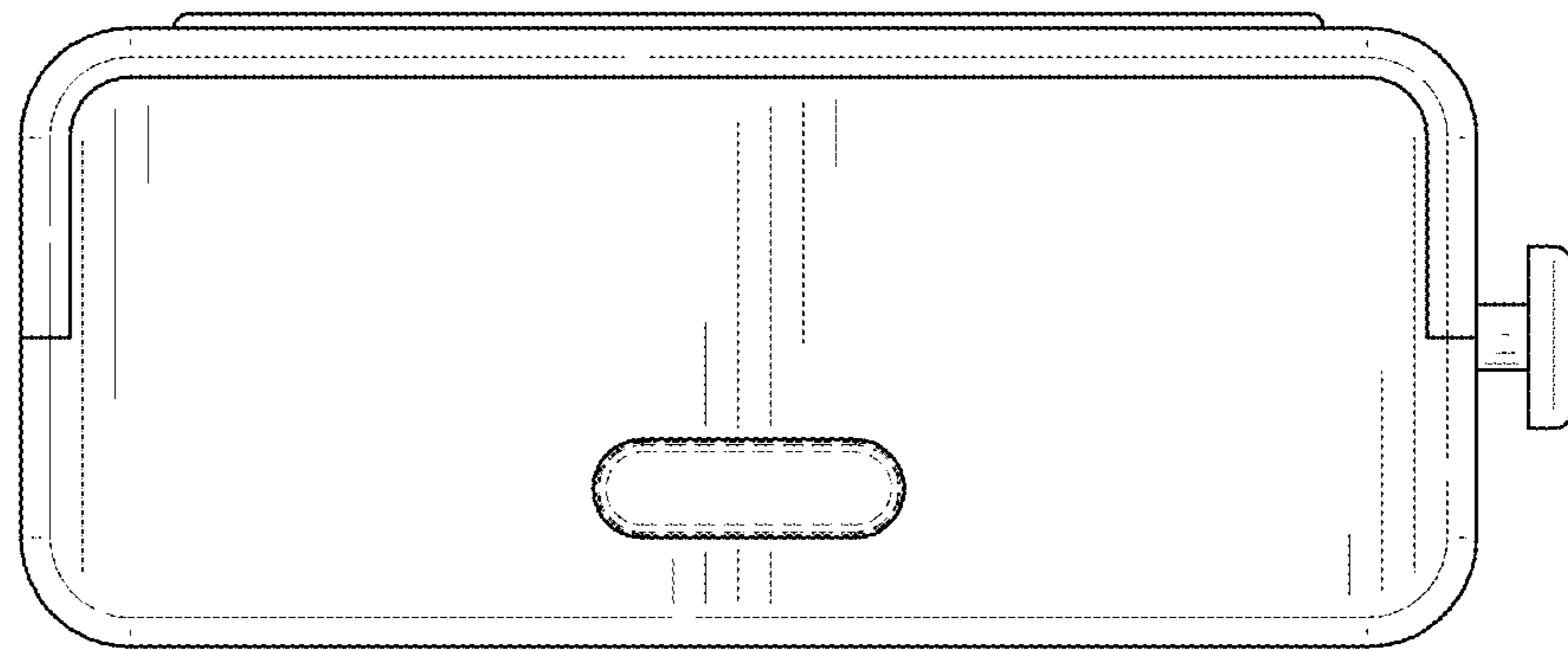


FIG. 5

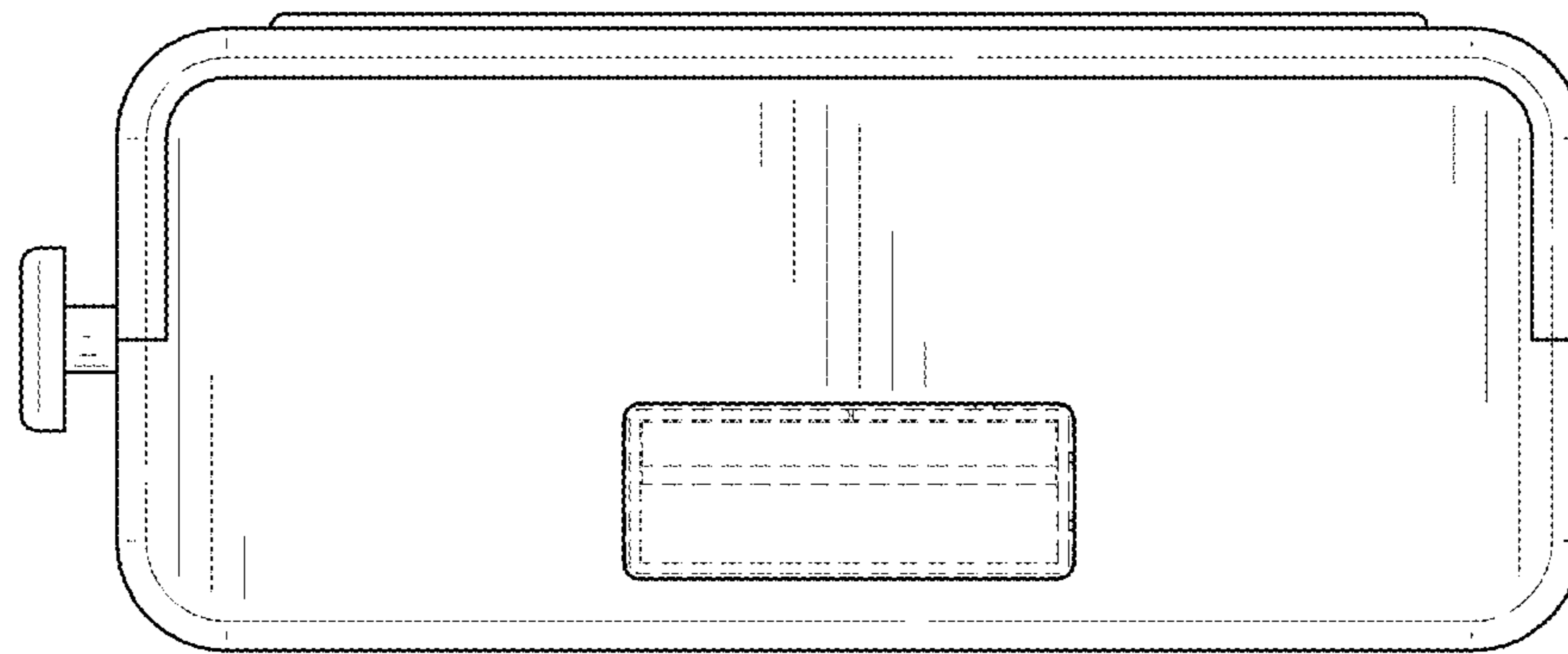


FIG. 6

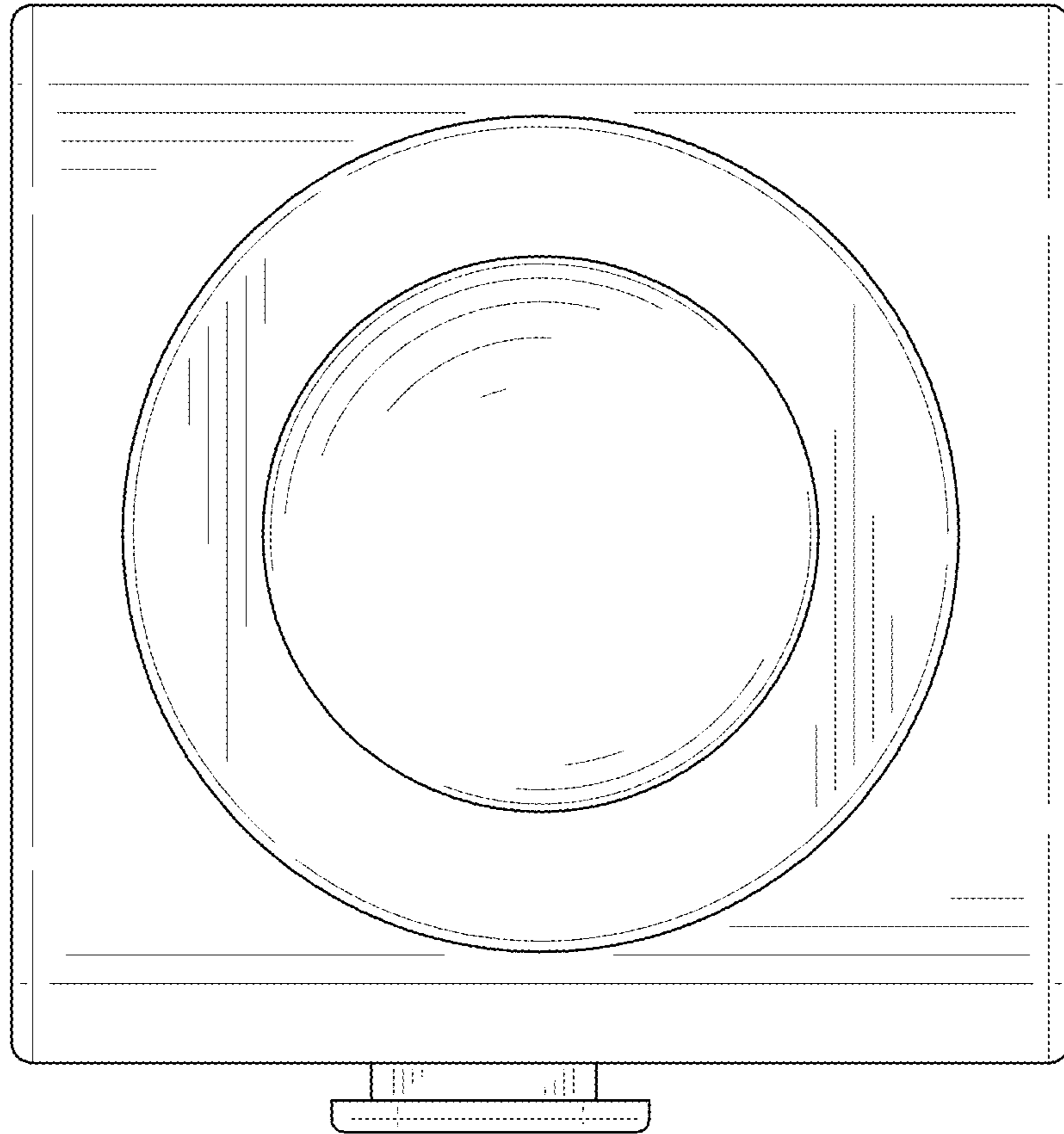


FIG. 7

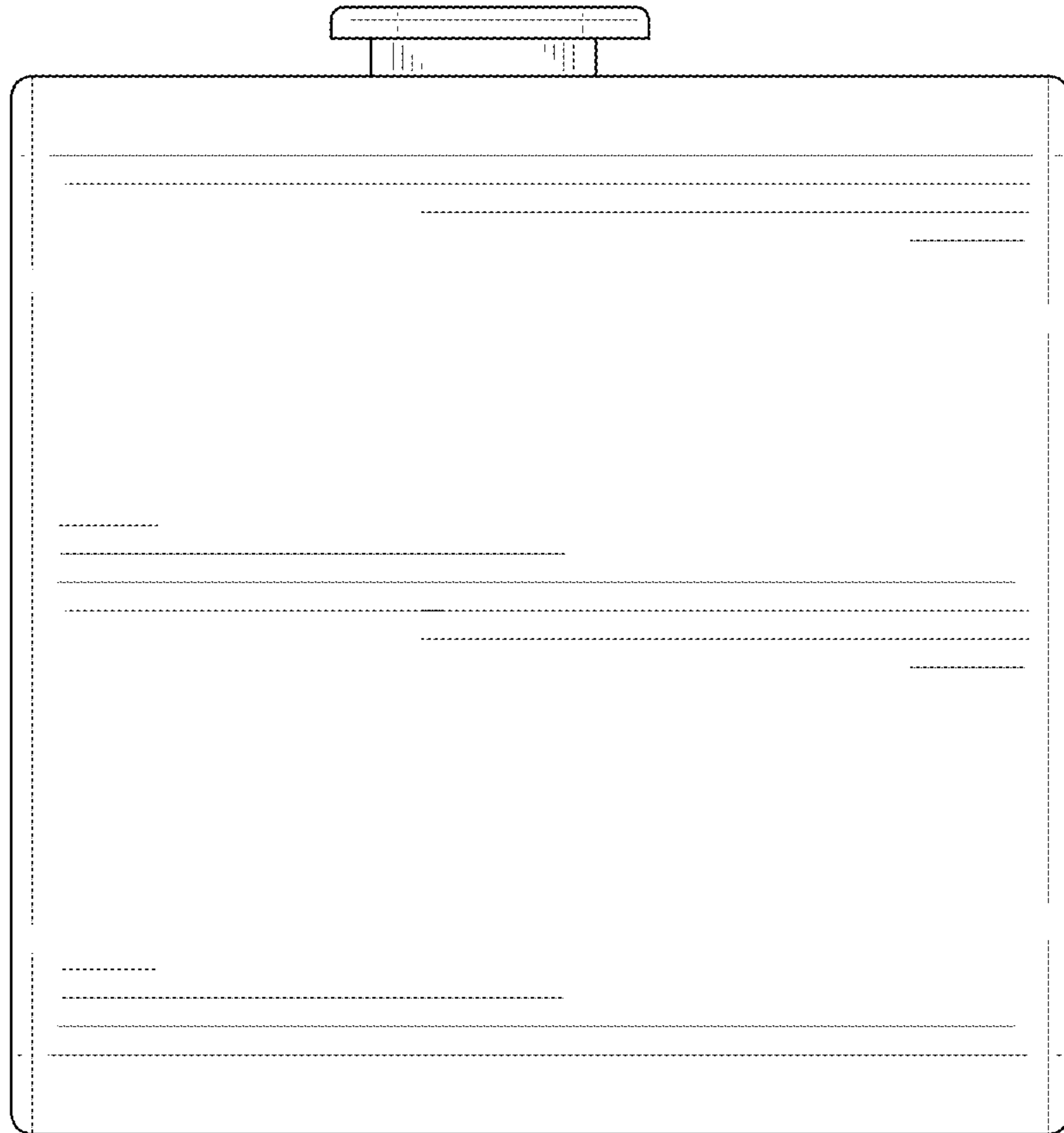


FIG. 8

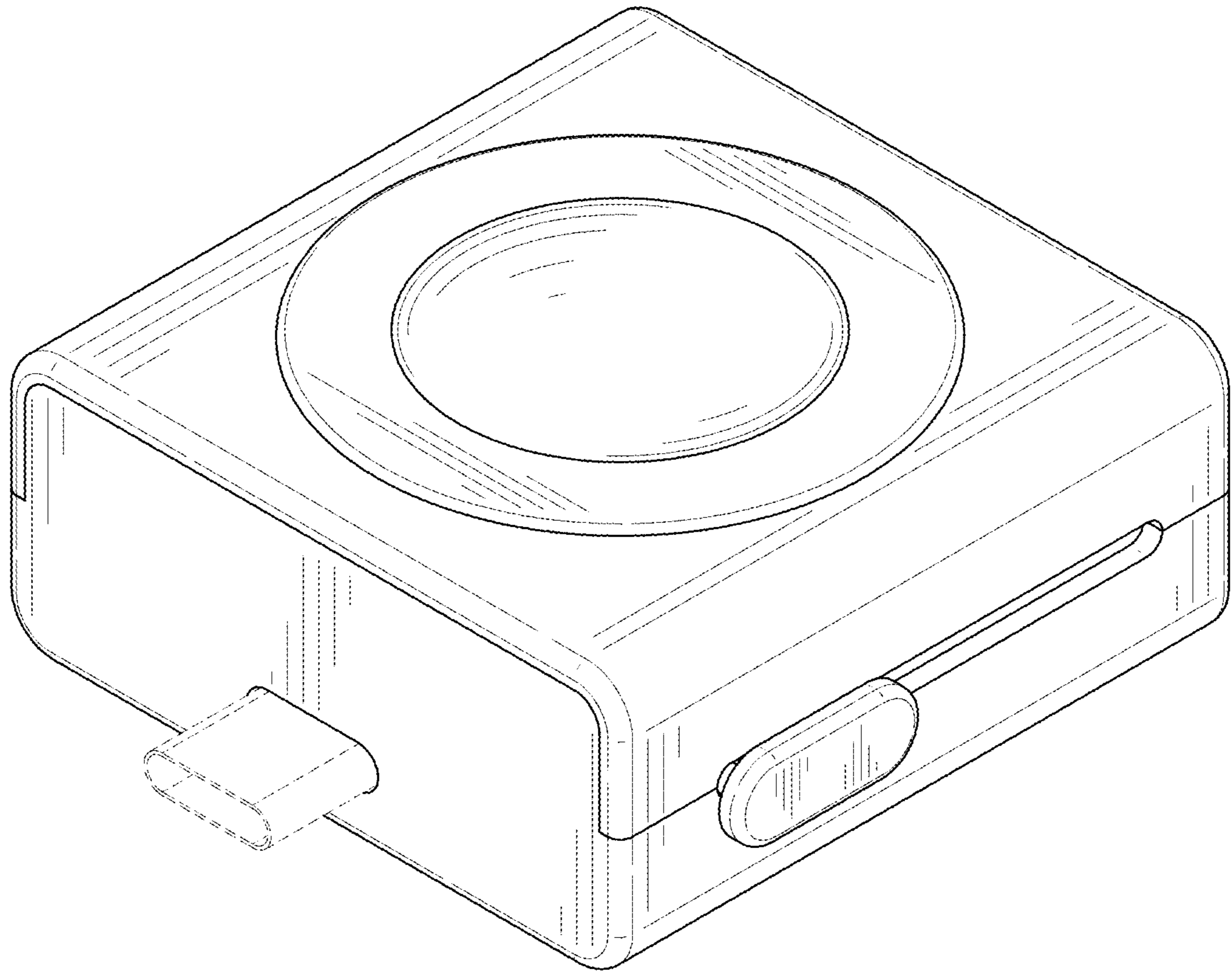


FIG. 9

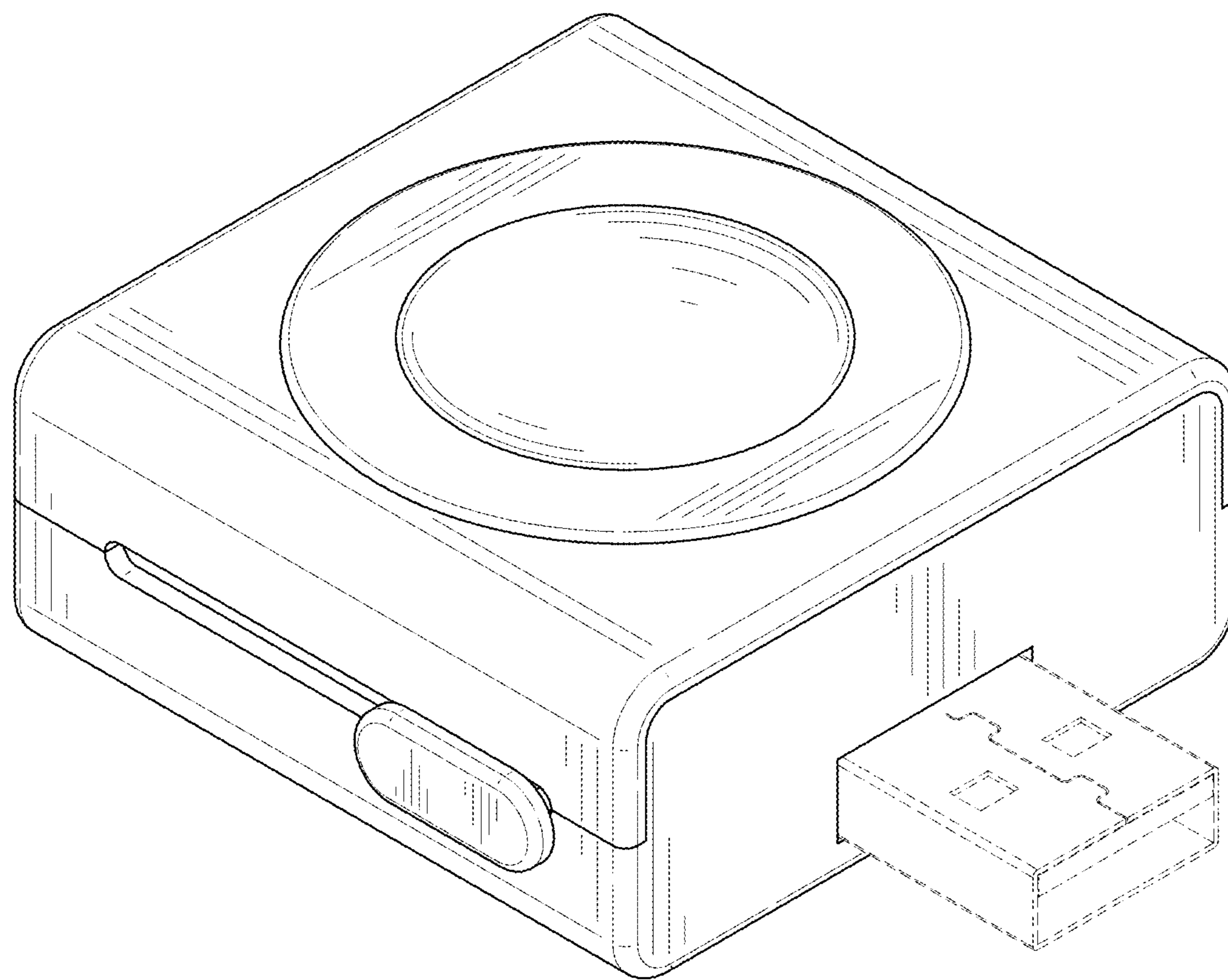


FIG. 10