



US00D935392S

(12) **United States Design Patent** (10) **Patent No.:** **US D935,392 S**
Shum (45) **Date of Patent:** **** Nov. 9, 2021**

(54) **POWER STATION**
(71) Applicant: **VECTOR PRODUCTS, INC.**, Boca Raton, FL (US)
(72) Inventor: **Ling To Shum**, Boca Raton, FL (US)
(73) Assignee: **VECTOR PRODUCTS, INC.**, Boca Raton, FL (US)

D635,510 S * 4/2011 Inskeep D13/107
D729,728 S * 5/2015 Inskeep D13/107
D781,783 S * 3/2017 Inskeep D13/107
D793,336 S * 8/2017 Inskeep D13/107
D811,324 S * 2/2018 Inskeep D13/107
D833,386 S * 11/2018 Tschopp D13/107
D910,560 S * 2/2021 Inskeep D13/110
D917,569 S * 4/2021 Youngblutt D15/7
2015/0091392 A1* 4/2015 Hwang H02J 7/0045
307/150

(**) Term: **15 Years**

* cited by examiner

(21) Appl. No.: **29/749,230**

Primary Examiner — Nathaniel D. Buckner
(74) *Attorney, Agent, or Firm* — Daniel S. Polley, P.A.

(22) Filed: **Sep. 3, 2020**

(51) **LOC (13) Cl.** **13-02**

(52) **U.S. Cl.**
USPC **D13/107; D15/9**

(57) **CLAIM**

The ornamental design for a power station, as shown and described.

(58) **Field of Classification Search**
USPC D13/107–110, 118–119, 184; D14/251, D14/253, 432, 434; D15/7–9; D23/231–232
CPC Y02E 60/12; Y02T 90/14; Y02T 90/122; Y02T 90/128; Y02T 90/163; H02J 7/025; H02J 7/0042; H02J 7/0044; H02J 7/0045; H02J 7/0013; H02J 7/0003; H01F 38/14; H01R 13/6675; H01M 2/1022; H01M 2/1055; H01M 10/44; H01M 10/46; H01M 10/425; B60L 11/182
See application file for complete search history.

DESCRIPTION

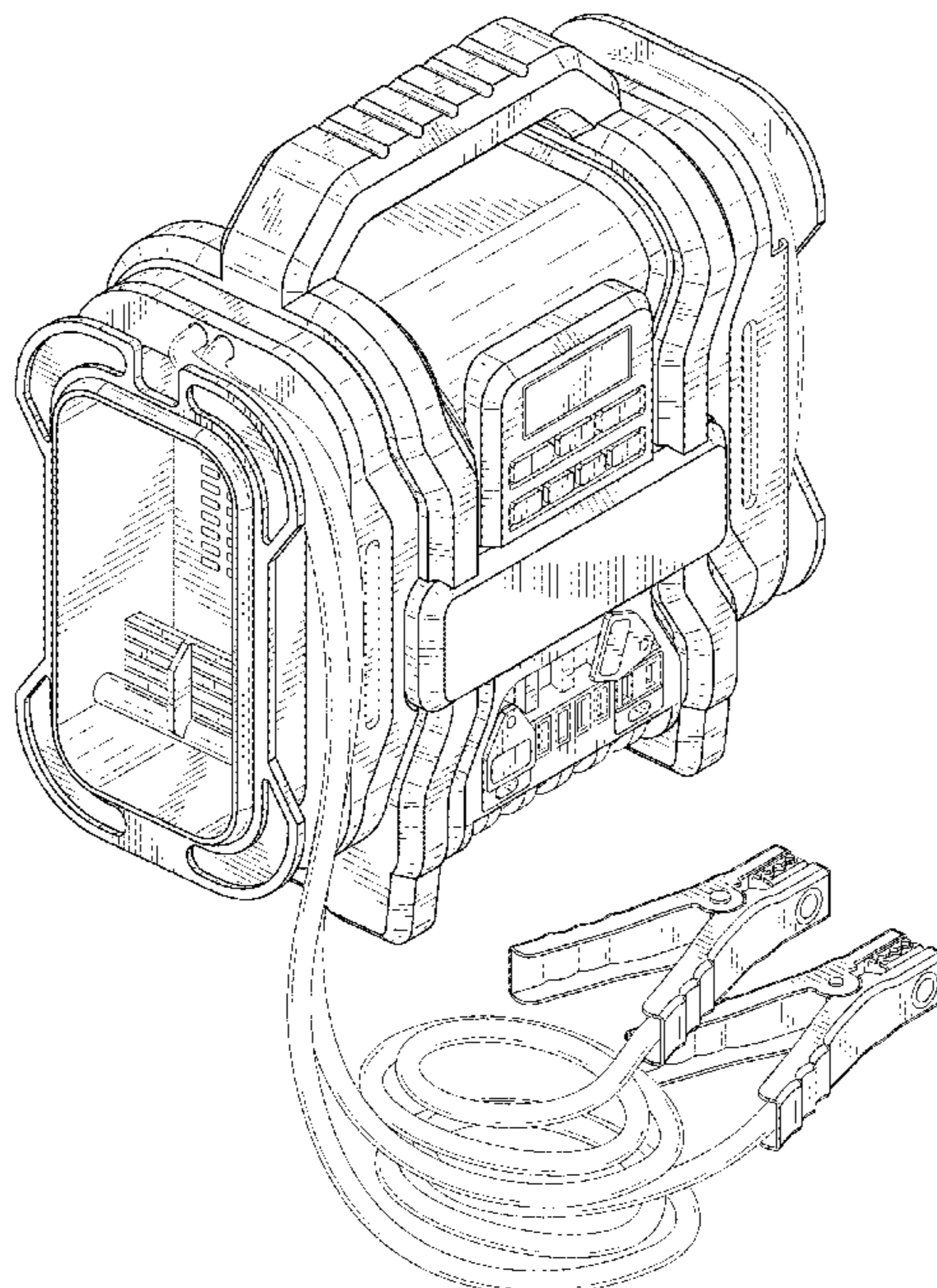
FIG. 1 is a top perspective view of the power station, showing my new design, in a first condition of use;
FIG. 2 is a bottom perspective view thereof, shown in a second condition of use;
FIG. 3 is a top view thereof, shown in the first condition of use;
FIG. 4 is a bottom view thereof, shown in the second condition of use;
FIG. 5 is a left side view thereof, shown in the first condition of use;
FIG. 6 is a right side view thereof, shown in the second condition of use;
FIG. 7 is a front view thereof, shown in the first condition of use; and,
FIG. 8 is back view thereof, shown in the second condition of use.

(56) **References Cited**

U.S. PATENT DOCUMENTS

D601,495 S * 10/2009 Shum D13/107
D609,632 S * 2/2010 Daniels D13/107
D609,633 S * 2/2010 Daniels D13/107
D609,635 S * 2/2010 Daniels D13/107

1 Claim, 8 Drawing Sheets



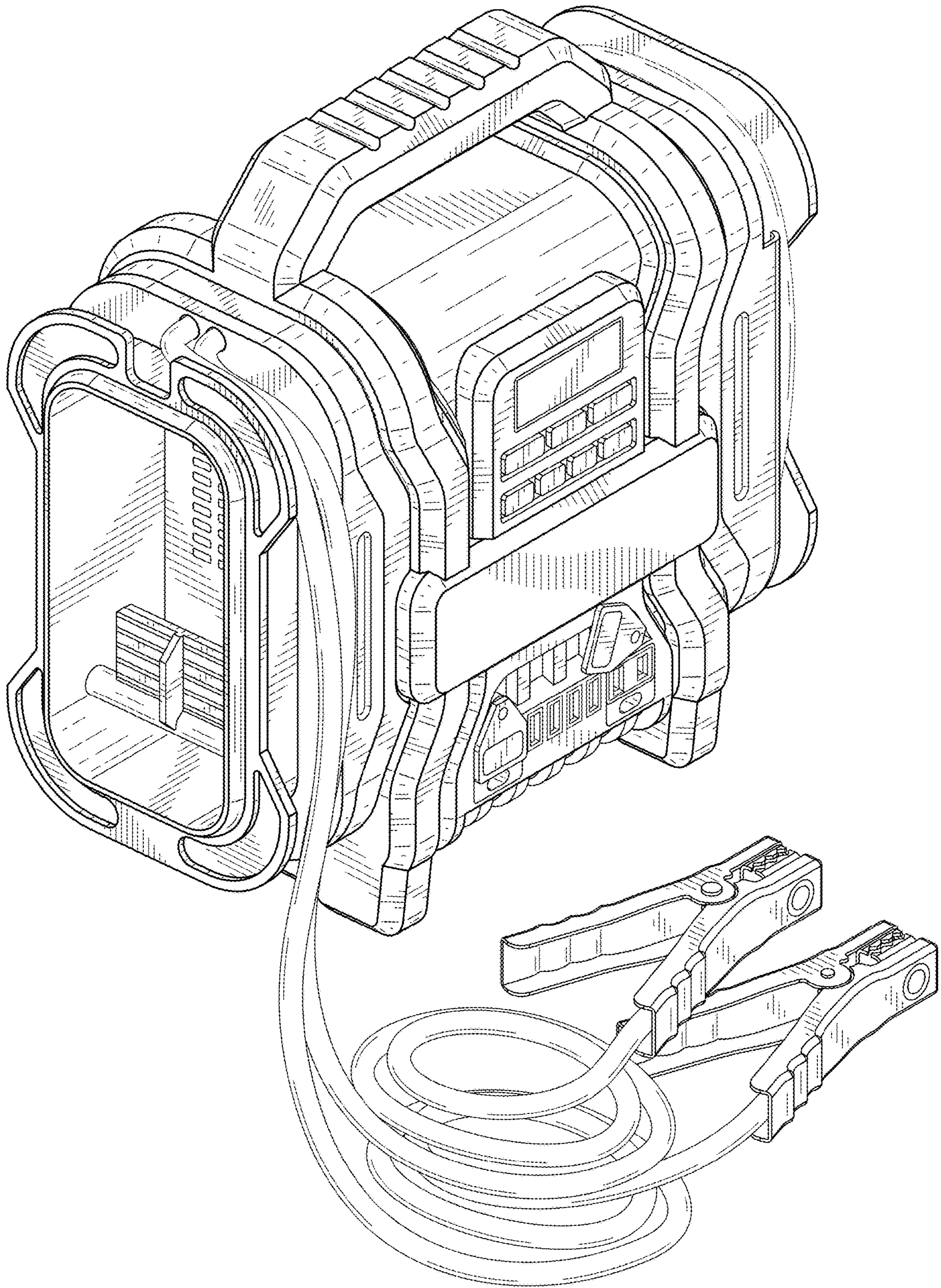


FIG. 1

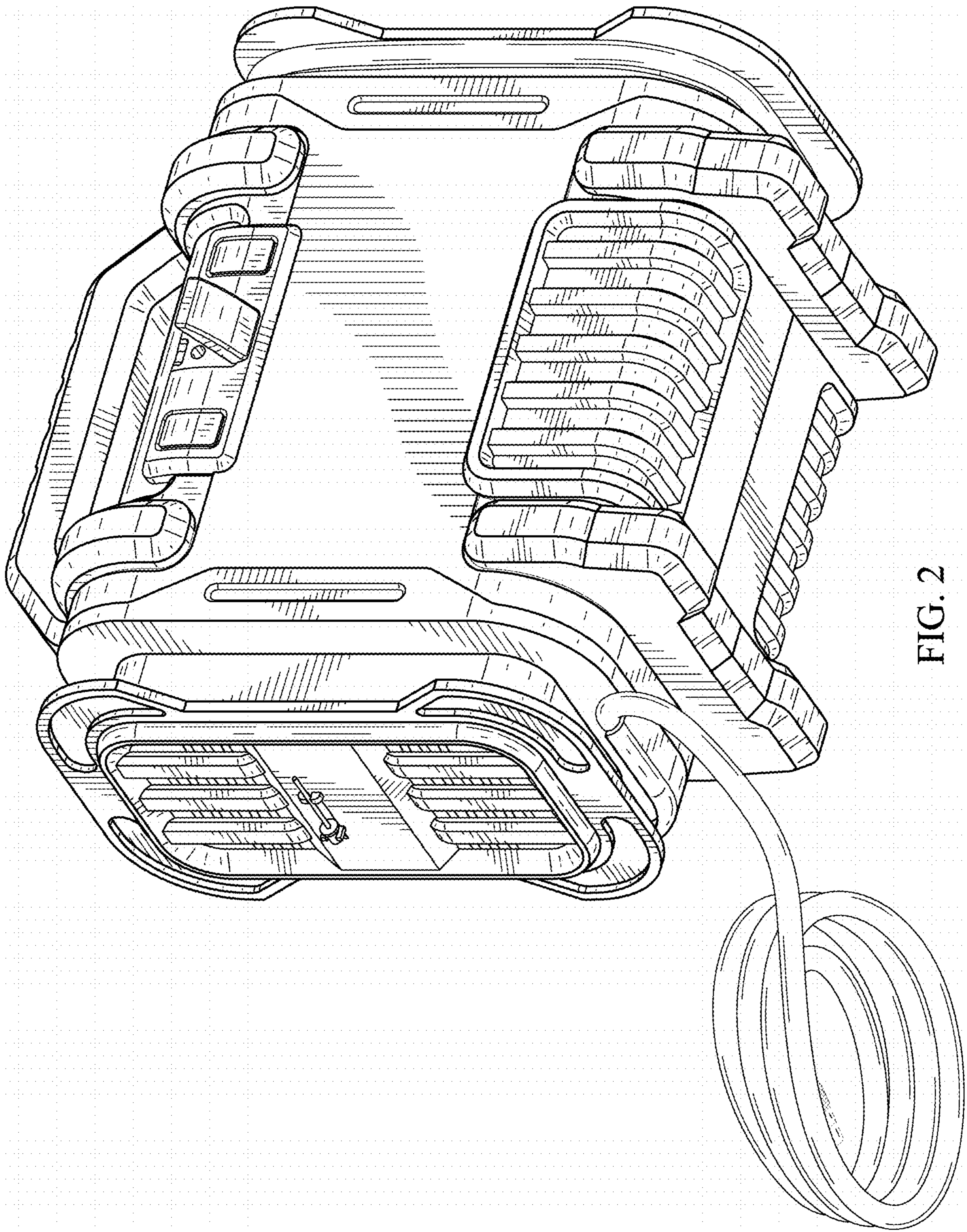


FIG. 2

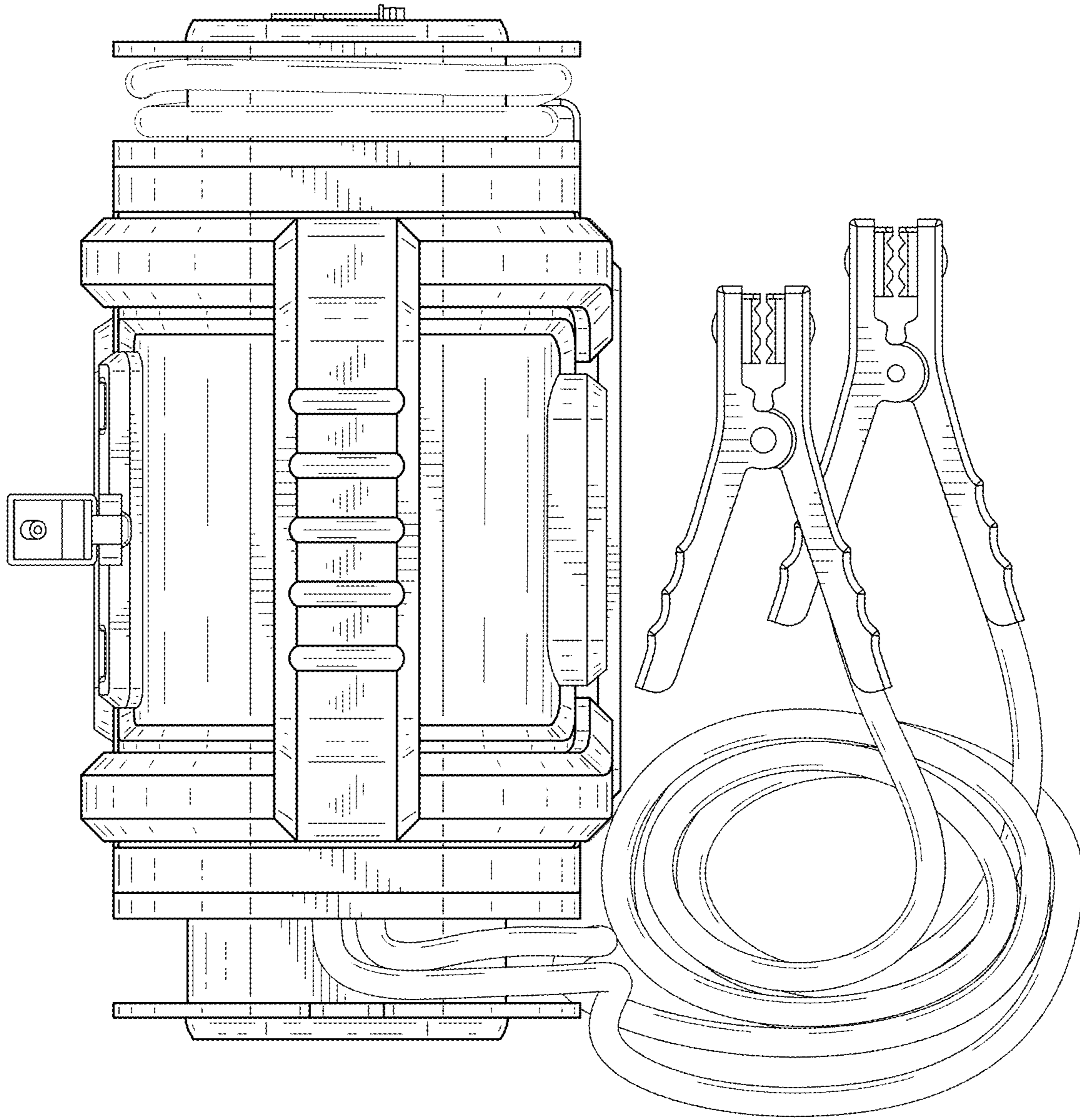


FIG. 3

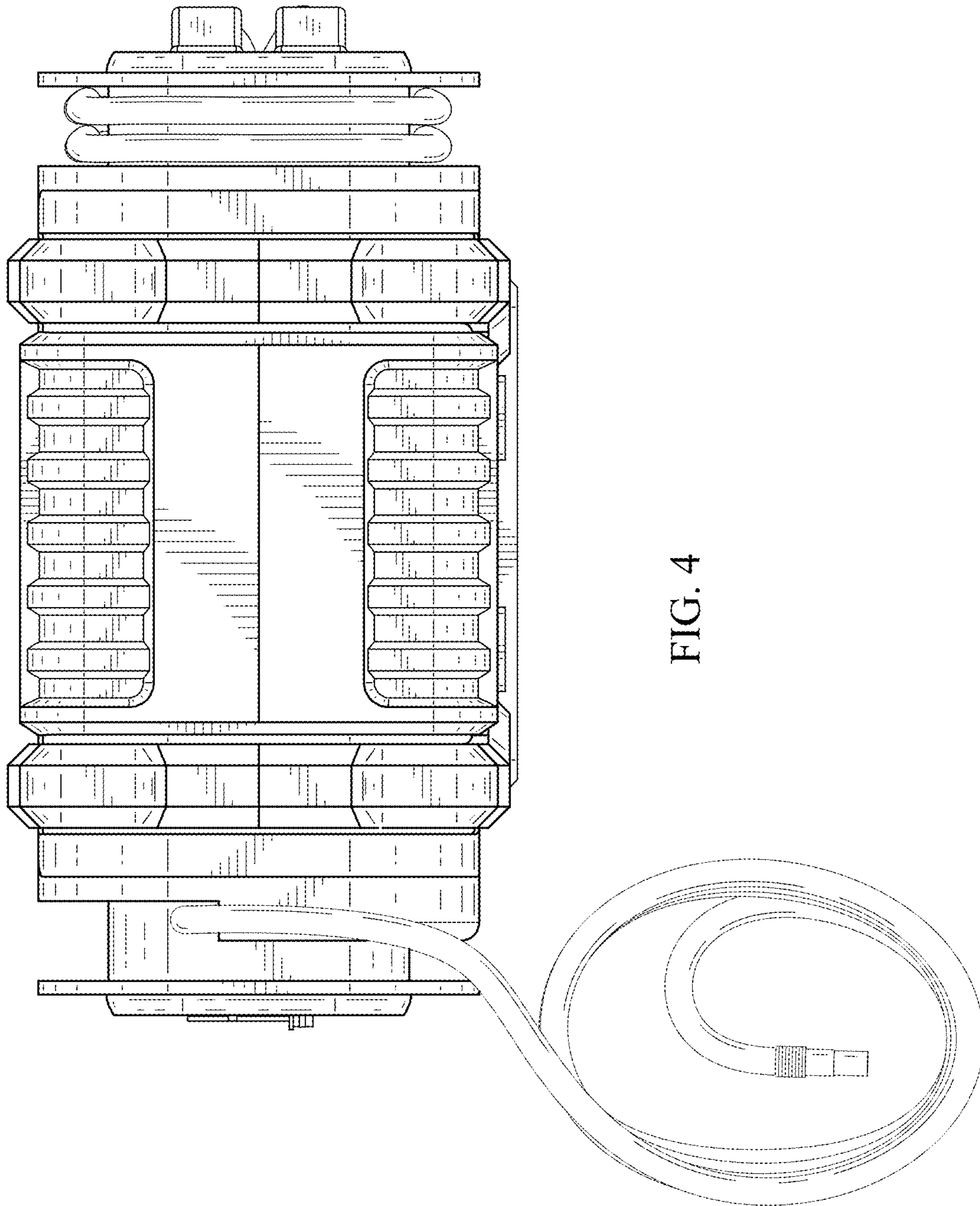


FIG. 4

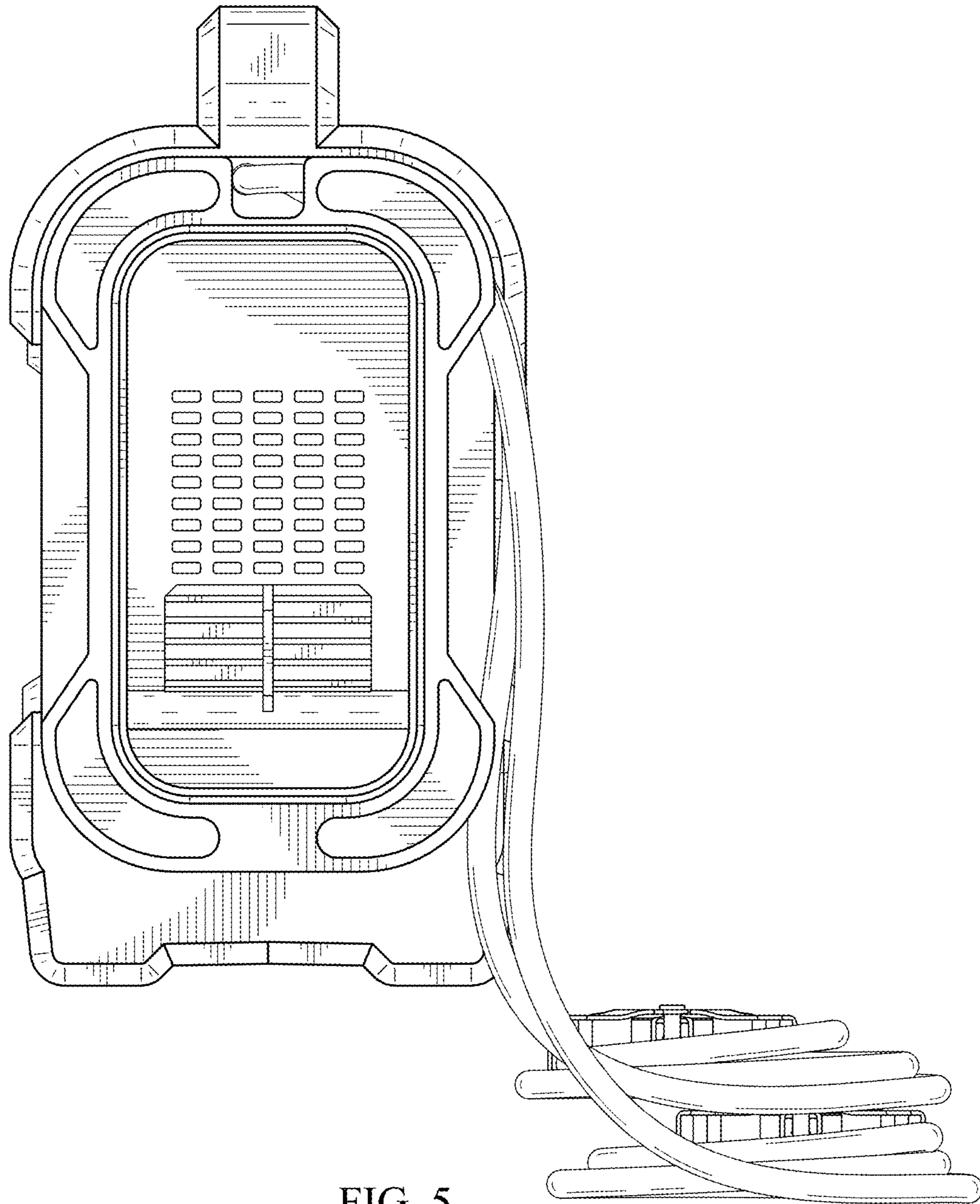


FIG. 5

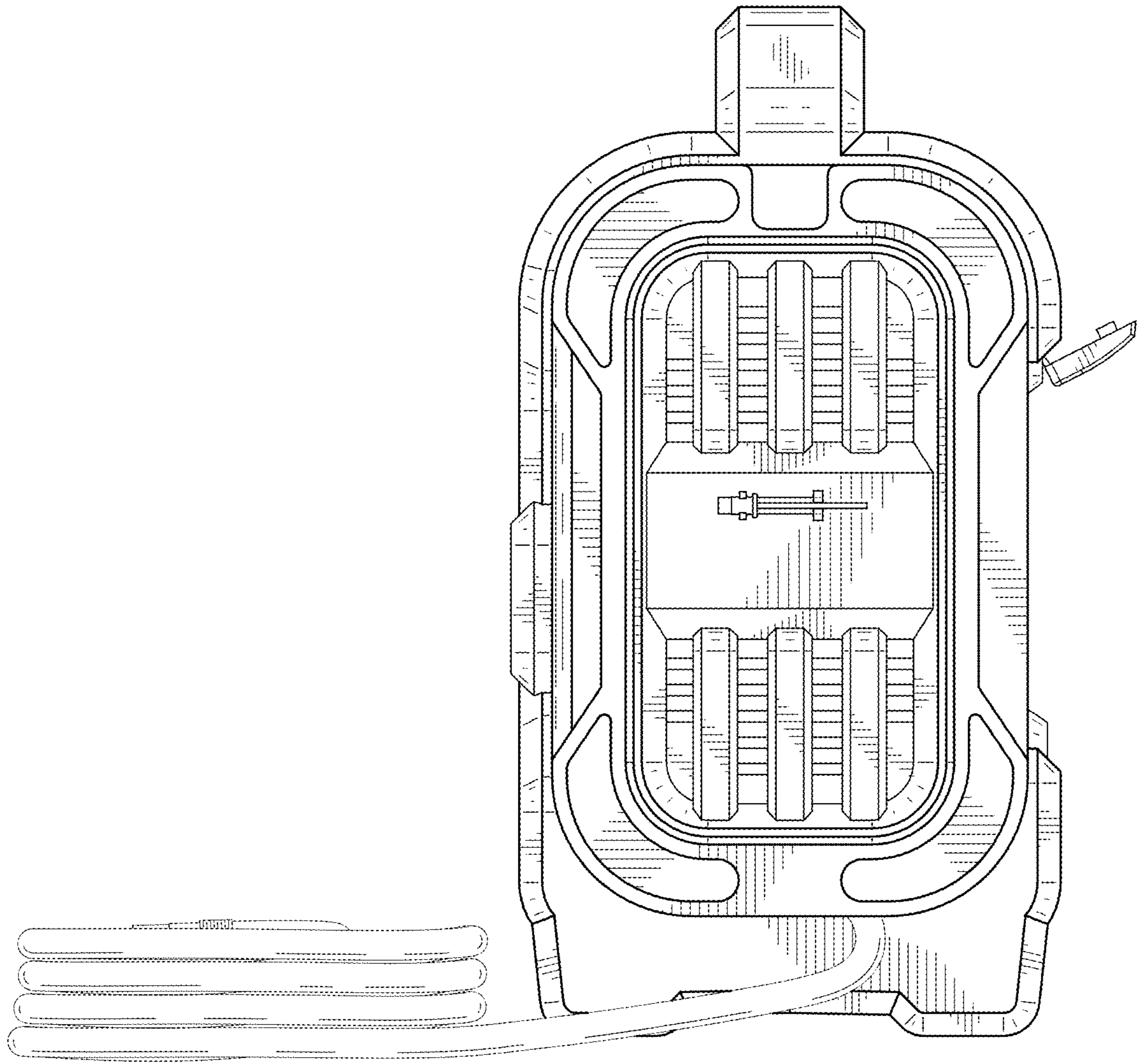


FIG. 6

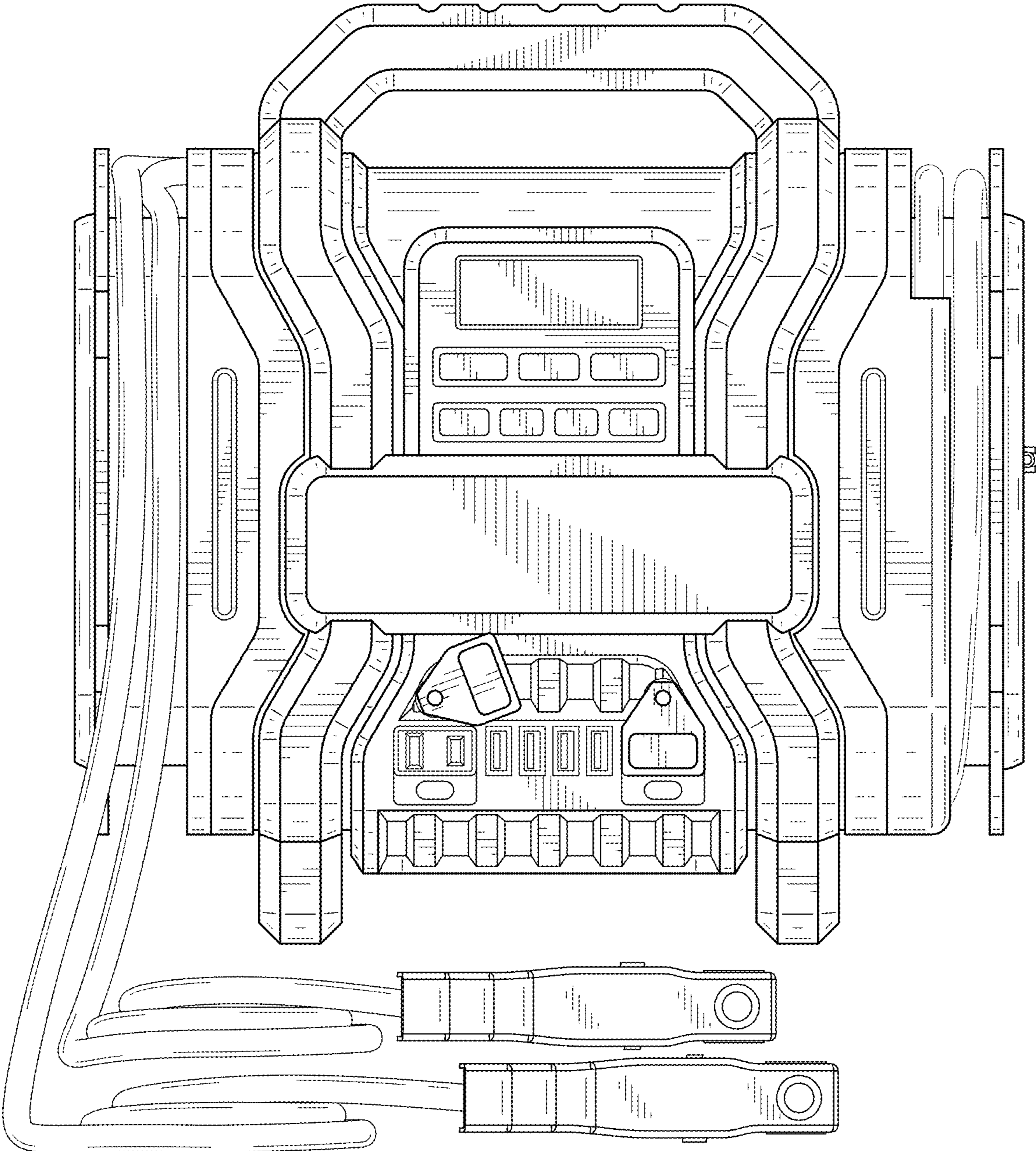


FIG. 7

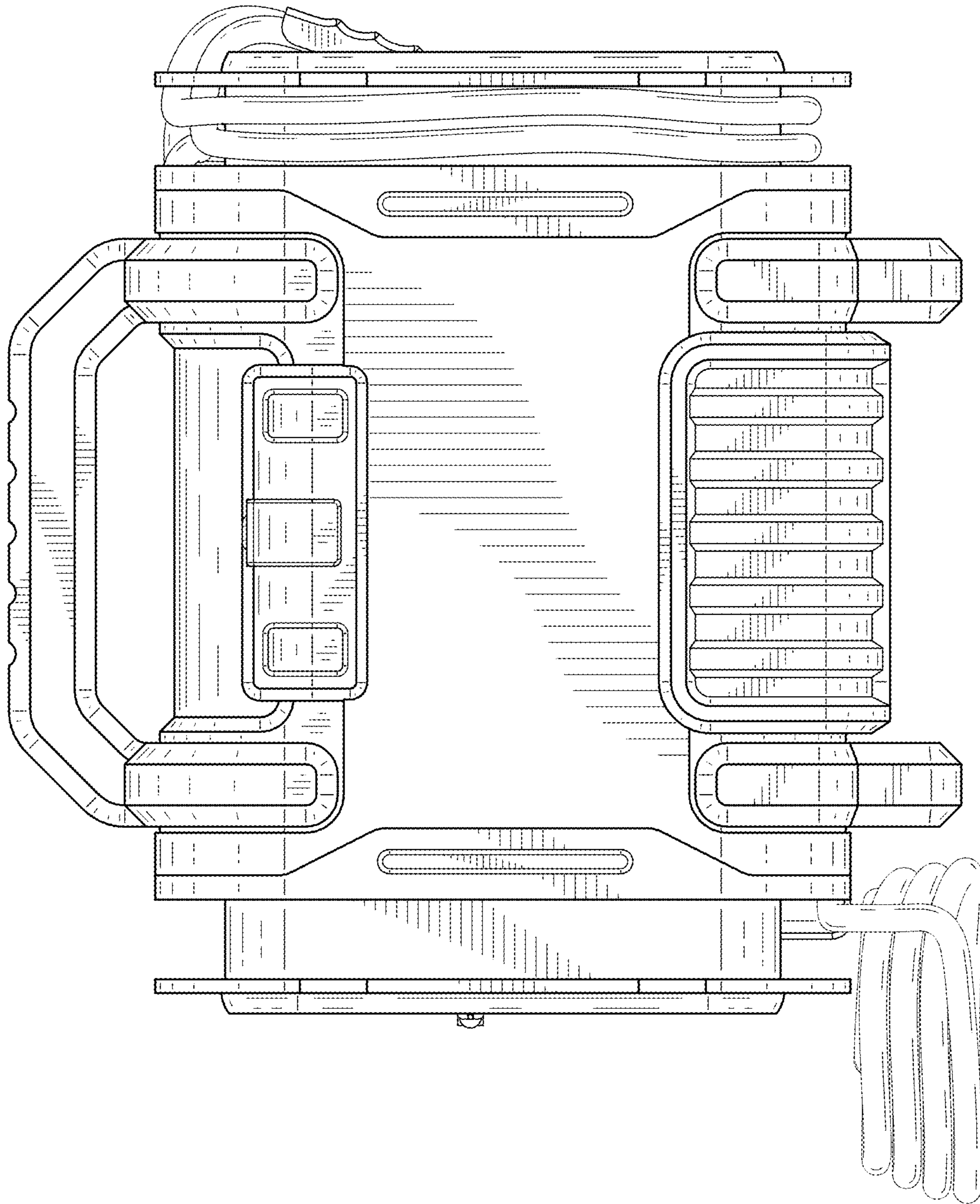


FIG. 8