

US00D935391S

(12) **United States Design Patent** (10) **Patent No.:** **US D935,391 S**
McCool et al. (45) **Date of Patent:** **** Nov. 9, 2021**

(54) **CHARGING SYSTEM**

(71) Applicant: **HEVO, INC.**, Brooklyn, NY (US)
(72) Inventors: **Jeremy McCool**, New York, NY (US);
Umer Anwer, Niagara Falls (CA);
Dhaval Palsana, Jersey City, NJ (US);
Kunal Kamle, Jersey City, NJ (US);
Seunghoon Jeong, New York, NY
(US); **Shyqyri Hoxha**, New York, NY
(US)

(73) Assignee: **HEVO, INC.**, Brooklyn, NY (US)

(**) Term: **15 Years**

(21) Appl. No.: **29/670,387**

(22) Filed: **Nov. 15, 2018**

(51) **LOC (13) Cl.** **13-02**

(52) **U.S. Cl.**
USPC **D13/107**

(58) **Field of Classification Search**
USPC D13/103, 107-110, 118, 119, 146, 147,
D13/153, 155, 184, 199, 154; D32/31;
D8/356, 358
CPC Y02E 60/12; H02J 7/025; H02J 7/0042;
H02J 7/0044; H02J 7/0045; H02J 7/0003;
H02J 7/0027; H02J 7/0013; H02J 7/0054;
H02J 7/00; H02J 2001/008; H02J 3/32;
H02J 3/008; H01F 38/14; H01R 13/6675;
H01M 2/1022; H01M 2/1055; H01M
10/44; H01M 10/46; H01M 10/425; B60L
11/182; B60L 11/1809; B60L 11/1861;
B60R 16/03; H04R 1/10
See application file for complete search history.

(56) **References Cited**

U.S. PATENT DOCUMENTS

D62,812 S 8/1923 Beach
D103,668 S 3/1937 Case

D155,246 S 9/1949 Von Miklos
D244,368 S 5/1977 Dean
D493,769 S 8/2004 Kessler et al.
D529,795 S 10/2006 Kragtwijk
D611,898 S * 3/2010 Yang D13/108
D636,724 S * 4/2011 Nomi D13/108
D667,784 S * 9/2012 Choi D13/102

(Continued)

OTHER PUBLICATIONS

Web.archive.org: Hevo Power. Publish date of Sep. 29, 2017.
Retrieved from the internet at <web.archive.org/web/20170929043811/
http://hevopower.com/>, Dec. 31, 2020. 1 page. (Year: 2017).*

(Continued)

Primary Examiner — Christy Nemeth

(74) *Attorney, Agent, or Firm* — Bookoff McAndrews,
PLLC

(57) **CLAIM**

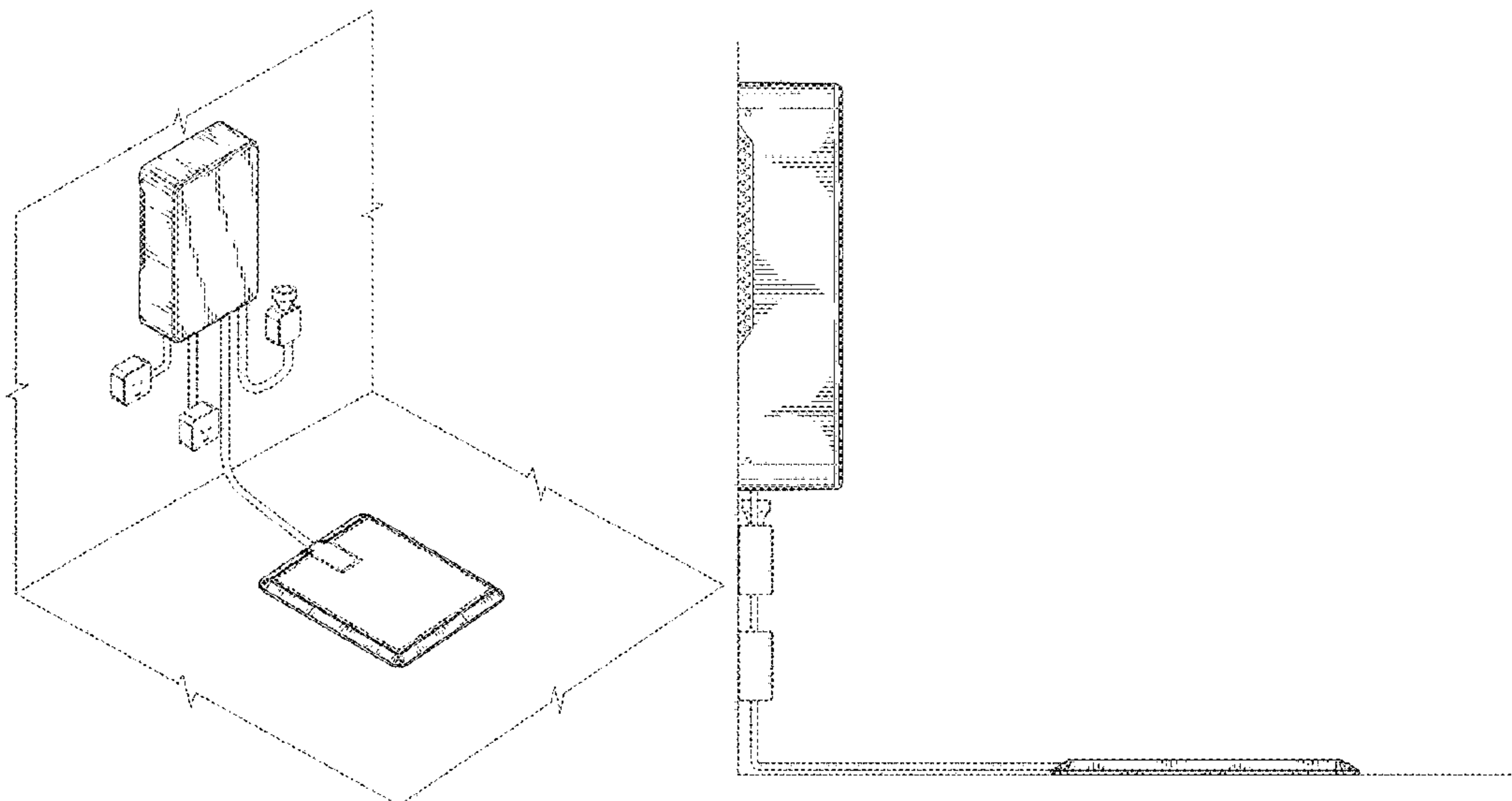
The ornamental design for a charging system, as shown and described.

DESCRIPTION

FIG. 1 is an isometric view of a charging system.
FIG. 2 is a front view of the charging system of FIG. 1.
FIG. 3 is a left side view of the charging system of FIG. 1.
FIG. 4 is a right side view of the charging system of FIG. 1.
FIG. 5 is a top view of the charging system of FIG. 1; and,
FIG. 6 is an enlarged isometric view of the upper element of
the charging system of FIG. 1, shown separately to show
aspects of the design that may not be apparent in the other
views.

The broken lines in the drawings illustrate portions of the
charging system and environmental subject matter that form
no part of the claimed design.

1 Claim, 6 Drawing Sheets



(56)

References Cited

U.S. PATENT DOCUMENTS

D709,449 S * 7/2014 Oba D13/110
D729,163 S * 5/2015 Meyer D13/123
D733,467 S 7/2015 Rodriguez
D744,948 S 12/2015 Pronk
D745,412 S 12/2015 Hamui
D746,677 S 1/2016 Candelaria
D747,190 S 1/2016 DeLaGrange
D758,303 S 6/2016 Walker
D790,259 S 6/2017 Rodriguez
D813,810 S 3/2018 McCool et al.
D817,270 S * 5/2018 Kim D13/108
D830,970 S * 10/2018 Qiu D13/108
D840,931 S * 2/2019 Nishimura D13/110
D852,738 S * 7/2019 Backett D13/108
D877,068 S * 3/2020 Wang D13/108
D883,204 S * 5/2020 Narayana Bhat D13/108
D889,405 S * 7/2020 McCool D13/110
D893,423 S * 8/2020 Nishimura D13/110
2018/0111492 A1 * 4/2018 McCool B60L 53/12

OTHER PUBLICATIONS

YouTube.com: Global Wireless Electrical Vehicle Charging System . . . Publish date of Nov. 17, 2017. Retrieved from the internet at <<https://www.youtube.com/watch?v=JxWPerDiFVw>>, Dec. 31, 2020. 1 page. (Year: 2017).*

YouTube.com: Wireless Charging for Electrical Vehicles. Publish date of Nov. 16, 2016. Retrieved from the internet at <<https://www.youtube.com/watch?v=fJoQTIvGVEU/>>, Dec. 31, 2020. 1 page. (Year: 2016).*

* cited by examiner

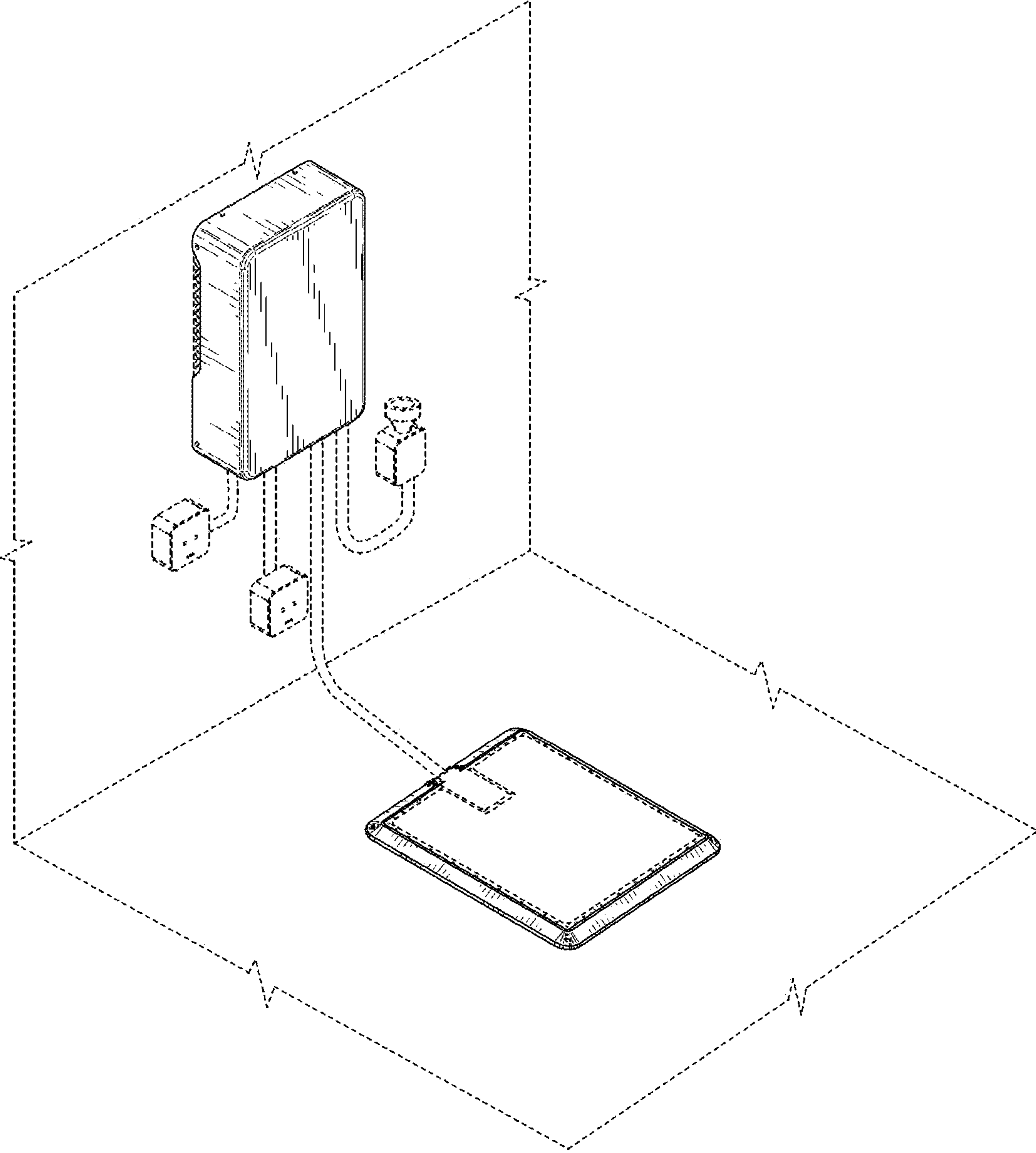
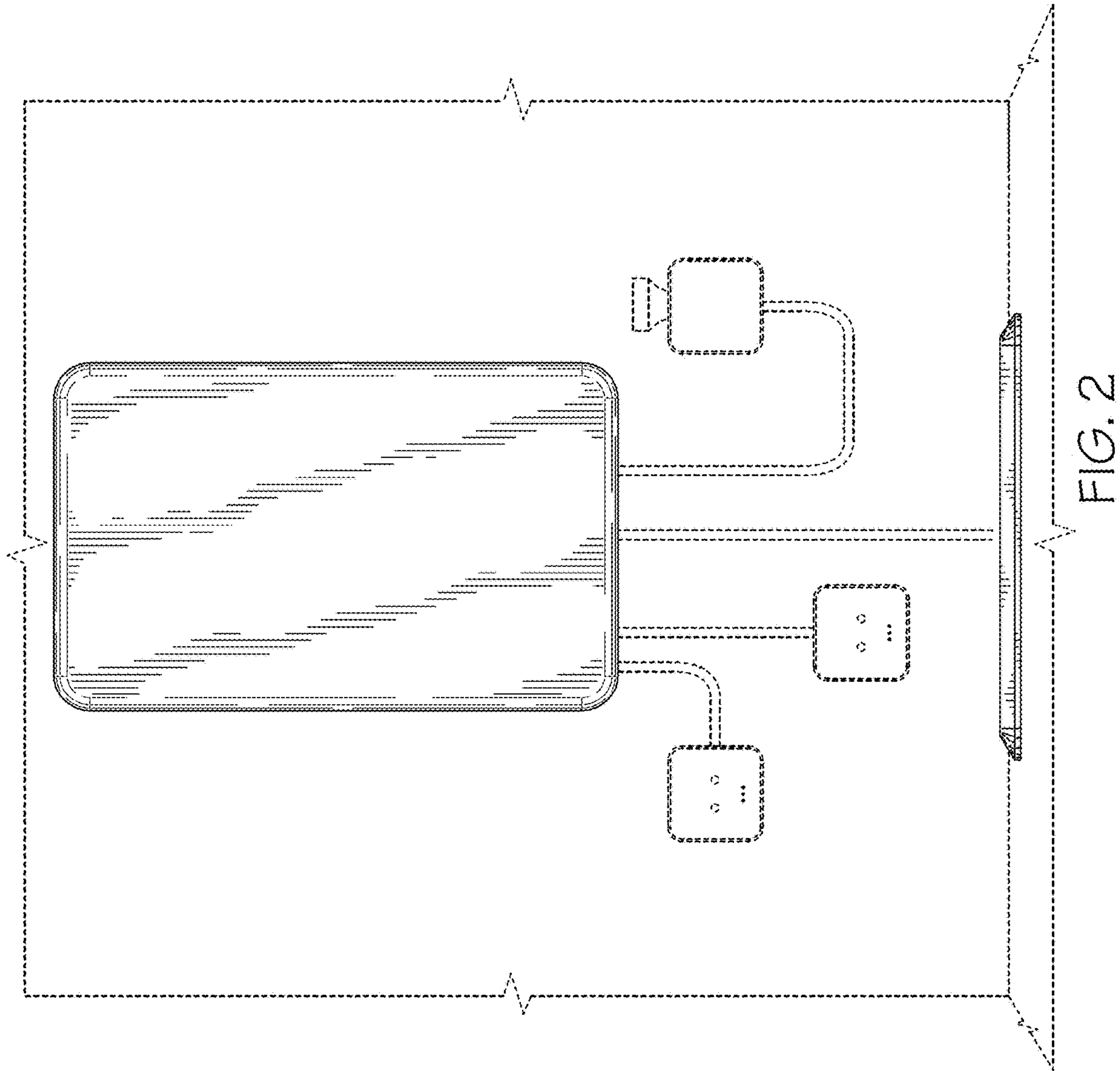


FIG. 1



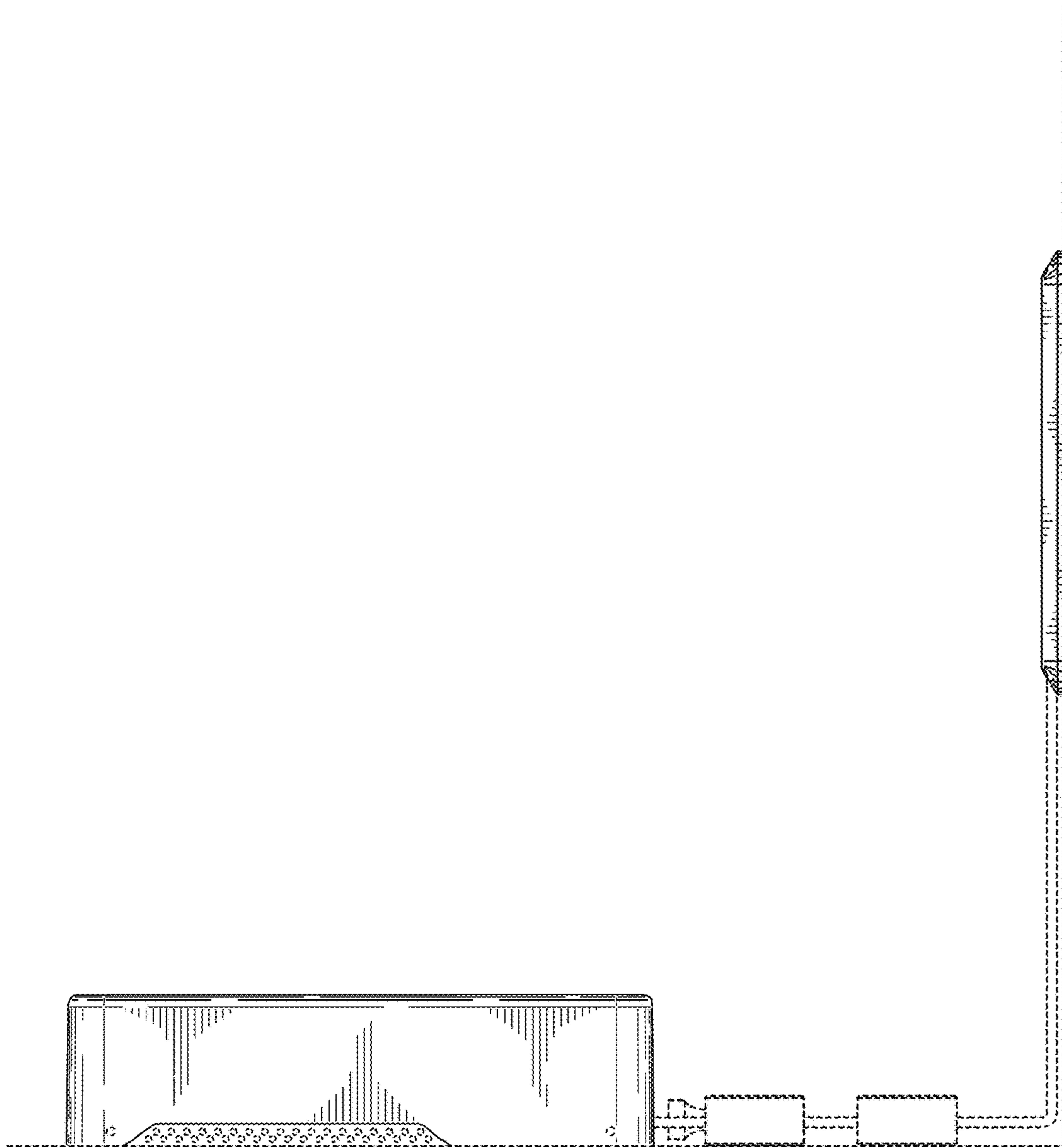


FIG. 3

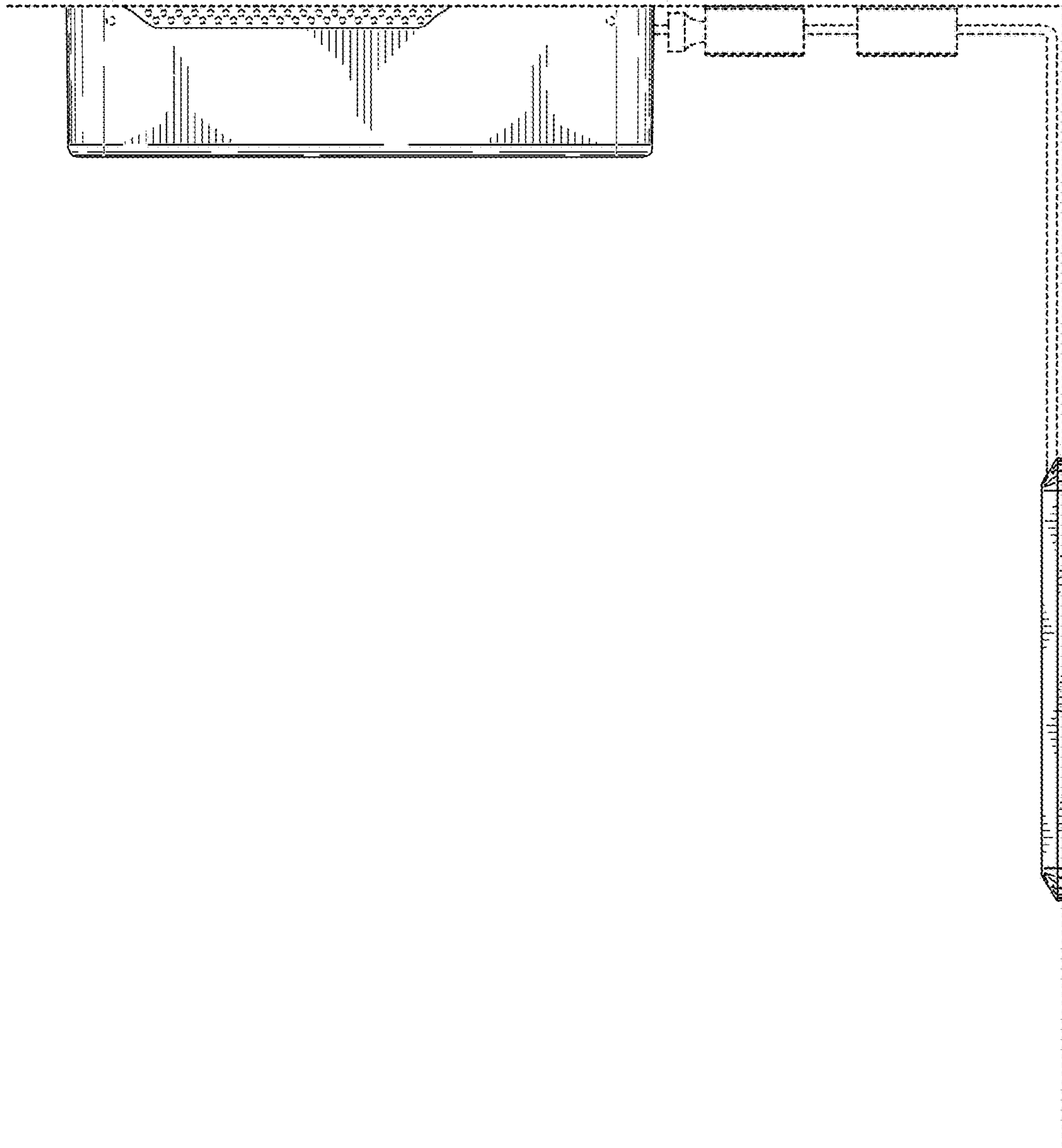


FIG. 4

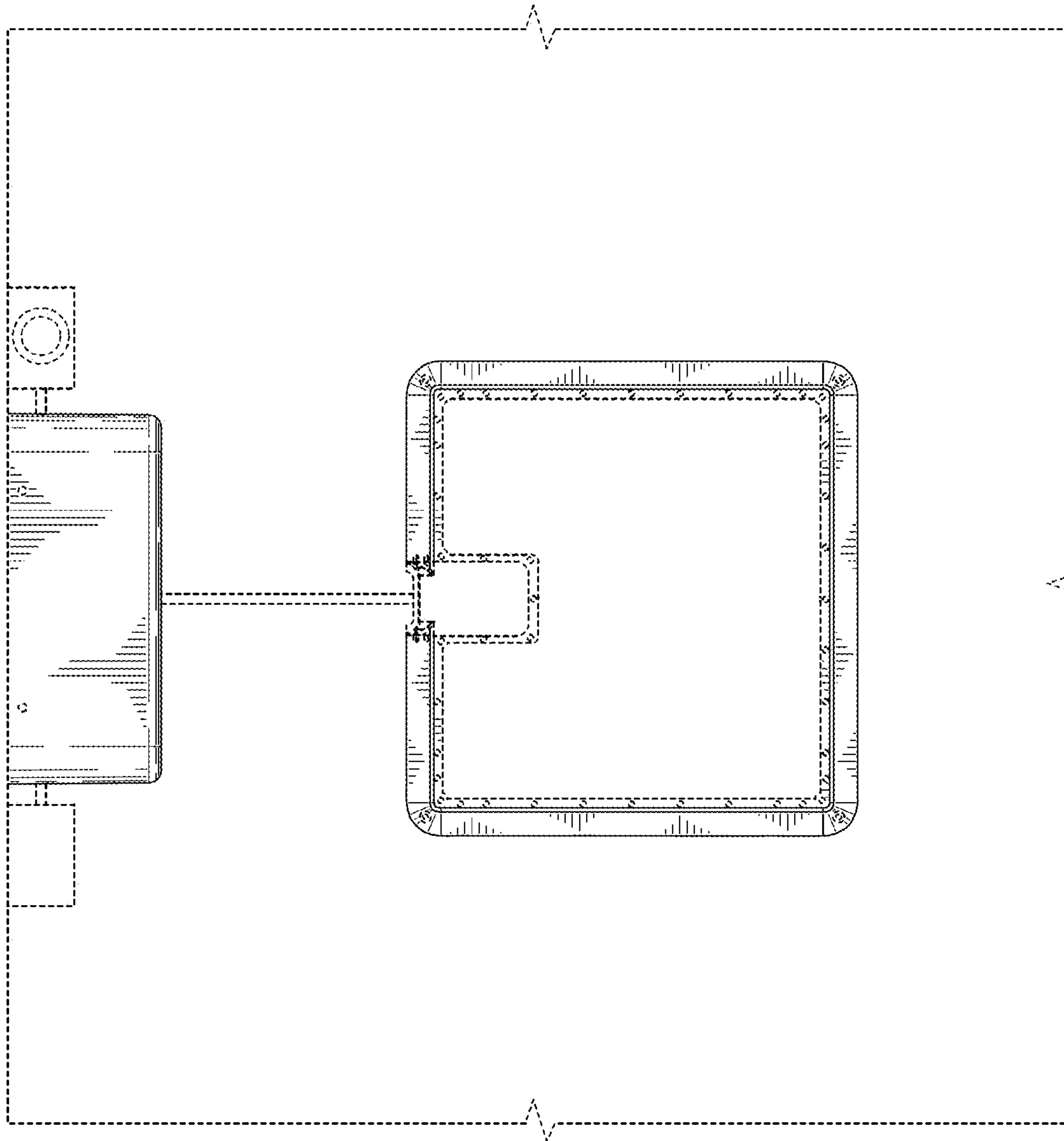


FIG. 5

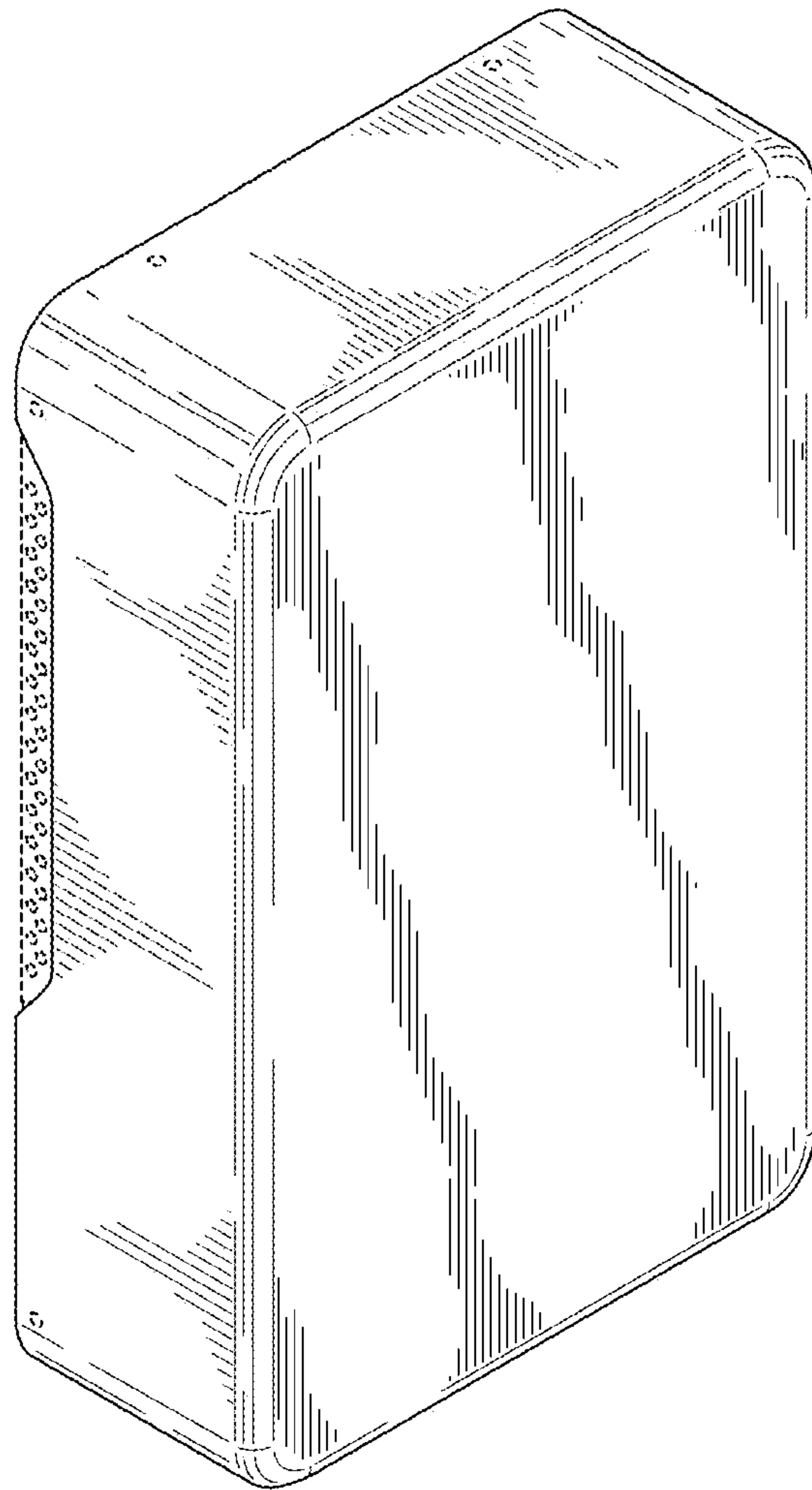


FIG. 6