



US00D935390S

(12) **United States Design Patent** (10) **Patent No.:** **US D935,390 S**  
**Kumarswamy et al.** (45) **Date of Patent:** **\*\* Nov. 9, 2021**

(54) **MOBILE BATTERY**

FOREIGN PATENT DOCUMENTS

(71) Applicant: **SCHNEIDER ELECTRIC IT CORPORATION**, Foxboro, MA (US)

IN 310788-0001 \* 1/2020

(72) Inventors: **Chandan Kumar Hosapete Kumarswamy**, Bangalore (IN); **Mark William Kaloudis**, Providence, RI (US); **Mohan Narasaiah**, Bangalore (IN)

OTHER PUBLICATIONS

“APC Charge Mobile Battery Fact Sheet V8”, first available Mar. 6, 2020, Schneider Electric SE. APC.com [https://download.schneider-electric.com/files?p\_File\_Name=APC+Charge+Mobile+Battery+Fact+Sheet+V8.pdf&p\_Doc\_Ref=SPD\_CENZ-BB9S46\_EN&p\_enDocType=Brochure] (Year: 2020).\*

(73) Assignee: **SCHNEIDER ELECTRIC IT CORPORATION**, Foxboro, MA (US)

\* cited by examiner

(\*\*) Term: **15 Years**

*Primary Examiner* — Rosemary K Tarcza

*Assistant Examiner* — Seth David Kumpf

(21) Appl. No.: **29/708,027**

(74) *Attorney, Agent, or Firm* — Lando & Anastasi, LLP

(22) Filed: **Oct. 2, 2019**

(51) **LOC (13) Cl.** ..... **13-02**

(57) **CLAIM**

(52) **U.S. Cl.**  
USPC ..... **D13/103**

The ornamental design for a mobile battery, as shown and described.

(58) **Field of Classification Search**  
USPC ..... D13/103, 199, 107, 108, 110, 184, 104,  
D13/105, 106, 118, 119, 123, 133;  
D15/9; D14/432, 434  
CPC ..... H02J 1/122; H02J 7/0045; H02J 7/0078;  
H02J 7/00714; H02J 7/00716; H02J  
7/0025; H02J 7/0027; H02J 7/14; H02J  
7/1461; H02M 7/003; H02M 7/42

**DESCRIPTION**

See application file for complete search history.

FIG. 1 is a top, front, and right side perspective view of a mobile battery design of an embodiment of the present disclosure;

FIG. 2 is a bottom, back, and left side perspective view thereof;

FIG. 3 is a bottom, front, and left side perspective view thereof;

FIG. 4 is a top view thereof;

FIG. 5 is a bottom view thereof;

FIG. 6 is a right side elevational view thereof;

FIG. 7 is a left side elevational view thereof;

FIG. 8 is a front elevational view thereof; and,

FIG. 9 is a back elevational view thereof.

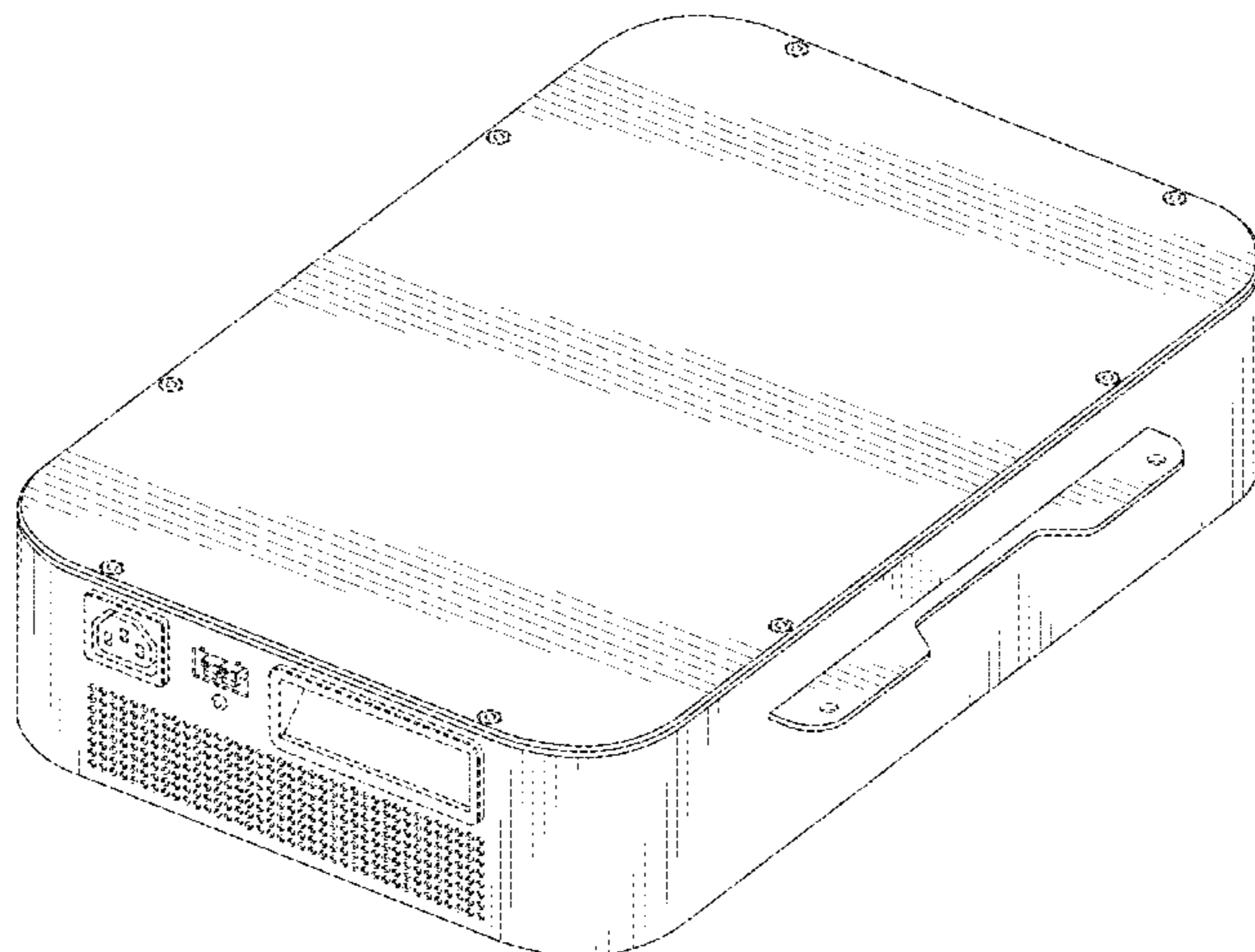
The broken lines shown in the drawings are for the purpose of illustrating portions of the mobile battery that form no part of the claimed design.

(56) **References Cited**

U.S. PATENT DOCUMENTS

D623,124 S *	9/2010	Nomi	.....	D13/103
D632,648 S *	2/2011	Yang	.....	D13/108
D654,852 S *	2/2012	Hansen	.....	D13/103
D654,856 S *	2/2012	Inskeep	.....	D13/107
D657,309 S *	4/2012	Robinson	.....	D13/107
D705,719 S *	5/2014	Wong	.....	D13/103
D714,214 S *	9/2014	Wikel	.....	D13/107
D733,043 S *	6/2015	Hasbrook	.....	D13/103
D767,486 S *	9/2016	Yu	.....	D13/103
D820,198 S *	6/2018	Smith	.....	D13/103
D835,580 S *	12/2018	Xiong	.....	D13/110

**1 Claim, 9 Drawing Sheets**



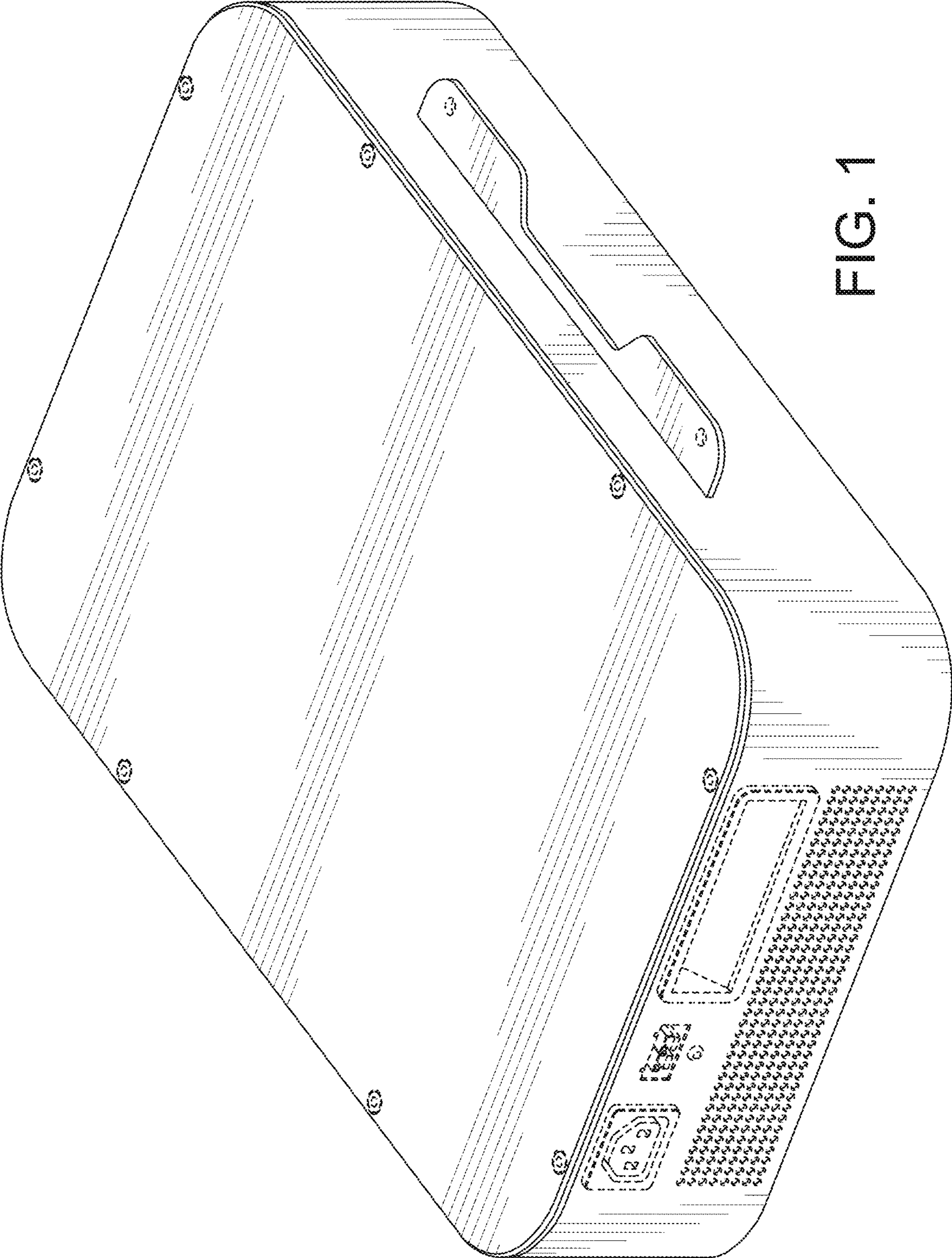


FIG. 1



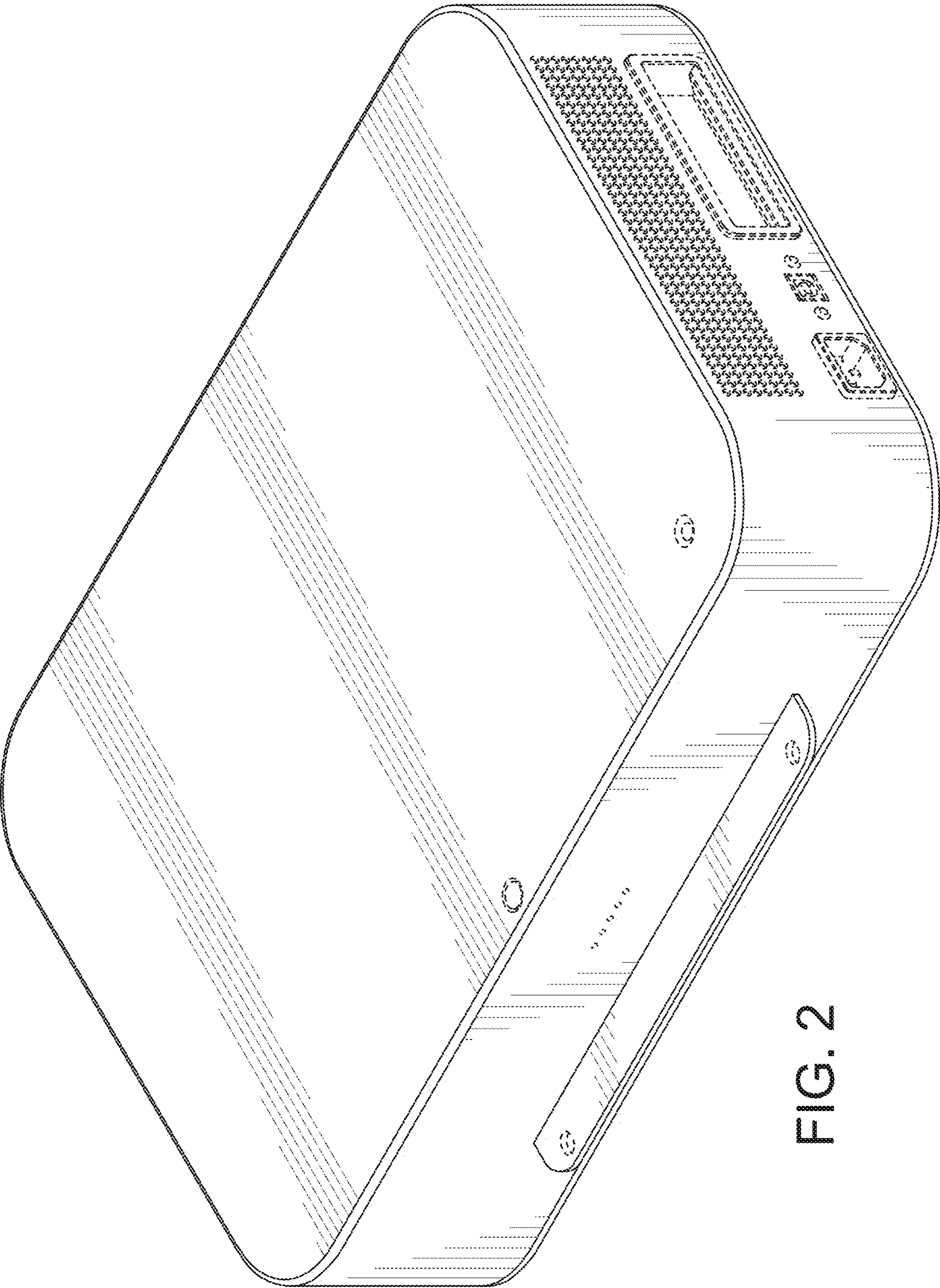


FIG. 2

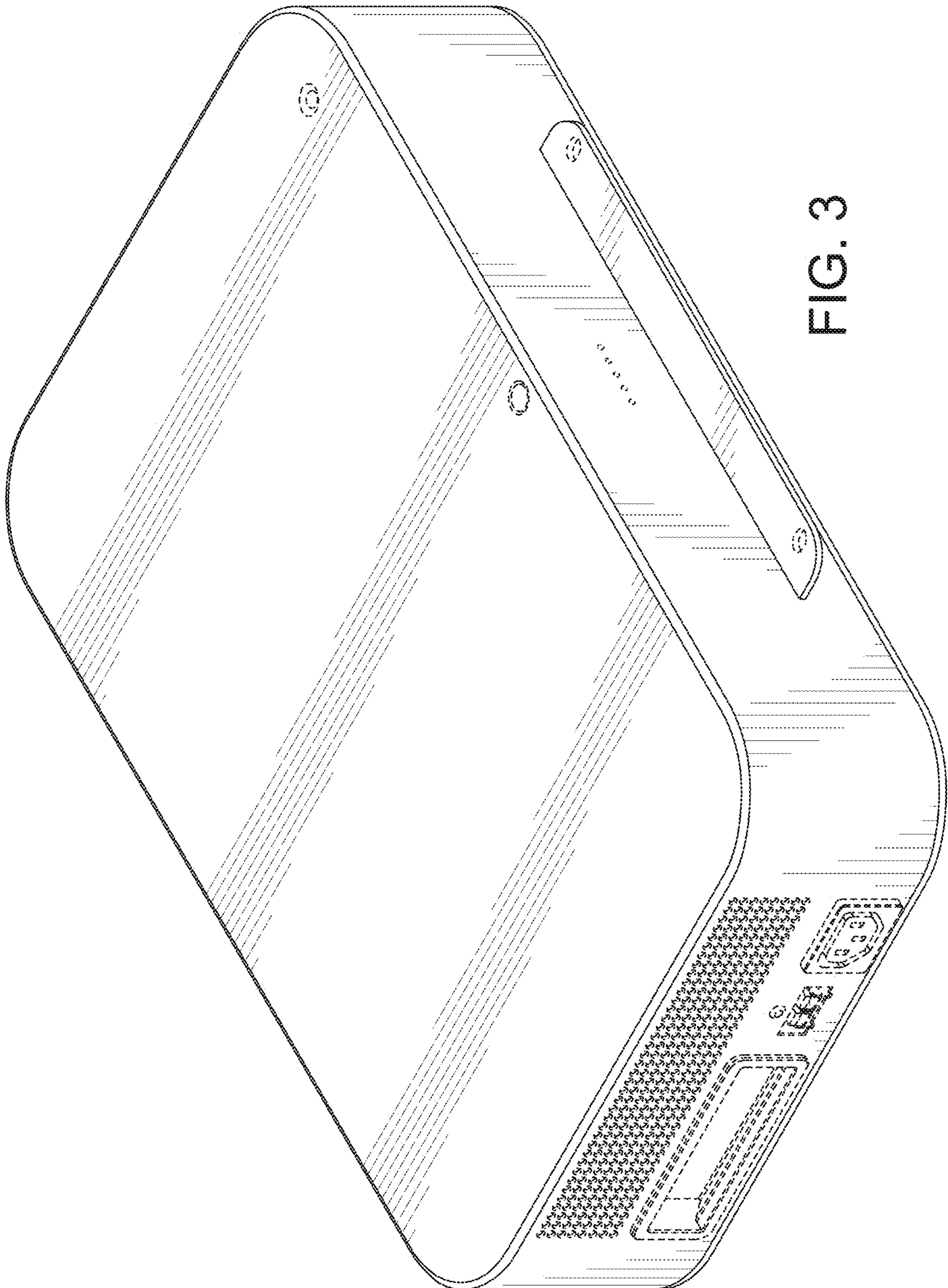


FIG. 3

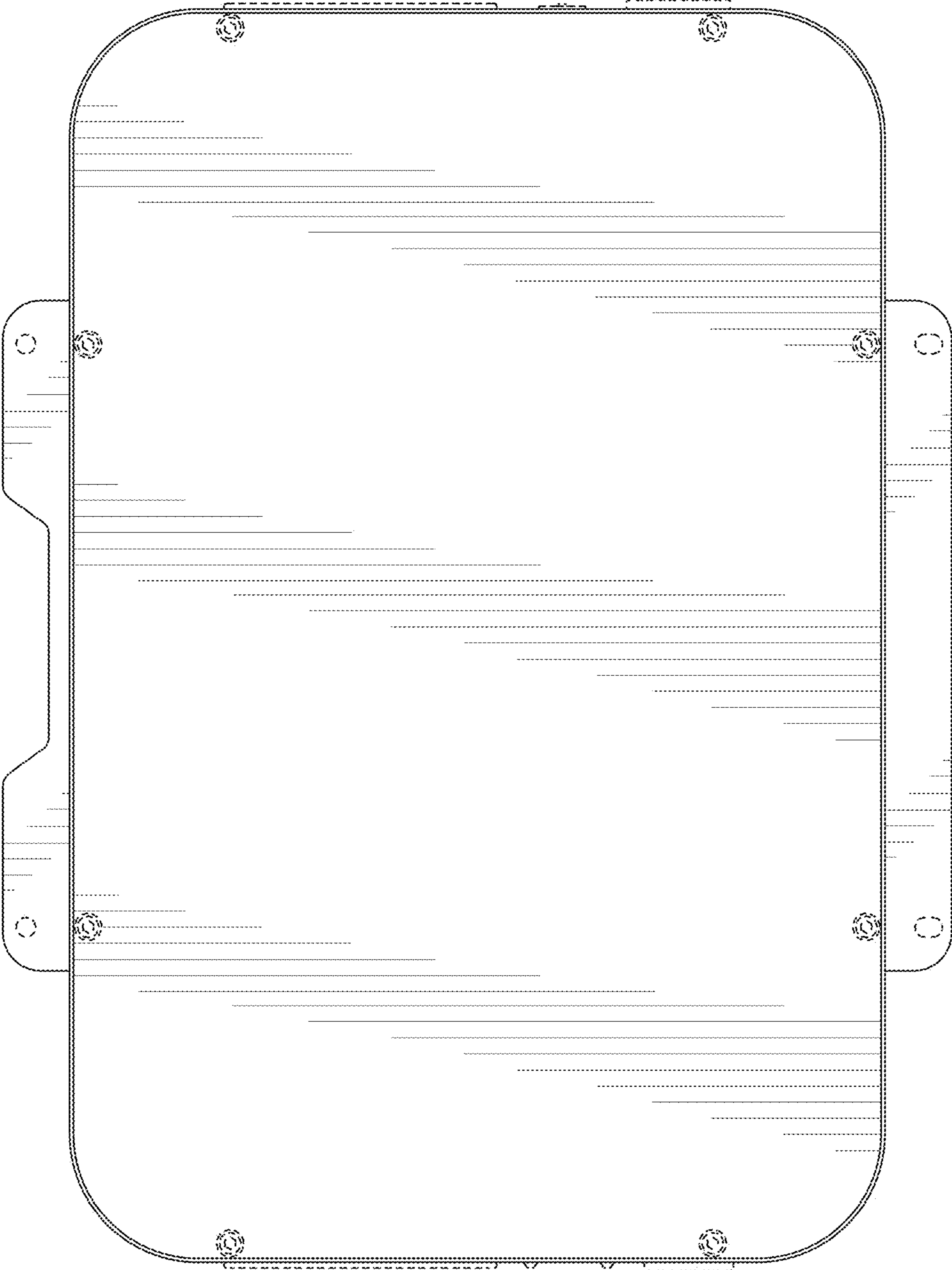


FIG. 4

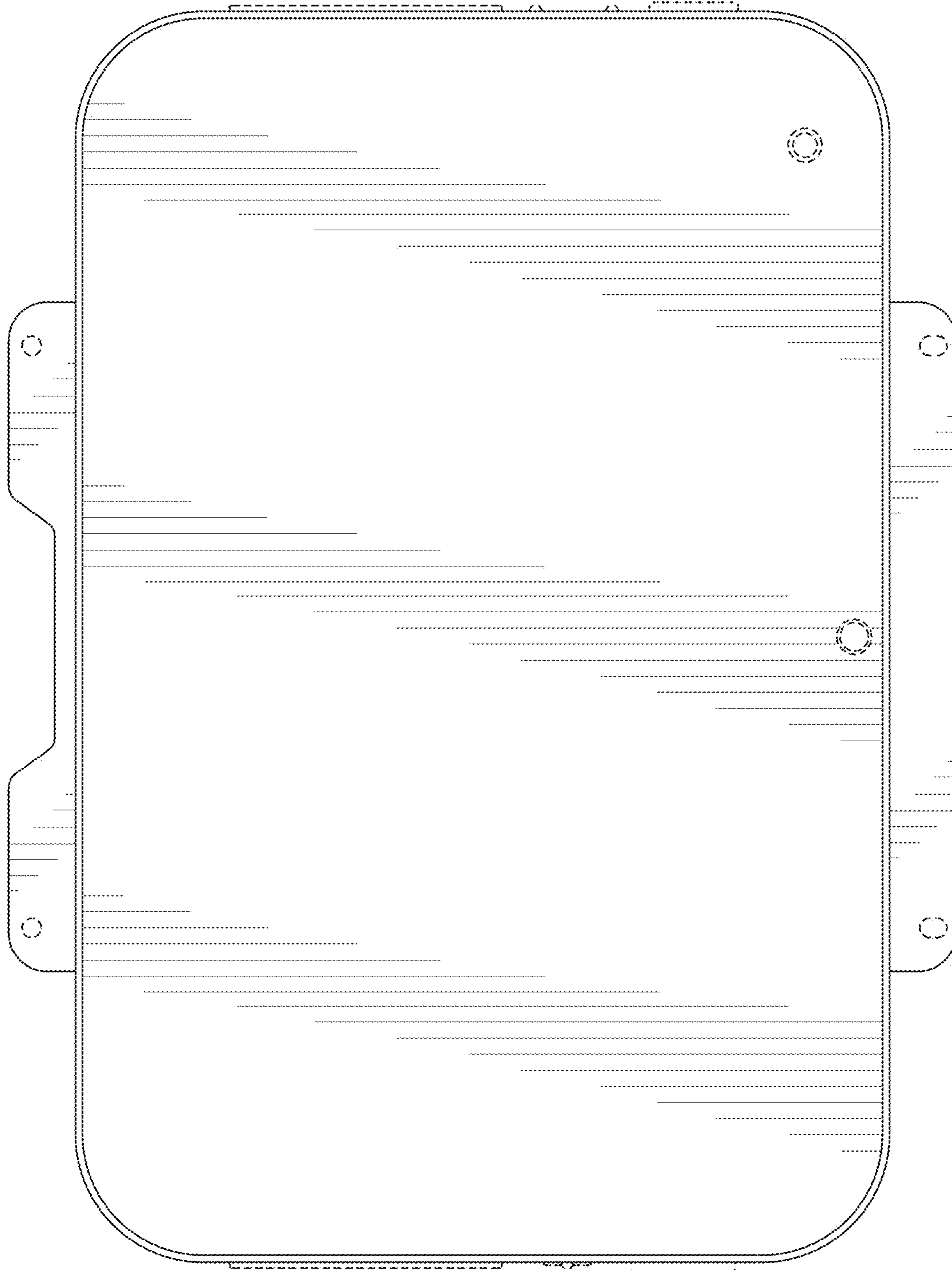


FIG. 5



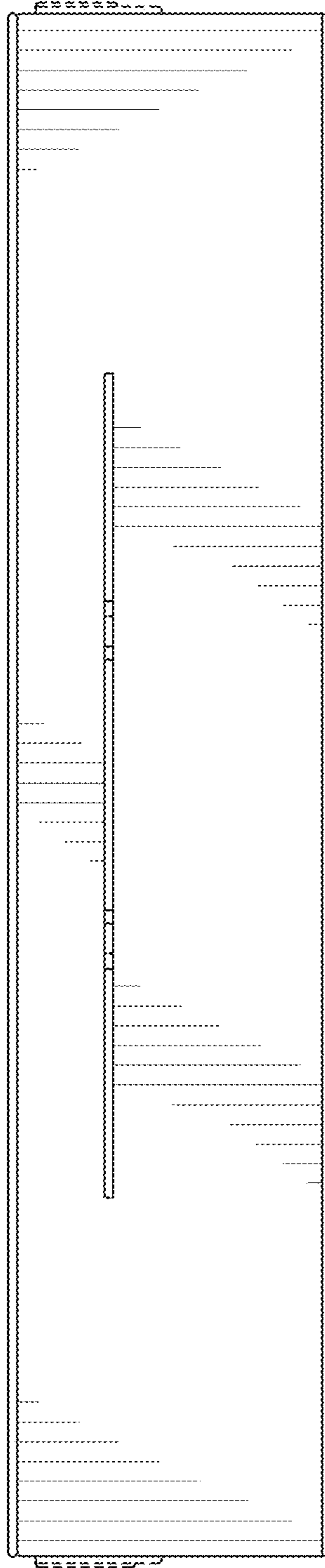


FIG. 6

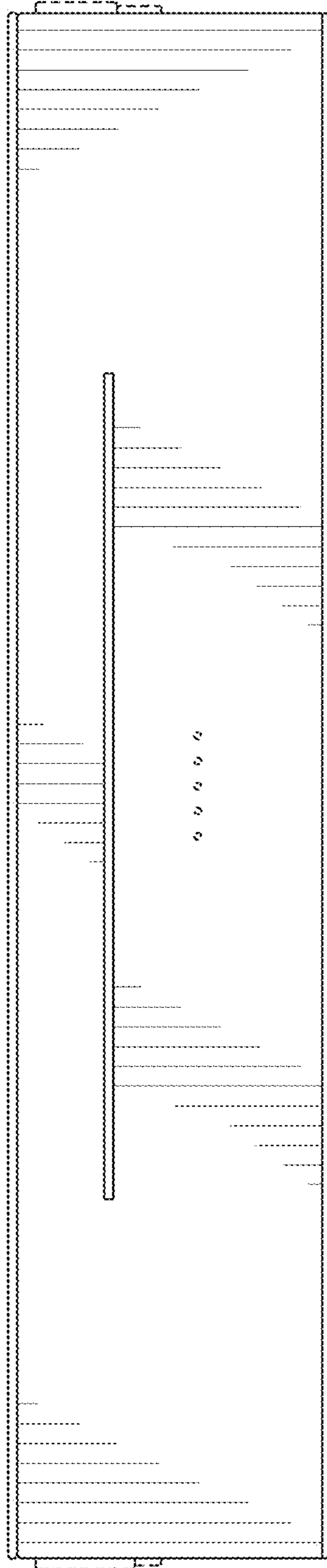


FIG. 7



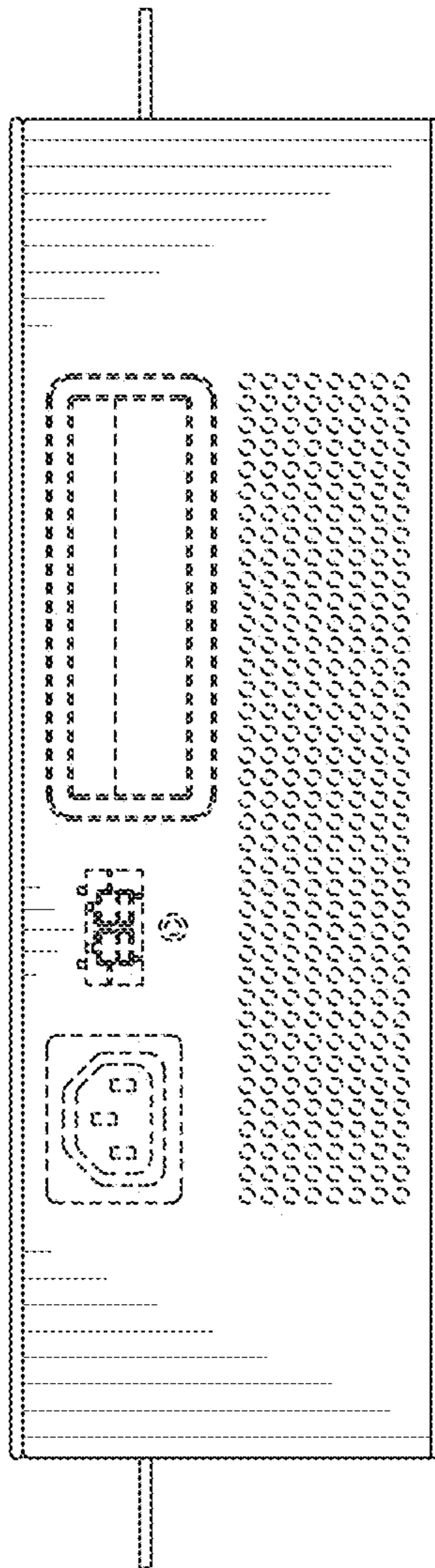


FIG. 8

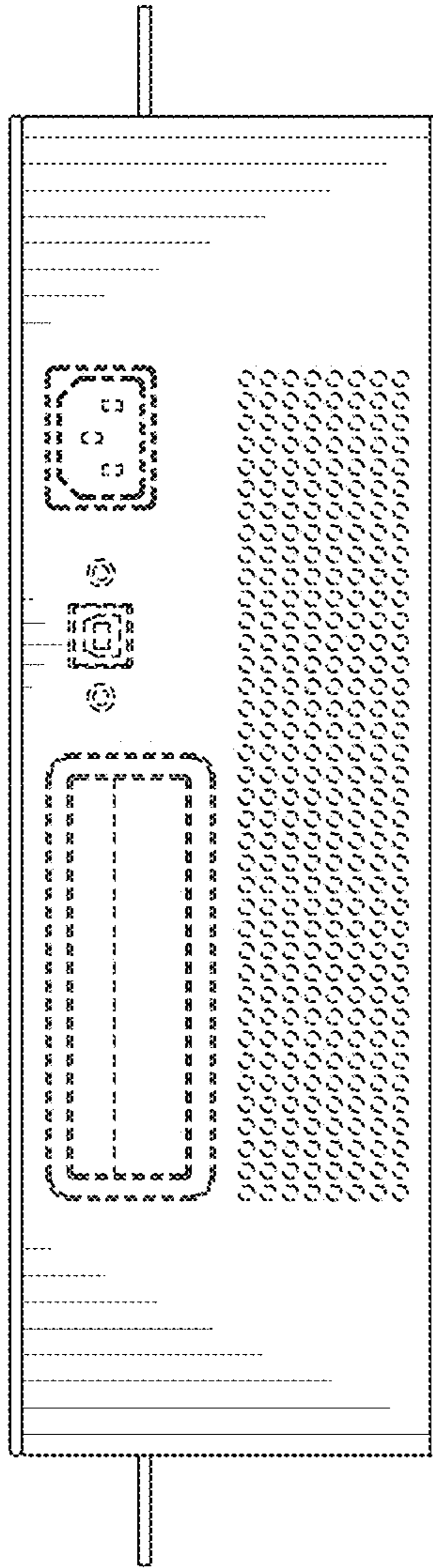


FIG. 9