



US00D935389S

(12) **United States Design Patent** (10) **Patent No.:** **US D935,389 S**
Park et al. (45) **Date of Patent:** **** Nov. 9, 2021**

(54) **BATTERY**
(71) Applicant: **LG Chem, Ltd.**, Seoul (KR)
(72) Inventors: **Hey Woong Park**, Daejeon (KR);
Wonhee Jeong, Daejeon (KR);
Seungdon Choi, Daejeon (KR)

D777,664 S * 1/2017 Park D13/103
D830,964 S * 10/2018 Aoyagi D13/103
D886,739 S * 6/2020 Kim D13/121
(Continued)

(73) Assignee: **LG Chem, Ltd.**
(**) Term: **15 Years**

OTHER PUBLICATIONS

LG Chem ready to do away with battery modules, published Nov. 30, 2020 on electrive.com, retrieved on Dec. 23, 2020, retrieved from the Internet URL: <https://www.electrive.com/2020/11/30/lg-chem-ready-to-do-away-with-battery-modules/>.*

(21) Appl. No.: **29/696,574**

Primary Examiner — Catherine S Posthauer

Assistant Examiner — Alison M Ofstun

(22) Filed: **Jun. 28, 2019**

(74) *Attorney, Agent, or Firm* — Lerner, David,
Littenberg, Krumholz & Mentlik, LLP

(30) **Foreign Application Priority Data**

(57) **CLAIM**

Dec. 28, 2018 (KR) 30-2018-0062484

The ornamental design for a battery, as shown and described.

(51) **LOC (13) Cl.** **13-02**

DESCRIPTION

(52) **U.S. Cl.**

USPC **D13/103**

(58) **Field of Classification Search**

USPC D13/102, 104–106, 110, 118–119, 184;
D14/432

CPC Y02E 60/12; Y02E 60/122; Y02E 60/124;
Y02E 60/50; H01M 2/02; H01M 2/022;
H01M 2/0202; H01M 2/0207; H01M
2/0212; H01M 2/1061; H01M 2/1022;
H01M 2/1055; H01M 2/1066; H01M
2/105; H01M 2/204; H01M 10/4257;
H01M 10/0436; H01M 10/48; H01M
10/0525; H01M 10/42

See application file for complete search history.

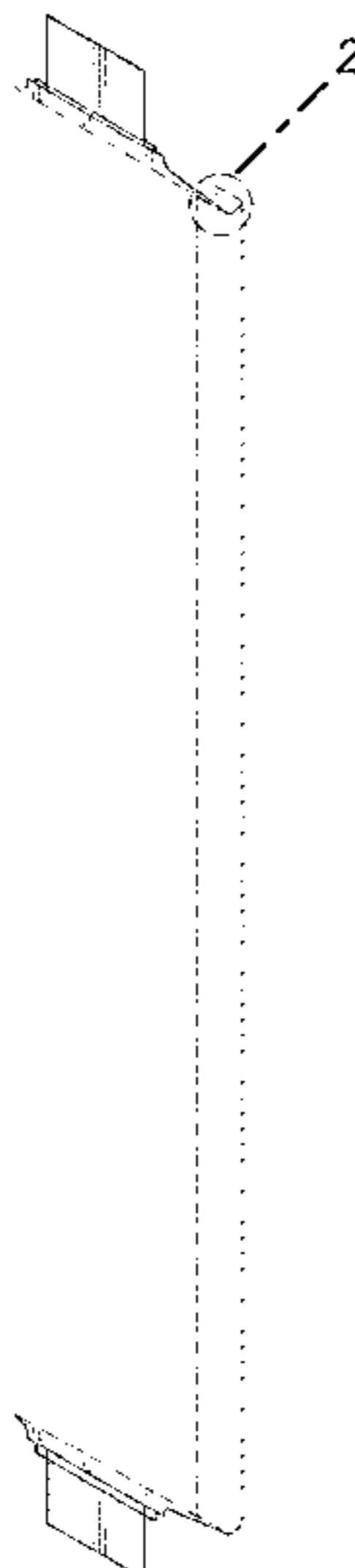
FIG. 1 is a front perspective view of a battery showing our new design;
FIG. 2 is an enlarged view thereof, taken from portion “2” shown in FIG. 1;
FIG. 3 is a front view thereof;
FIG. 4 is a rear view thereof;
FIG. 5 is a right side view thereof;
FIG. 6 is a left side view thereof;
FIG. 7 is a top view thereof;
FIG. 8 is an enlarged view thereof, taken from portion “8” shown in FIG. 7;
FIG. 9 is a bottom view thereof; and,
FIG. 10 is a rear perspective view thereof.
In the drawings, the evenly spaced broken lines illustrate portions of the article that form no part of the claimed design. The claimed design extends to the evenly spaced broken lines but does not include the evenly spaced broken lines. The dot-dash lines illustrate enlarged view indicators and form no part of the claimed design.

(56) **References Cited**

U.S. PATENT DOCUMENTS

D724,020 S * 3/2015 Kwon D13/103
D724,532 S * 3/2015 Kwon D13/103
D729,805 S * 5/2015 Bataillou D14/432
D768,568 S * 10/2016 Park D13/103

1 Claim, 4 Drawing Sheets



(56)

References Cited

U.S. PATENT DOCUMENTS

2005/0084749 A1* 4/2005 Hwang H01M 2/08
429/127
2005/0142439 A1* 6/2005 Lee H01M 2/0275
429/163
2009/0246620 A1* 10/2009 Lee H01M 2/34
429/176
2009/0297936 A1* 12/2009 Nemoto H01M 2/1061
429/152
2011/0135985 A1* 6/2011 Kim H01M 10/647
429/120
2013/0216896 A1* 8/2013 Kim H01M 2/0287
429/163

* cited by examiner

FIG. 1

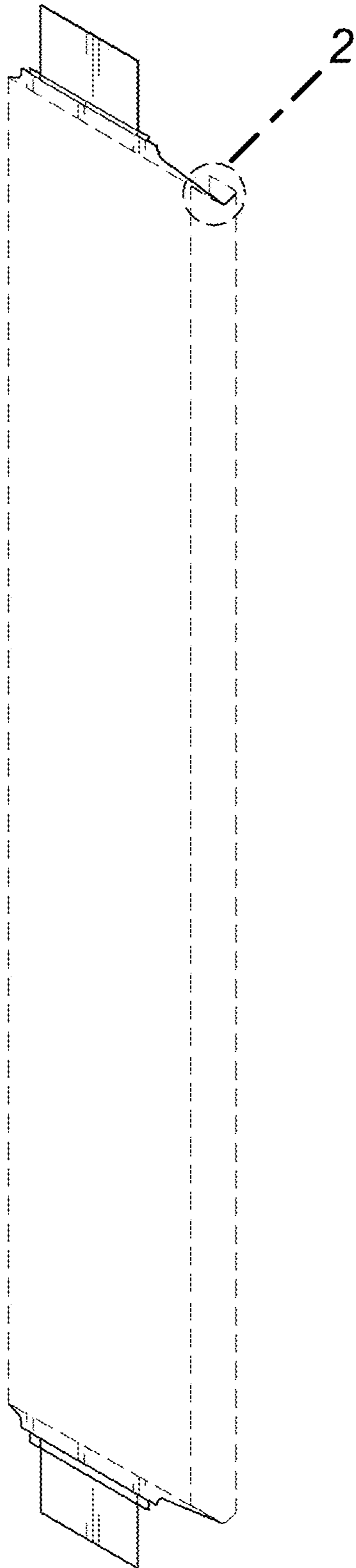


FIG. 2

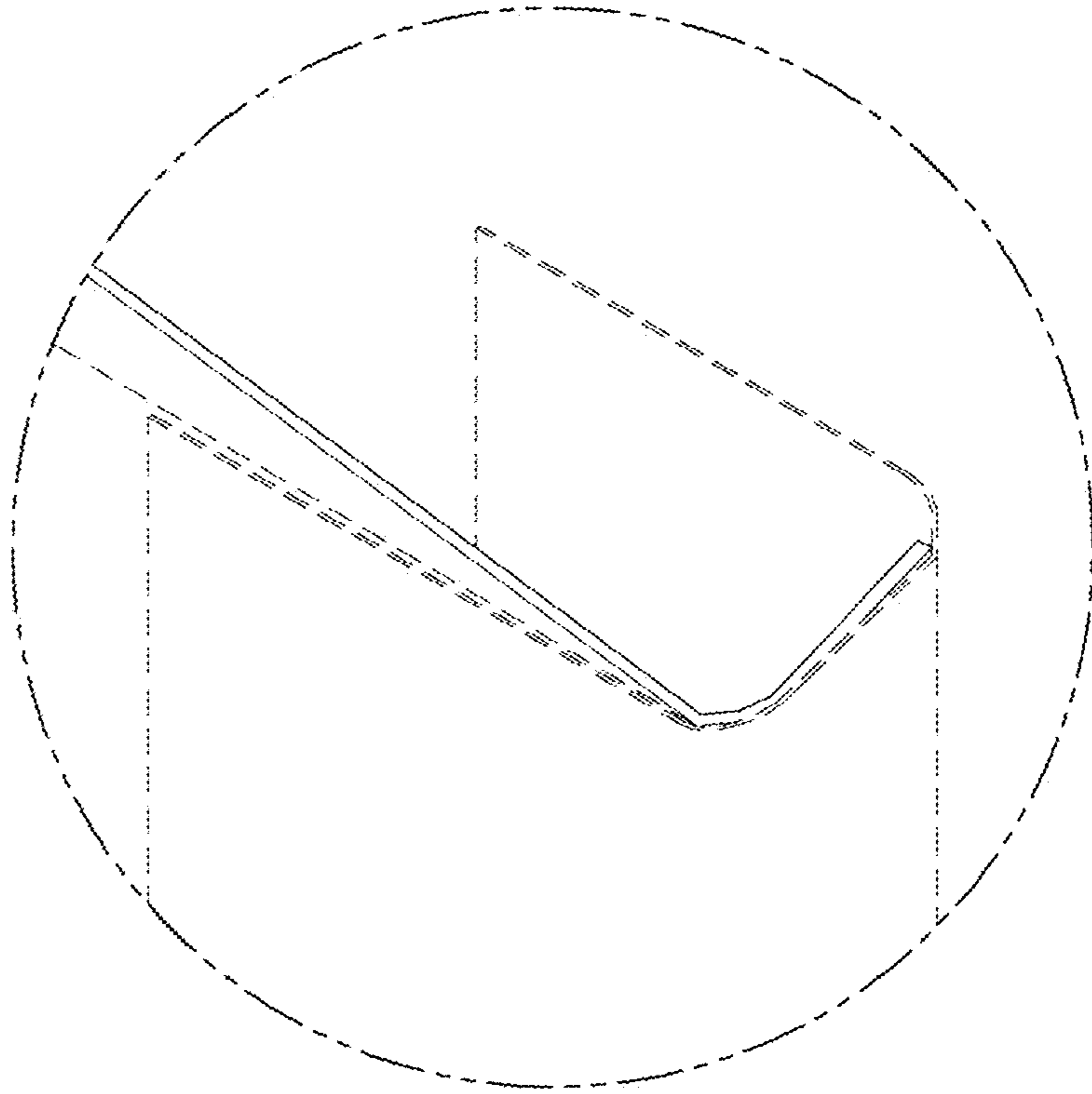


FIG. 3

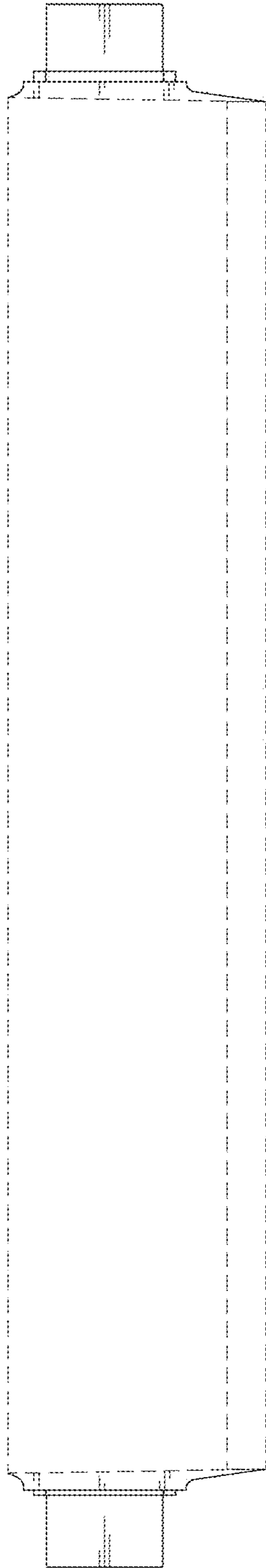


FIG. 4

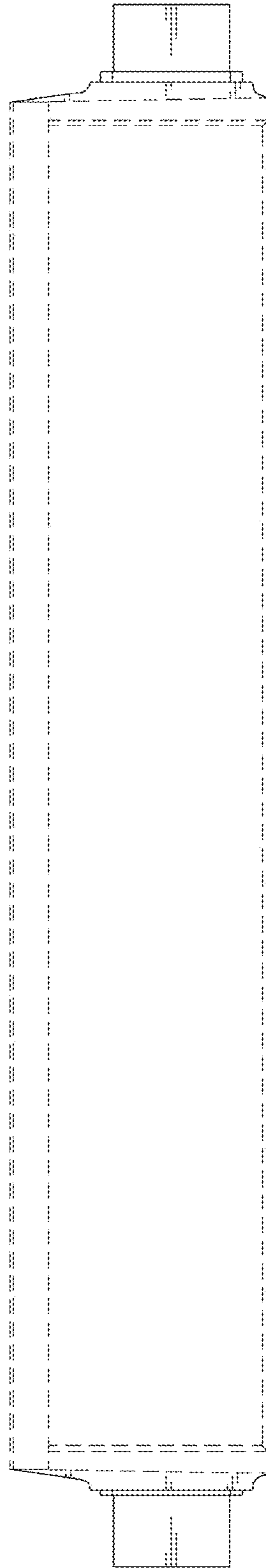


FIG. 5



FIG. 6

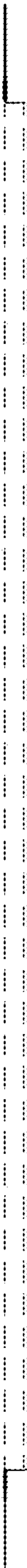


FIG. 10

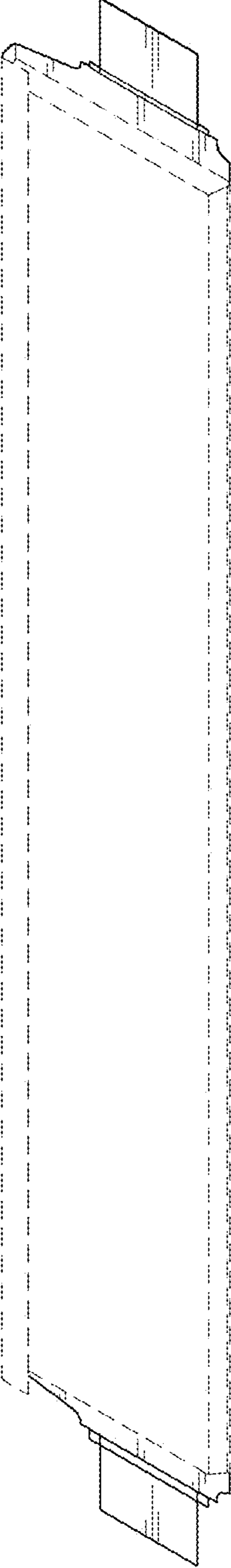


FIG. 8

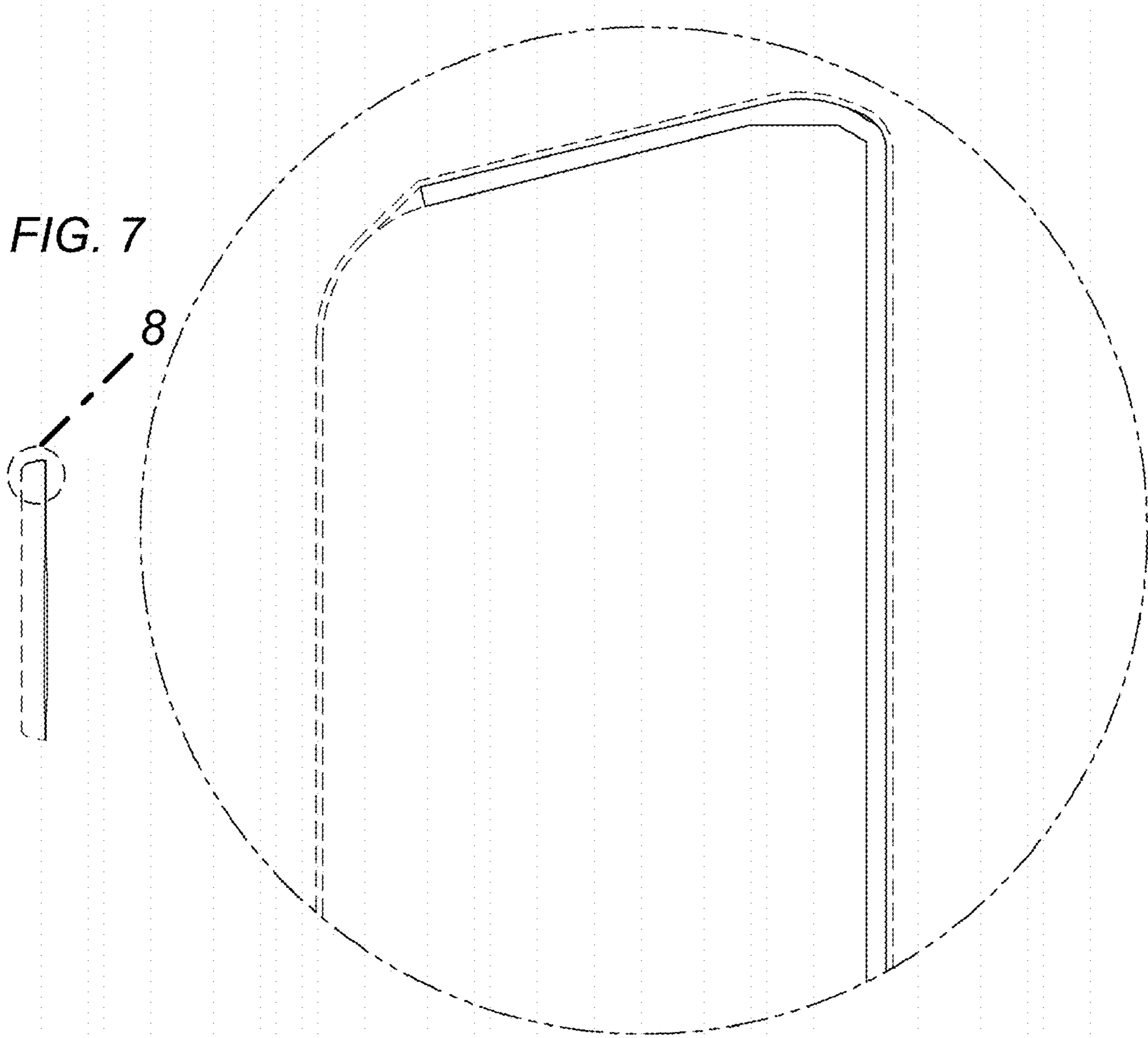


FIG. 7



FIG. 9

