



US00D935386S

(12) **United States Design Patent** (10) **Patent No.:** **US D935,386 S**
Wu (45) **Date of Patent:** **** Nov. 9, 2021**

(54) **SOLAR POWER BANK**

(71) Applicant: **Jicheng Wu**, Hunan (CN)

(72) Inventor: **Jicheng Wu**, Hunan (CN)

(**) Term: **15 Years**

(21) Appl. No.: **29/697,740**

(22) Filed: **Jul. 11, 2019**

(51) **LOC (13) Cl.** **13-02**

(52) **U.S. Cl.**
USPC **D13/102**

(58) **Field of Classification Search**
USPC D13/103-108, 118-119, 184, 199, 102;
D14/356, 432
CPC Y02E 60/12; Y02E 60/122; Y02E 60/50;
H01M 2/02; H01M 2/022; H01M 2/0202;
H01M 2/0207; H01M 2/0212; H01M
2/1061; H01M 2/1022; H01M 2/1055;
H01M 2/1066; H01M 2/105; H01M
2/204; H01M 10/4257; H01M 10/0436;
H01M 10/48; H02J 50/12
See application file for complete search history.

(56) **References Cited**

U.S. PATENT DOCUMENTS

D617,266 S *	6/2010	Sasada	D13/102
D620,431 S *	7/2010	Sasada	D13/102
D776,050 S *	1/2017	Awad	D13/102
D817,265 S *	5/2018	Liu	D13/102
D827,564 S *	9/2018	Zhang	D13/102
D830,296 S *	10/2018	Liu	D13/102

D834,514 S *	11/2018	Zhang	D13/102
D845,227 S *	4/2019	Wang	D13/102
D848,363 S *	5/2019	Bai	D13/102
D859,304 S *	9/2019	Wang	D13/102
D859,687 S *	9/2019	Voller	D24/231
D862,381 S *	10/2019	Wang	D13/102
D890,691 S *	7/2020	Wang	D13/102

* cited by examiner

Primary Examiner — Catherine S Posthauer

Assistant Examiner — Alison M Ofstun

(57) **CLAIM**

The ornamental design for a solar power bank, as shown and described.

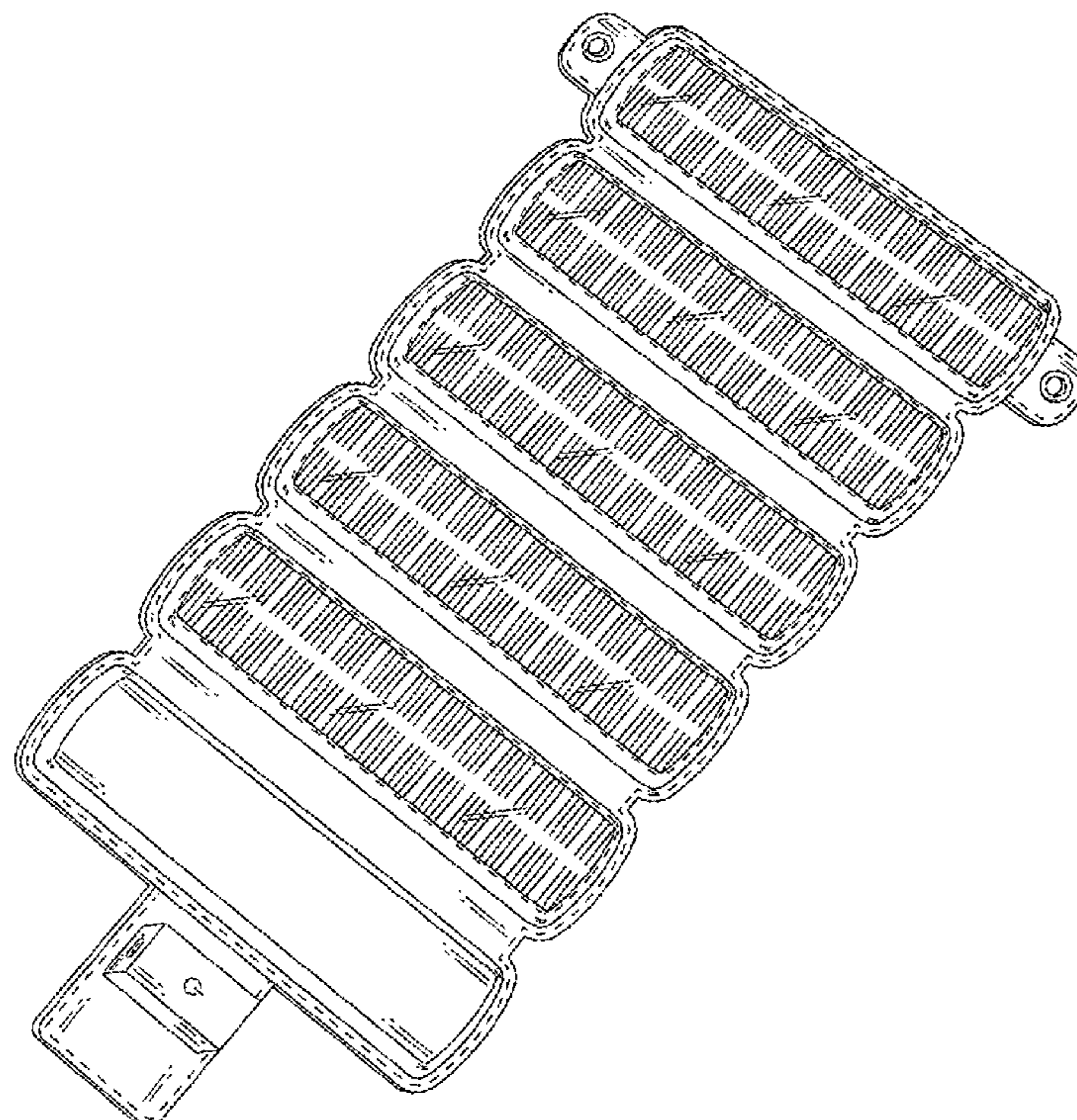
DESCRIPTION

FIG. 1 is a perspective view of a solar power bank showing my new design;
FIG. 2 is a front elevational view thereof;
FIG. 3 is a rear elevational view thereof;
FIG. 4 is a left side elevational view thereof;
FIG. 5 is a right side elevational view thereof;
FIG. 6 is a top plan view thereof;
FIG. 7 is a bottom plan view thereof; and,
FIG. 8 is a perspective view thereof, shown in a position of use.

In FIGS. 1-3 and 8 the broken lines representing stitching are part of the claimed design. In FIG. 7, the broken lines represent portions of the article which form no part of the claimed design.

The broken lines representing stitching are part of the claimed design.

1 Claim, 8 Drawing Sheets



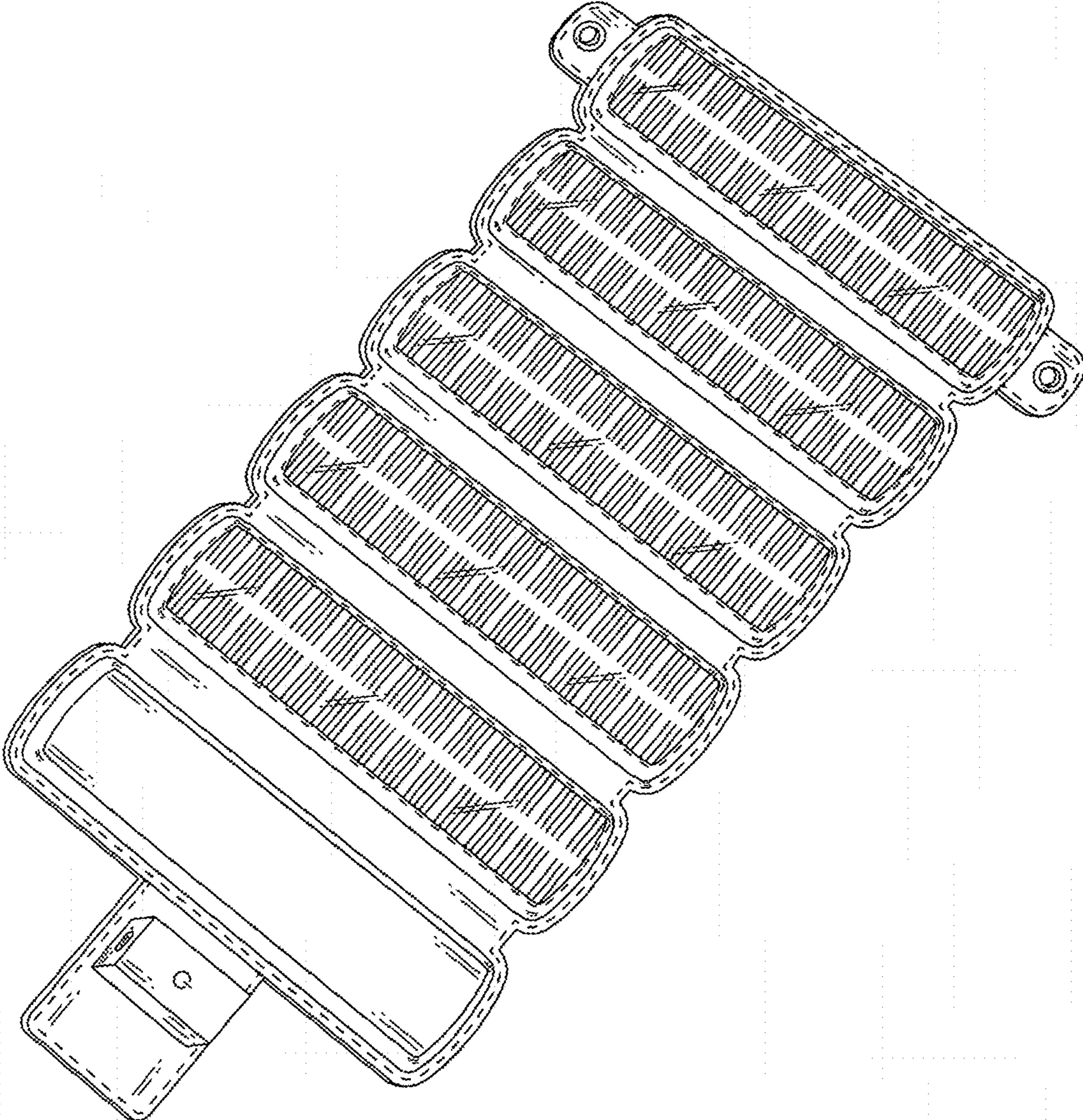


FIG. 1

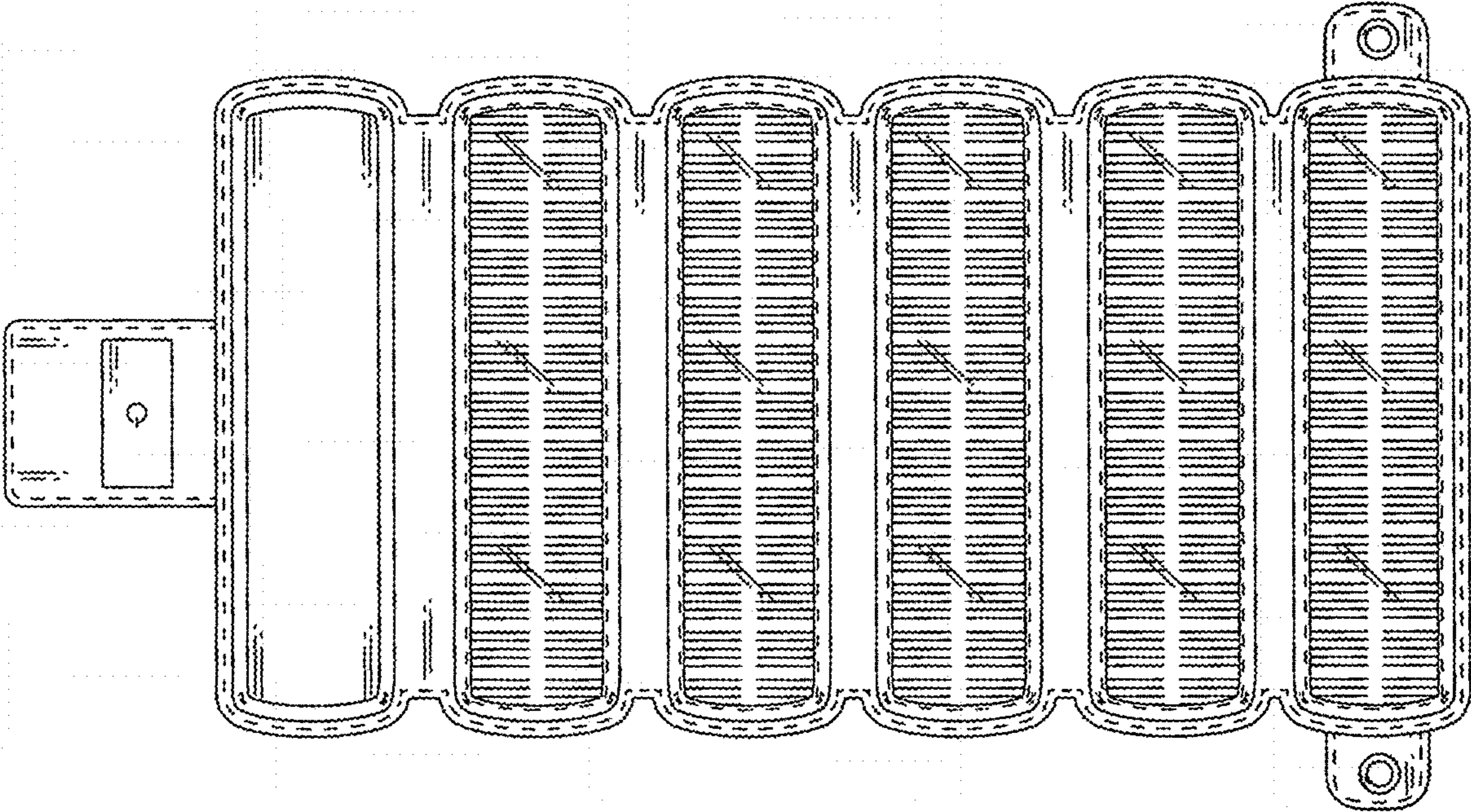


FIG. 2

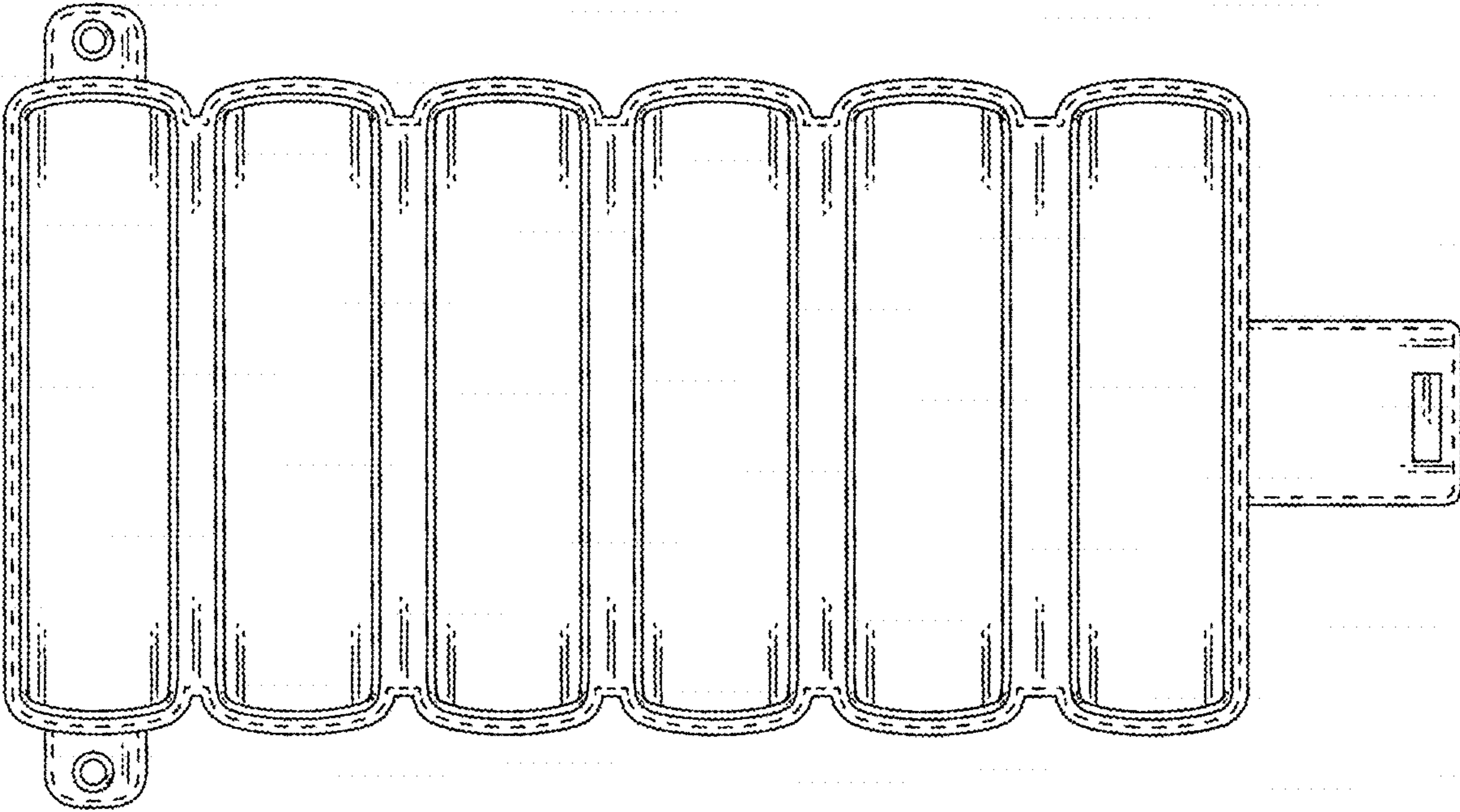


FIG. 3



FIG. 4

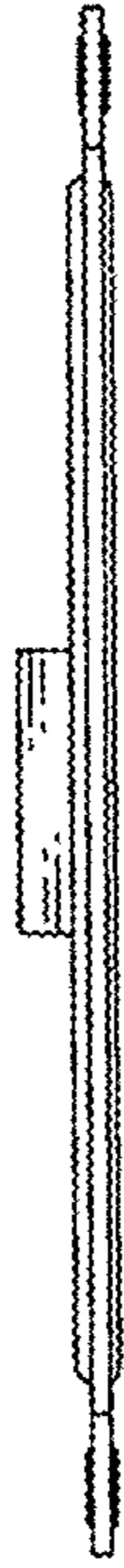


FIG. 5

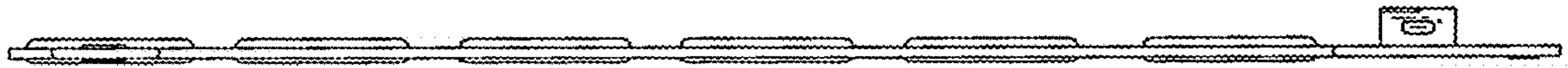


FIG. 6

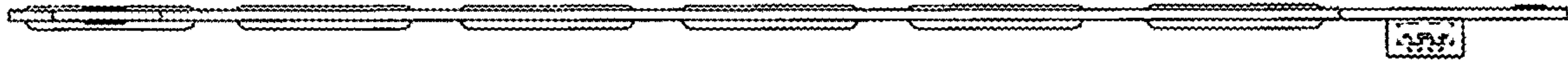


FIG. 7

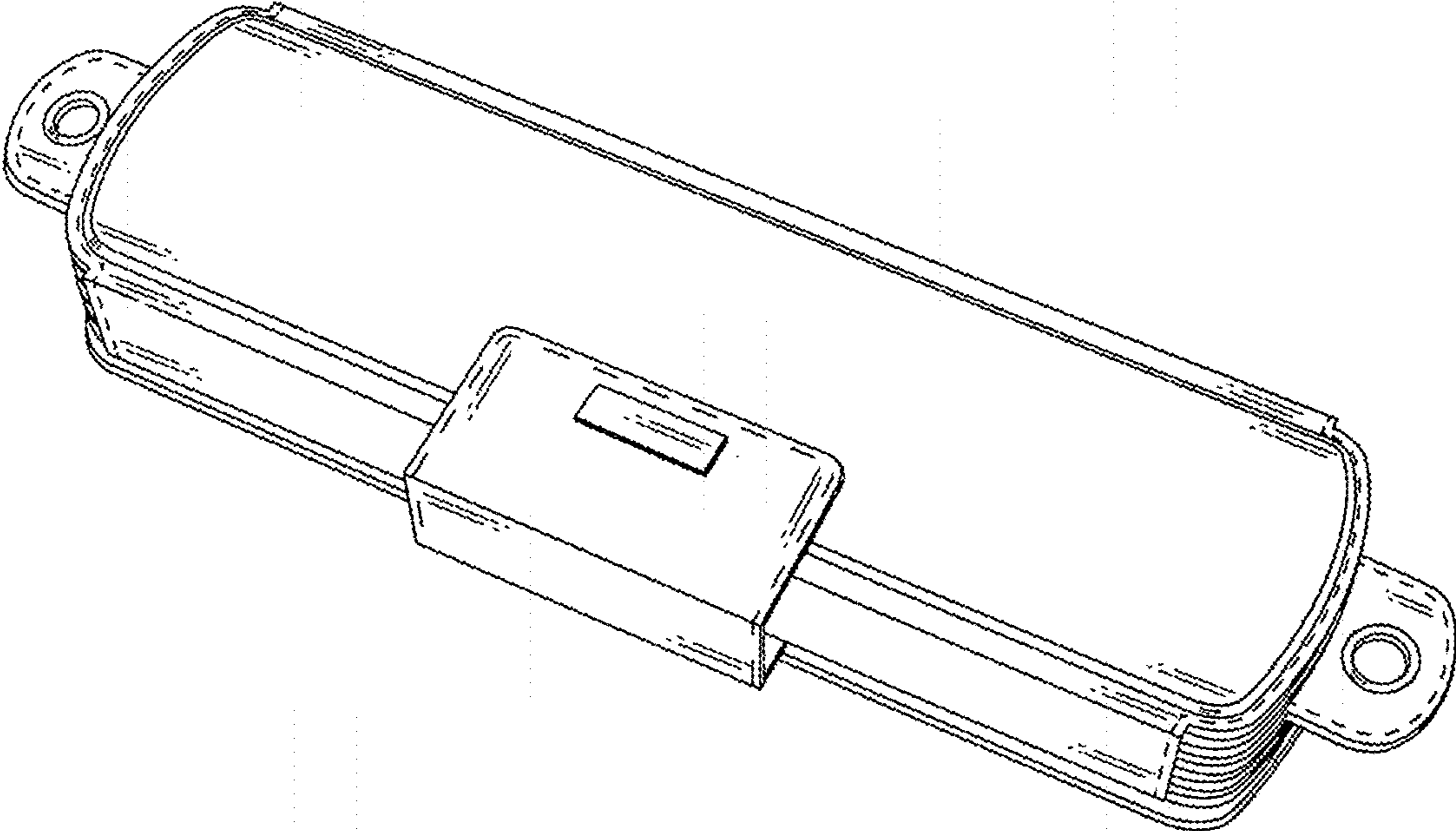


FIG. 8