



US00D935382S

(12) **United States Design Patent** (10) **Patent No.:** **US D935,382 S**  
**Matsumoto** (45) **Date of Patent:** **\*\* Nov. 9, 2021**

(54) **AUTOMOBILE TIRE**

(71) Applicant: **THE YOKOHAMA RUBBER CO., LTD.**, Tokyo (JP)

(72) Inventor: **Kenichi Matsumoto**, Hiratsuka (JP)

(73) Assignee: **THE YOKOHAMA RUBBER CO., LTD.**, Tokyo (JP)

(\*\*) Term: **15 Years**

(21) Appl. No.: **29/722,536**

(22) Filed: **Jan. 30, 2020**

(30) **Foreign Application Priority Data**

Jul. 31, 2019 (JP) ..... 2019-017098

(51) **LOC (13) Cl.** ..... **12-15**

(52) **U.S. Cl.**  
USPC ..... **D12/523**

(58) **Field of Classification Search**  
USPC ..... D12/500-532, 604  
CPC ..... Y10T 152/10027; B60C 1/0016; B60C 11/0306; B60C 11/0302; B60C 3/06; B60C 9/17  
See application file for complete search history.

(56) **References Cited**

**U.S. PATENT DOCUMENTS**

D609,627 S *	2/2010	Frappart	.....	D12/523
D665,336 S *	8/2012	Skurich	.....	D12/523
D667,359 S *	9/2012	Ishida	.....	D12/523
D667,360 S *	9/2012	Ishida	.....	D12/523
D677,215 S *	3/2013	Nakamura	.....	D12/523
D726,100 S *	4/2015	Jeong	.....	D12/523
D761,716 S *	7/2016	Albouy	.....	D12/519
D772,144 S *	11/2016	Lamb	.....	D12/519
D806,003 S *	12/2017	Pribula	.....	D12/521
D810,658 S *	2/2018	Hayashi	.....	D12/523
D828,280 S *	9/2018	Min	.....	D12/519
D869,382 S *	12/2019	Speziari	.....	D12/521

D887,342 S *	6/2020	Moia	.....	D12/521
D890,084 S *	7/2020	Speziari	.....	D12/604
D892,030 S *	8/2020	Sabetti	.....	D12/521
D894,096 S *	8/2020	Takahashi	.....	D12/519
D896,736 S *	9/2020	Tanaka	.....	D12/521
D900,709 S *	11/2020	Trine	.....	D12/517
D901,372 S *	11/2020	Moia	.....	D12/517
D904,280 S *	12/2020	Kuwahara	.....	D12/517

**OTHER PUBLICATIONS**

Yokohama BluEarth-XT AE61 [Mar. 10, 2021] found online [Mar. 10, 2021]—<https://tiresvote.com/articles/yokohama-blueearth-xt-ae61/>.\*

\* cited by examiner

*Primary Examiner* — John A Voytek

(74) *Attorney, Agent, or Firm* — Banner & Witcoff, Ltd.

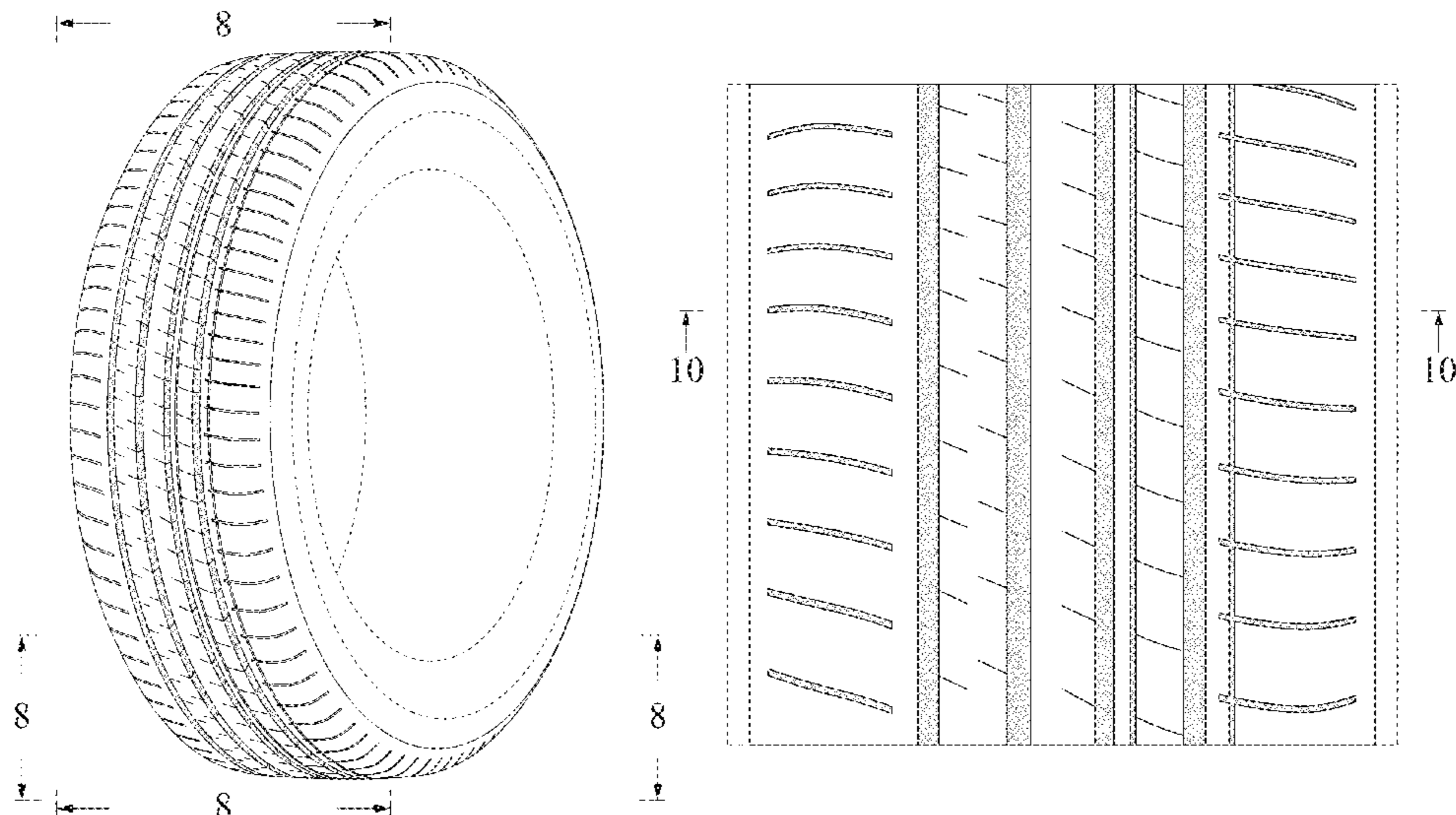
(57) **CLAIM**

The ornamental design for an automobile tire, as shown and described.

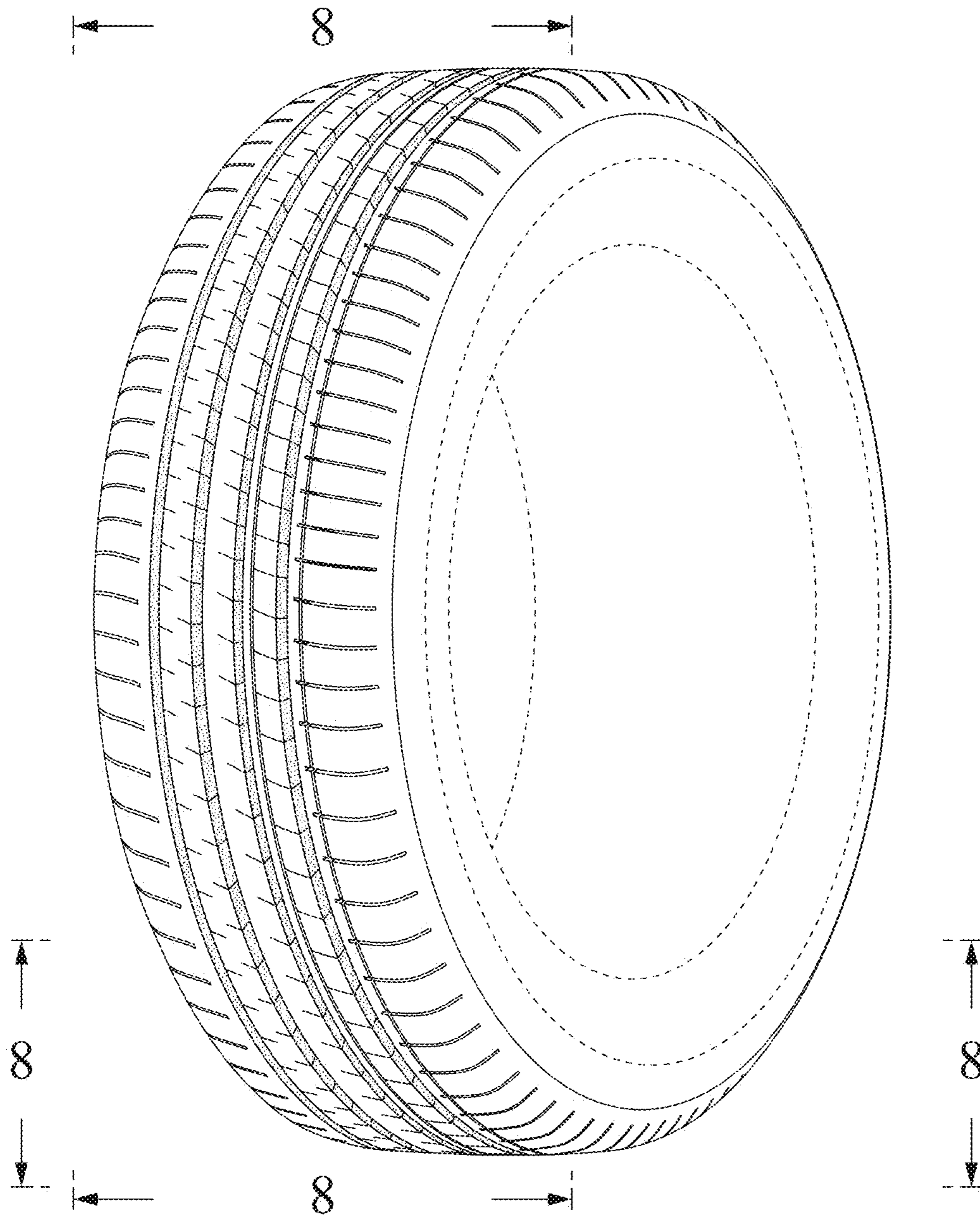
**DESCRIPTION**

FIG. 1 is a perspective view of an automobile tire showing my design;  
FIG. 2 is a front view thereof;  
FIG. 3 is a rear view thereof;  
FIG. 4 is a right side view thereof;  
FIG. 5 is a left side view thereof;  
FIG. 6 is a top view thereof;  
FIG. 7 is a bottom view thereof;  
FIG. 8 is a partially enlarged view of a portion defined by lines 8-8 shown in FIG. 1;  
FIG. 9 is a partially enlarged view of a portion defined by lines 9-9 shown in FIG. 2; and,  
FIG. 10 is a cross sectional view of a portion defined by lines 10-10 shown in FIG. 9.  
In the drawings, the broken lines depict environmental subject matter only and form no part of the claimed design.

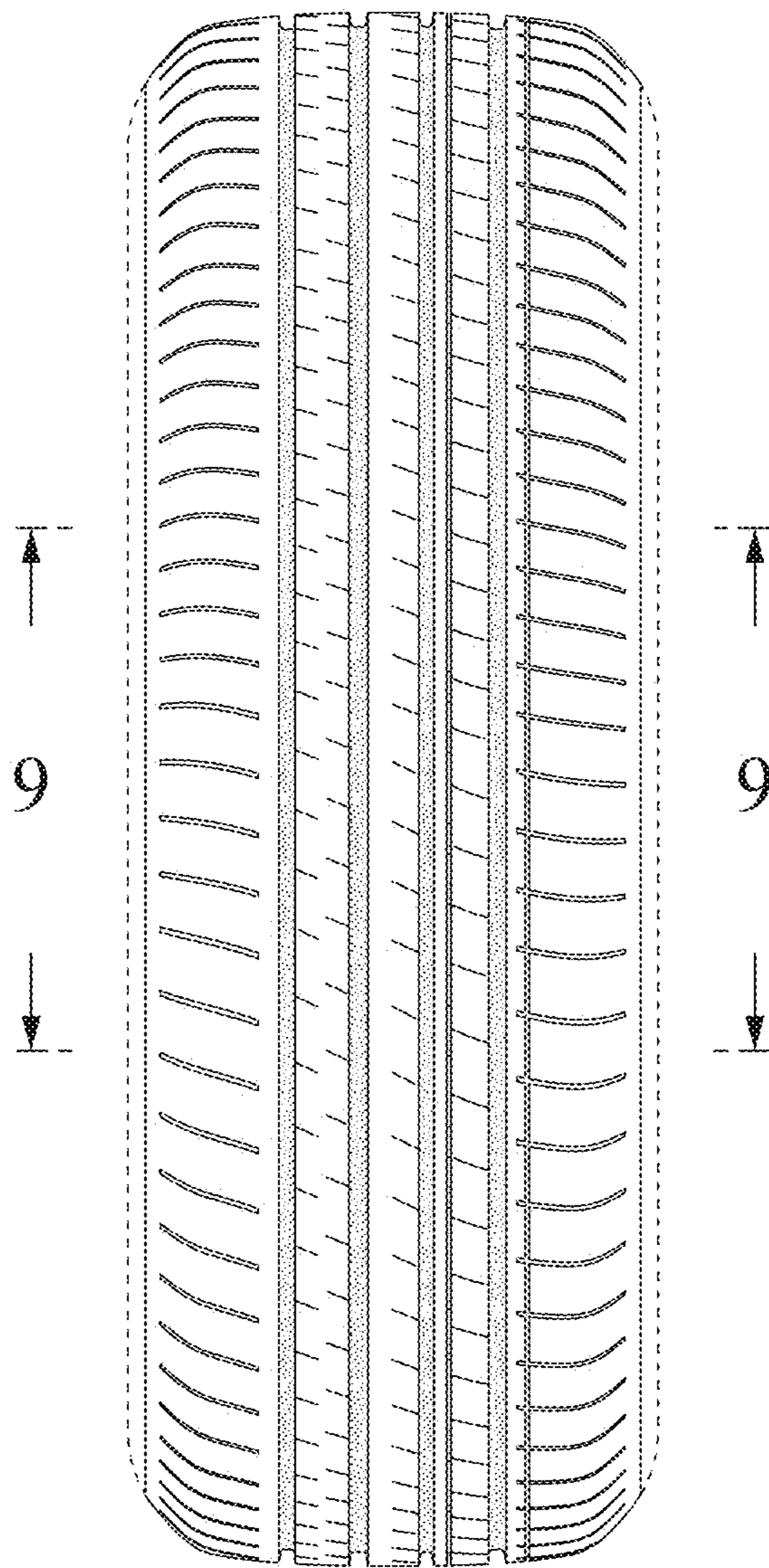
**1 Claim, 10 Drawing Sheets**



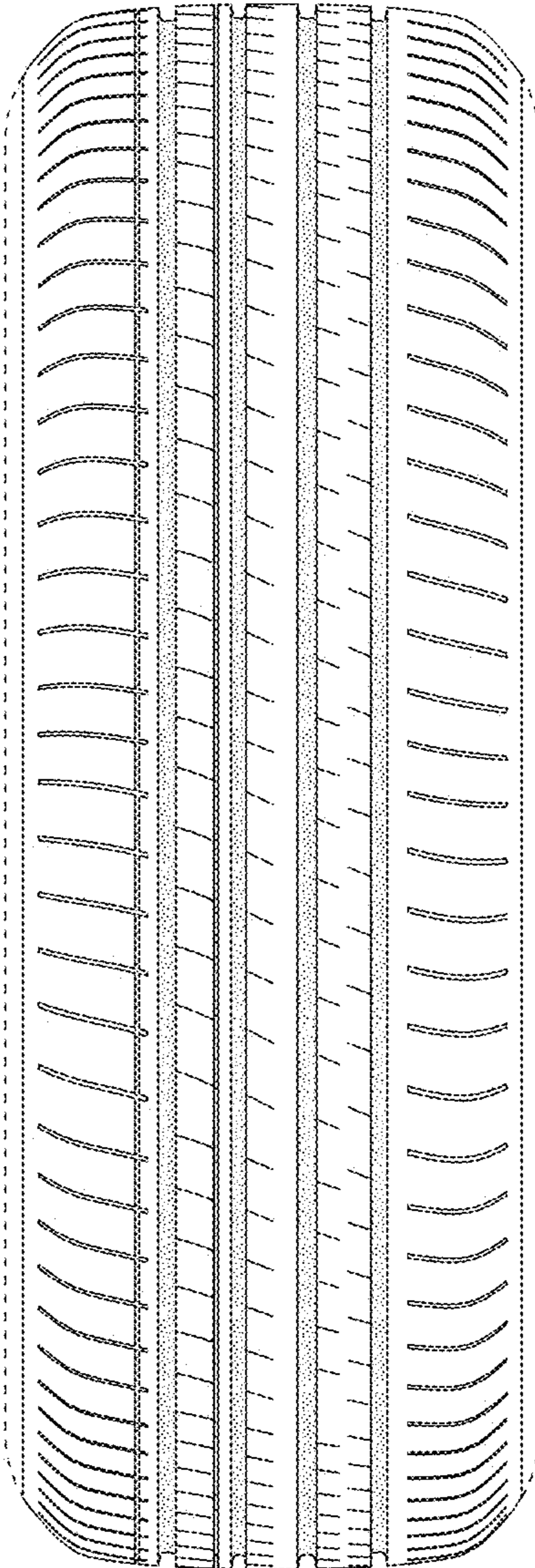
**FIG. 1**



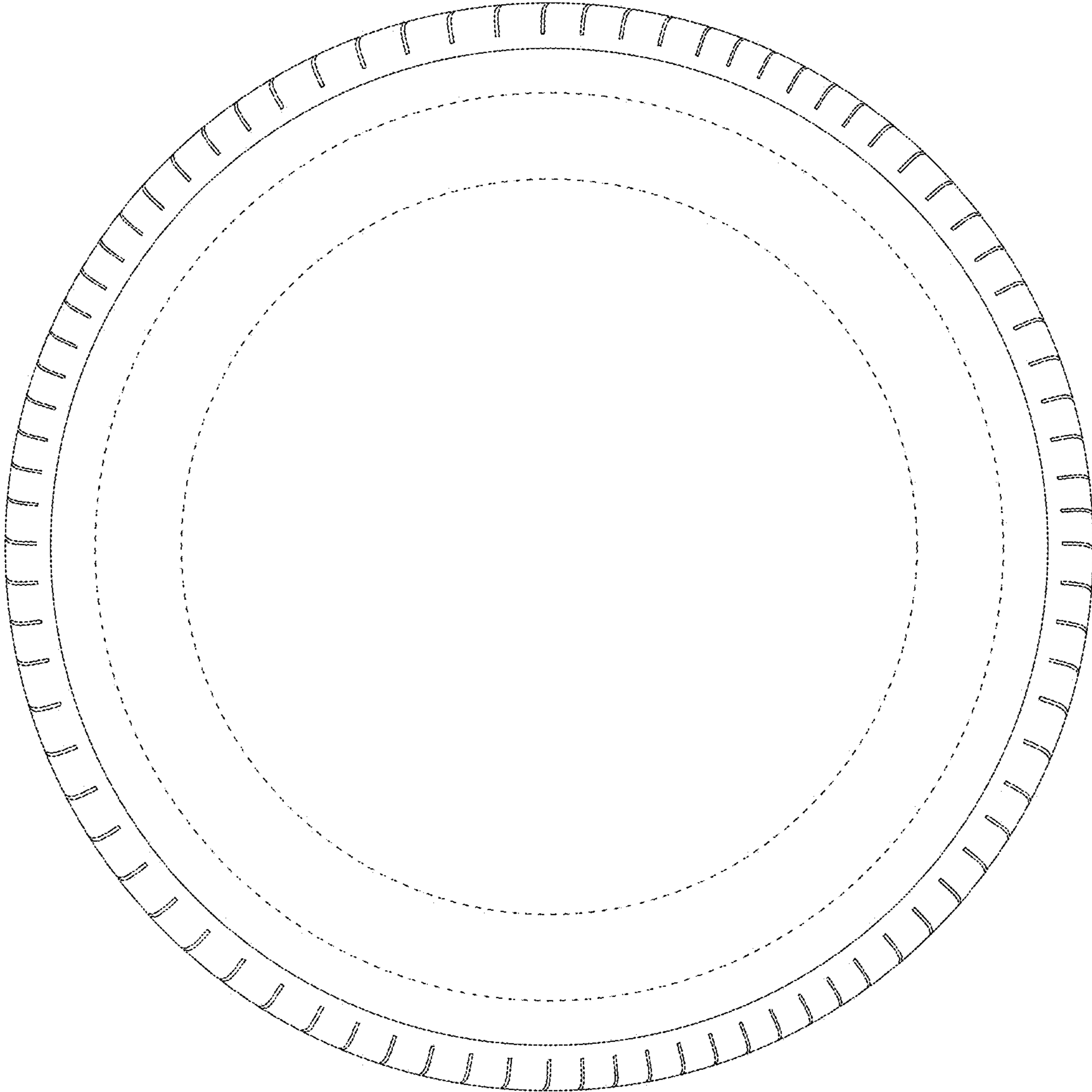
**FIG. 2**



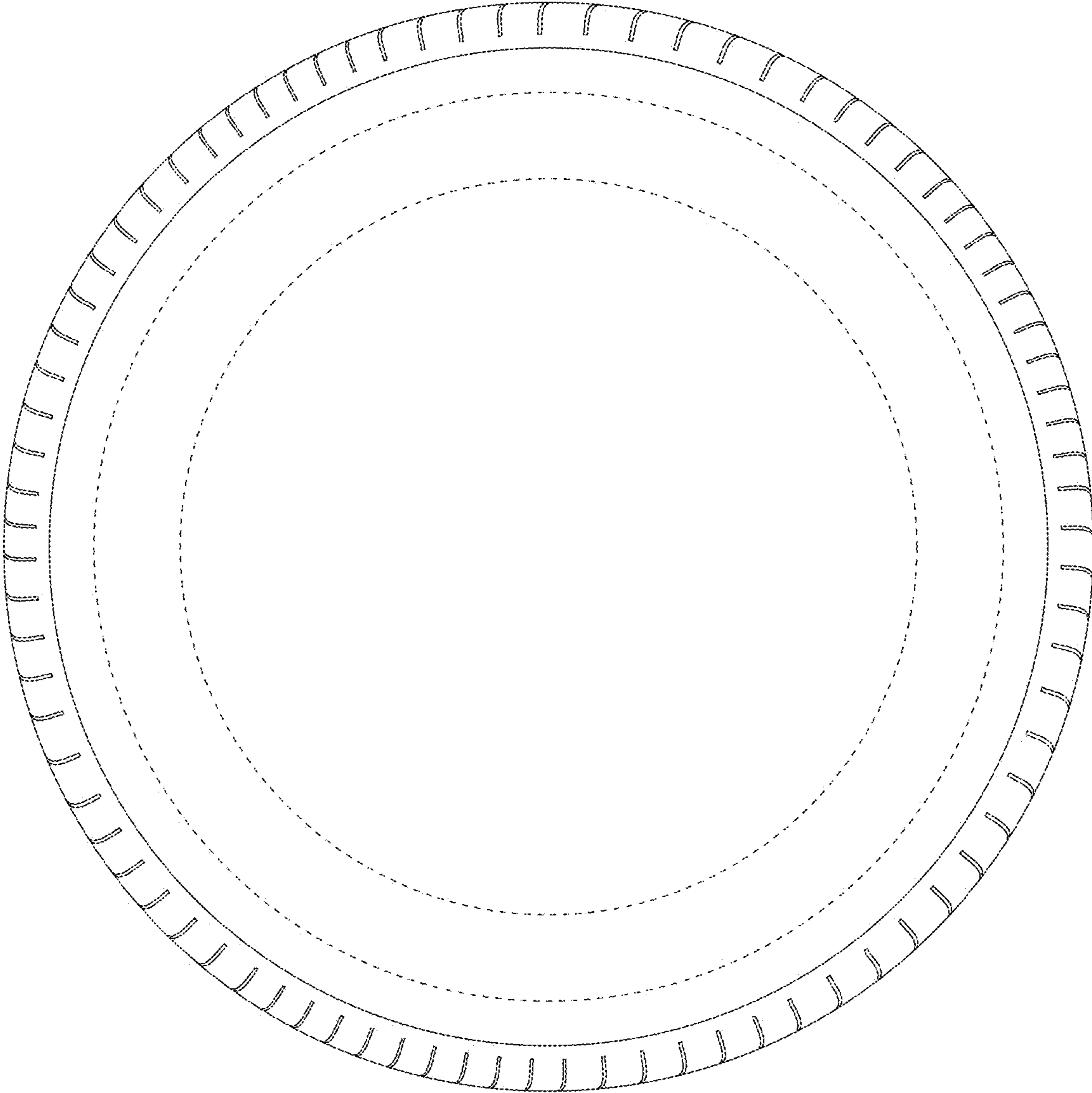
**FIG. 3**



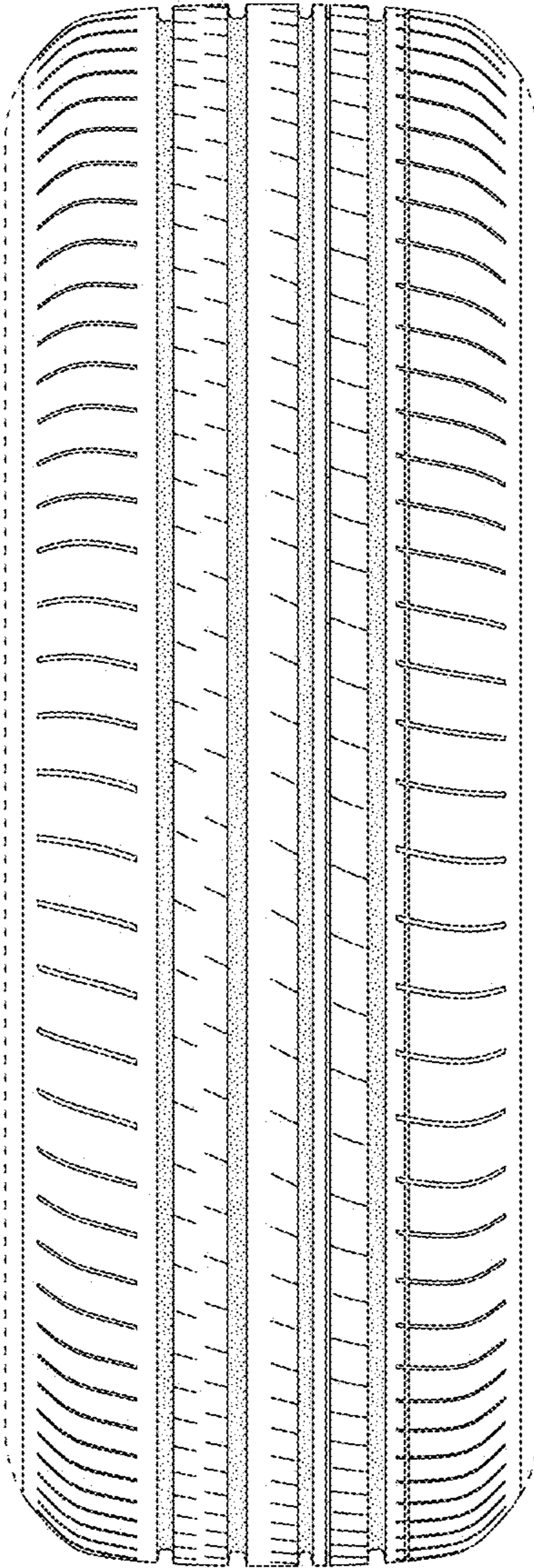
**FIG. 4**



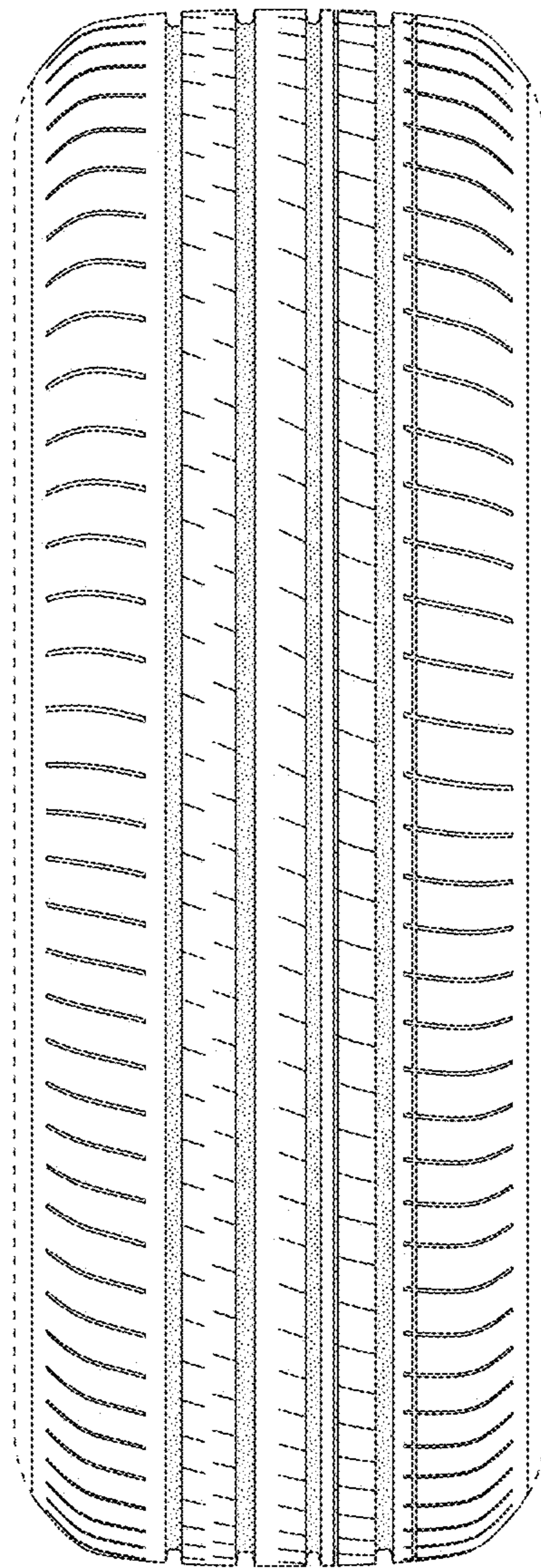
**FIG. 5**



**FIG. 6**



**FIG. 7**





**FIG. 8**

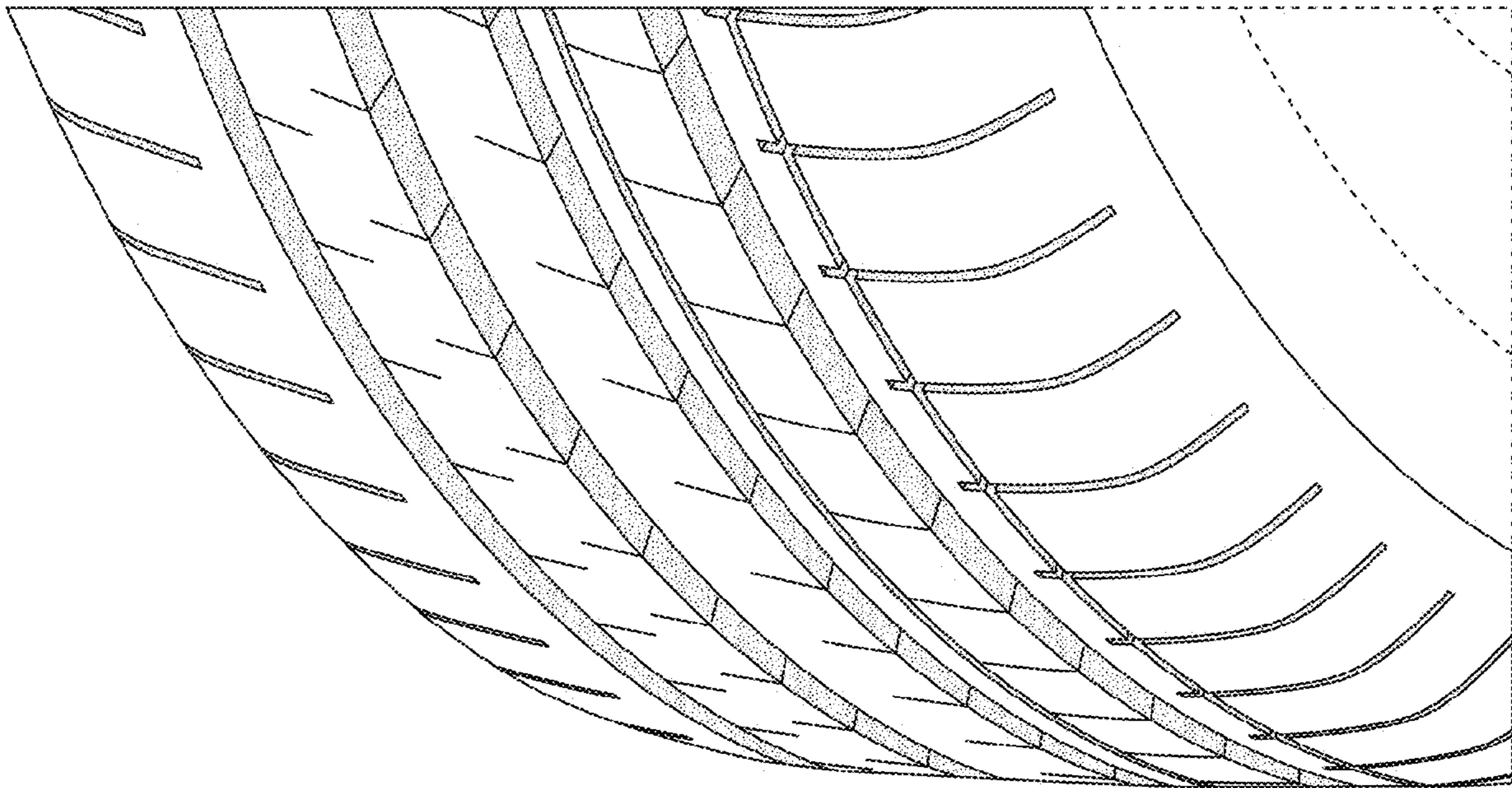
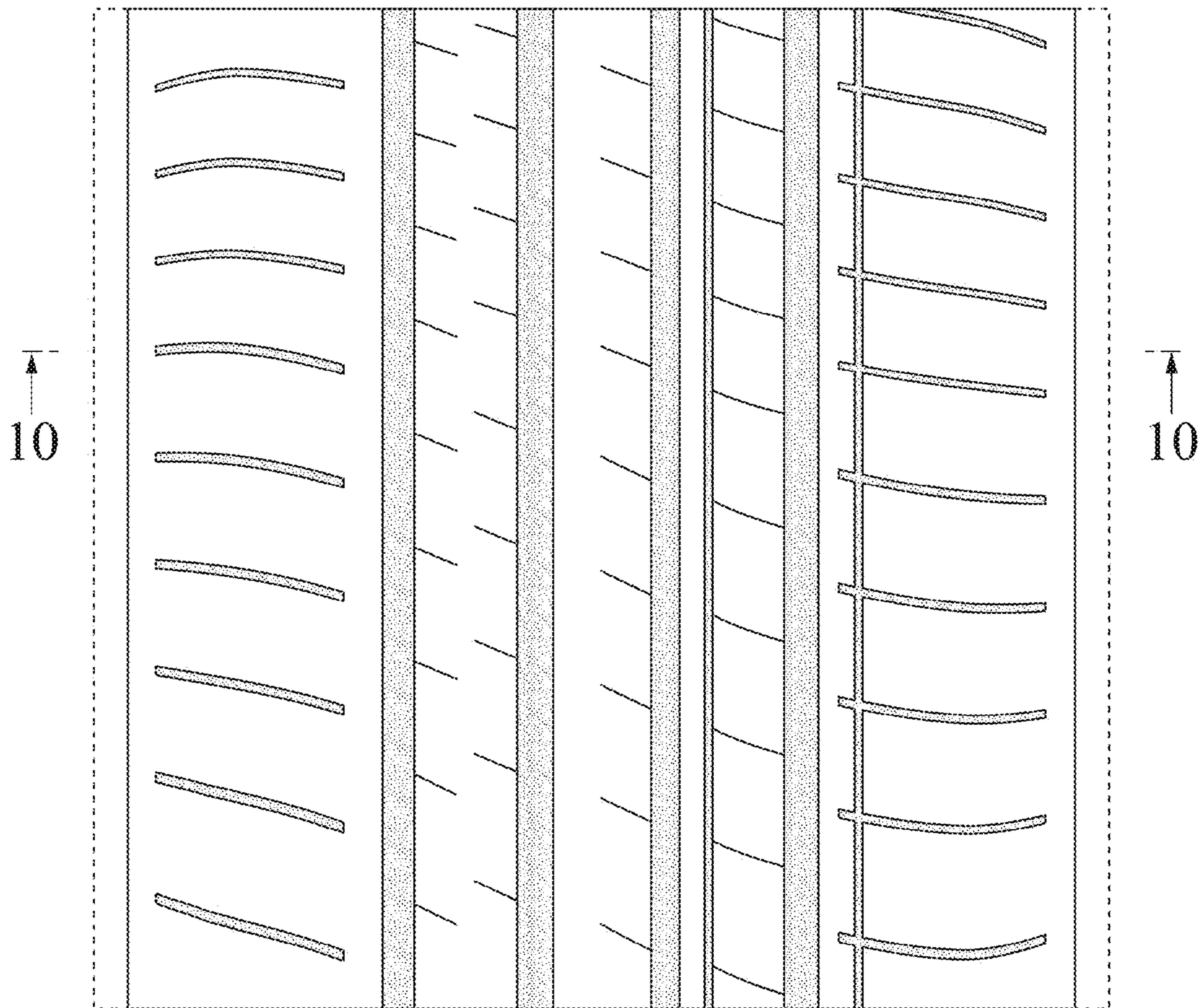


FIG. 9



**FIG. 10**

