



US00D935380S

(12) **United States Design Patent** (10) **Patent No.:** **US D935,380 S**  
**Ma** (45) **Date of Patent:** **\*\* Nov. 9, 2021**

(54) **STORAGE BOX FOR CAR ARM REST**

(56) **References Cited**

(71) Applicant: **Jinlong Yang**, Gansu (CN)

U.S. PATENT DOCUMENTS

(72) Inventor: **Wei Ma**, Bozhou (CN)

D474,733 S *	5/2003	Webb	.....	D12/419
D591,560 S *	5/2009	Lackey	.....	D12/419
D742,807 S *	11/2015	Vissers	.....	D12/421
D792,834 S *	7/2017	Ito	.....	D12/419
D912,608 S *	3/2021	Chen	.....	D12/425
D916,647 S *	4/2021	Chen	.....	D12/425

(\*\*) Term: **15 Years**

\* cited by examiner

(21) Appl. No.: **29/726,855**

(22) Filed: **Mar. 6, 2020**

*Primary Examiner* — Abraham Bahta

(51) **LOC (13) Cl.** ..... **12-16**

(57) **CLAIM**

(52) **U.S. Cl.**

The ornamental design for a storage box for car arm rest, as shown and described.

USPC ..... **D12/421**

(58) **Field of Classification Search**

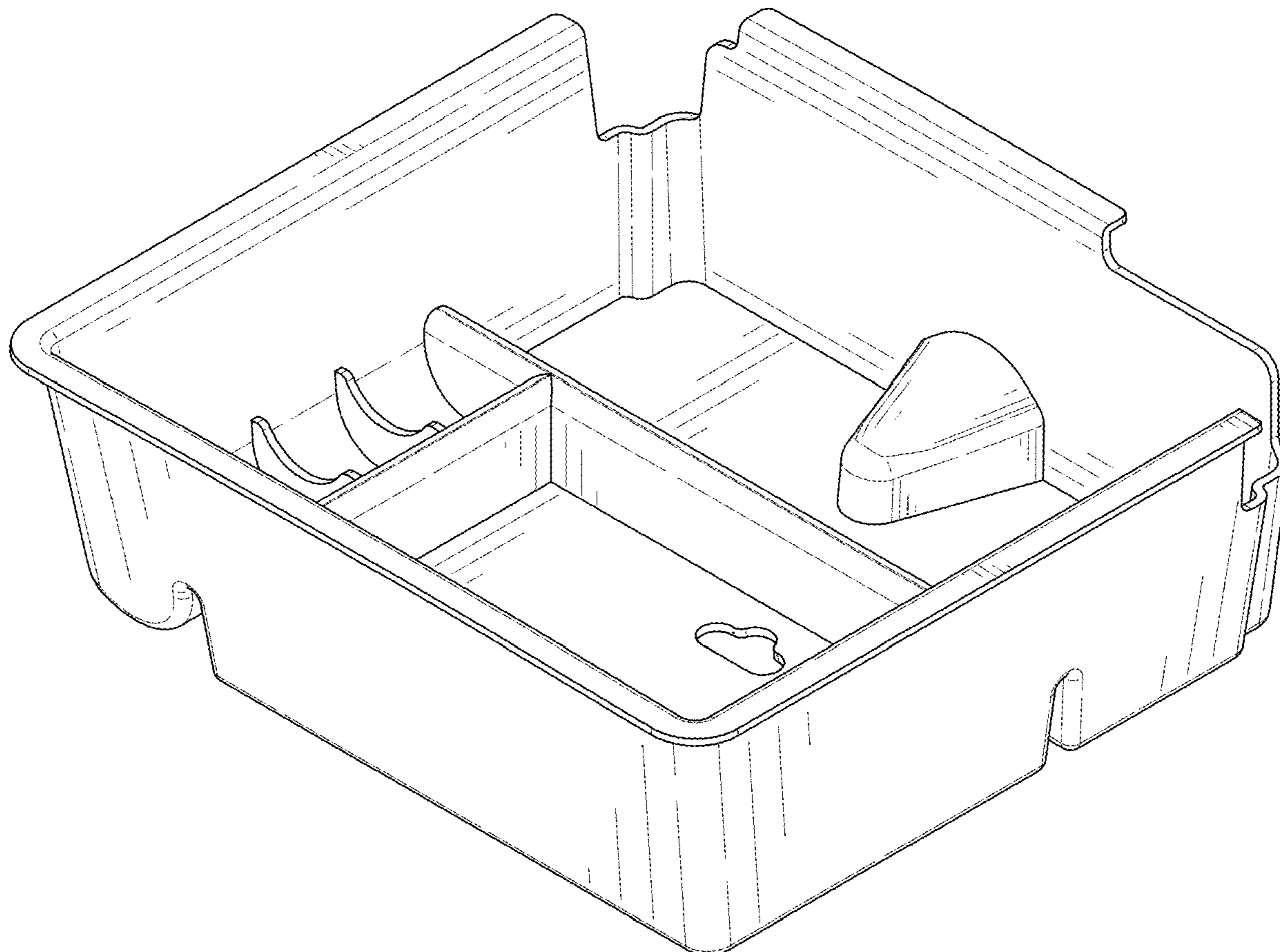
**DESCRIPTION**

USPC ..... D12/415-419, 191, 106, 96, 400, 195,  
D12/345, 99; 296/37.1, 37.8, 70, 24.1,  
296/24.2, 24.3, 137.1, 97.1, 97.2, 97.4,  
296/97.5, 97.6, 97.7, 97.8, 180; 312/246;  
224/311, 539, 281, 275; D8/354;  
D14/451-452; 248/278.1, 274.1, 284.1;  
D3/319; 160/370.21, 370.23, 370.22;  
D32/35, 58; D6/552, 317-319, 513-514  
CPC .... B60R 5/00; B60R 5/04; B60R 7/00; B60R  
7/02; B60R 9/04; A47G 29/00; A47B  
88/00; A47B 88/04; A47B 88/20

FIG. 1 is a front and top perspective view of a storage box for car arm rest, showing my new design;  
FIG. 2 is a rear and bottom perspective view thereof;  
FIG. 3 is a front elevational view thereof;  
FIG. 4 is a rear elevational view thereof;  
FIG. 5 is a left side elevational view thereof;  
FIG. 6 is a right side elevational view thereof;  
FIG. 7 is a top plan view thereof; and,  
FIG. 8 is a bottom plan view thereof.

See application file for complete search history.

**1 Claim, 8 Drawing Sheets**



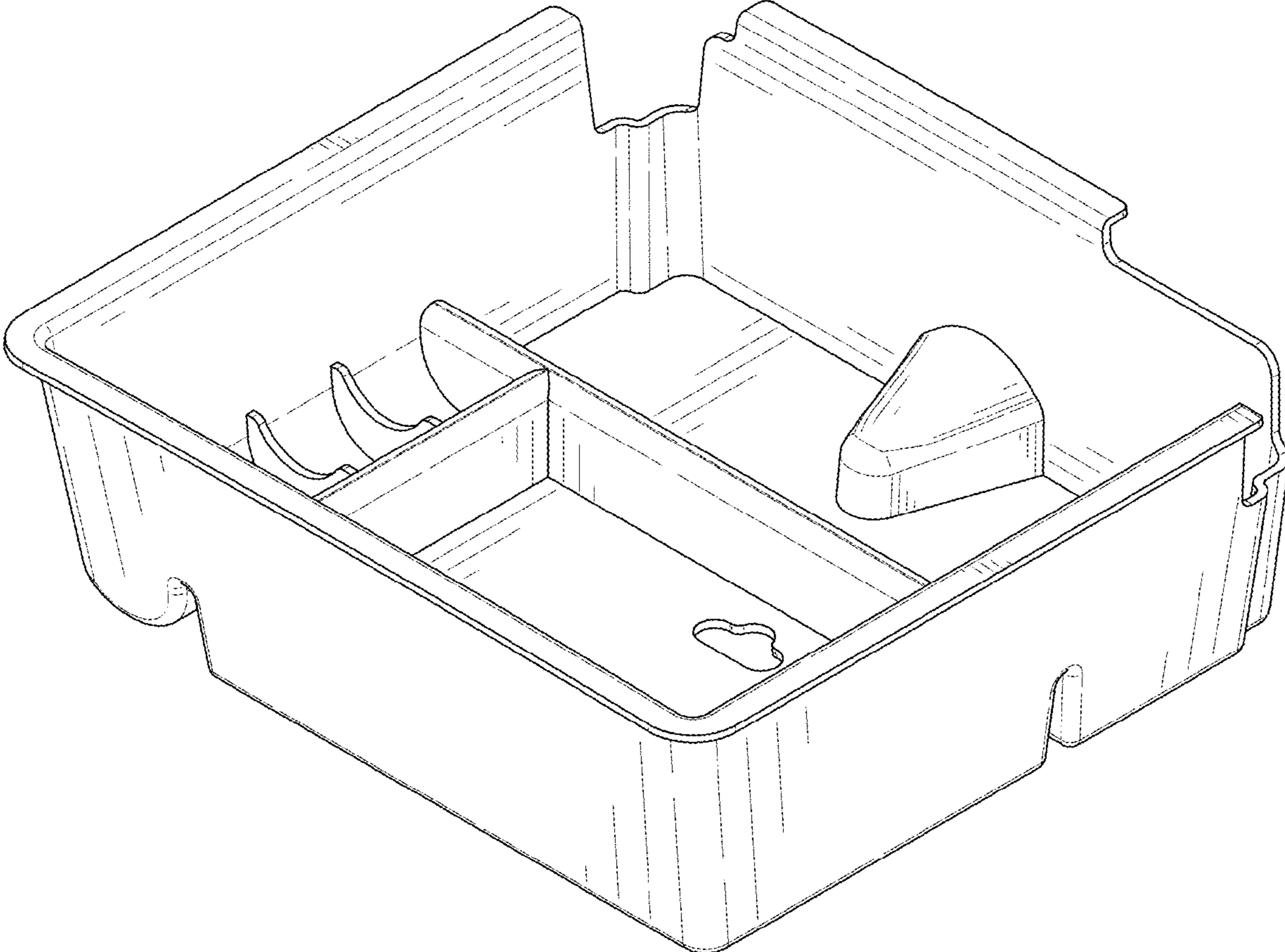


FIG. 1

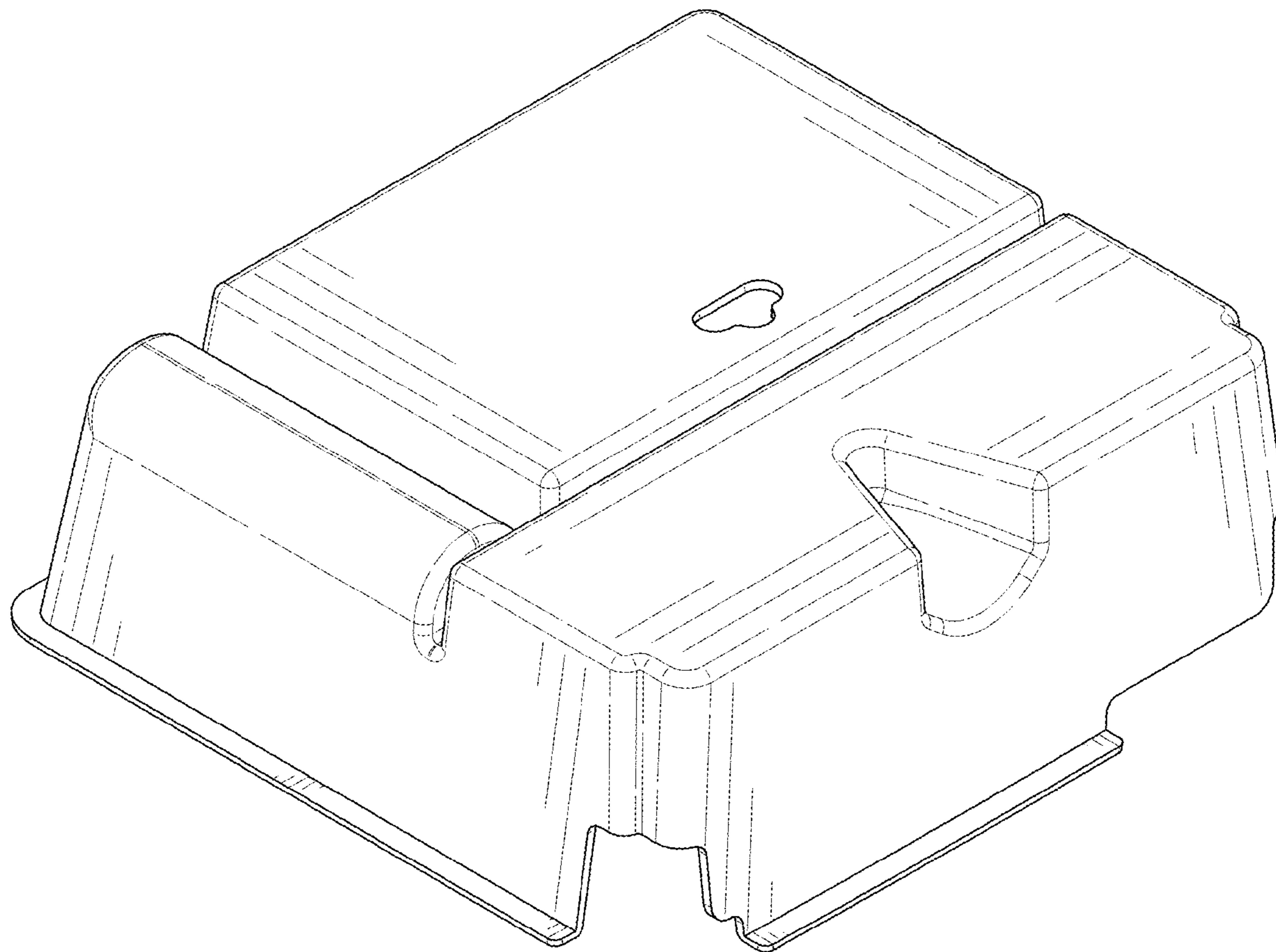


FIG. 2

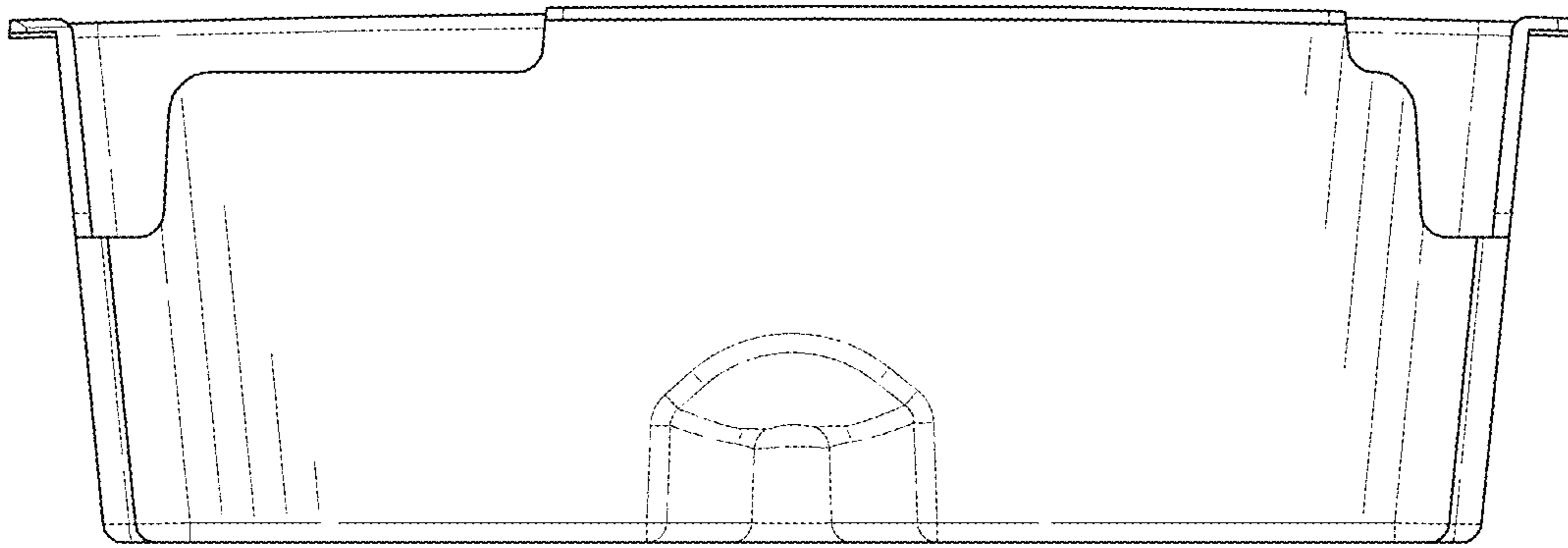


FIG. 3

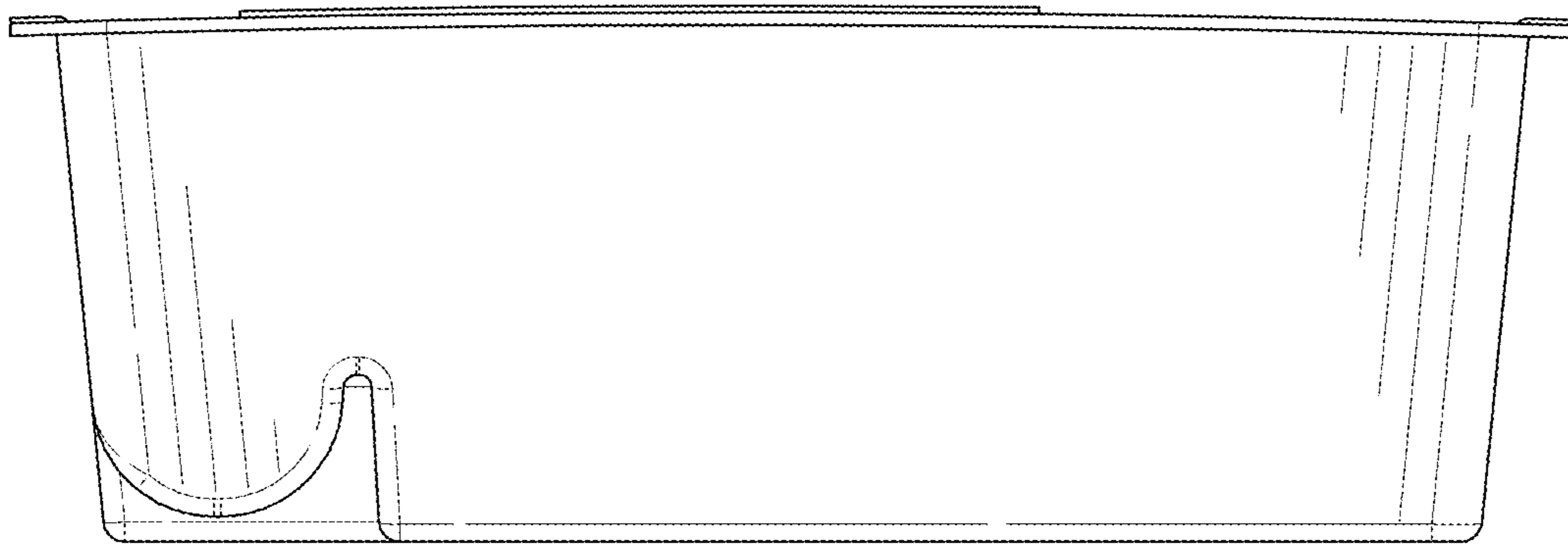


FIG. 4

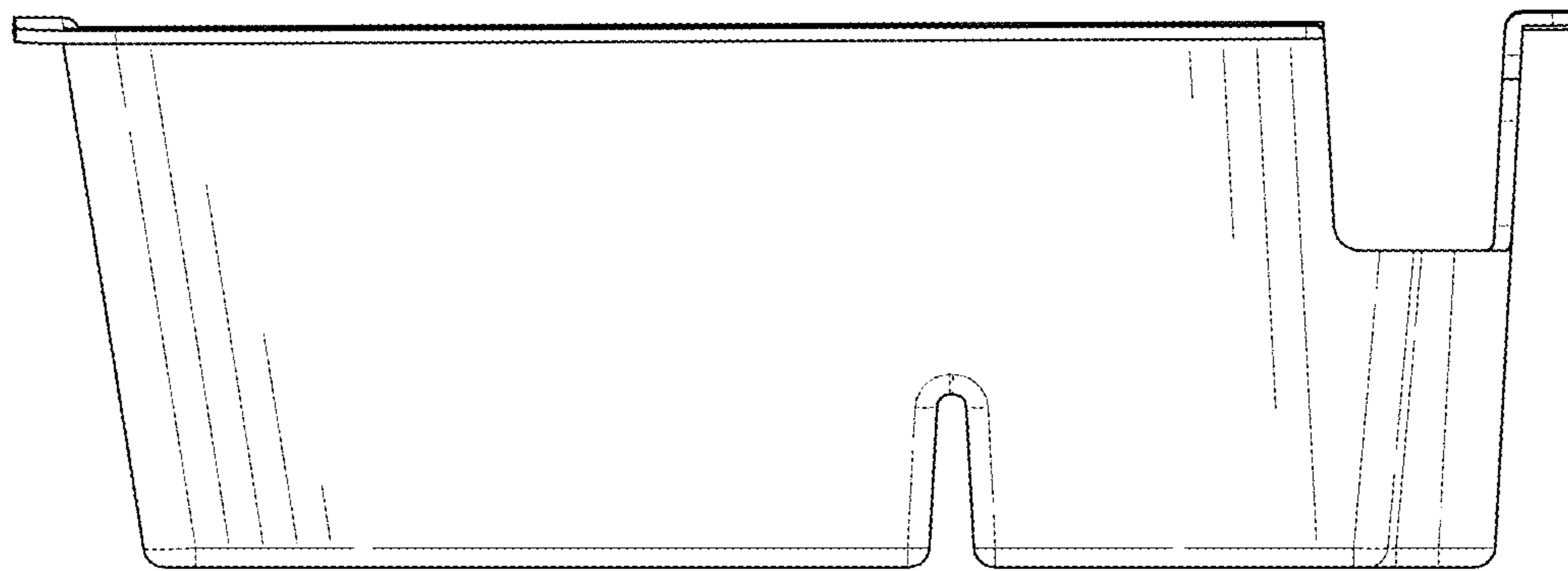


FIG. 5

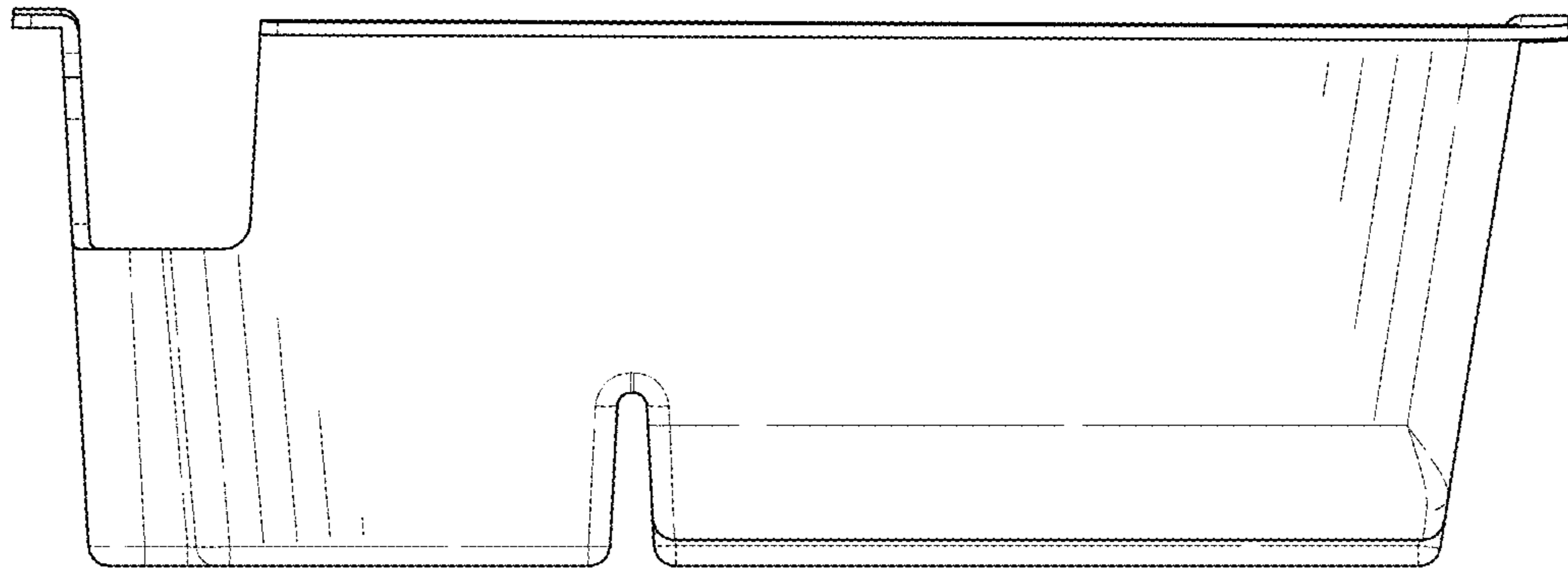


FIG. 6

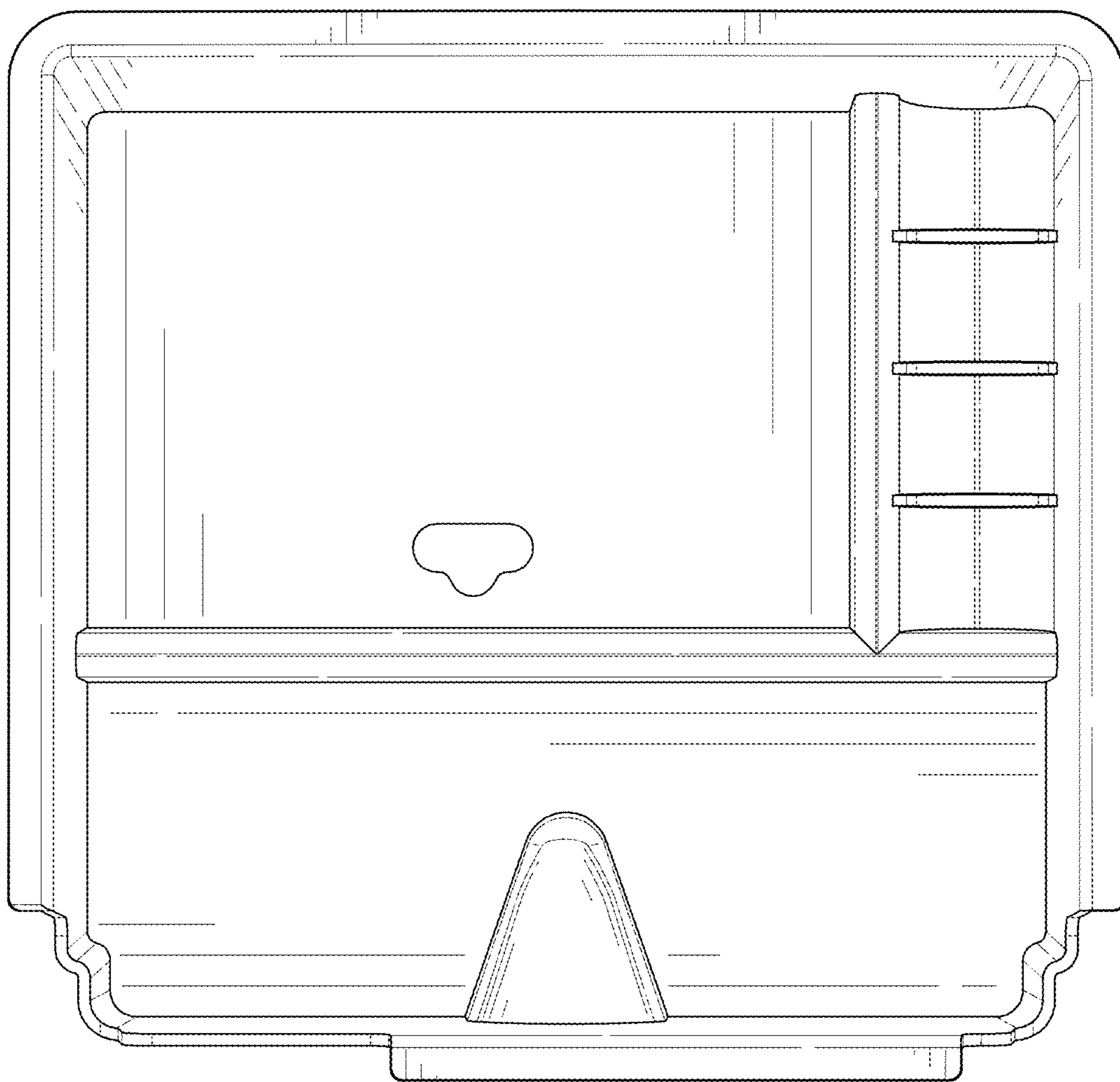


FIG. 7





FIG. 8