



US00D935378S

(12) **United States Design Patent**
Chen et al.

(10) **Patent No.:** **US D935,378 S**
(45) **Date of Patent:** **** Nov. 9, 2021**

(54) **INFLATABLE TENT ON ROOF OF A VEHICLE**

Primary Examiner — April Rivas

(71) Applicant: **Beijing Playdo Outdoor Products Co., Ltd.**, Beijing (CN)

(57) **CLAIM**

(72) Inventors: **Shuaiqi Chen**, Beijing (CN); **Changda Xu**, Beijing (CN); **Yingquan Chang**, Beijing (CN); **Min Zhao**, Beijing (CN)

The ornamental design for an inflatable tent on roof of a vehicle, as shown and described.

(**) Term: **15 Years**

(21) Appl. No.: **29/749,595**

(22) Filed: **Sep. 8, 2020**

(51) **LOC (13) Cl.** **12-16**

(52) **U.S. Cl.**
USPC **D12/403**

(58) **Field of Classification Search**
USPC D12/403, 404
CPC ... E04H 15/06; E04H 2015/201; E04H 15/20;
B60P 3/341
See application file for complete search history.

DESCRIPTION

(56) **References Cited**

U.S. PATENT DOCUMENTS

3,742,966	A *	7/1973	Franzen	E04H 15/06 135/88.16
4,366,979	A *	1/1983	Pillot	B60P 3/38 296/160
D292,566	S *	11/1987	Racicot	D12/403
D327,463	S *	6/1992	Williams	D12/403
D397,669	S *	9/1998	Komick	D12/403
D461,759	S *	8/2002	Napieraj	D12/404
D516,497	S *	3/2006	Napieraj	D12/403
D689,159	S	9/2013	Wagoner		
D735,634	S *	8/2015	Taylor	D12/403
10,753,120	B2 *	8/2020	Reeder	E04H 15/06
D902,833	S *	11/2020	McGregor	D12/403
10,947,753	B2 *	3/2021	Currid	E04H 15/06
11,105,112	B2 *	8/2021	Montesalvo	E04H 15/06

OTHER PUBLICATIONS

Youtube, "Inflatable Roof Top Tent" posted by user Diana Zhang on Oct. 16, 2020. (<https://www.youtube.com/watch?v=RyfluN5q4GQ>) (Year: 2020).*

* cited by examiner

FIG. 1 is a front and top perspective view of an inflatable tent on roof of a vehicle, showing our new design; FIG. 2 is a rear and bottom perspective view thereof; FIG. 3 is a front elevational view thereof; FIG. 4 is a rear elevational view thereof; FIG. 5 is a left side elevational view thereof; FIG. 6 is a right side elevational view thereof; FIG. 7 is a top plan view thereof; FIG. 8 is a bottom plan view thereof; FIG. 9 is an enlarged view of a portion labeled, 'FIG. 9' in FIG. 1;

FIG. 10 is an enlarged view of a portion labeled, 'FIG. 10' in FIG. 1;

FIG. 11 is an enlarged view of a portion labeled, 'FIG. 11' in FIG. 2; and,

FIG. 12 is a front perspective view of the inflatable tent on roof of a vehicle, showing the inflatable tent on roof of a vehicle placed on a car.

The dashed broken lines in the figures illustrate portions of the inflatable tent on roof of a vehicle that form no part of the claimed design. The dash dot dash lines in FIGS. 1, 2, 9, 10 and 11 are for the purpose of depicting the cut line of the enlarged view and form no part of the claim. The broken lines shown of a car and a ladder in FIG. 12 depict environmental structure that form no part of the claimed design.

1 Claim, 12 Drawing Sheets

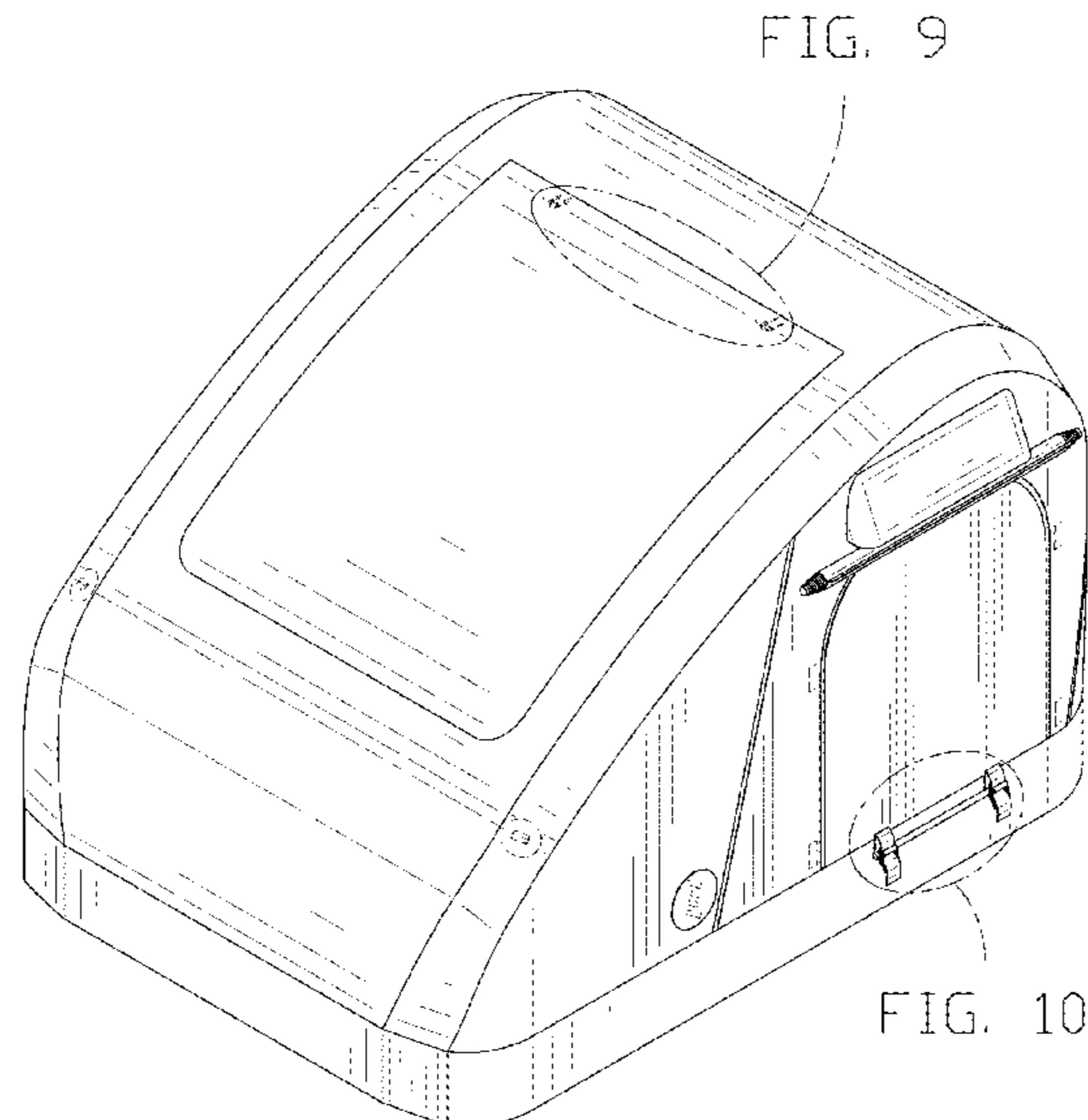


FIG. 9

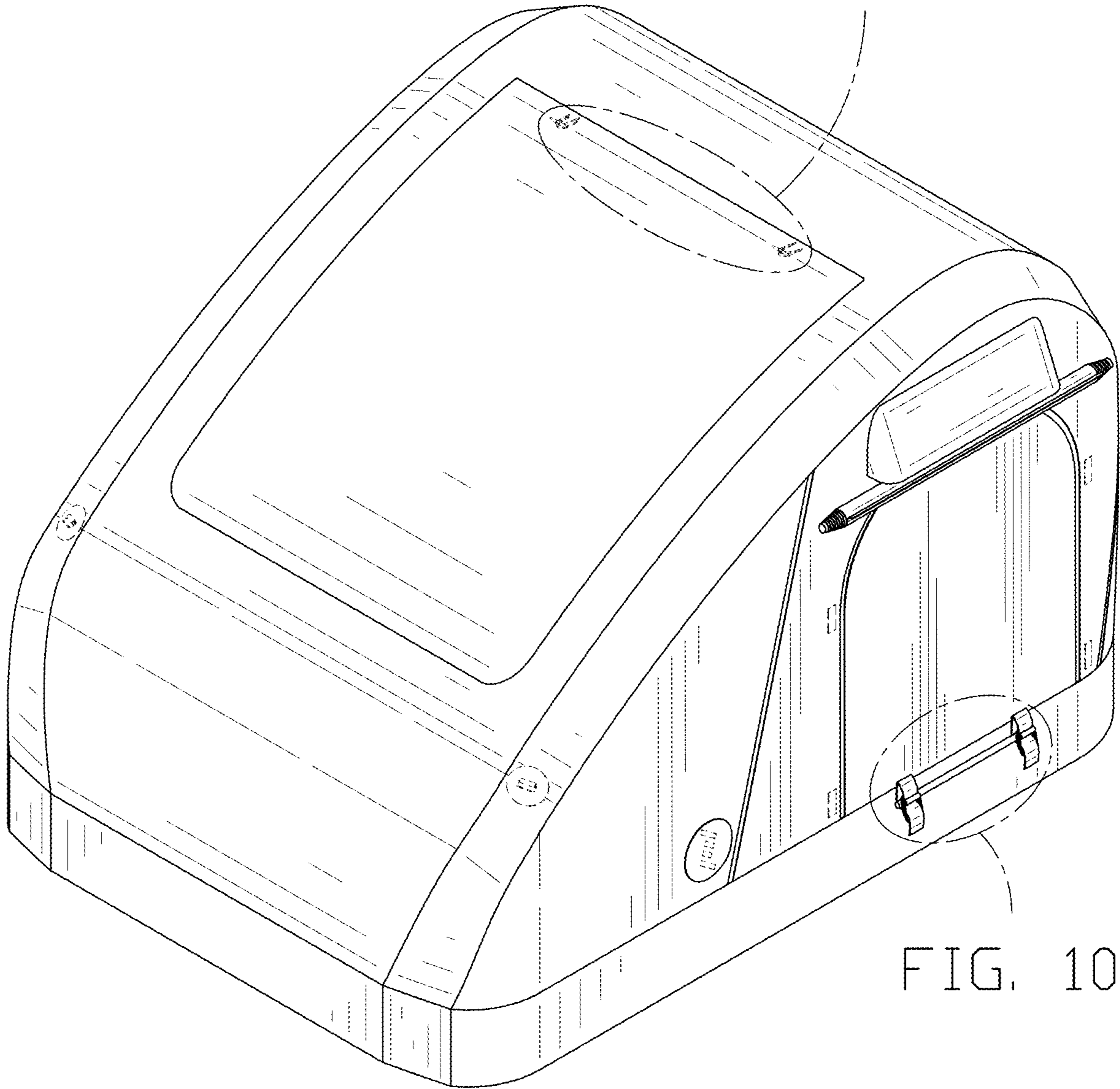


FIG. 10

FIG. 1

FIG. 11

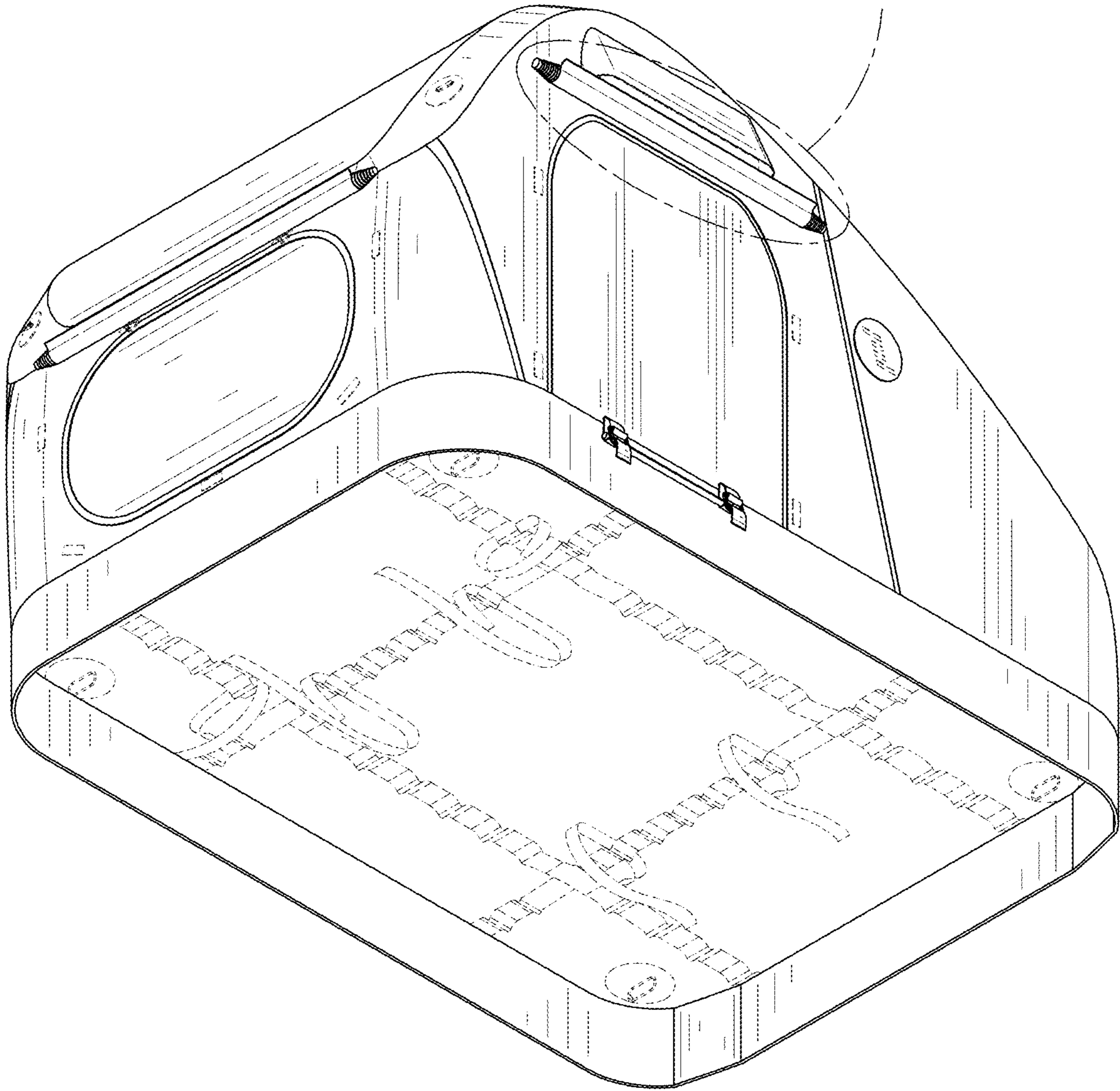


FIG. 2

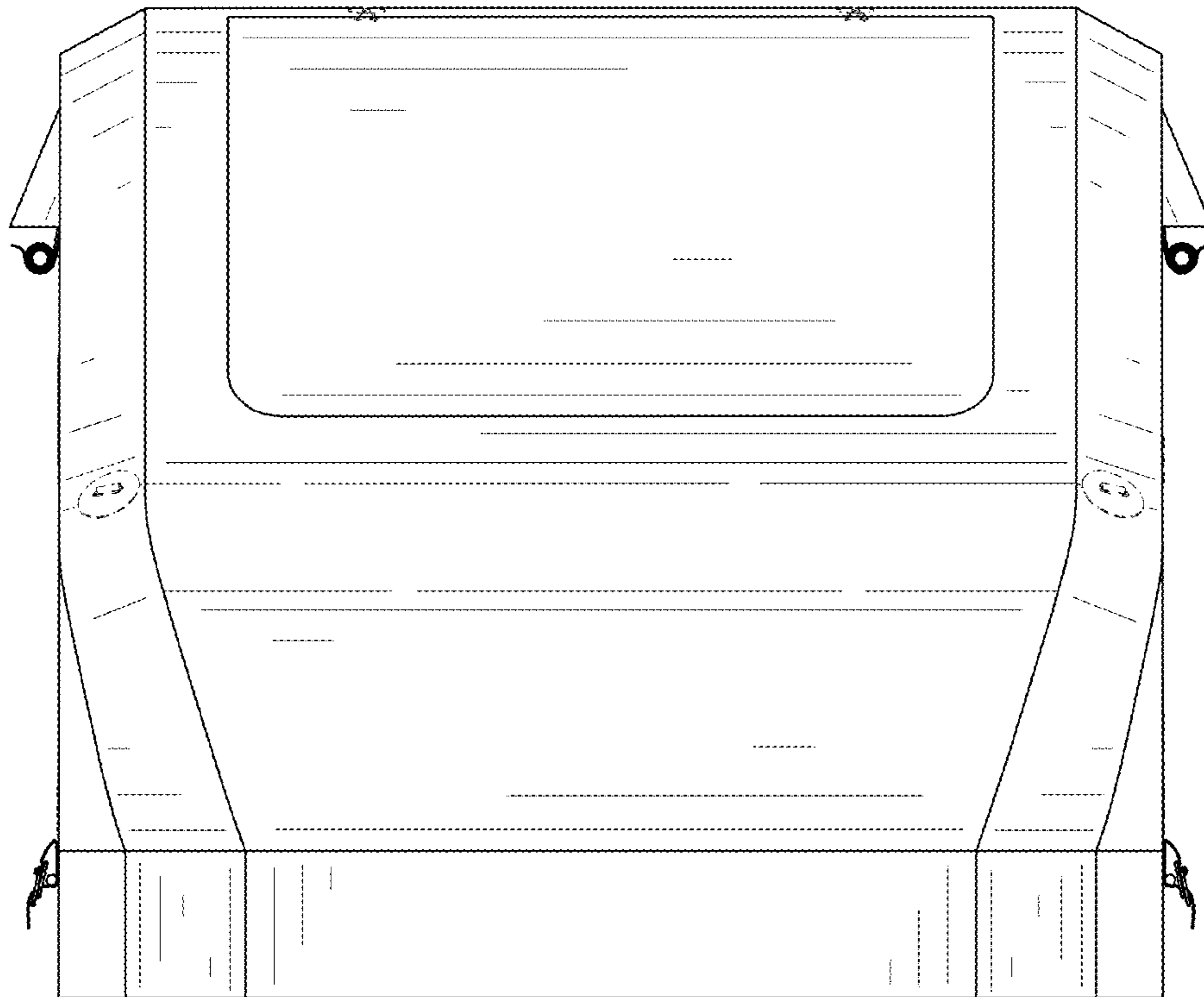


FIG. 3

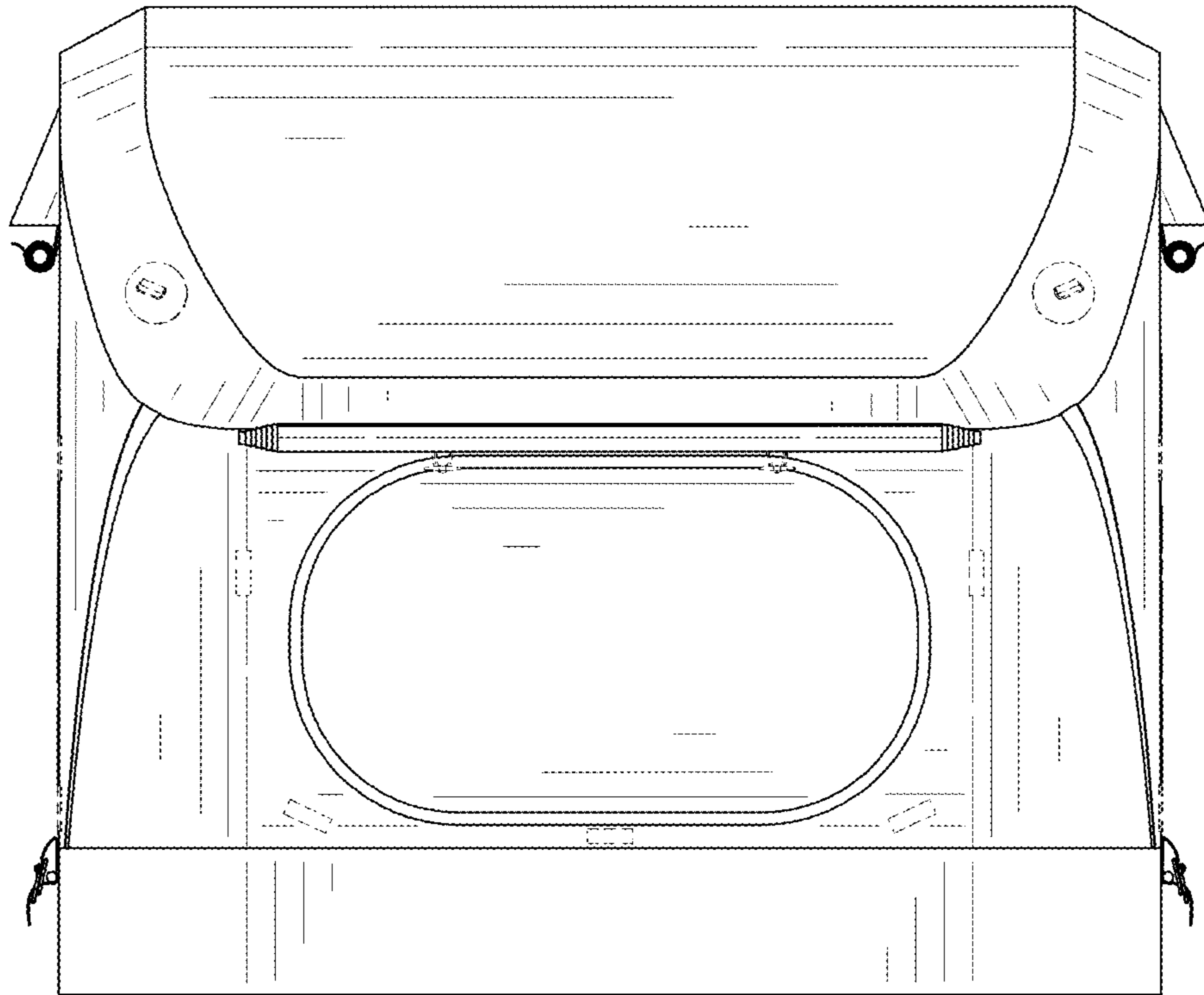


FIG. 4

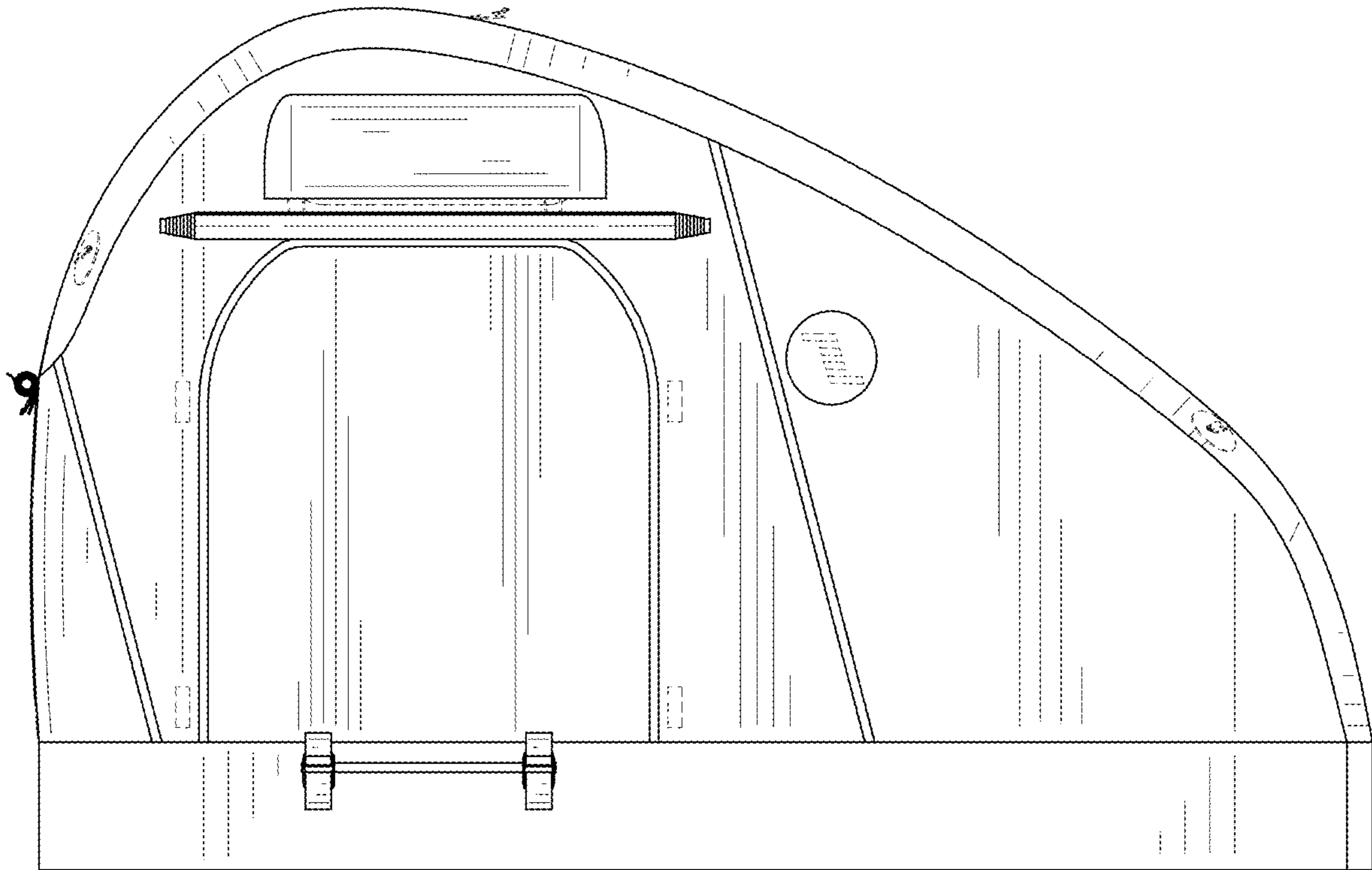


FIG. 5

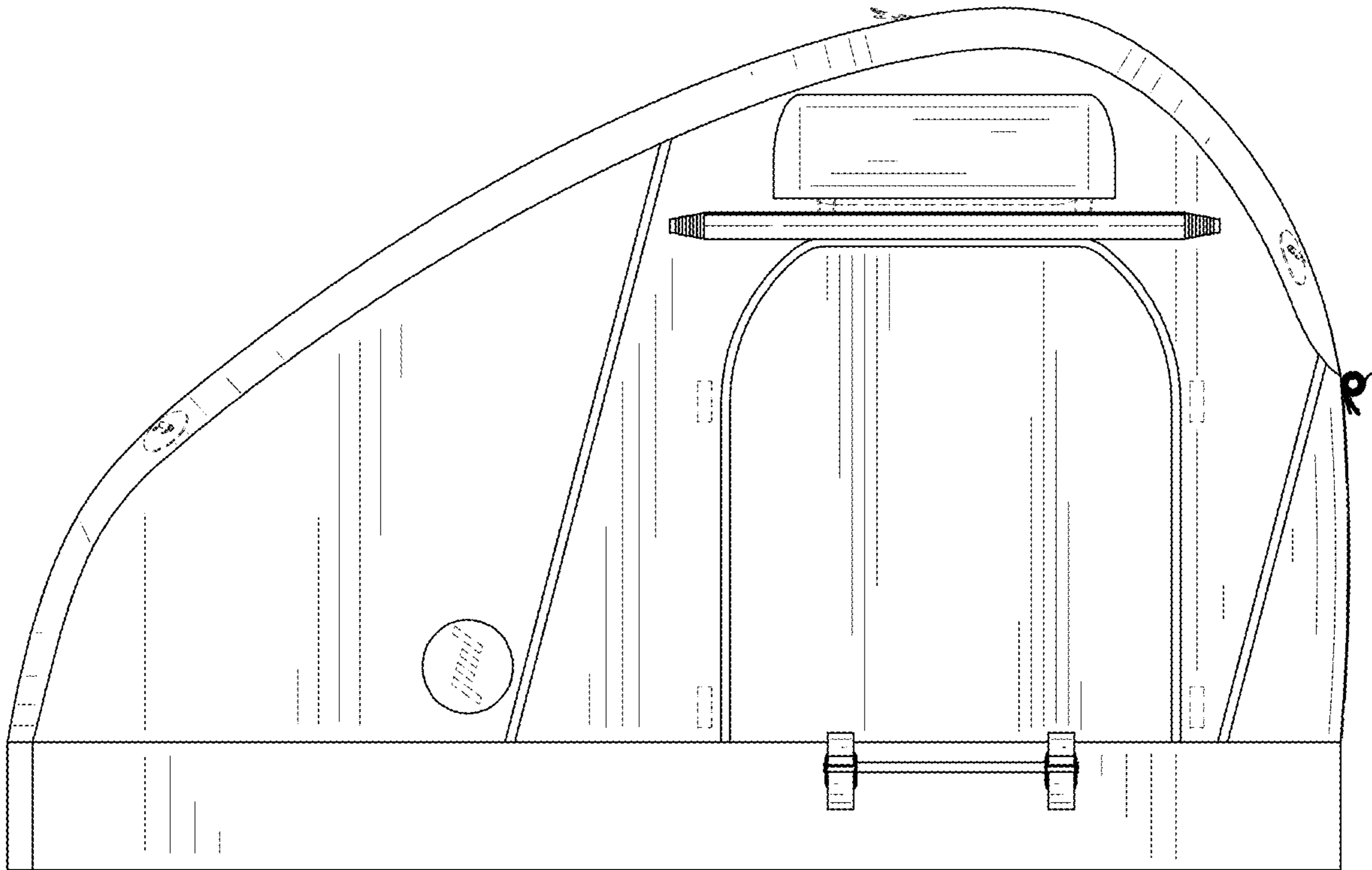


FIG. 6

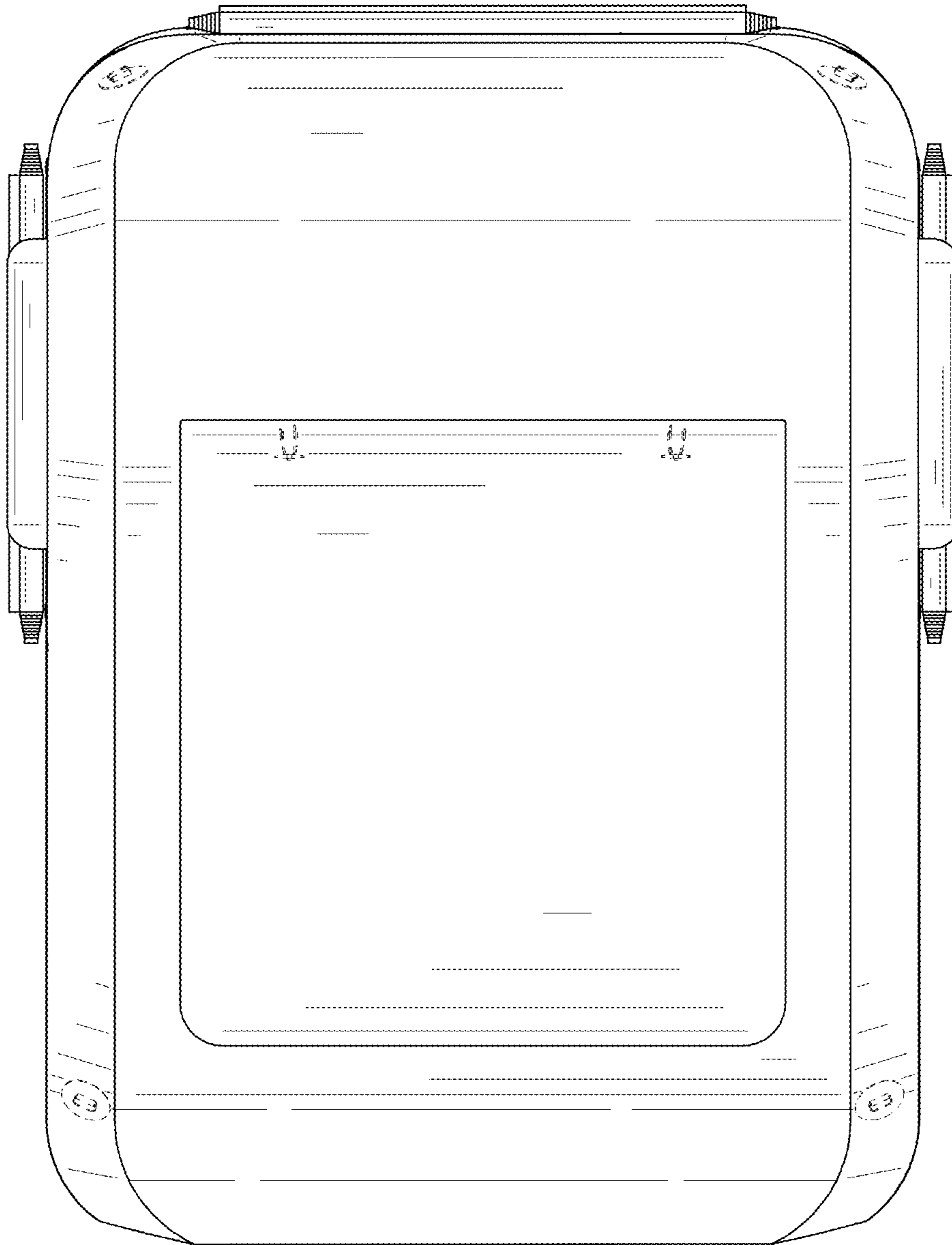


FIG. 7

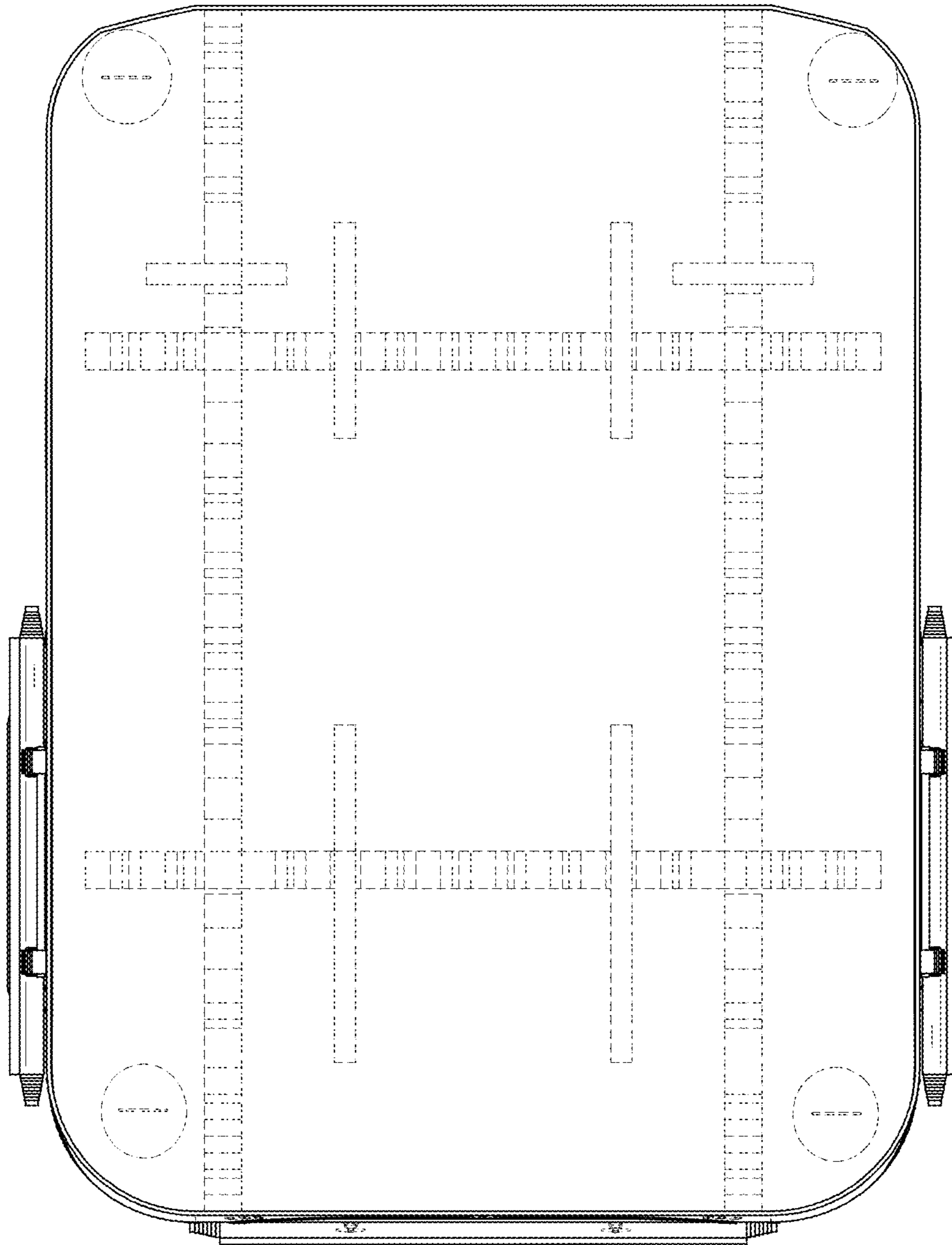


FIG. 8

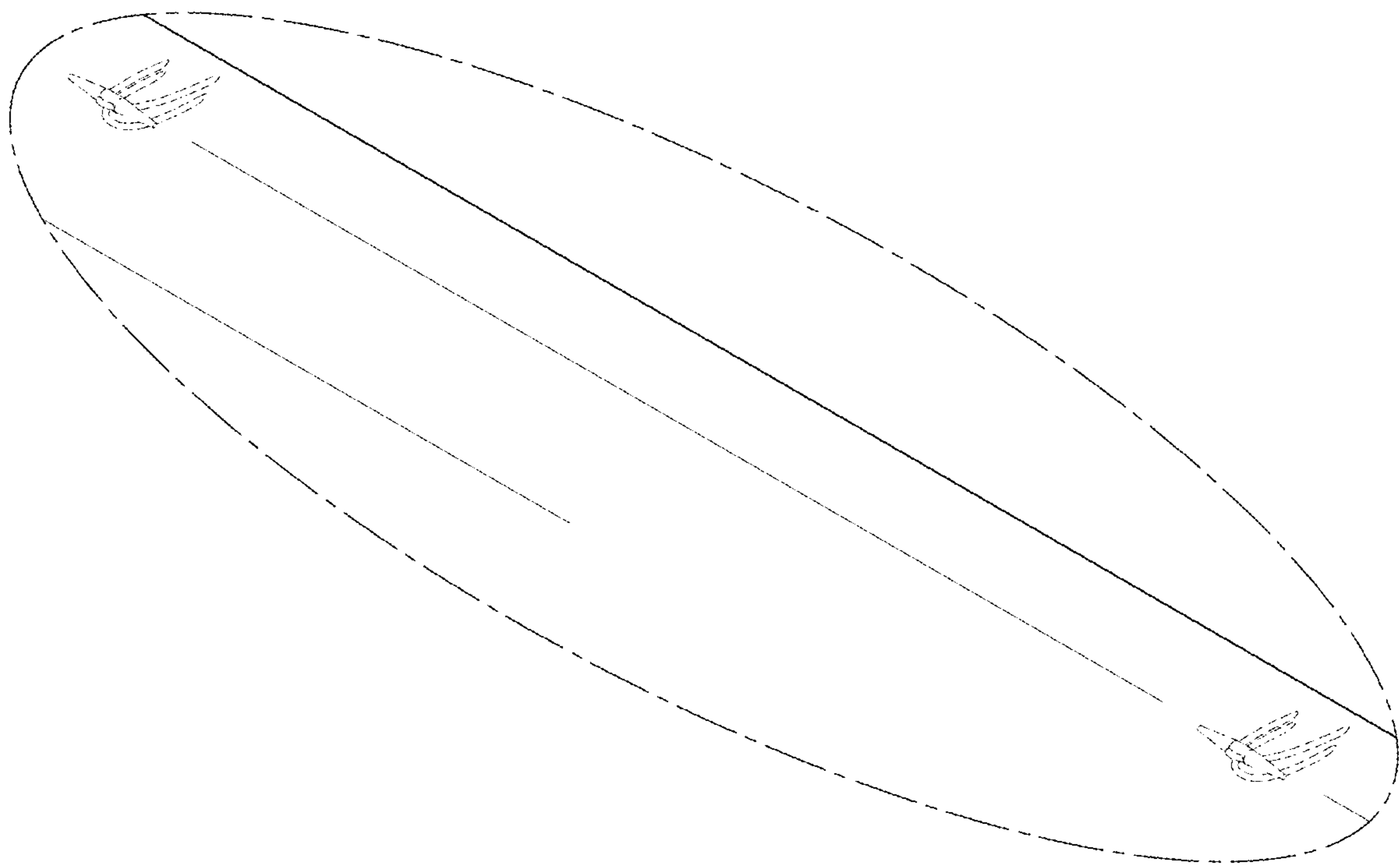


FIG. 9

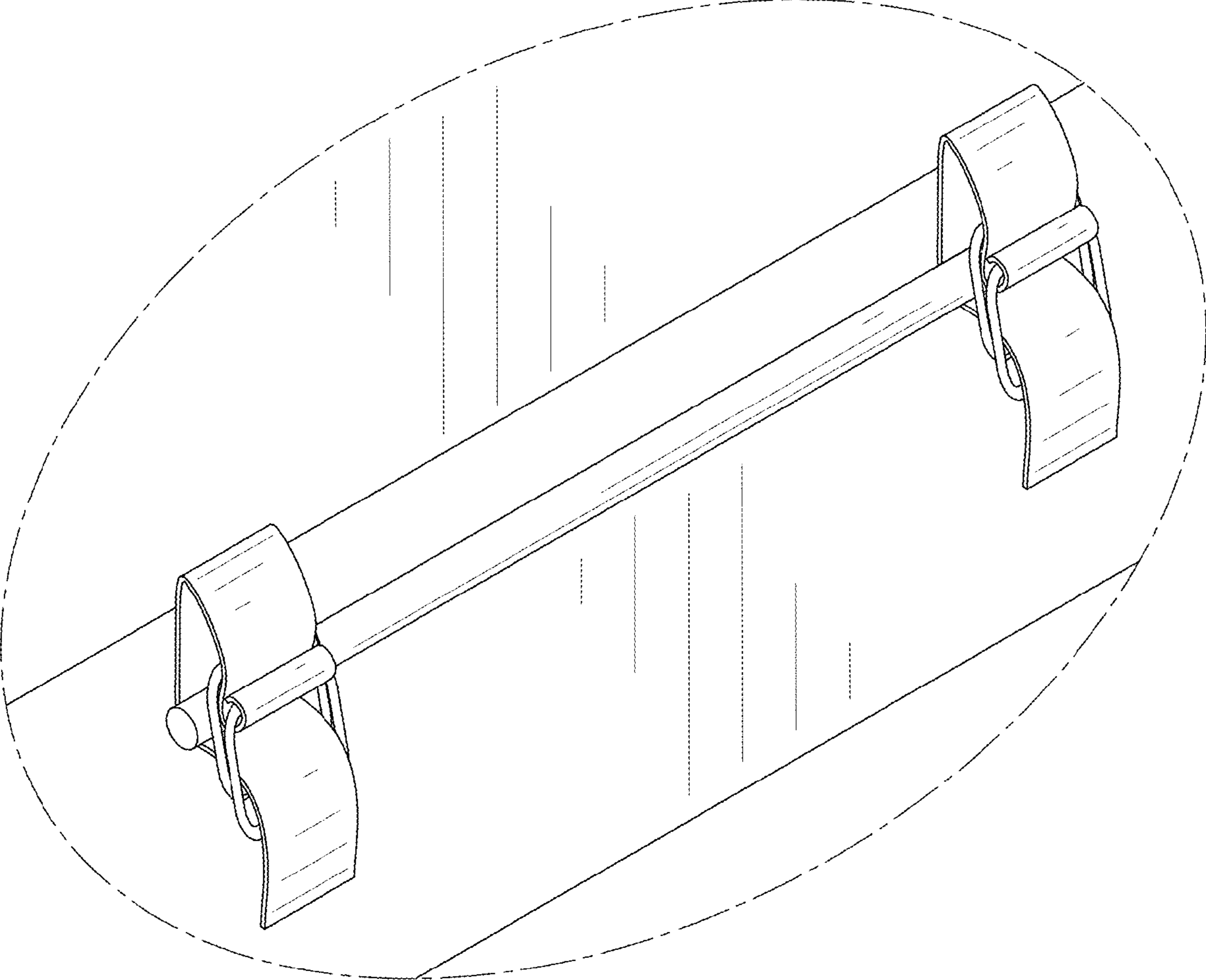


FIG. 10

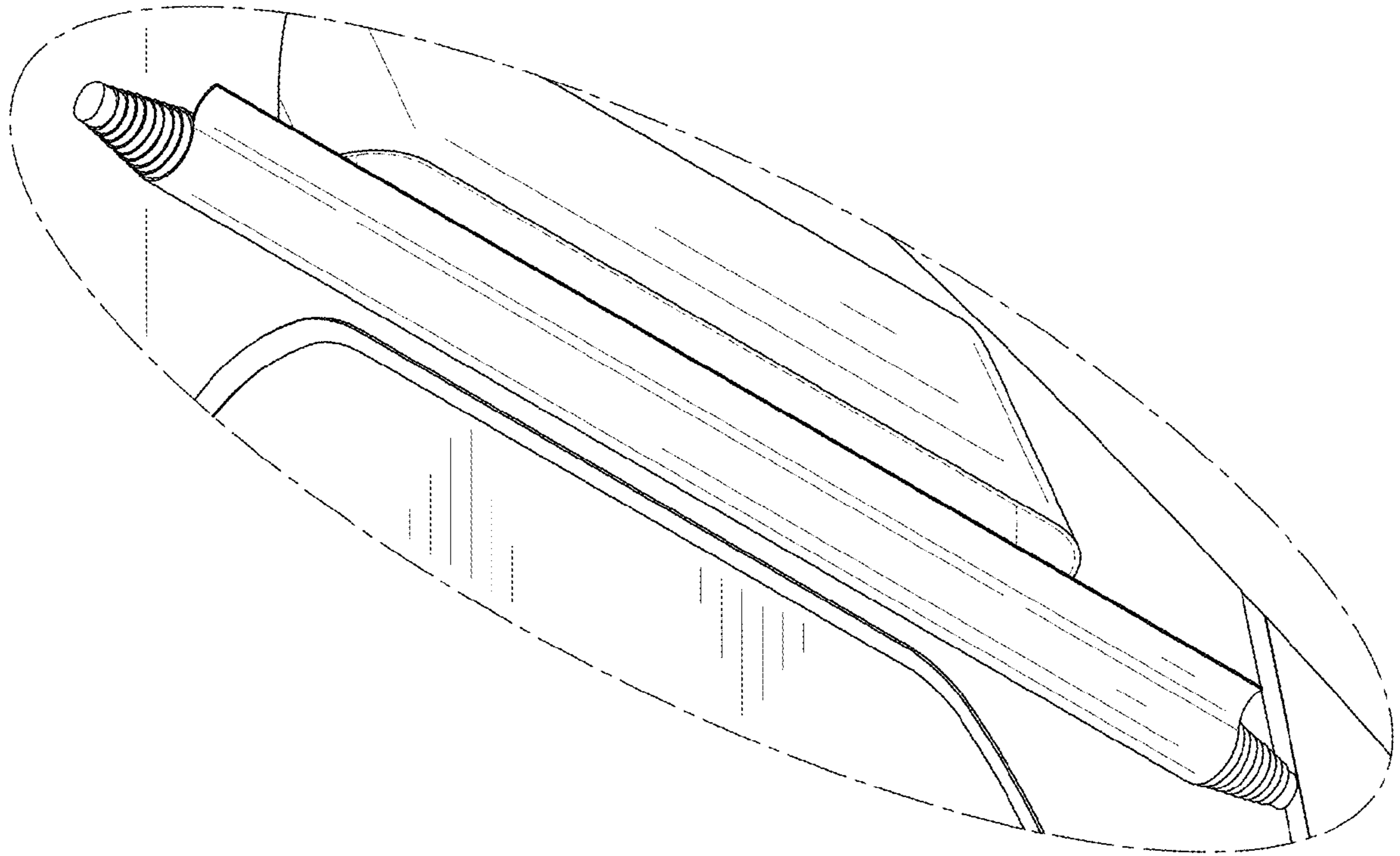


FIG. 11

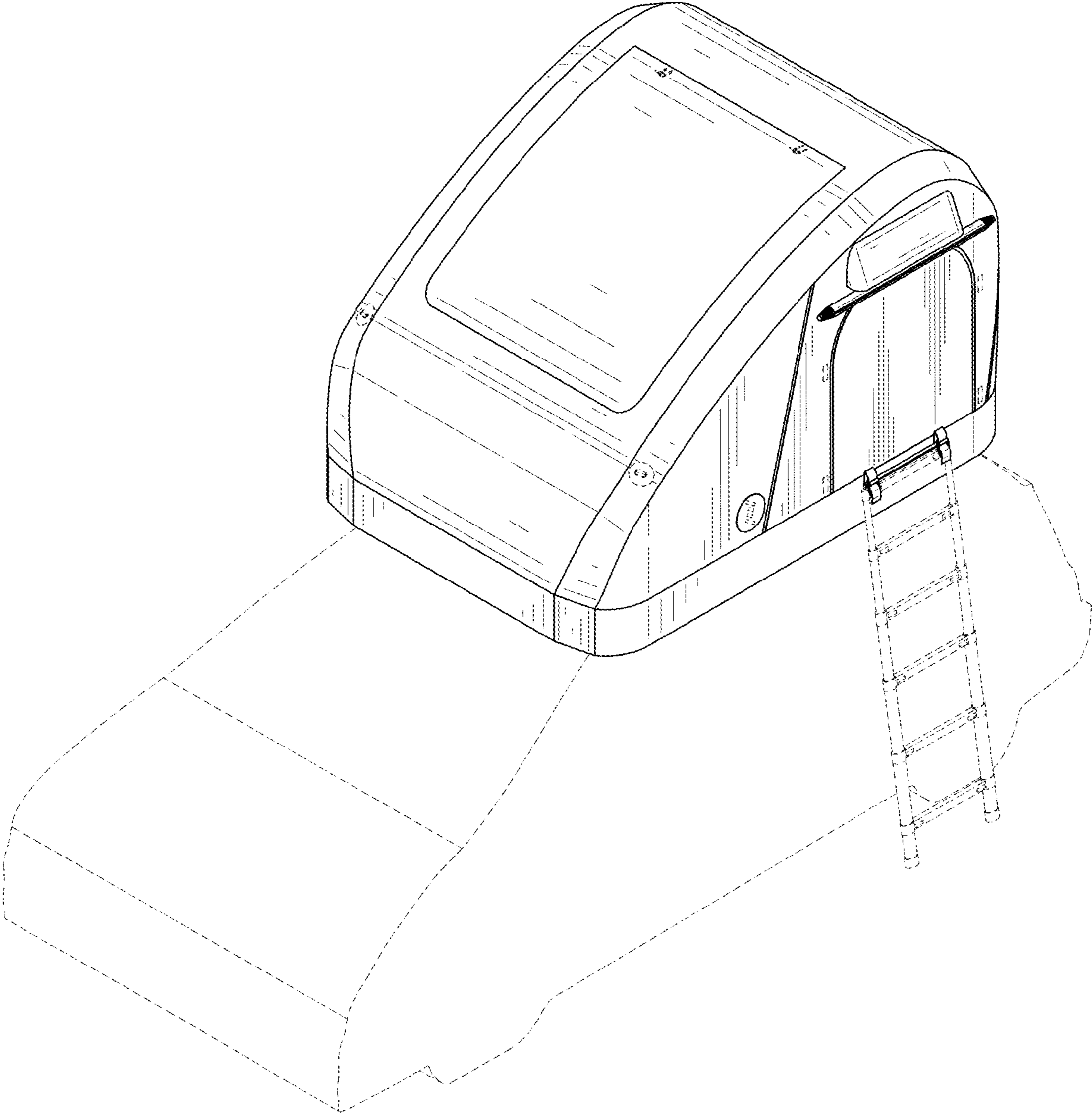


FIG. 12