



US00D935377S

(12) **United States Design Patent** (10) **Patent No.:** **US D935,377 S**
Triantafyllis (45) **Date of Patent:** **** Nov. 9, 2021**

(54) **WIRELESS REMOTE CONTROL FOR A BOAT INTERCEPTOR TRIM TAB**

(71) Applicant: **N. TRIANTAFYLLIS LTD-OLYMPIC ENGINEERING LTD**, Athens (GR)

(72) Inventor: **Nikolaos Triantafyllis**, Attiki (GR)

(73) Assignee: **N. TRIANTAFYLLIS LTD-OLYMPIC ENGINEERING LTD**, Athens (GR)

(**) Term: **15 Years**

(21) Appl. No.: **35/508,355**

(22) Filed: **Sep. 20, 2019**

(80) **Hague Agreement Data**

Int. Filing Date: **Sep. 20, 2019**
Int. Reg. No.: **DM/205174**
Int. Reg. Date: **Sep. 20, 2019**
Int. Reg. Pub. Date: **Jan. 17, 2020**

(51) **LOC (13) Cl.** **12-06**

(52) **U.S. Cl.**
USPC **D12/317; D14/218; D14/413**

(58) **Field of Classification Search**
USPC **D12/317, 318; D14/218, 412, 413, 138, D14/138 G, 203.3, 203.5, 203.7, 341; D15/4**
CPC **B63B 1/22; B63B 39/061; B63B 79/40**
See application file for complete search history.

(56) **References Cited**

U.S. PATENT DOCUMENTS

D271,312 S * 11/1983 Renteria D14/413
D469,109 S * 1/2003 Andre D14/203.7
D472,245 S * 3/2003 Andre D14/496
D488,811 S * 4/2004 Denhez D14/341
D516,576 S * 3/2006 Ive D14/203.7

D521,023 S * 5/2006 Kim D14/203.7
D528,528 S * 9/2006 Moon D14/138 G
D539,811 S * 4/2007 Lee D14/203.7
D554,625 S * 11/2007 Kato D14/218
D567,795 S * 4/2008 Cha D14/138 G
D570,346 S * 6/2008 Suk D14/138 AD
D570,838 S * 6/2008 Suk D14/138 AD

(Continued)

OTHER PUBLICATIONS

Moby and SR series presentation video, publication date Sep. 30, 2019, [online][site visited Dec. 3, 2020] URL: <https://www.youtube.com/watch?v=OUOoUpNJ9iU> (Year: 2019).*

(Continued)

Primary Examiner — L. A. Grabenstetter

(74) *Attorney, Agent, or Firm* — Lucas & Mercanti, LLP; Klaus P. Stoffel

(57) **CLAIM**

The ornamental design for a wireless remote control for a boat interceptor trim tab, as shown and described.

DESCRIPTION

The patent or application file contains at least one drawing executed in color. Copies of this patent or patent application publication with color drawing(s) will be provided by the Office upon request and payment of the necessary fee.

1. Wireless remote control for a boat interceptor trim tab

- 1.1 : Front
- 1.2 : Back
- 1.3 : Perspective
- 1.4 : Right
- 1.5 : Left
- 1.6 : Top
- 1.7 : Bottom

The portions of the wireless remote control for a boat interceptor trim tab shown with purple overlay form no part of the claimed design.

1 Claim, 7 Drawing Sheets
(7 of 7 Drawing Sheet(s) Filed in Color)



(56)

References Cited

U.S. PATENT DOCUMENTS

D578,140 S * 10/2008 Sheba D14/496
D590,730 S * 4/2009 Simard D10/50
D593,535 S * 6/2009 Sheba D14/203.3
D624,071 S * 9/2010 Dan D14/341
7,795,553 B2 * 9/2010 Weber H01H 13/705
200/341
D632,294 S * 2/2011 Frank D14/413
D659,671 S * 5/2012 Andre D14/203.7
D706,268 S * 6/2014 Beams D14/413
D720,017 S * 12/2014 Fujino D21/329
D742,858 S * 11/2015 Morisawa D14/218
D784,296 S * 4/2017 Katsuno D14/218
D789,438 S * 6/2017 Kim D16/237
2012/0079977 A1 * 4/2012 Gai B63B 39/061
114/285
2013/0312651 A1 * 11/2013 Gai B63B 1/22
114/285

OTHER PUBLICATIONS

Moby, Trim tabs Controllers—Hydrotab, earliest web archive date
Sep. 29, 2020, [online][site visited Dec. 3, 2020] URL: <https://www.hydrotab.gr/trim-tabs-controllers/> (Year: 2020).*

* cited by examiner

1.1



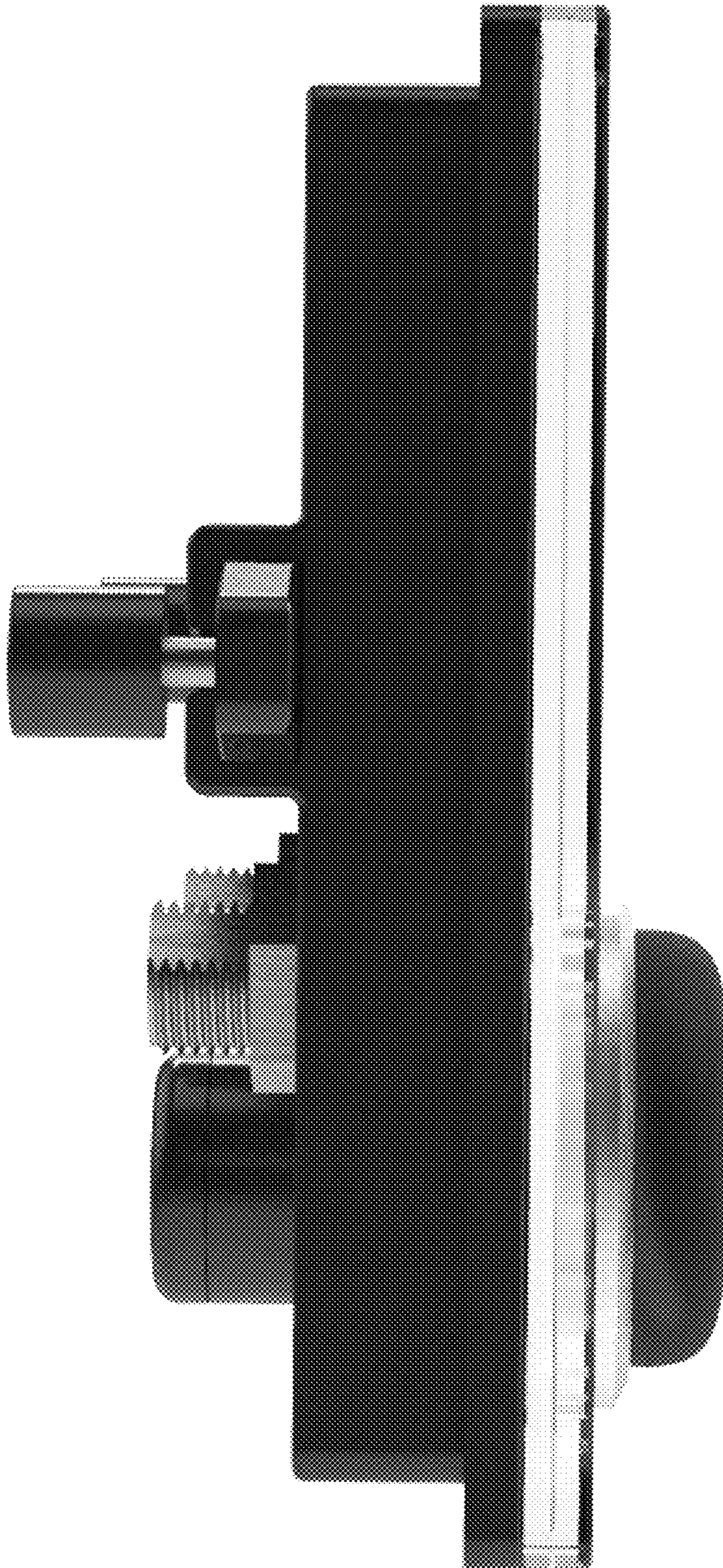
1.2



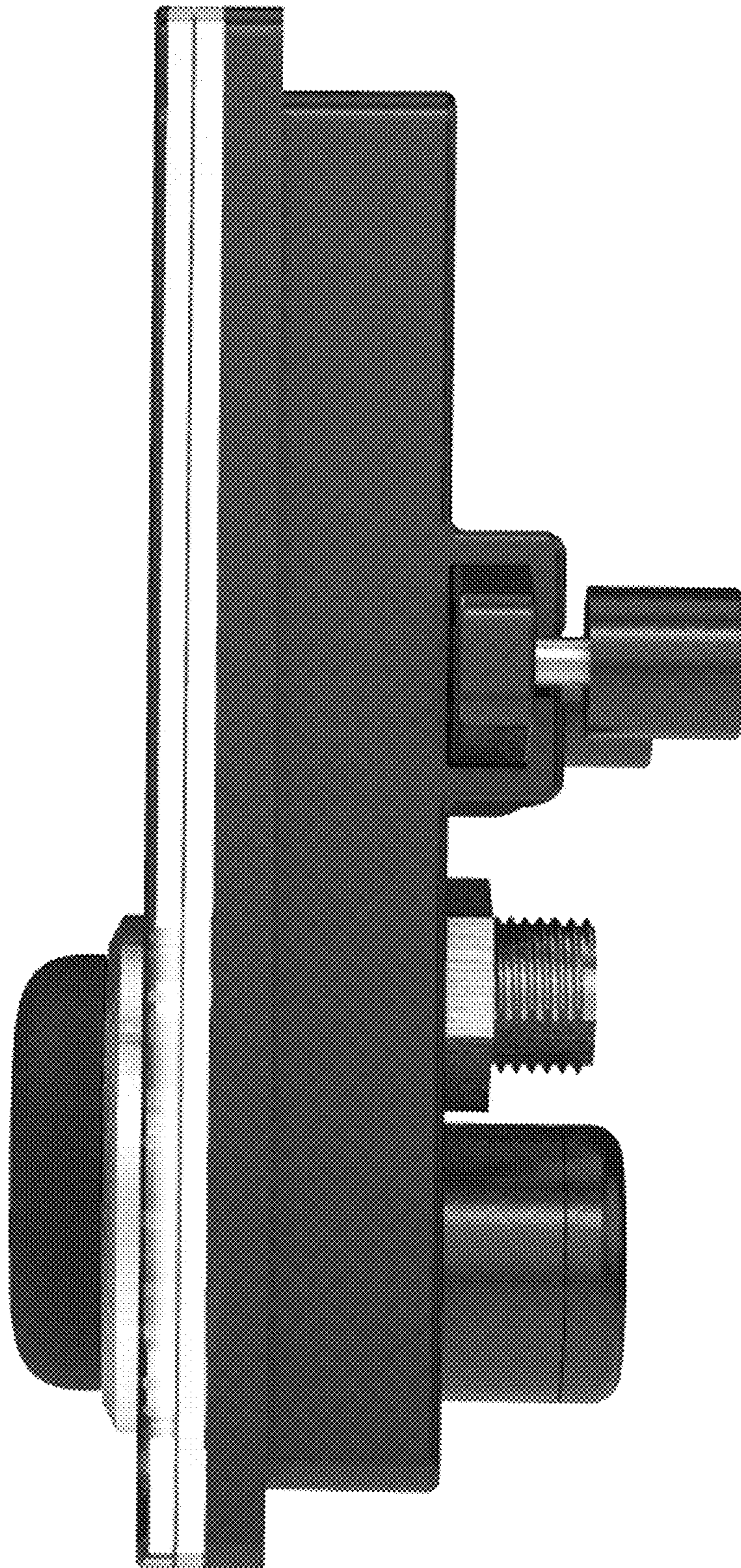
1.3



1.4



1.5



1.6



1.7

