



US00D935374S

(12) **United States Design Patent**
Zelenak

(10) **Patent No.:** **US D935,374 S**

(45) **Date of Patent:** **** Nov. 9, 2021**

(54) **VEHICLE WHEEL**

(71) Applicant: **Claus Ettensberger Corp**, West Los Angeles, CA (US)

(72) Inventor: **Gergö Zelenak**, Rheinstetten (DE)

(73) Assignee: **CLAUS ETTENSBERGER CORP.**, West Los Angeles, CA (US)

(**) Term: **15 Years**

(21) Appl. No.: **29/751,104**

(22) Filed: **Sep. 18, 2020**

(51) **LOC (13) Cl.** **12-16**

(52) **U.S. Cl.**
USPC **D12/209**

(58) **Field of Classification Search**
USPC D12/204–213; D21/563
CPC B60B 7/00; B60B 7/02; B60B 7/04; B60B 7/01; B60B 7/06; B60B 3/02; B60B 3/04; B60B 3/06; B60B 3/10; B60B 1/00; B60B 1/08; B60B 1/10; B60B 1/12
See application file for complete search history.

(56) **References Cited**

U.S. PATENT DOCUMENTS

2,022,041 A	11/1935	Kliesrath	
D455,701 S *	4/2002	McMath	D12/209
D578,457 S *	10/2008	Guidry	D12/211
D578,947 S *	10/2008	Arora	D12/209
D678,163 S *	3/2013	Tirado	D12/209
D730,799 S *	6/2015	Hans	D12/209
D748,558 S	2/2016	Hans et al.	
D763,768 S	8/2016	Henderson	
D781,206 S	3/2017	Giolito	
D786,159 S	5/2017	Boyd et al.	
D786,163 S	5/2017	Wuescher	
D790,422 S *	6/2017	Hodges	D12/209
D791,040 S *	7/2017	Umehara	D12/209
D793,318 S	8/2017	Guo et al.	

D793,939 S	8/2017	Hans et al.	
D817,247 S *	5/2018	Valencia Pollex	D12/209
D823,223 S	7/2018	Sempek et al.	
D826,126 S *	8/2018	Valencia Pollex	D12/209
D828,267 S	9/2018	Badstuebner et al.	
D828,801 S *	9/2018	Valencia Pollex	D12/209
D834,485 S *	11/2018	Manzoni	D12/209
D838,224 S *	1/2019	Pollex	D12/209
D838,650 S *	1/2019	Han	D12/209
D840,900 S *	2/2019	Lickliter	D12/211
D858,409 S *	9/2019	Kolb	D12/209

(Continued)

FOREIGN PATENT DOCUMENTS

DE	3345476 A1	6/1985
DE	3737243 A1	5/1988

(Continued)

OTHER PUBLICATIONS

Notice of Allowance (dated Apr. 3, 2019) for U.S. Appl. No. 29/639,709, filed Mar. 8, 2018.

(Continued)

Primary Examiner — Stacia A Cadmus
(74) *Attorney, Agent, or Firm* — Schmeiser, Olsen & Watts, LLP

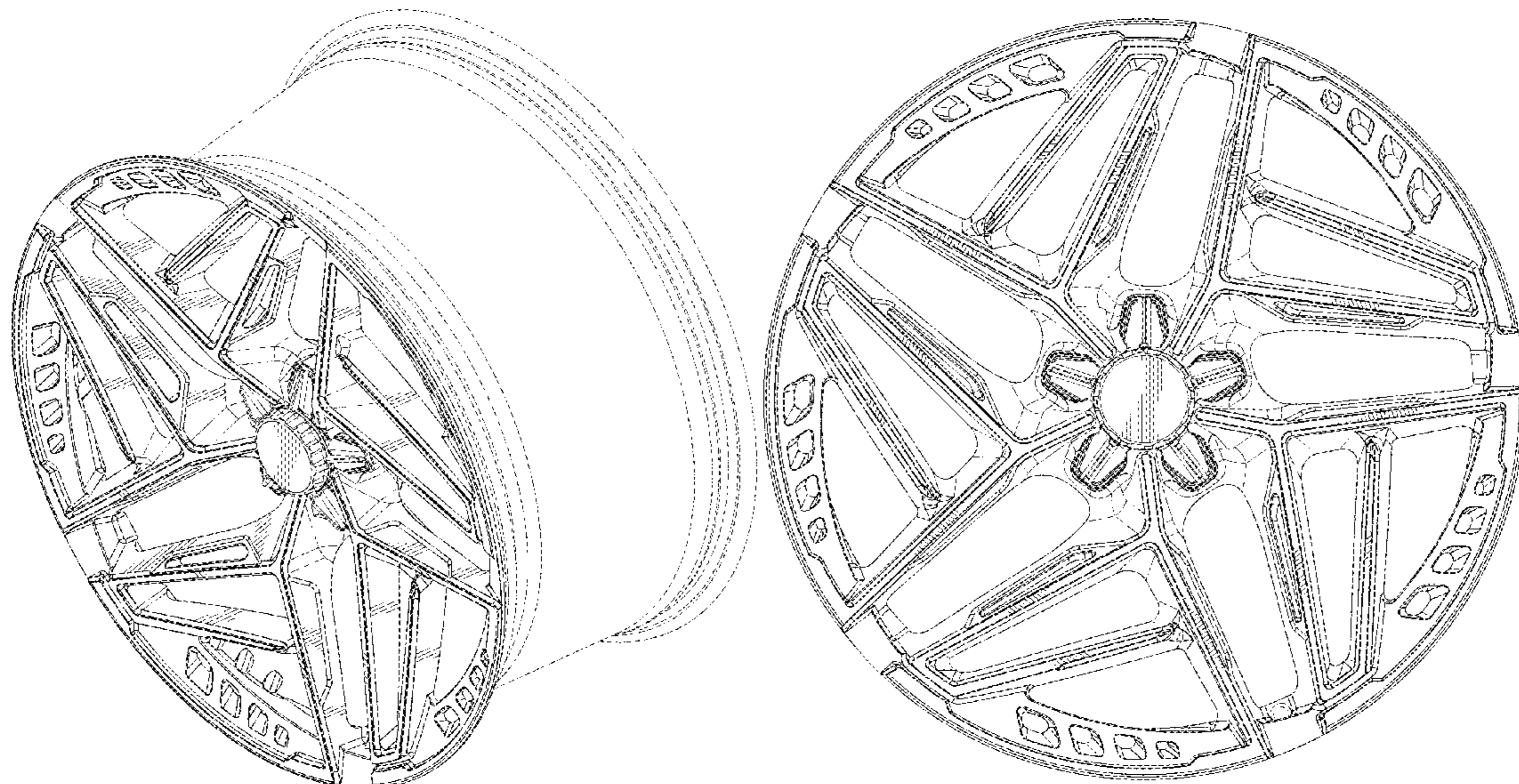
(57) **CLAIM**

The ornamental design for vehicle wheel, as shown and described.

DESCRIPTION

FIG. 1 is a front, top, right perspective view of a vehicle wheel, showing my new design; FIG. 2 is a front view thereof; and, FIG. 3 is a side view thereof. In the drawings the broken lines depict portions of the wheel that form no part of the claimed design.

1 Claim, 3 Drawing Sheets



(56)

References Cited

U.S. PATENT DOCUMENTS

D870,628	S	*	12/2019	Bjerke	D12/209
D872,670	S	*	1/2020	Yeh	D12/209
D877,028	S	*	3/2020	Kusunoki	D12/209
D878,991	S	*	3/2020	Tomasson	D12/209
D879,002	S	*	3/2020	Daniel	D12/209
D879,695	S	*	3/2020	Daniel	D12/209
D887,941	S	*	6/2020	Han	D12/209
D889,354	S	*	7/2020	Yang	D12/209
D892,014	S	*	8/2020	Cenan	D12/209
D897,258	S	*	9/2020	Licklitter	D12/209
D897,259	S	*	9/2020	Daniel	D12/209

FOREIGN PATENT DOCUMENTS

FR	2986468	A1	8/2013
GB	1526046	A	9/1978

OTHER PUBLICATIONS

Office Action (dated Nov. 12, 2019) for U.S. Appl. No. 15/916,485, filed Mar. 9, 2018.

Notice of Allowance (dated Jun. 17, 2020) for U.S. Appl. No. 15/916,485, filed Mar. 9, 2018.

* cited by examiner

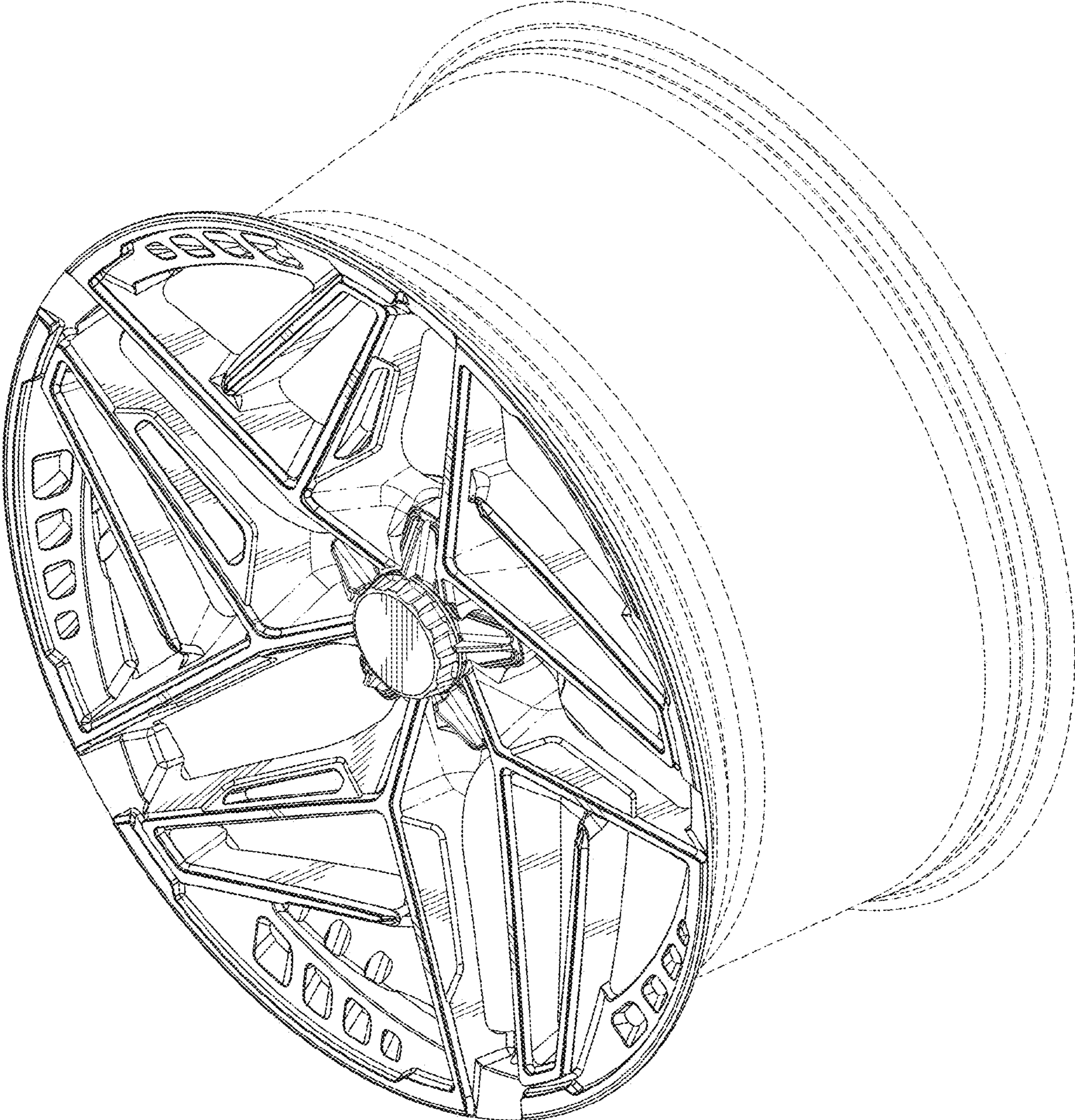


FIG. 1

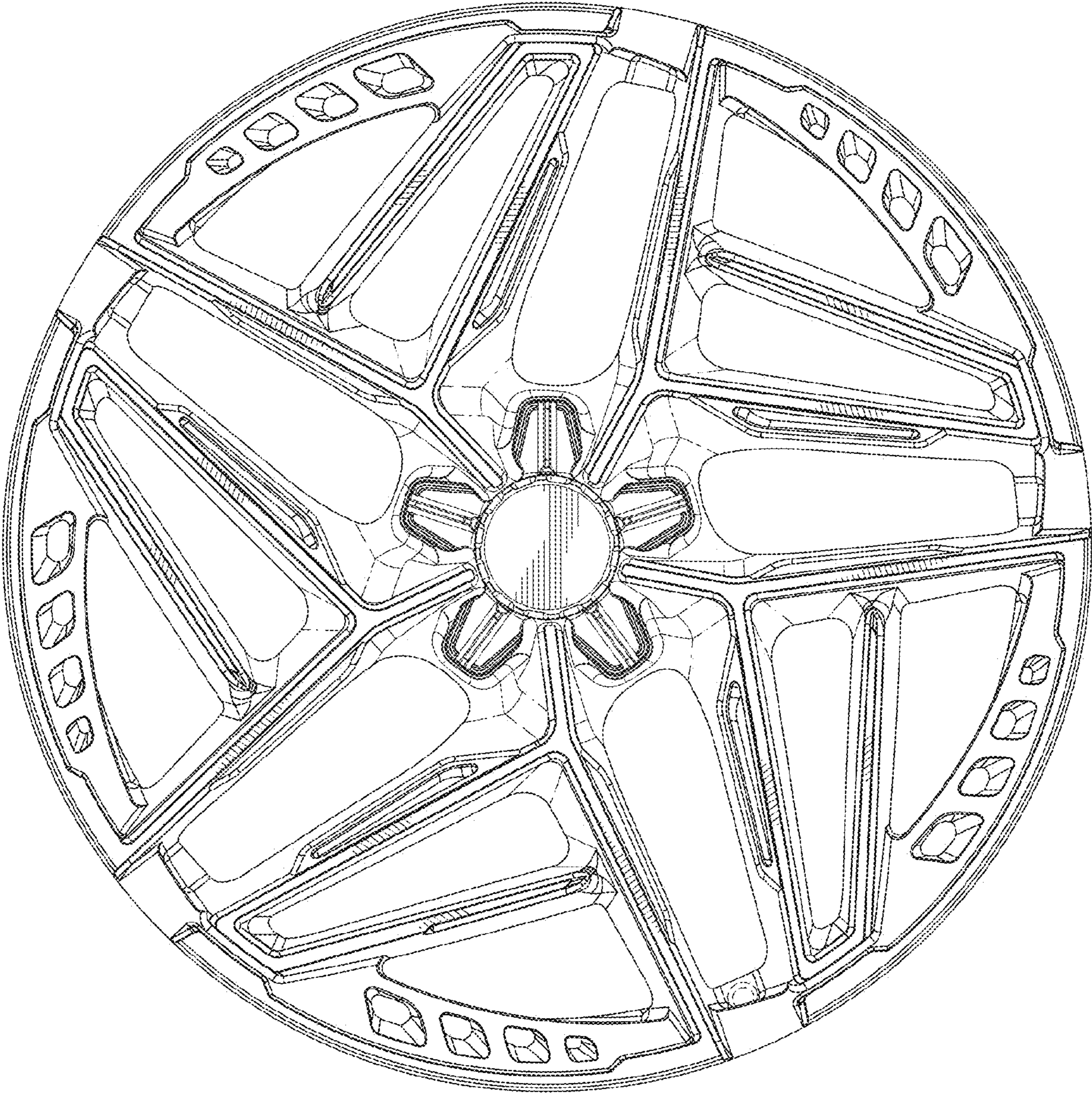


FIG. 2

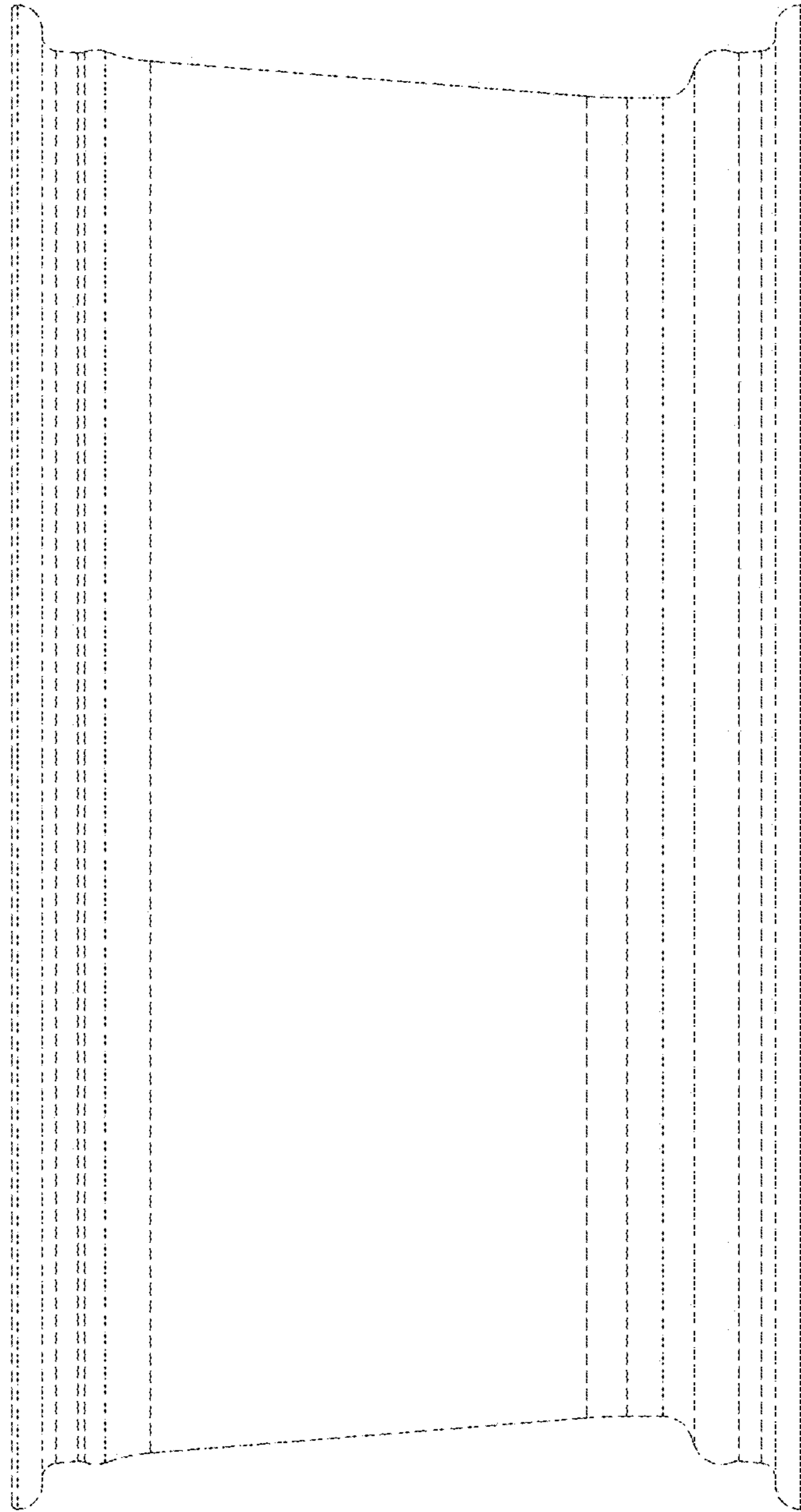


FIG. 3