



US00D935371S

(12) **United States Design Patent**  
**Mukti**

(10) **Patent No.:** **US D935,371 S**

(45) **Date of Patent:** **\*\* Nov. 9, 2021**

(54) **VEHICLE WHEEL**

(71) Applicant: **Quarsa, LLC**, Chino, CA (US)

(72) Inventor: **Ali Mukti**, Surabaya (ID)

(73) Assignee: **Quarsa, LLC**, Chino, CA (US)

(\*\*) Term: **15 Years**

(21) Appl. No.: **29/740,983**

(22) Filed: **Jul. 8, 2020**

(51) **LOC (13) Cl.** ..... **12-16**

(52) **U.S. Cl.**  
USPC ..... **D12/209**

(58) **Field of Classification Search**  
USPC ..... D12/204–213; D21/563  
CPC .... B60B 7/00; B60B 7/02; B60B 7/04; B60B  
7/01; B60B 7/06; B60B 3/02; B60B 3/04;  
B60B 3/06; B60B 3/10; B60B 1/00;  
B60B 1/08; B60B 1/10; B60B 1/12  
See application file for complete search history.

D714,704 S *	10/2014	Kim .....	D12/211
D733,026 S *	6/2015	Chung .....	D12/211
D736,137 S *	8/2015	Chung .....	D12/213
D792,313 S *	7/2017	Langhals .....	D12/211
D799,398 S *	10/2017	Liffick .....	D12/211
D810,648 S *	2/2018	Chung .....	D12/209
D833,949 S *	11/2018	Sempek .....	D12/211
D838,225 S *	1/2019	Valencia Pollex .....	D12/209
D842,190 S *	3/2019	Han .....	D12/209
D850,350 S *	6/2019	Tran .....	D12/211
D859,276 S *	9/2019	Valencia Pollex .....	D12/211
D860,094 S *	9/2019	Milani .....	D12/209
D883,890 S *	5/2020	Metros .....	D12/209
D897,922 S *	10/2020	Macey .....	D12/209
D901,354 S *	11/2020	Aneiros .....	D12/209
D911,902 S *	3/2021	Liu .....	D12/209

\* cited by examiner

*Primary Examiner* — Stacia A Cadmus

(74) *Attorney, Agent, or Firm* — Snell & Wilmer L.L.P.

(57) **CLAIM**

I claim the ornamental design for a vehicle wheel, as shown and described.

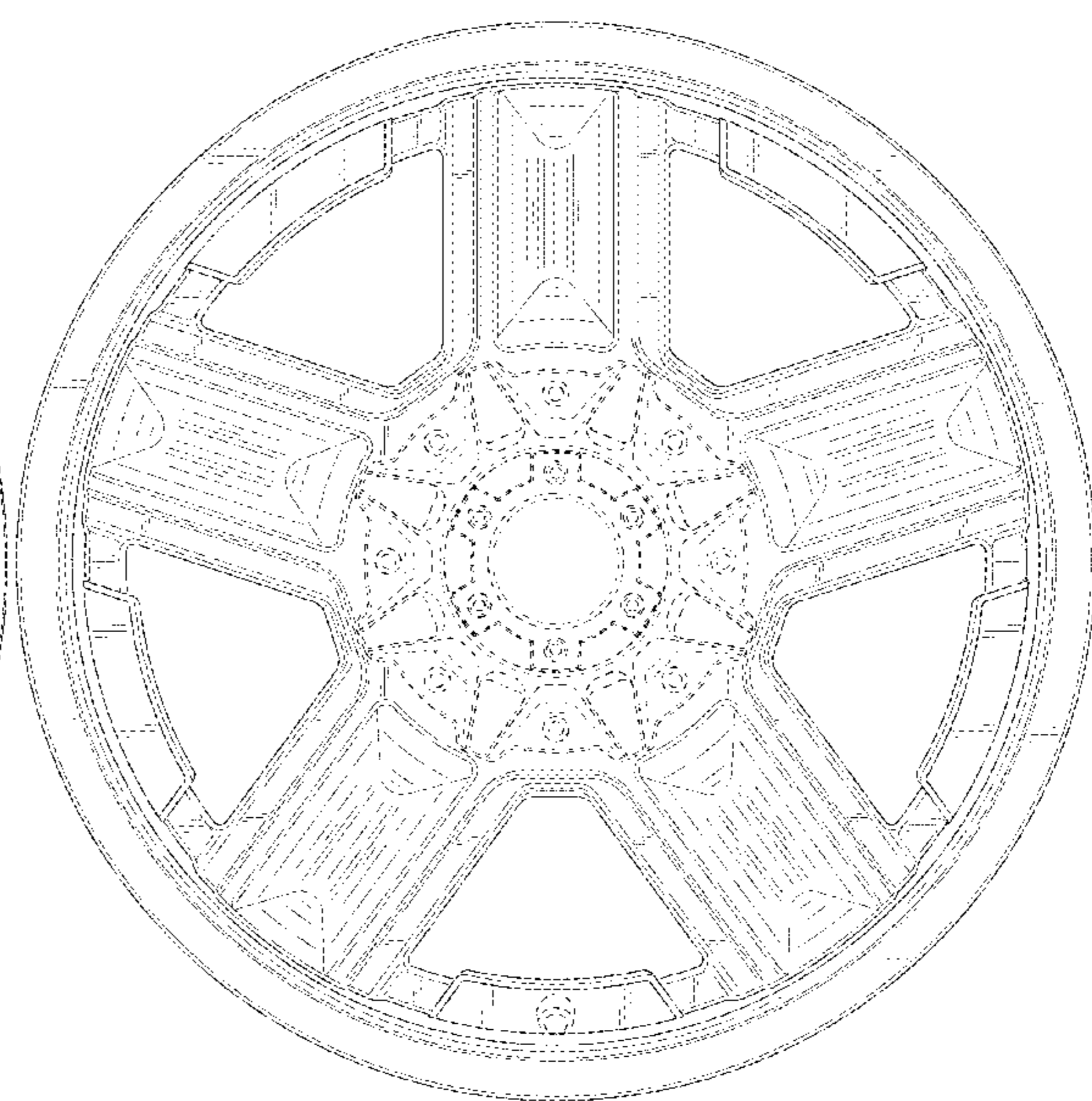
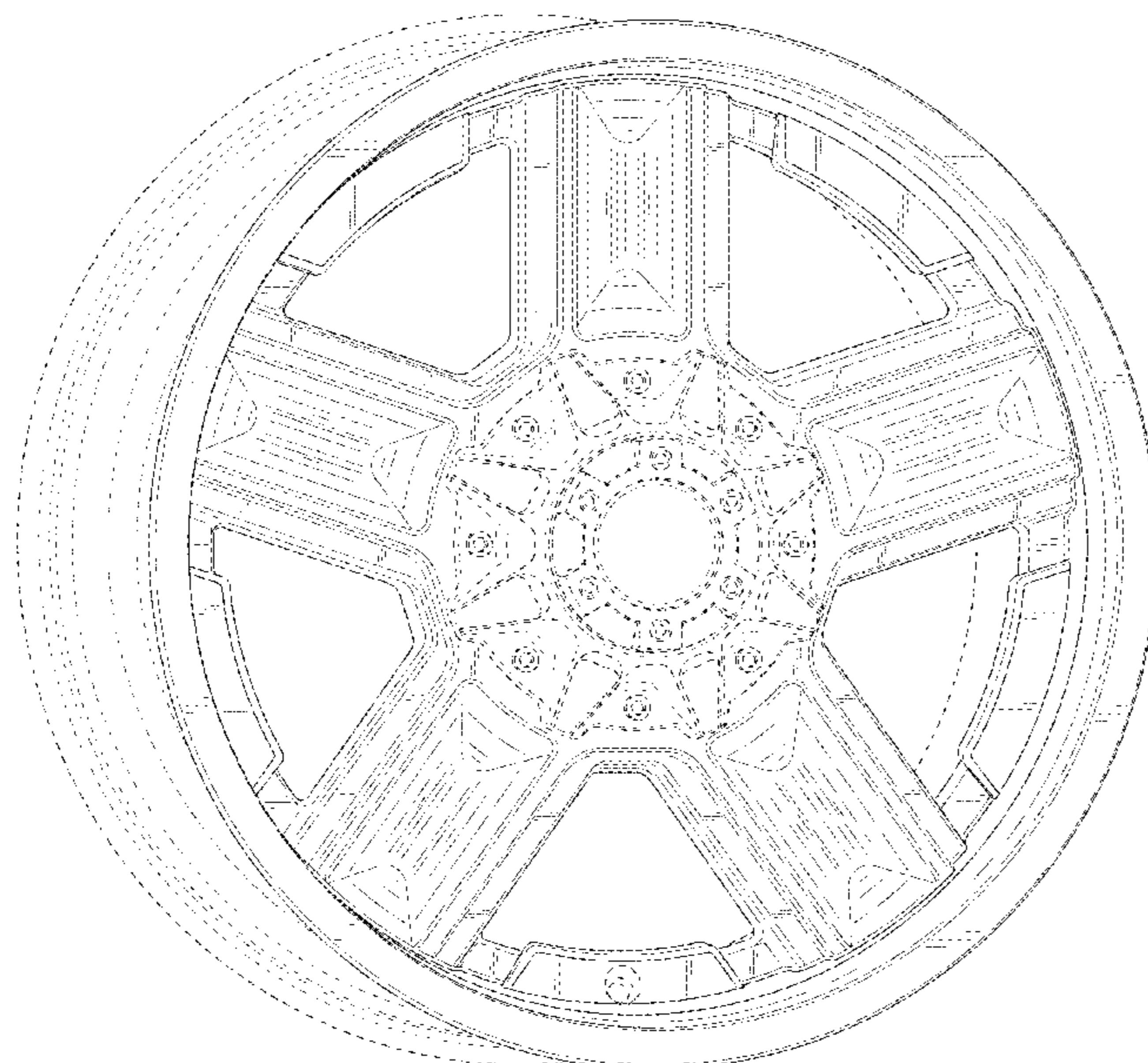
**DESCRIPTION**

FIG. 1 is a top perspective view of the vehicle wheel showing my new design; and, FIG. 2 is a front view of the vehicle wheel of FIG. 1. In the drawings, the broken lines depict portions of the vehicle wheel and form no part of the claimed design.

**1 Claim, 2 Drawing Sheets**

(56) **References Cited**  
U.S. PATENT DOCUMENTS

D486,110 S *	2/2004	Elmitt .....	D12/211
D509,783 S *	9/2005	Fitzgerald .....	D12/211
D535,934 S *	1/2007	Scheu .....	D12/211
D551,150 S *	9/2007	Hueller .....	D12/211
D701,481 S *	3/2014	Chung .....	D12/211
D709,018 S *	7/2014	Chung .....	D12/211



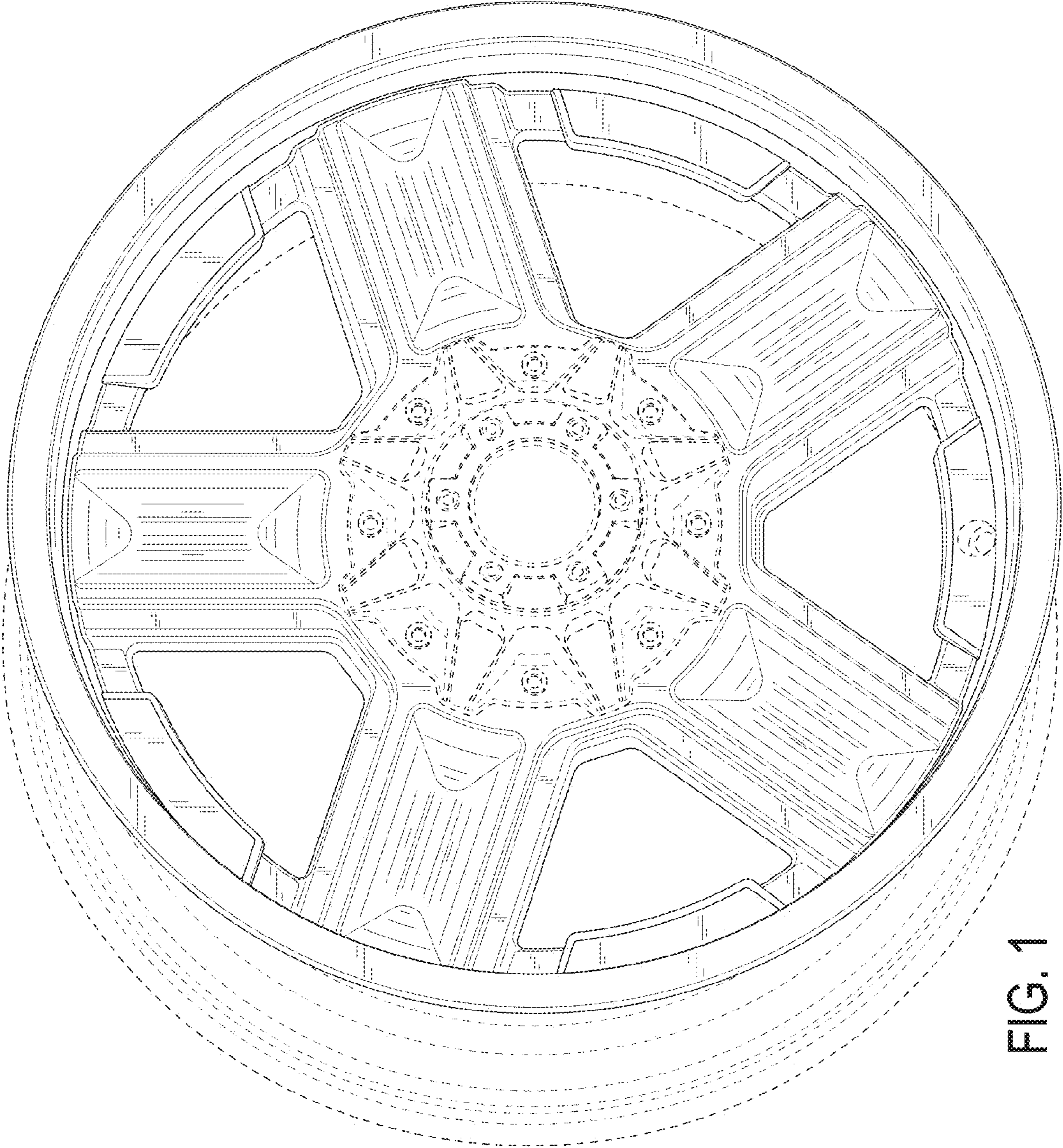


FIG. 1

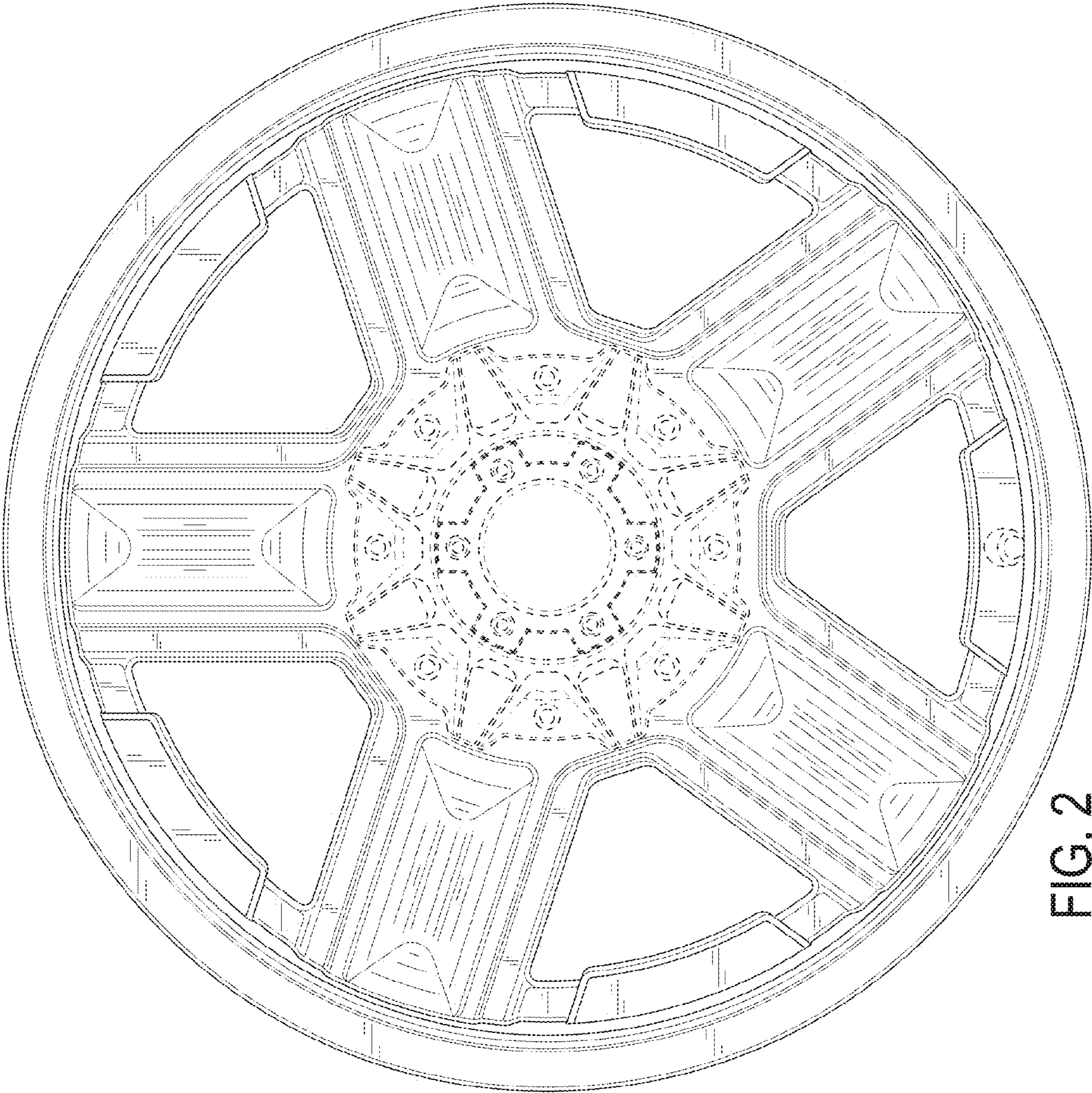


FIG. 2