



US00D935369S

(12) **United States Design Patent**  
**Devers**

(10) **Patent No.:** **US D935,369 S**

(45) **Date of Patent:** **\*\* Nov. 9, 2021**

(54) **AUTOMOBILE WHEEL**

(71) Applicant: **Nissan Motor Co., Ltd.**, Kanagawa (JP)

(72) Inventor: **Raymond Devers**, San Diego, CA (US)

(73) Assignee: **Nissan Motor Co., Ltd.**, Yokohama (JP)

(\*\*) Term: **15 Years**

(21) Appl. No.: **29/736,018**

(22) Filed: **May 27, 2020**

(30) **Foreign Application Priority Data**

Nov. 28, 2019 (JP) ..... 2019-026368

(51) **LOC (13) Cl.** ..... **12-16**

(52) **U.S. Cl.**  
USPC ..... **D12/209**

(58) **Field of Classification Search**  
USPC ..... D12/204–213; D21/563  
CPC .... B60B 7/00; B60B 7/02; B60B 7/04; B60B 7/01; B60B 7/06; B60B 3/02; B60B 3/04; B60B 3/06; B60B 3/10; B60B 1/00; B60B 1/08; B60B 1/10; B60B 1/12  
See application file for complete search history.

(56) **References Cited**

**U.S. PATENT DOCUMENTS**

D450,289 S	*	11/2001	Chung	.....	D12/211
D479,177 S	*	9/2003	Nordmann	.....	D12/211
D504,102 S	*	4/2005	Cheng	.....	D12/211
D513,726 S	*	1/2006	Kamimura	.....	D12/211
D515,494 S	*	2/2006	Laengerer	.....	D12/211
D520,437 S	*	5/2006	Scheu	.....	D12/211
D525,578 S	*	7/2006	Schell	.....	D12/211
D591,662 S	*	5/2009	Imai	.....	D12/211

D618,605 S	*	6/2010	Zhao	.....	D12/209
D635,903 S	*	4/2011	Zhang	.....	D12/209
D641,680 S	*	7/2011	Laengerer	.....	D12/211
D689,000 S	*	9/2013	Platto	.....	D12/209
D692,816 S	*	11/2013	Zhang	.....	D12/209
D696,616 S	*	12/2013	Gueller	.....	D12/209
D701,810 S	*	4/2014	Zhang	.....	D12/211
D720,676 S	*	1/2015	Caswell	.....	D12/209
D740,198 S	*	10/2015	Barnes	.....	D12/211
D762,547 S	*	8/2016	Garbas	.....	D12/211
D763,162 S	*	8/2016	Garbas	.....	D12/211
D782,951 S	*	4/2017	Bjerke	.....	D12/209
D789,269 S	*	6/2017	Krause	.....	D12/209
D808,325 S	*	1/2018	Chung	.....	D12/211
D815,005 S	*	4/2018	Cloke	.....	D12/209
D827,541 S	*	9/2018	Bucher	.....	D12/209
D841,555 S	*	2/2019	Ma	.....	D12/209
D881,777 S	*	4/2020	Lyu	.....	D12/209
D911,904 S	*	3/2021	Ma	.....	D12/209

\* cited by examiner

*Primary Examiner* — Stacia A Cadmus

(74) *Attorney, Agent, or Firm* — Global IP Counselors, LLP

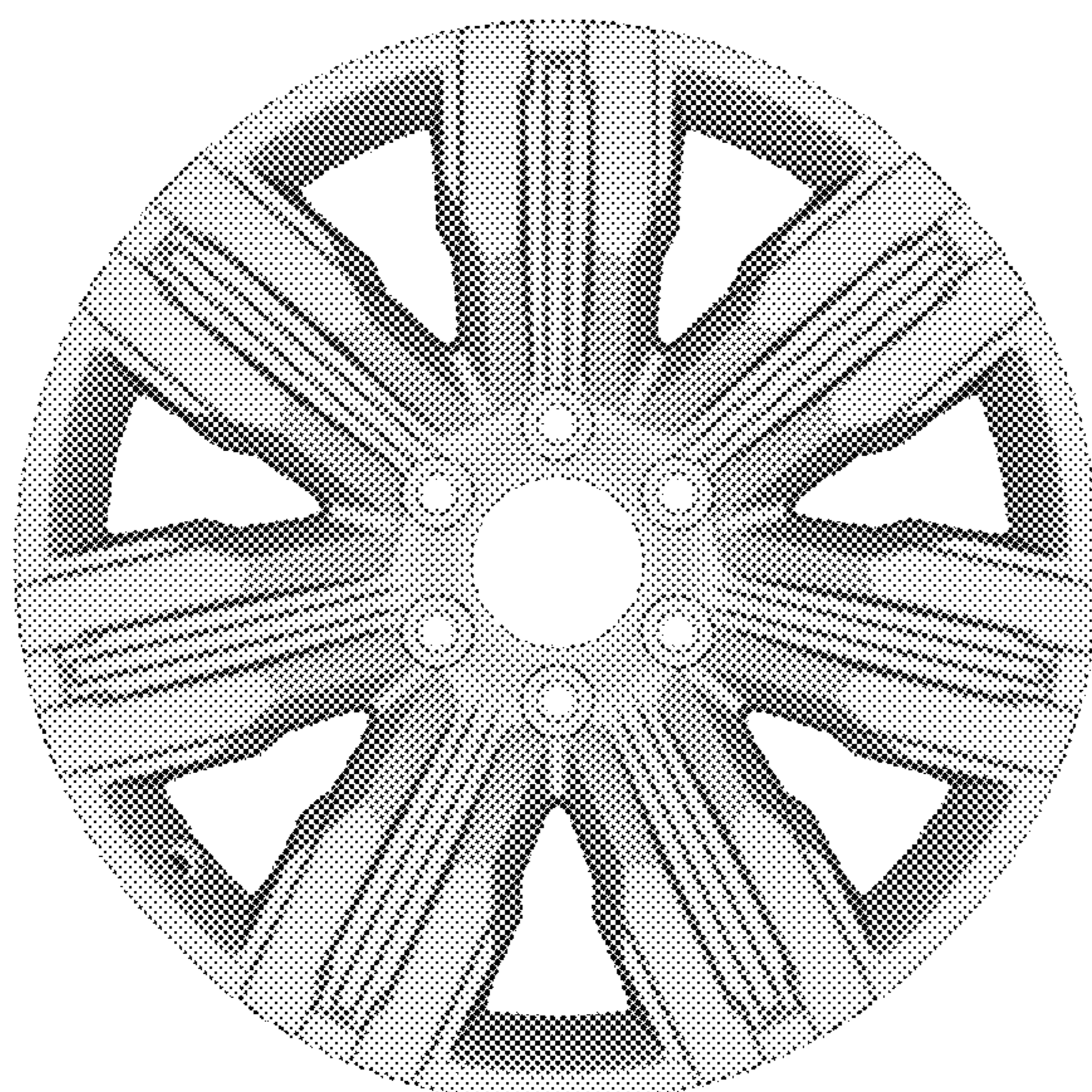
(57) **CLAIM**

The ornamental design for an automobile wheel, as shown and described.

**DESCRIPTION**

FIG. 1 is a front elevational view of an automobile wheel in accordance with my new design; FIG. 2 is a first side view thereof; FIG. 3 is a second side view thereof; FIG. 4 is a bottom view thereof; FIG. 5 is a top view thereof; and, FIG. 6 is a perspective view thereof. In the drawings the broken lines and the area within the broken lines depict portions of the wheel that form no part of the claimed design.

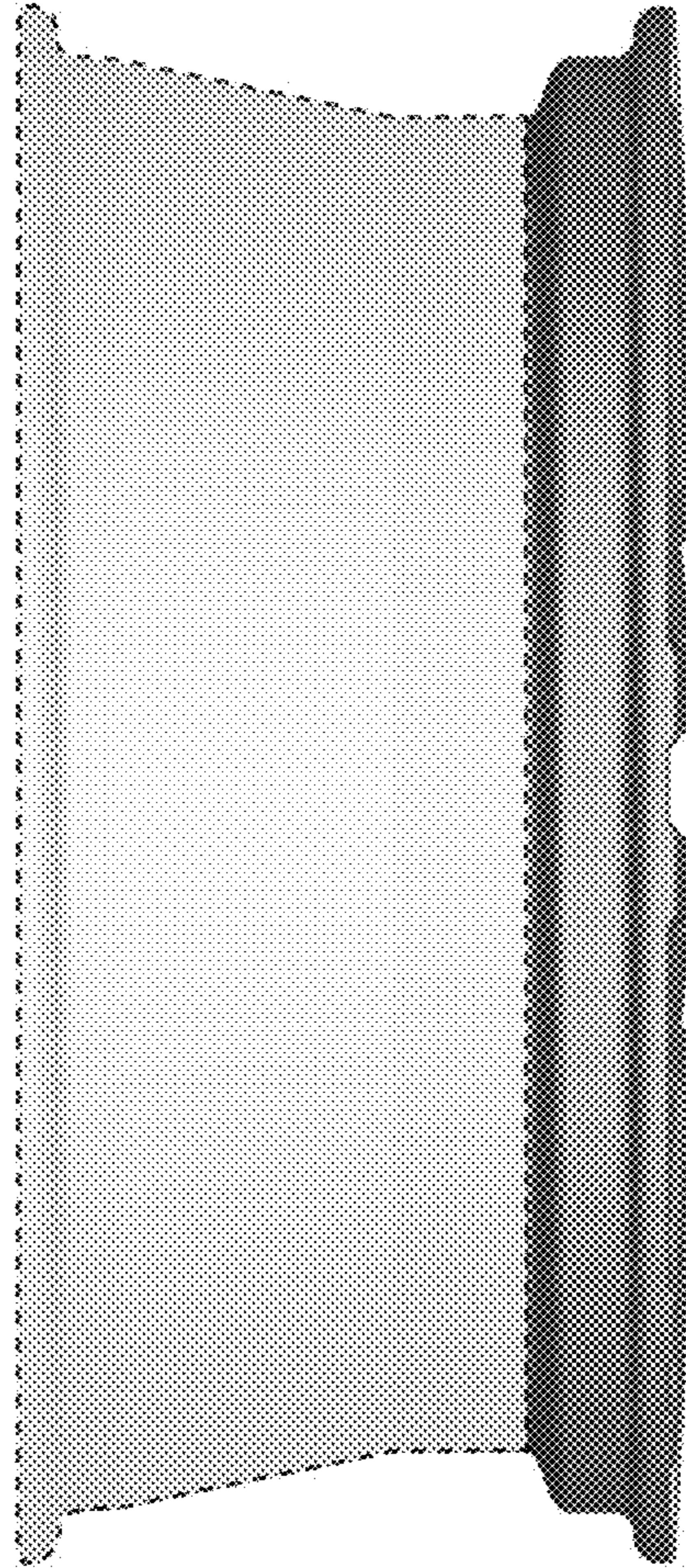
**1 Claim, 6 Drawing Sheets**





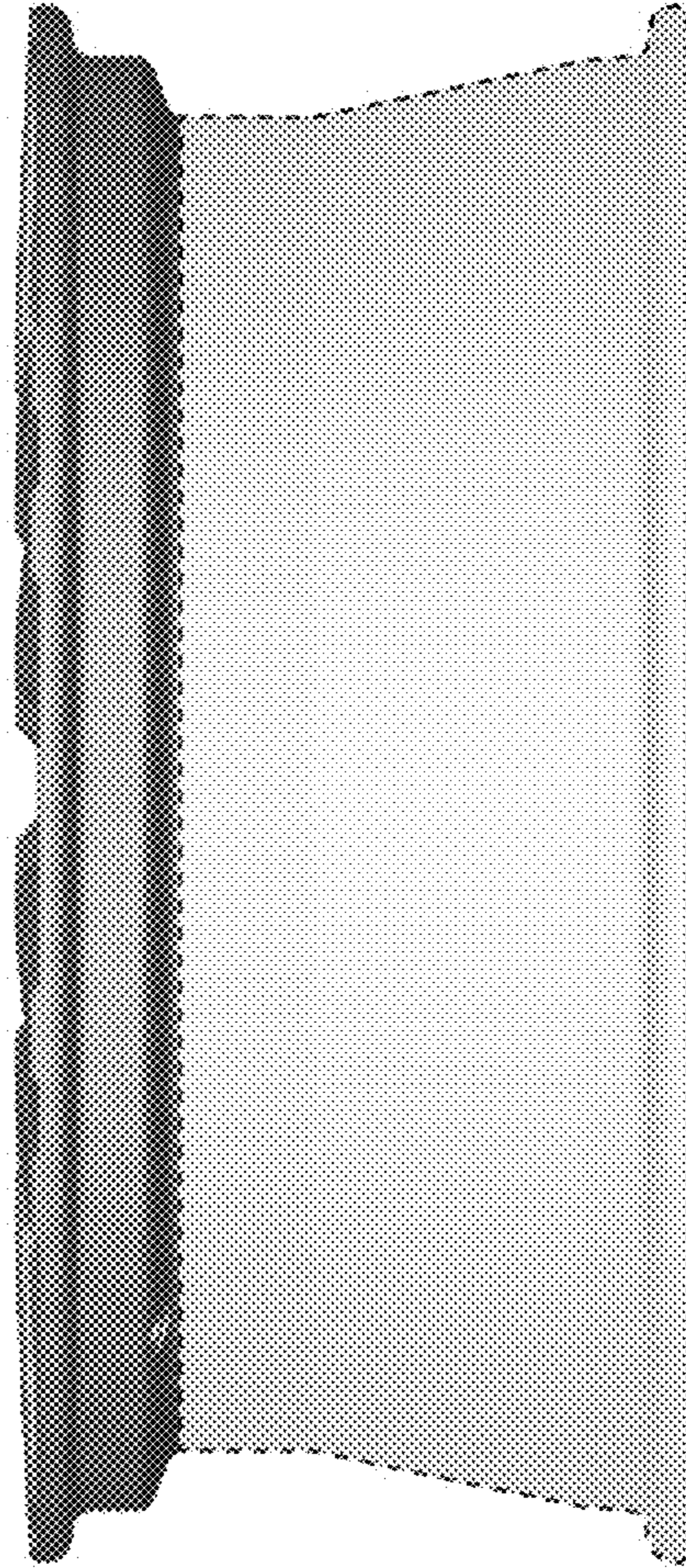


**FIG. 1**

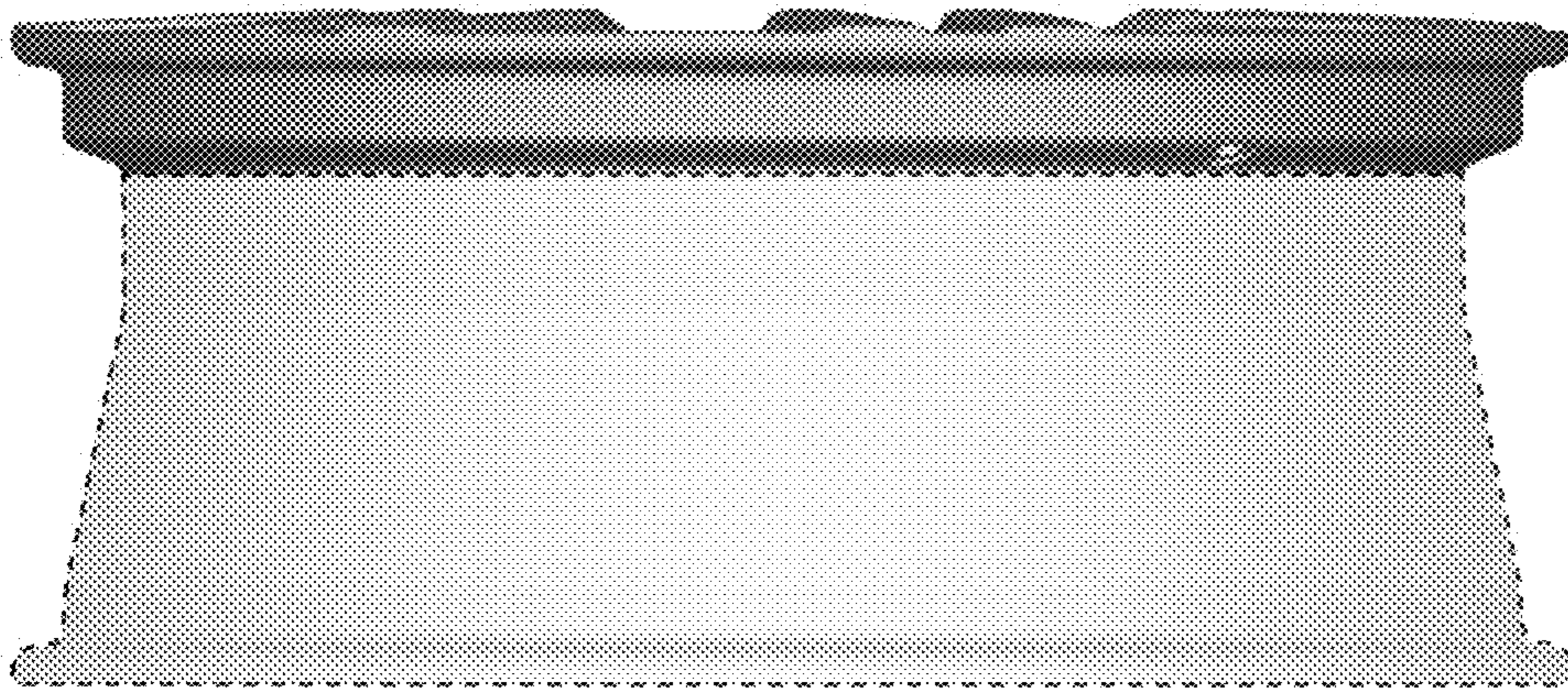


**FIG. 2**





**FIG. 3**



**FIG. 4**

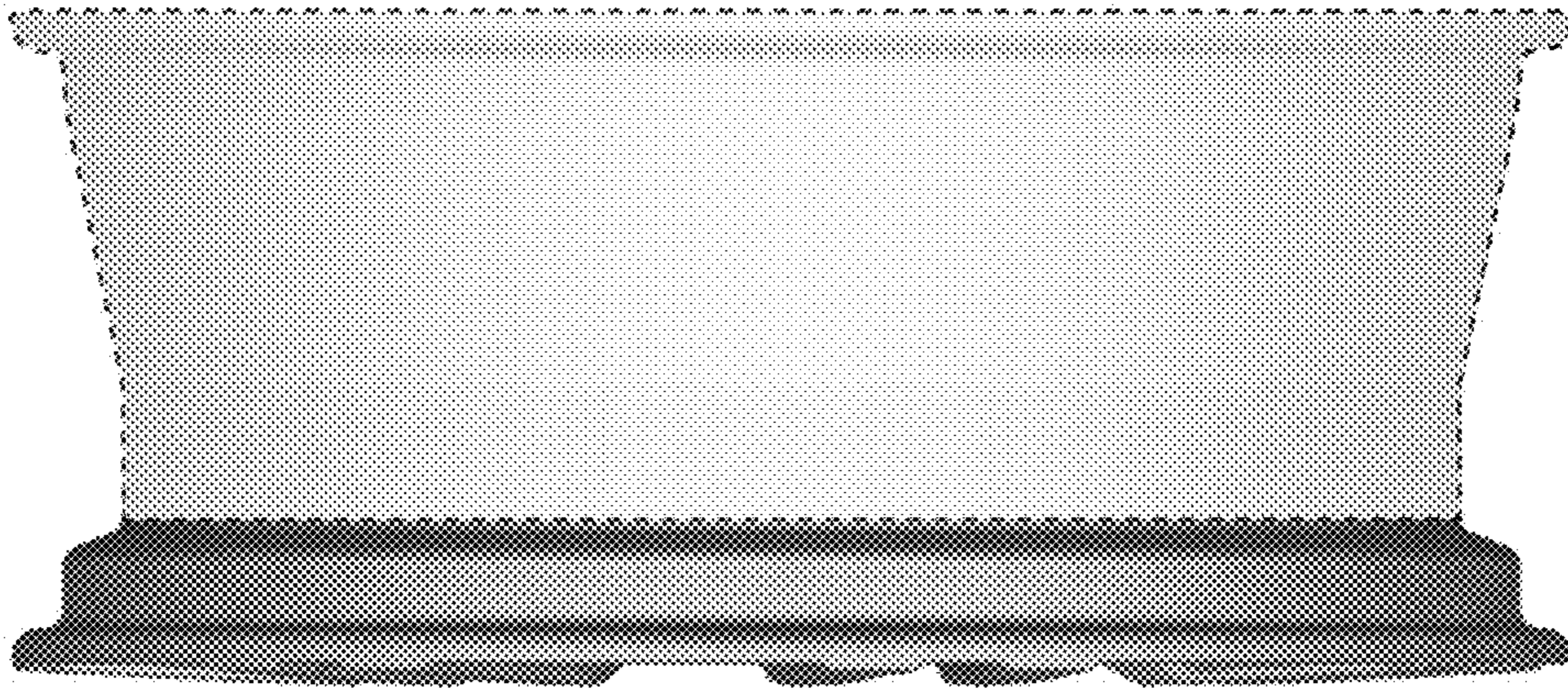


FIG. 5





FIG. 6