



US00D935367S

(12) **United States Design Patent** (10) **Patent No.:** **US D935,367 S**  
**Wraith et al.** (45) **Date of Patent:** **\*\* Nov. 9, 2021**

- (54) **VEHICLE INSTRUMENT PANEL**
- (71) Applicant: **Ford Global Technologies, LLC**,  
Dearborn, MI (US)
- (72) Inventors: **Paul Wraith**, West Bloomfield, MI (US); **Daniel J. Kangas**, Livonia, MI (US); **Dong Hoon Park**, Canton, MI (US); **Ryan A. Olsson**, Farmington Hills, MI (US); **Robert J. Gelardi**, Plymouth, MI (US); **Daniel C. Broaddus**, Novi, MI (US)
- (73) Assignee: **Ford Global Technologies, LLC**,  
Dearborn, MI (US)
- (\*\*) Term: **15 Years**
- (21) Appl. No.: **29/711,432**
- (22) Filed: **Oct. 31, 2019**
- (51) **LOC (13) Cl.** ..... **12-16**
- (52) **U.S. Cl.**  
USPC ..... **D12/192**
- (58) **Field of Classification Search**  
USPC ..... D12/192, 415, 114, 345; D10/17, 28;  
D14/157, 485, 489, 492, 488, 490;  
D23/324; D15/46, 98, 102, 103, 122-127  
CPC ..... B60K 37/04; B60K 37/06; B60K 35/00;  
B60R 11/0235; B60R 11/0252  
See application file for complete search history.

- D780,080 S \* 2/2017 Ding ..... D12/192
- D808,874 S \* 1/2018 Gao ..... D12/192
- D852,100 S \* 6/2019 Ko ..... D12/192
- D863,167 S \* 10/2019 Moir ..... D12/192
- D881,095 S \* 4/2020 Finney ..... D12/192
- D887,954 S \* 6/2020 Xu ..... D12/415
- D889,381 S \* 7/2020 Xu ..... D12/415
- D903,560 S \* 12/2020 Takamura ..... D12/192

\* cited by examiner

*Primary Examiner* — Susan E Krakower  
*Assistant Examiner* — Jerry Shiuan-Hua Hsu

- (56) **References Cited**  
U.S. PATENT DOCUMENTS  
D394,834 S \* 6/1998 Sacco ..... D12/192  
D511,729 S \* 11/2005 Yamazaki ..... D12/192

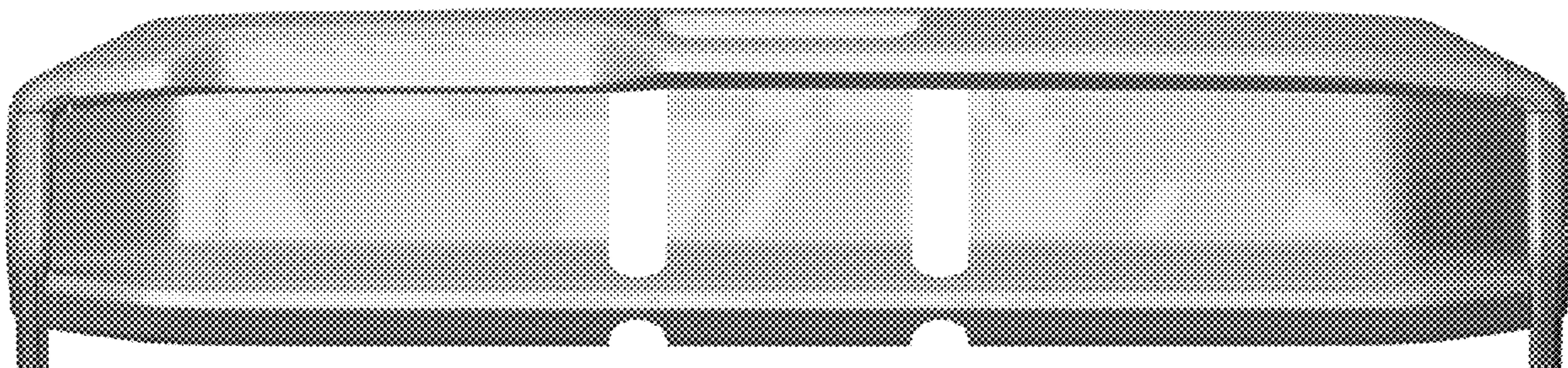
(57) **CLAIM**

The ornamental design for a vehicle instrument panel, as shown and described.

**DESCRIPTION**

FIG. 1 is a front elevational view of a vehicle instrument panel, showing our new design;  
FIG. 2 is a left side elevational view thereof;  
FIG. 3 is a right side elevational view thereof;  
FIG. 4 is a top plan view thereof;  
FIG. 5 is a bottom plan view thereof;  
FIG. 6 is a top, front and left side perspective view thereof; and,  
FIG. 7 is a top, front and right side perspective view thereof. The broken lines illustrate portions of the vehicle instrument panel that form no part of the claimed design.

**1 Claim, 7 Drawing Sheets**



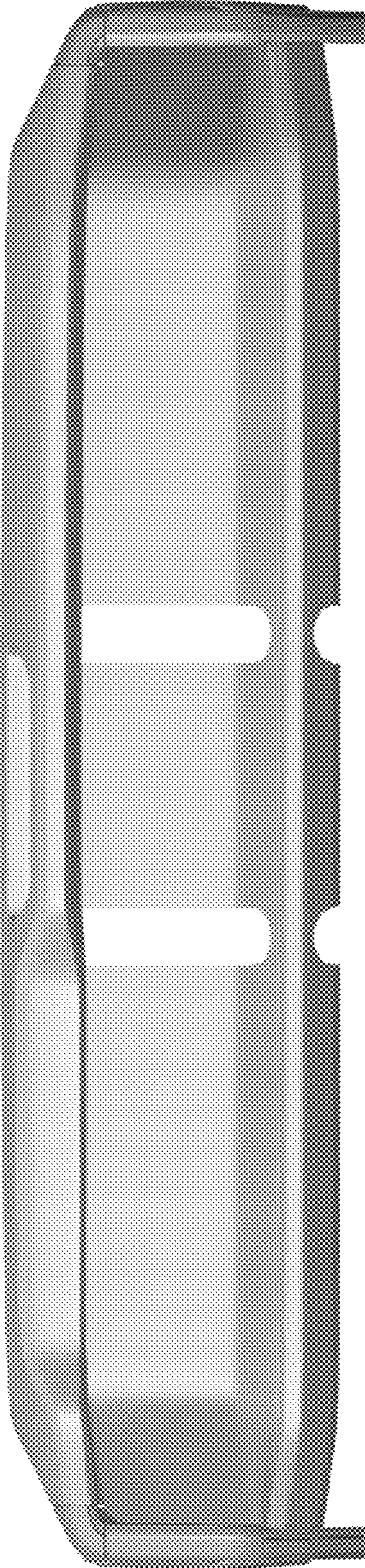


Fig. 1

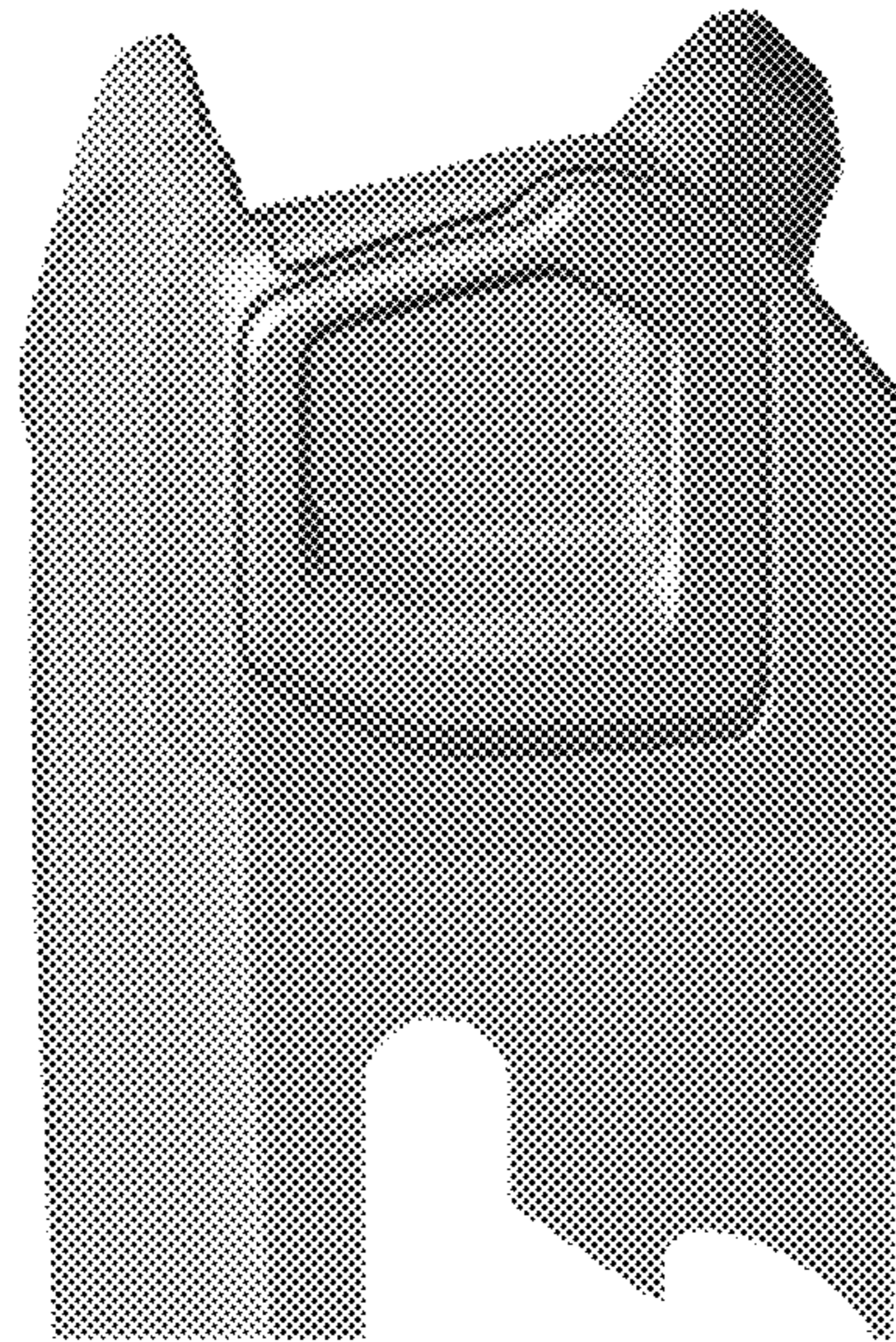


Fig. 2

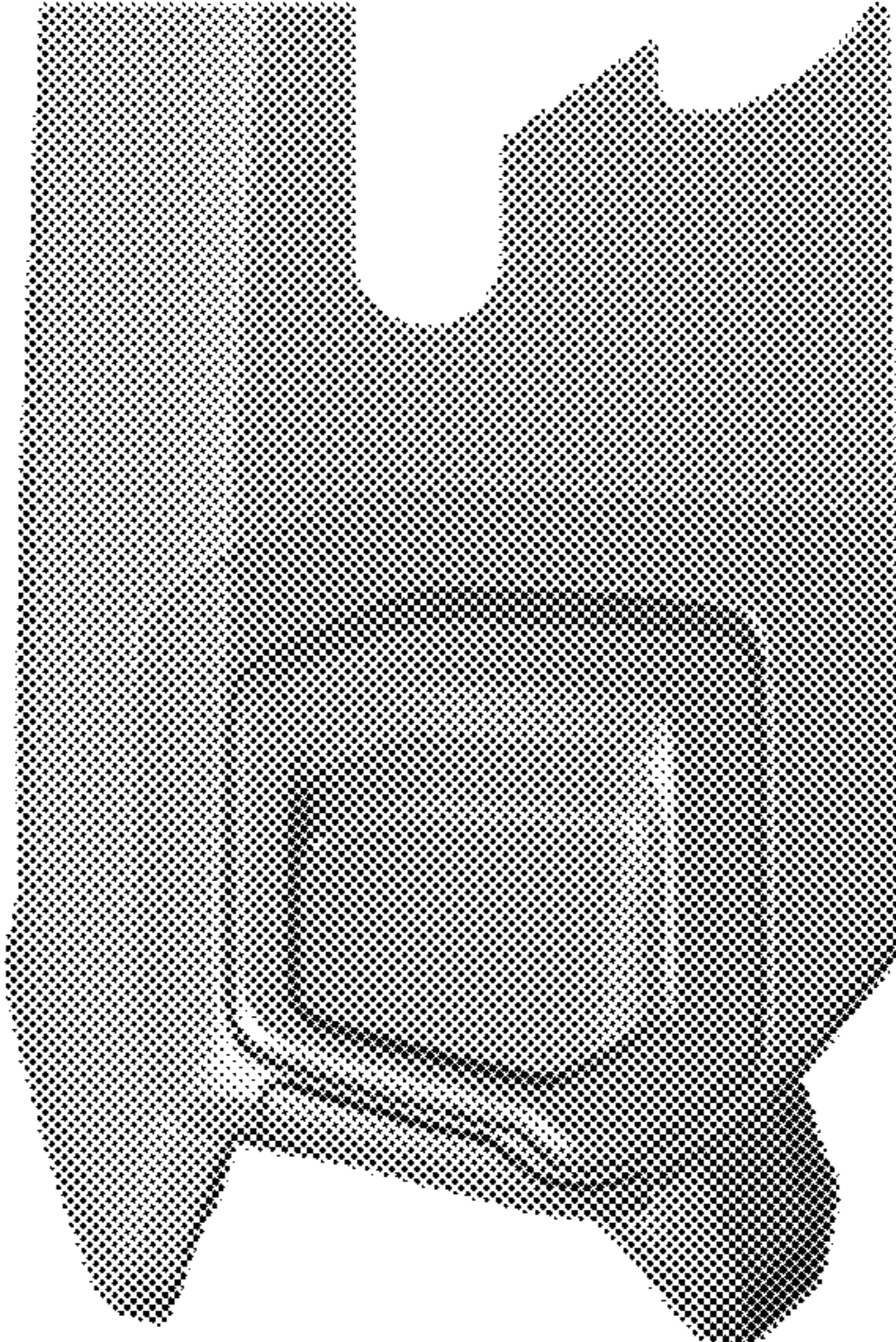


Fig. 3

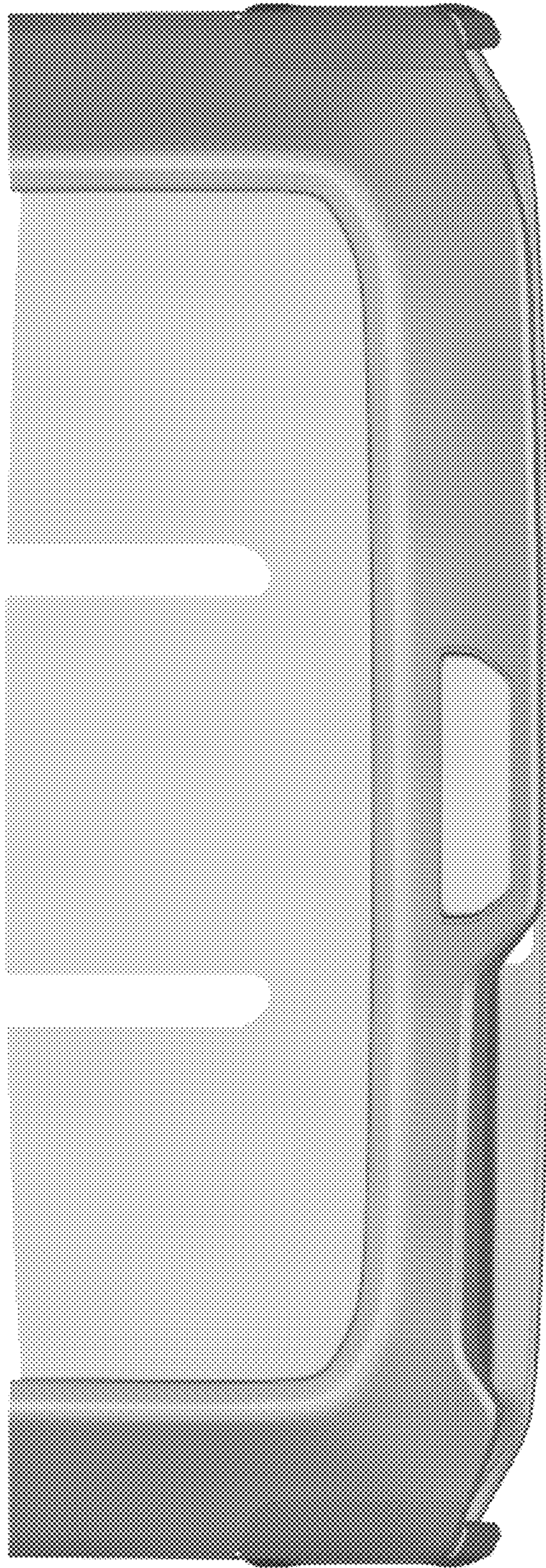
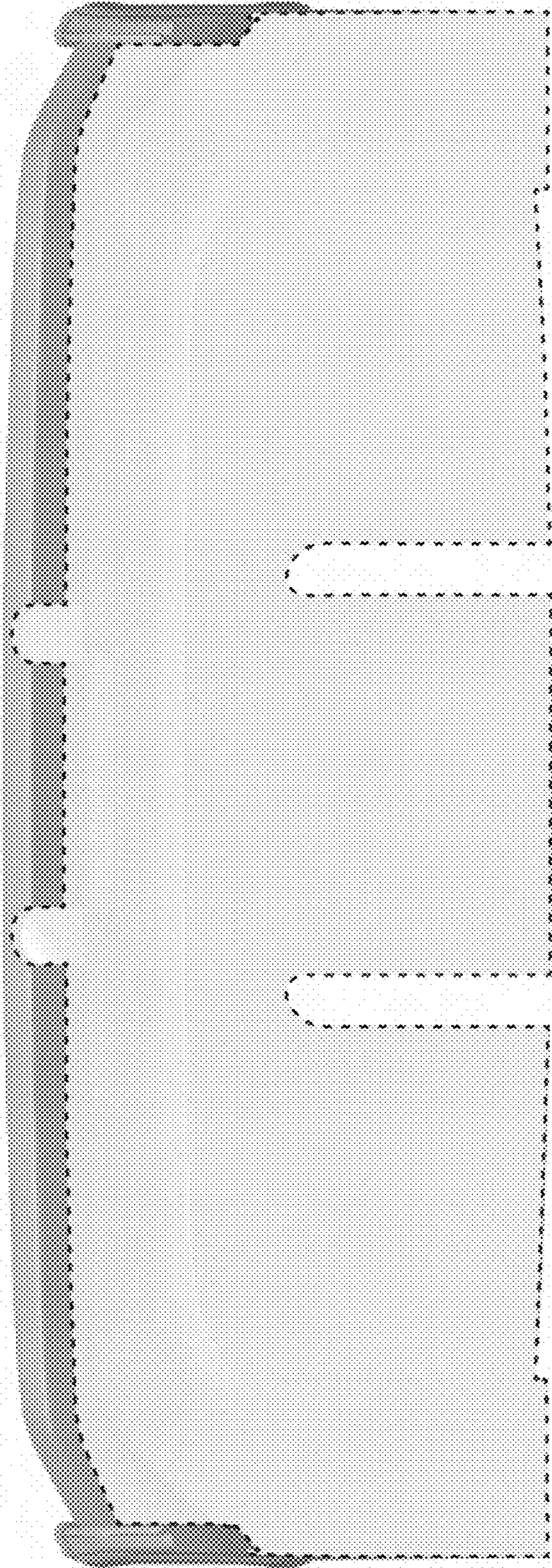


Fig.4

Fig. 5



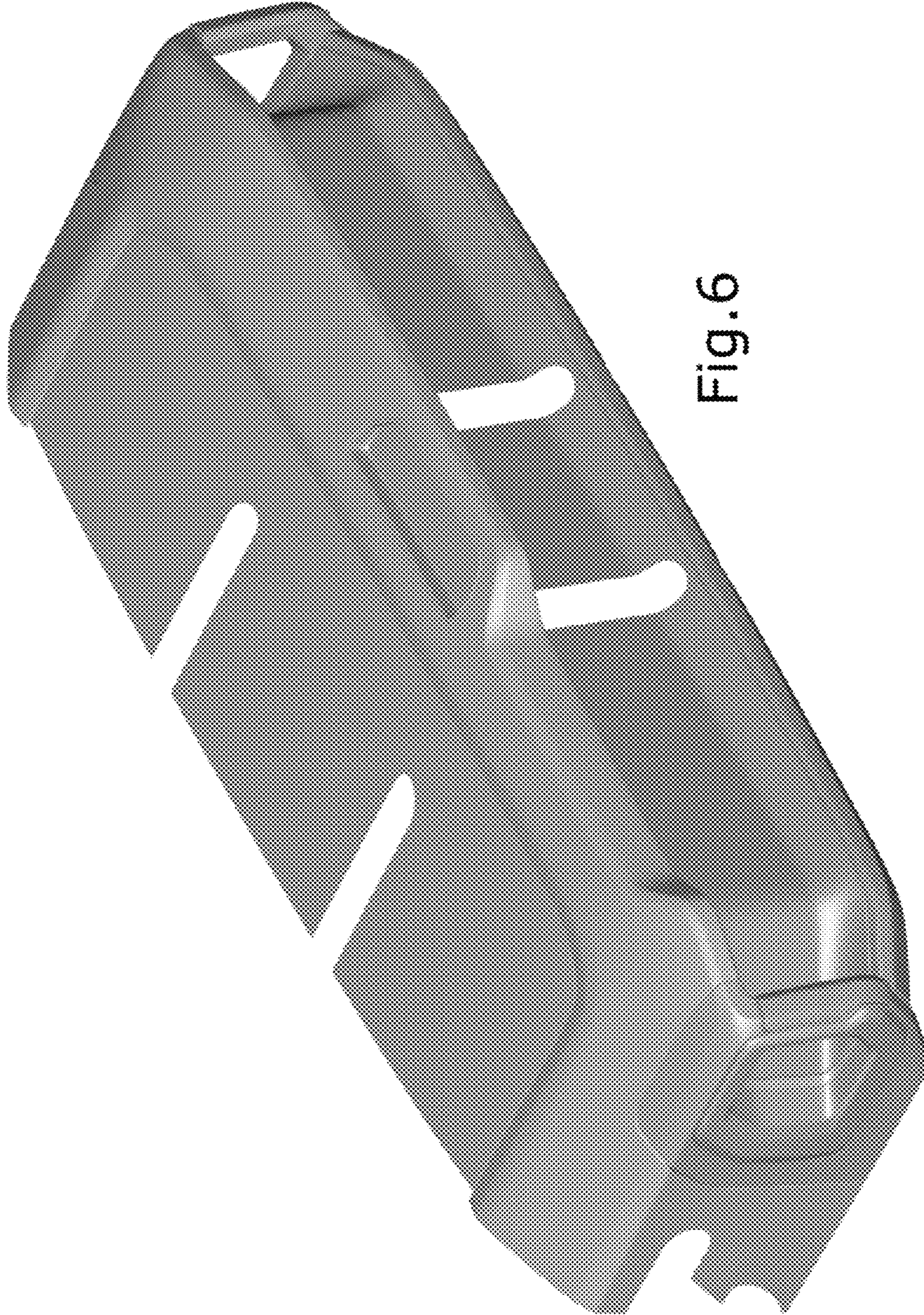


Fig. 6

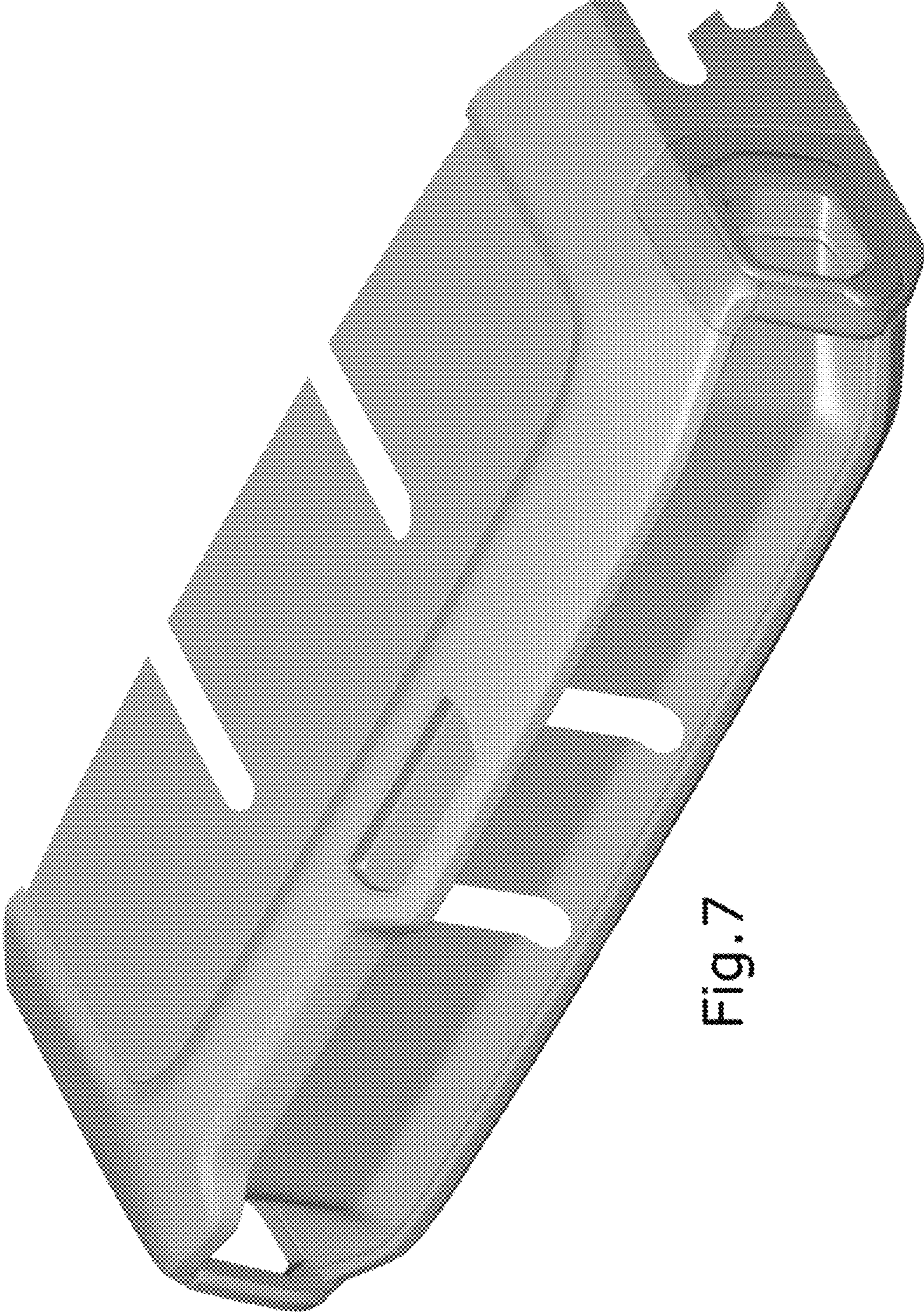


Fig. 7