



US00D935366S

(12) **United States Design Patent** (10) **Patent No.:** **US D935,366 S**
Kaoud et al. (45) **Date of Patent:** **** Nov. 9, 2021**

(54) **VEHICLE MIRROR**

(71) Applicant: **Ford Global Technologies, LLC**,
Dearborn, MI (US)

(72) Inventors: **Ehab N. Kaoud**, Livonia, MI (US);
William K. Moore, West Bloomfield,
MI (US); **Marc Cammeyer**, Berkley,
MI (US); **Rick Howard**, Brighton, MI
(US)

(73) Assignee: **Ford Global Technologies, LLC**,
Dearborn, MI (US)

(**) Term: **15 Years**

(21) Appl. No.: **29/723,960**

(22) Filed: **Feb. 12, 2020**

(51) **LOC (13) Cl.** **12-16**

(52) **U.S. Cl.**
USPC **D12/187**

(58) **Field of Classification Search**
USPC D12/187, 188, 189, 195, 179, 192
CPC B60R 1/003; B60R 1/078; B60R 1/074;
B60R 1/075; B60R 1/081; B60R 1/082;
B60R 1/06; B60R 1/076; B60R 1/08
See application file for complete search history.

(56) **References Cited**

U.S. PATENT DOCUMENTS

| | | | | |
|--------------|---------|-----------|-------|---------|
| D489,657 S * | 5/2004 | Metros | | D12/187 |
| D489,658 S * | 5/2004 | Metros | | D12/187 |
| D496,311 S * | 9/2004 | Simmons | | D12/187 |
| D508,447 S * | 8/2005 | Morrow | | D12/187 |
| D577,320 S * | 9/2008 | Choi | | D12/187 |
| D577,639 S * | 9/2008 | Choi | | D12/187 |
| D603,774 S * | 11/2009 | Chen | | D12/187 |
| D636,309 S * | 4/2011 | Matei | | D12/187 |
| D636,310 S * | 4/2011 | Matei | | D12/187 |
| D690,637 S * | 10/2013 | O'Donnell | | D12/187 |
| D709,810 S | 7/2014 | Platto | | |

| | | | | |
|--------------|---------|----------|-------|---------|
| D709,811 S | 7/2014 | Platto | | |
| D716,206 S * | 10/2014 | Thole | | D12/187 |
| D718,197 S * | 11/2014 | Chen | | D12/187 |
| D731,379 S * | 6/2015 | Behmer | | D12/187 |
| D804,379 S * | 12/2017 | McMahan | | D12/187 |
| D809,442 S * | 2/2018 | Zipfel | | D12/187 |
| D865,598 S * | 11/2019 | Grand | | D12/187 |
| D906,203 S * | 12/2020 | Chen | | D12/187 |
| D913,880 S * | 3/2021 | Hilliard | | D12/187 |
| D913,881 S * | 3/2021 | Hilliard | | D12/187 |

OTHER PUBLICATIONS

Andrew Wendler, The 2021 Ford F-150, Spied Testing, Looks Pretty Evolutionary, May 8, 2019 <https://www.caranddriver.com/news/a27409108/2021-ford-f-150-pickup-spied/>.

* cited by examiner

Primary Examiner — Susan E Krakower
Assistant Examiner — Jerry Shiuan-Hua Hsu

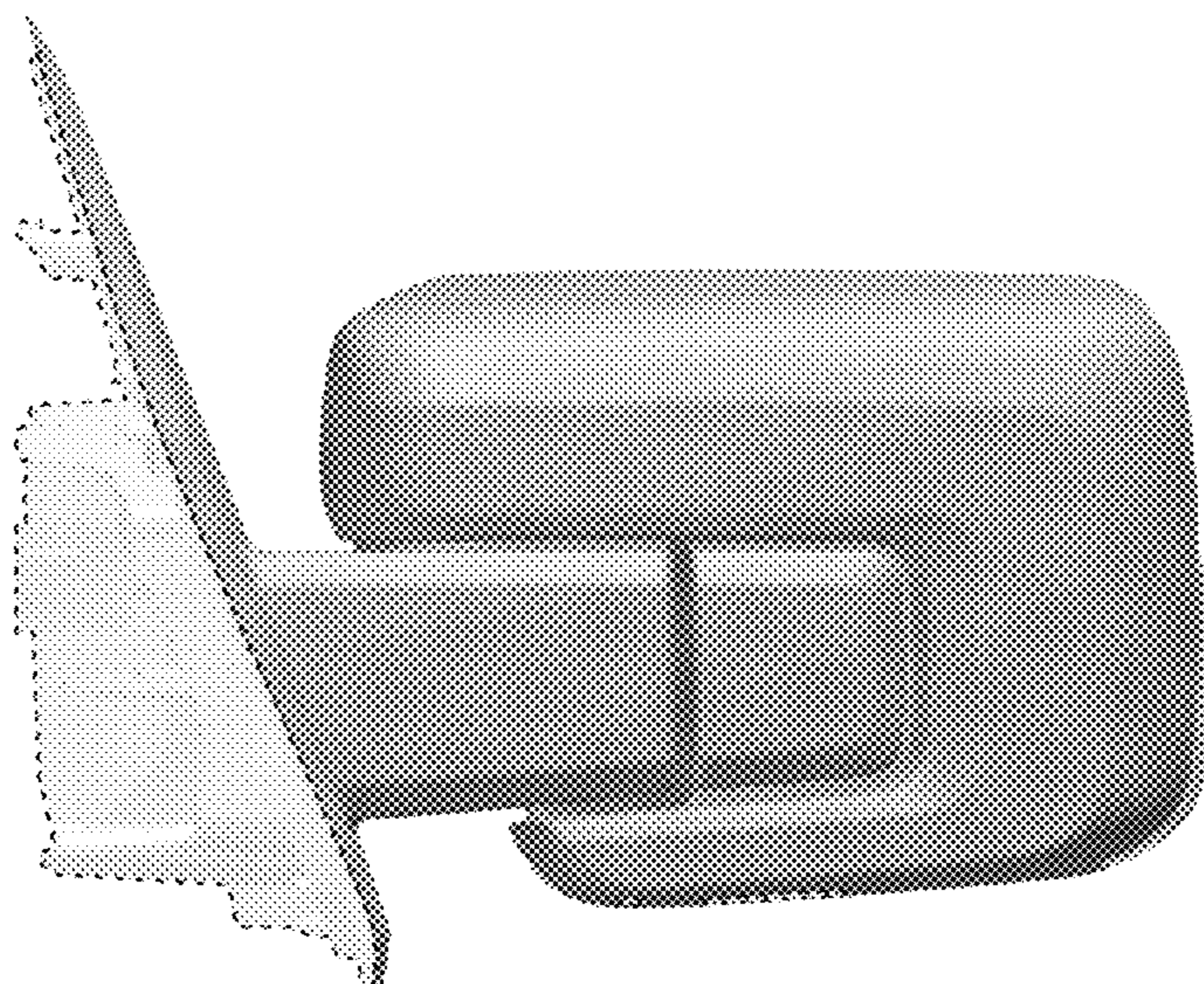
(57) **CLAIM**

The ornamental design for a vehicle mirror, as shown and described.

DESCRIPTION

FIG. 1 is a front elevational view of a vehicle mirror, showing our new design;
FIG. 2 is a rear elevational view thereof;
FIG. 3 is a left side elevational view thereof;
FIG. 4 is a right side elevational view thereof;
FIG. 5 is a top plan view thereof;
FIG. 6 is a bottom plan view thereof;
FIG. 7 is a top, front and left side perspective view thereof;
and,
FIG. 8 is a bottom, front and left side perspective view thereof.
The broken lines and the lightened surface shading illustrate portions of the vehicle mirror that form no part of the claimed design.

1 Claim, 8 Drawing Sheets



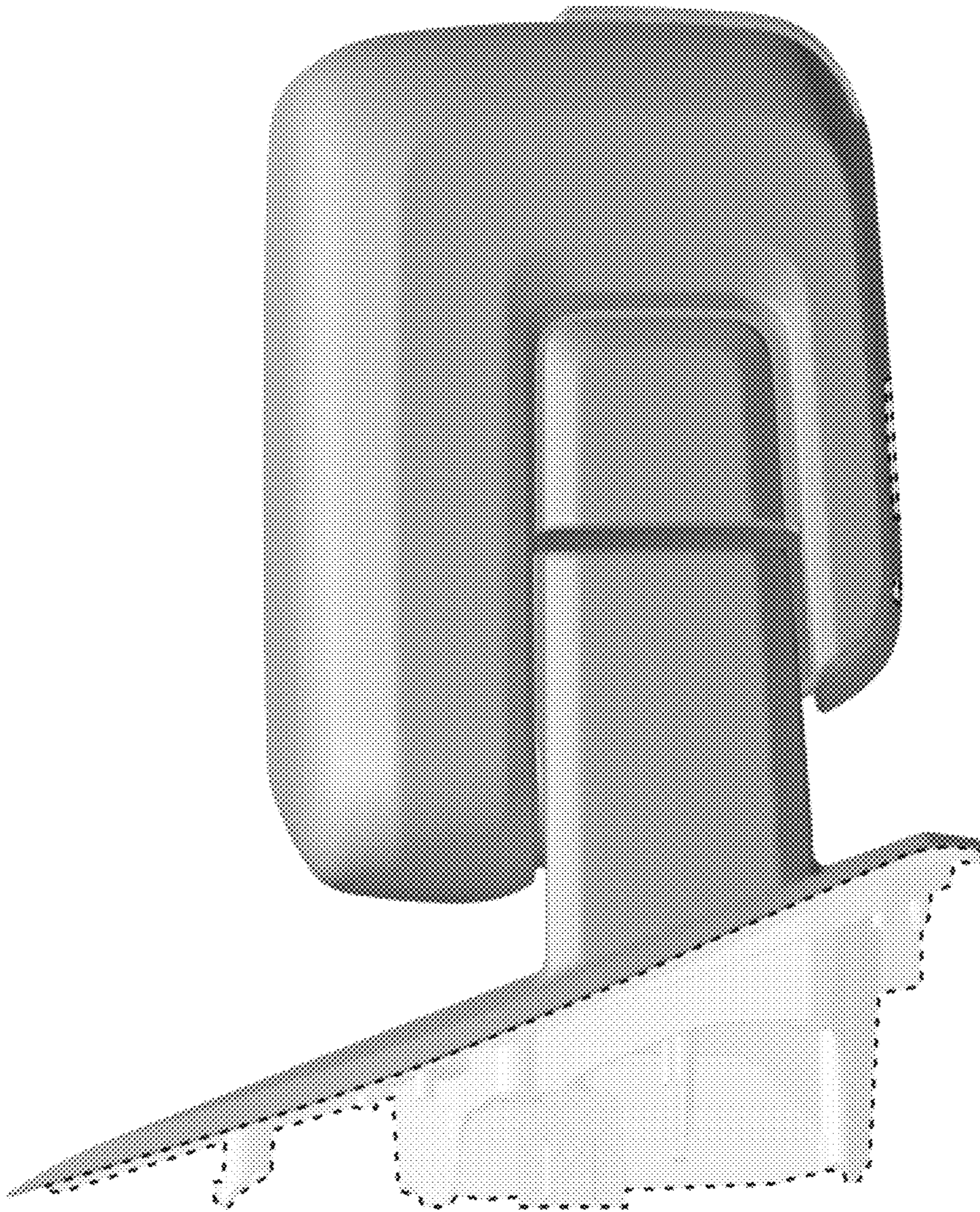


Fig. 1

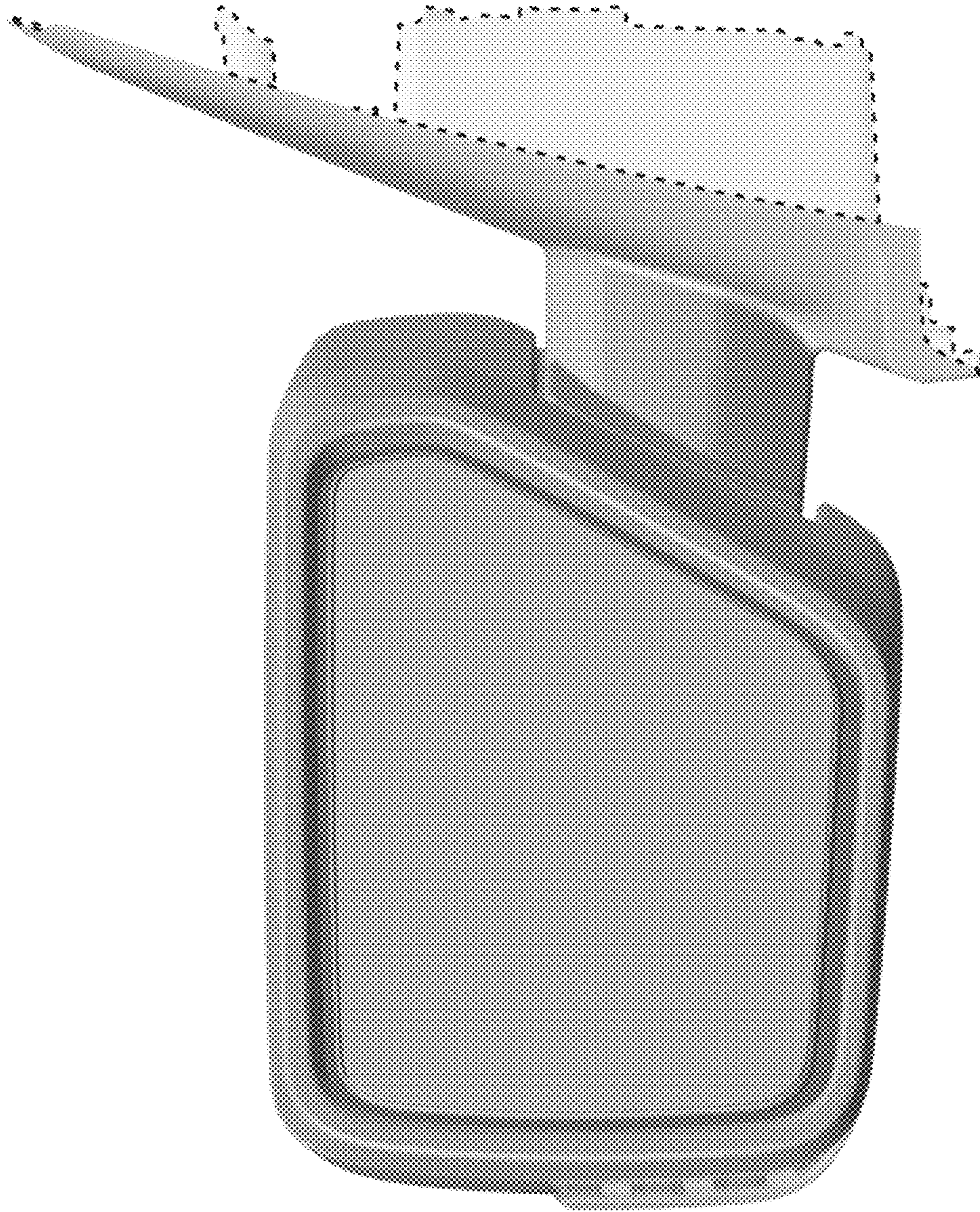


Fig. 2

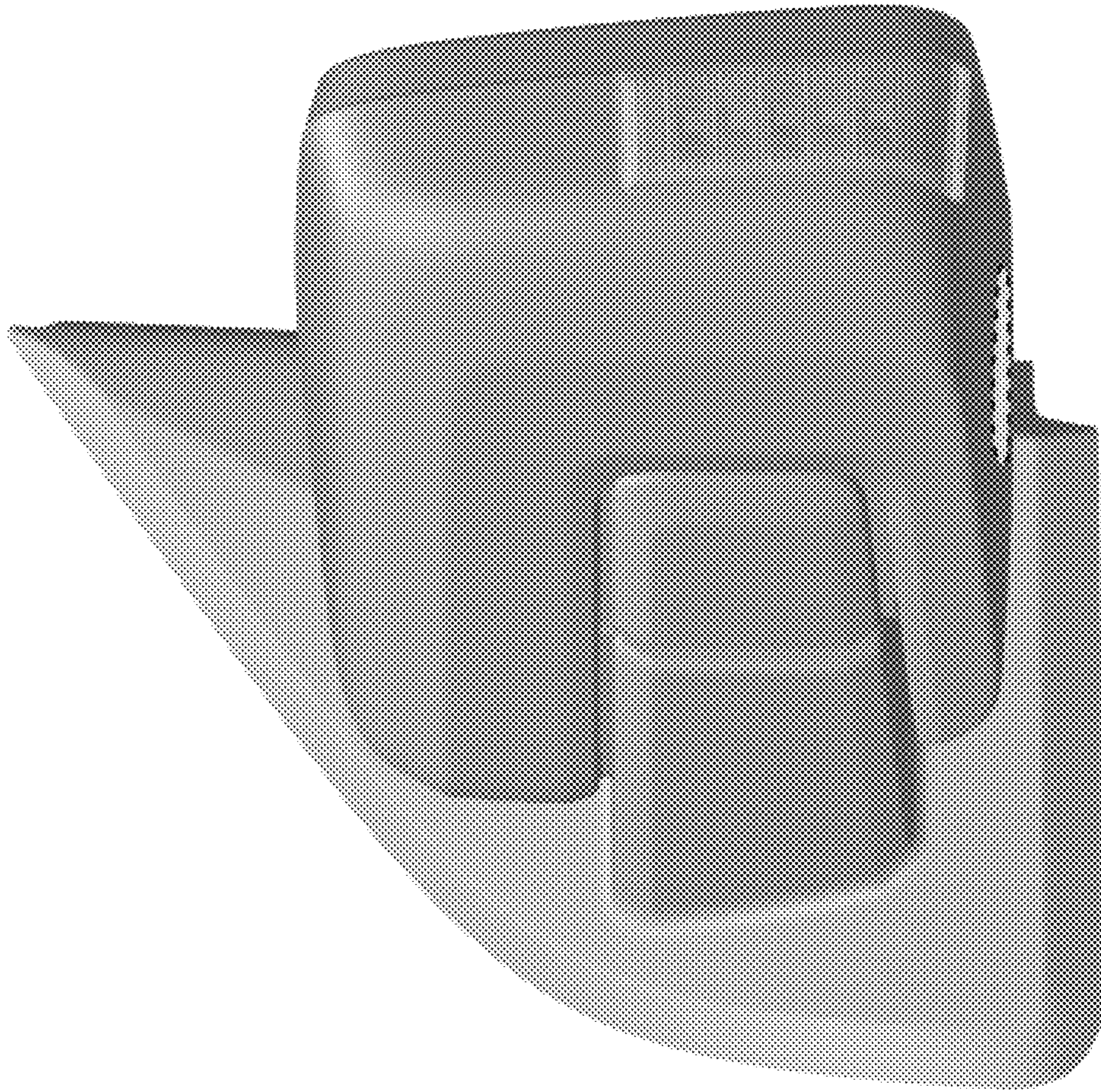


Fig. 3

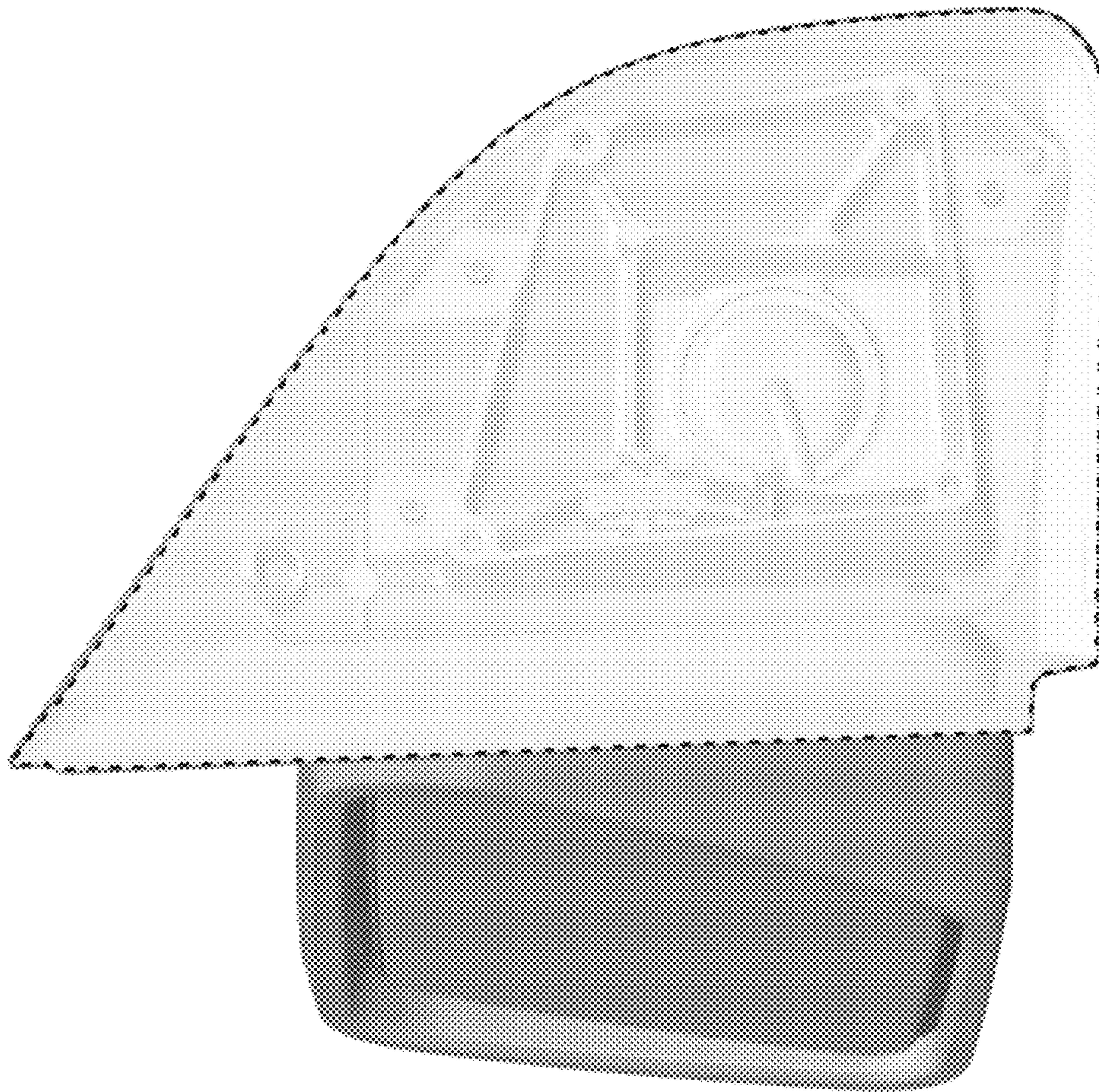


Fig.4

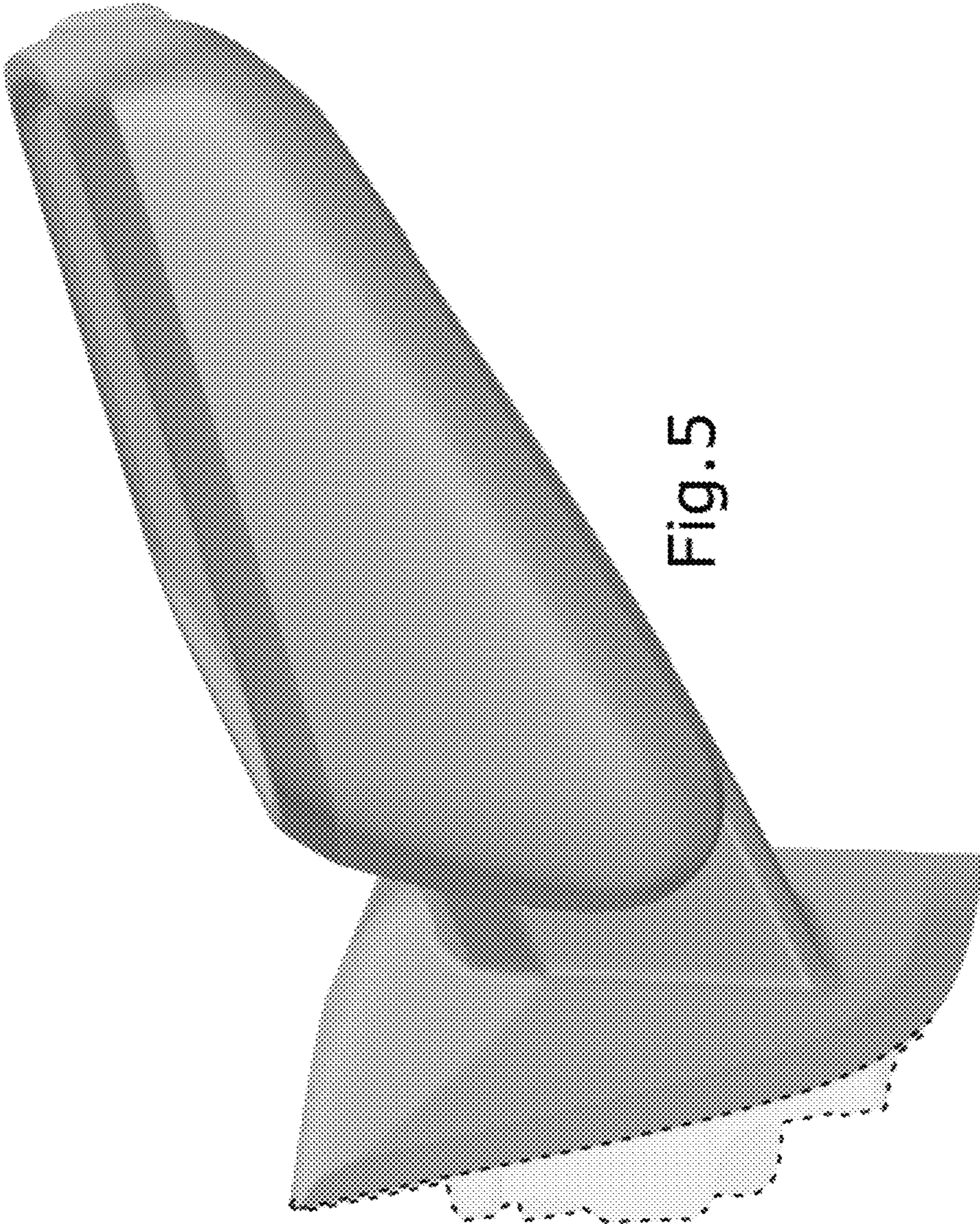


Fig. 5

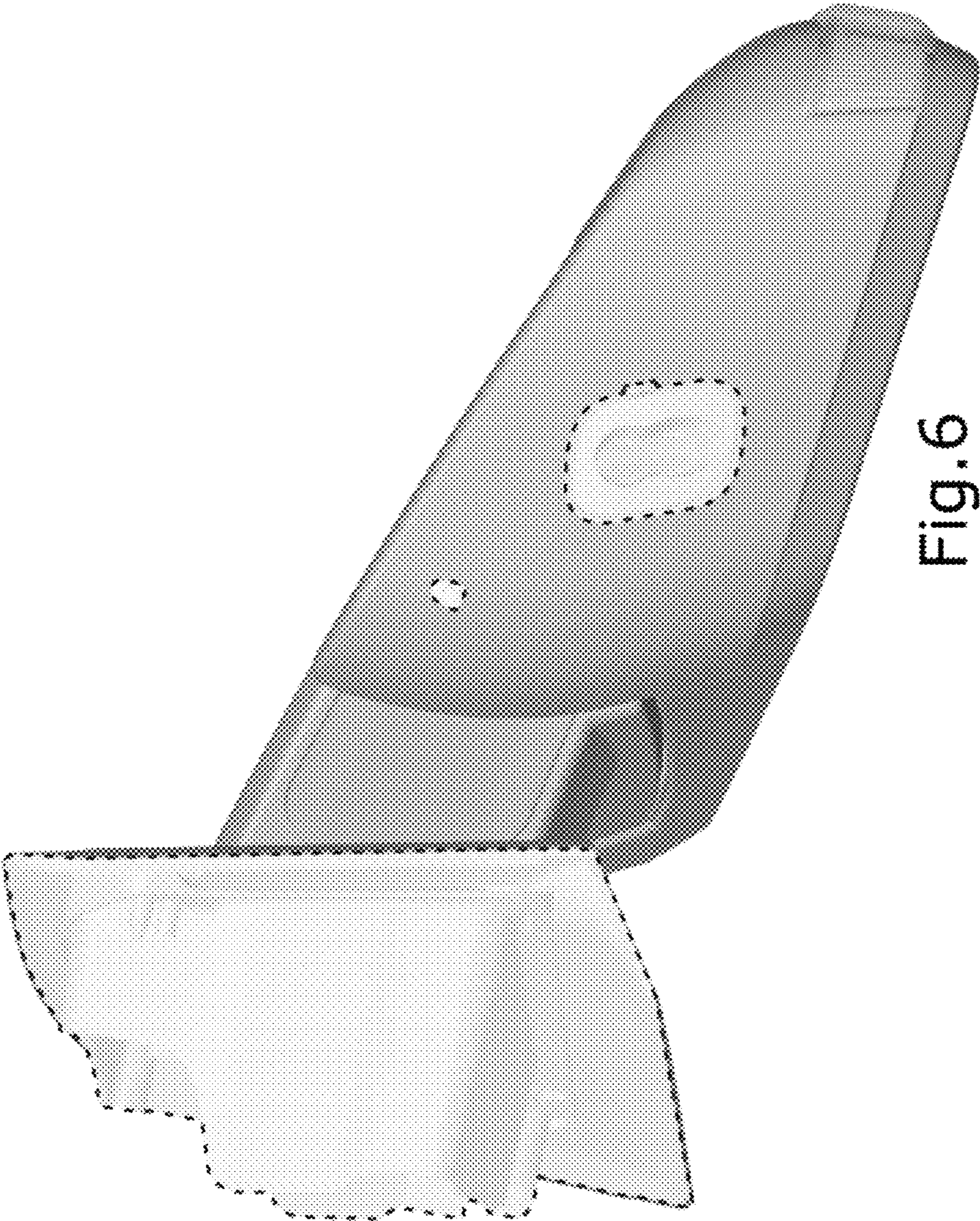


Fig. 6

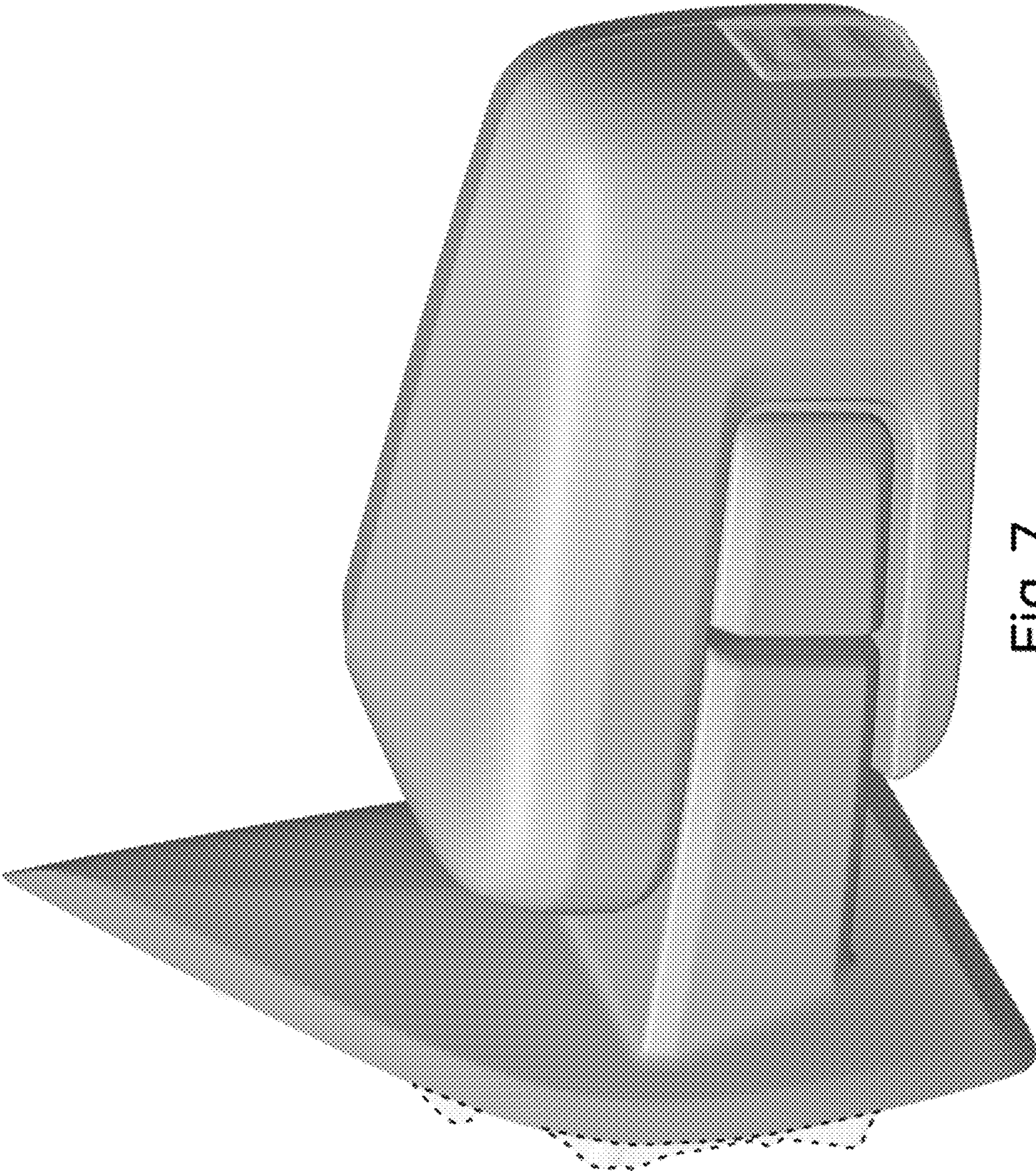


Fig. 7

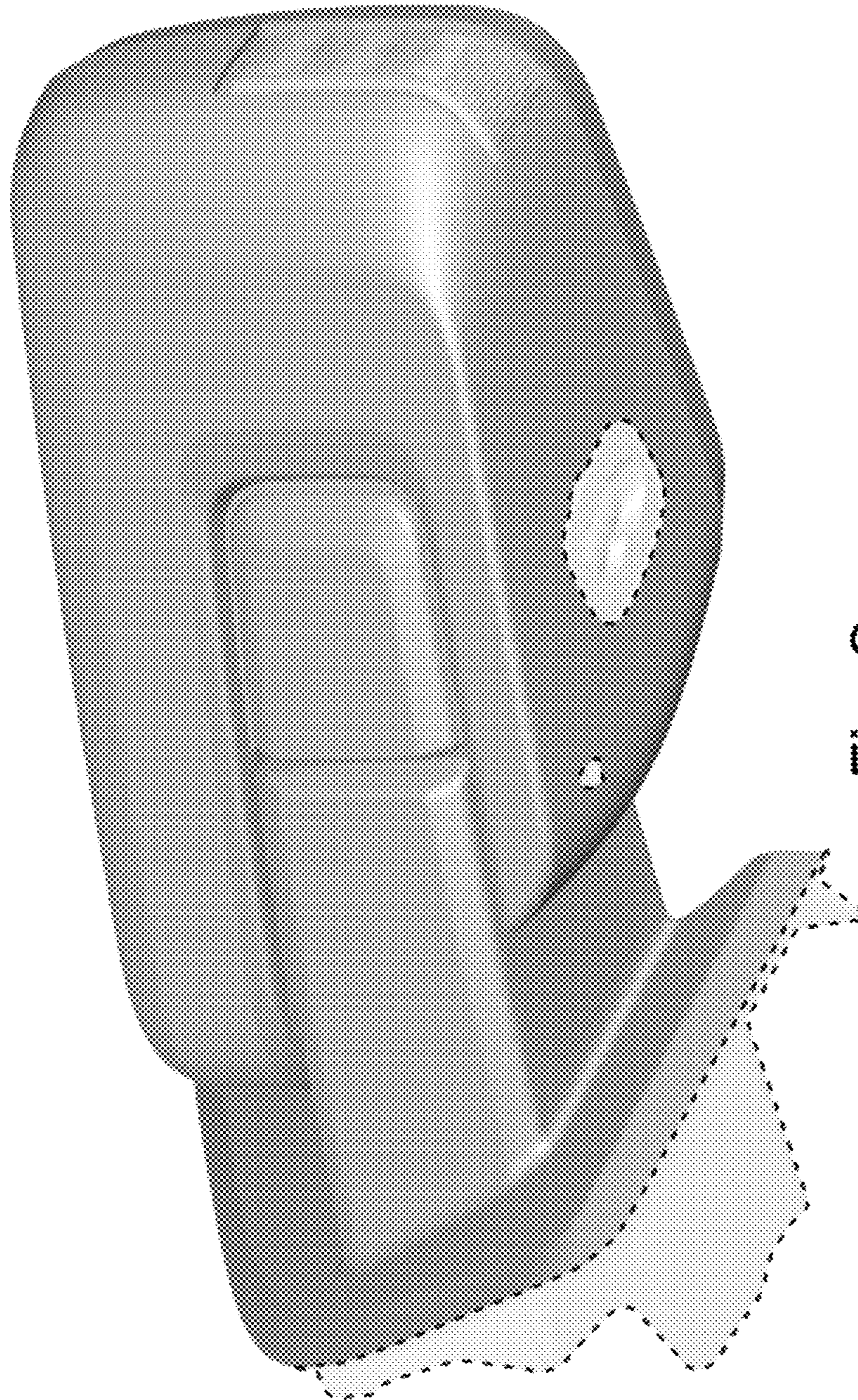


Fig. 8