



US00D935353S

(12) **United States Design Patent** (10) **Patent No.:** **US D935,353 S**
Giumentaro (45) **Date of Patent:** **** Nov. 9, 2021**

(54) **RADIATOR GRILLE FOR VEHICLE**

(71) Applicant: **VOLKSWAGEN AKTIENGESELLSCHAFT,**
Wolfsburg (DE)

(72) Inventor: **Marco Giumentaro,** Wolfsburg (DE)

(73) Assignee: **VOLKSWAGEN AKTIENGESELLSCHAFT,**
Wolfsburg (DE)

(**) Term: **15 Years**

(21) Appl. No.: **29/752,216**

(22) Filed: **Sep. 25, 2020**

(30) **Foreign Application Priority Data**

Jun. 17, 2020 (WO) WIPO95504

(51) **LOC (13) Cl.** **12-16**

(52) **U.S. Cl.**
USPC **D12/163**

(58) **Field of Classification Search**
USPC D12/163, 169, 196, 86, 90-92; 180/68.1,
180/68.6; 293/193.11
CPC B62D 25/08; B62B 9/16; B60K 11/08;
B60R 19/52
See application file for complete search history.

(56) **References Cited**

U.S. PATENT DOCUMENTS

D819,507 S * 6/2018 Bridan D12/163
D841,519 S * 2/2019 Bischoff D12/91

D844,501 S * 4/2019 Tamura D12/163
D859,213 S * 9/2019 Bischoff D12/91
D867,229 S * 11/2019 Morikawa D12/163
D908,553 S * 1/2021 Bischoff D12/163
D911,883 S * 3/2021 Bae D12/163

FOREIGN PATENT DOCUMENTS

DE DM206351 2/2020
DE DM088222 10/2020

* cited by examiner

Primary Examiner — Melody N Brown

(74) *Attorney, Agent, or Firm* — Lucas & Mercanti, LLP;
Klaus P. Stoffel

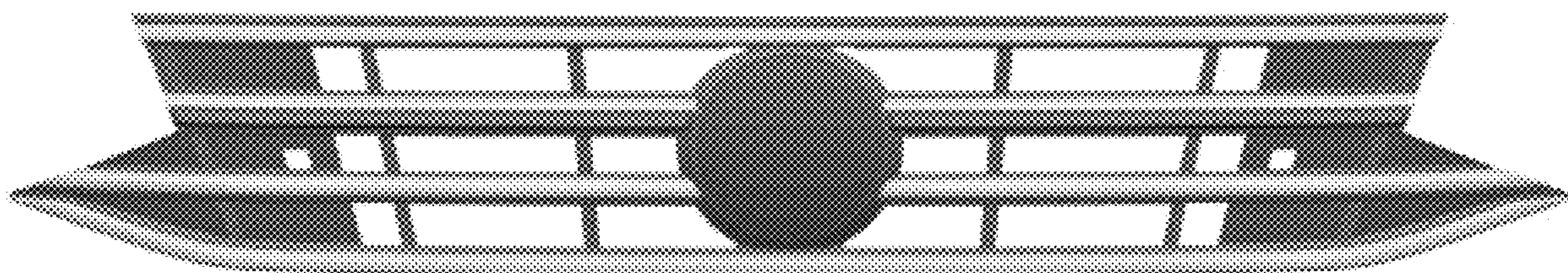
(57) **CLAIM**

The ornamental design for a radiator grille for vehicle, as shown and described.

DESCRIPTION

FIG. 1 is a front and left side perspective view of a radiator grille for vehicle showing my new design;
FIG. 2 is a rear and right side perspective view thereof;
FIG. 3 is a front view thereof;
FIG. 4 is a front view thereof;
FIG. 5 is a right side view thereof;
FIG. 6 is a left side view thereof;
FIG. 7 is a bottom view thereof; and,
FIG. 8 is a top view thereof.

1 Claim, 8 Drawing Sheets



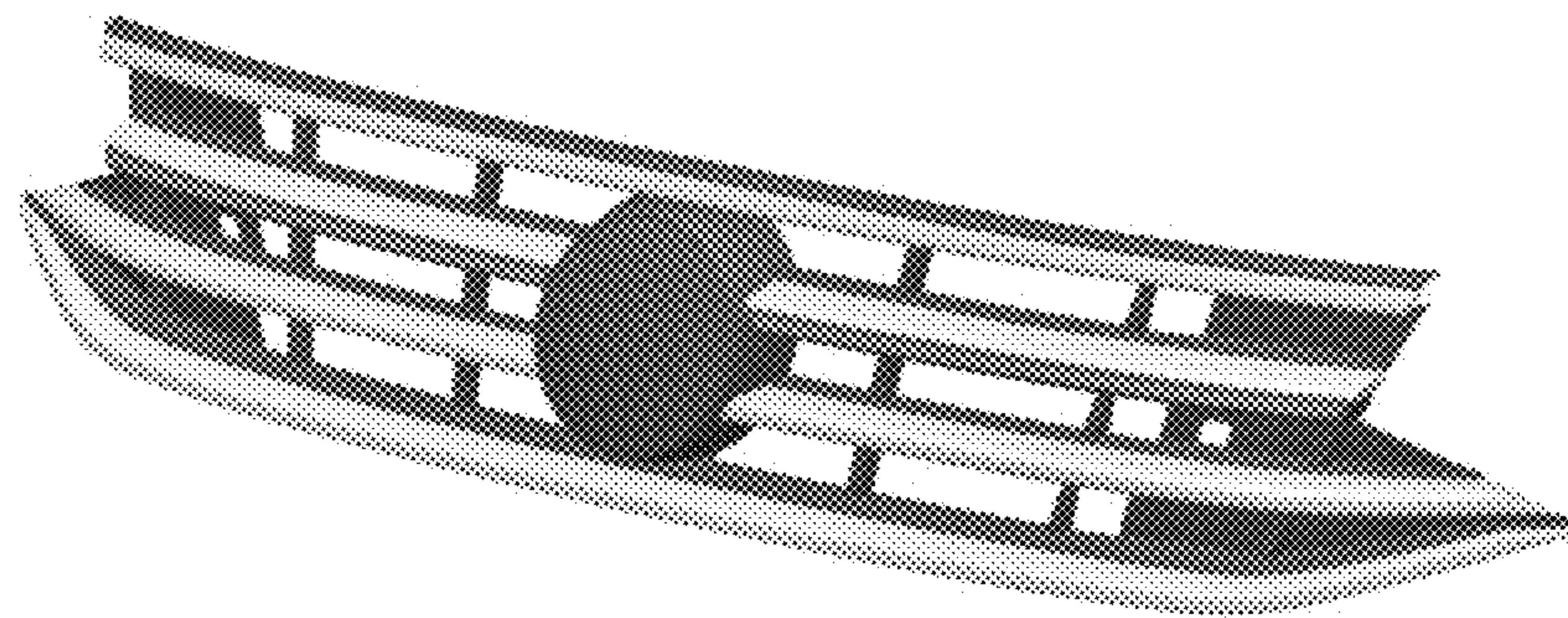


Fig. 1

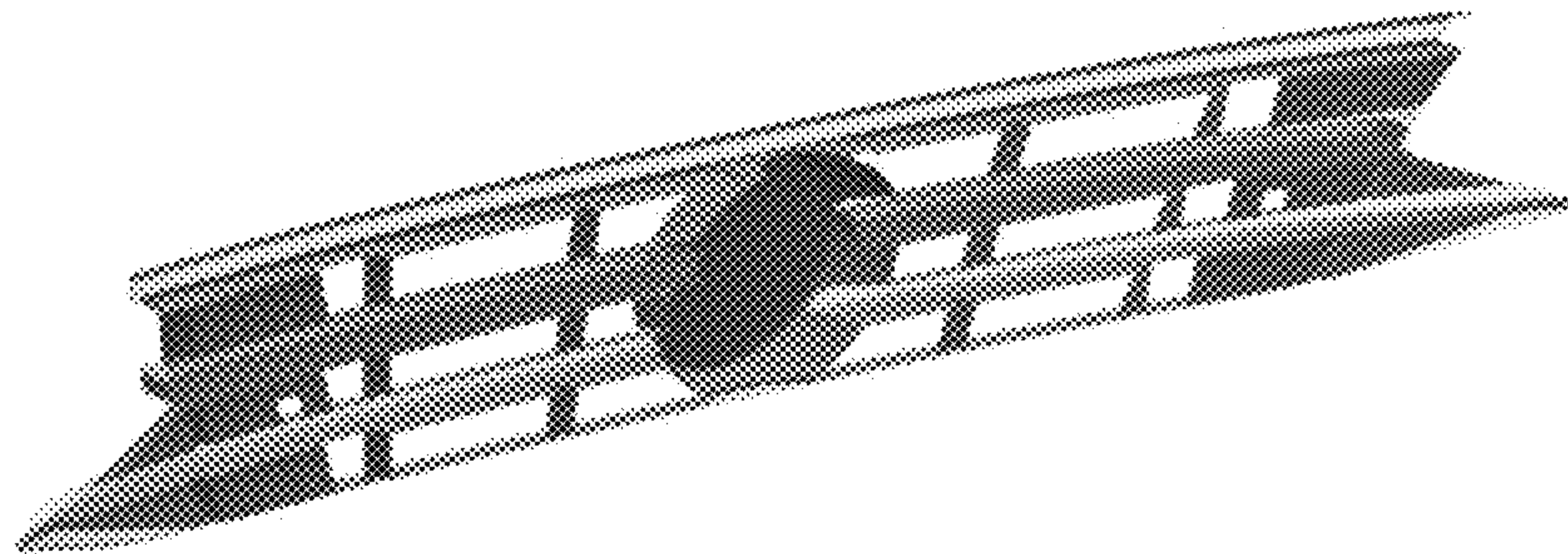


Fig. 2

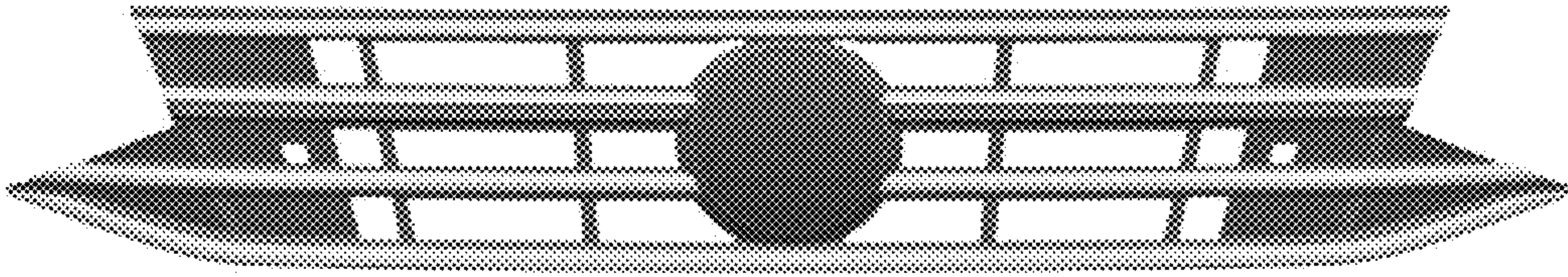


Fig. 3

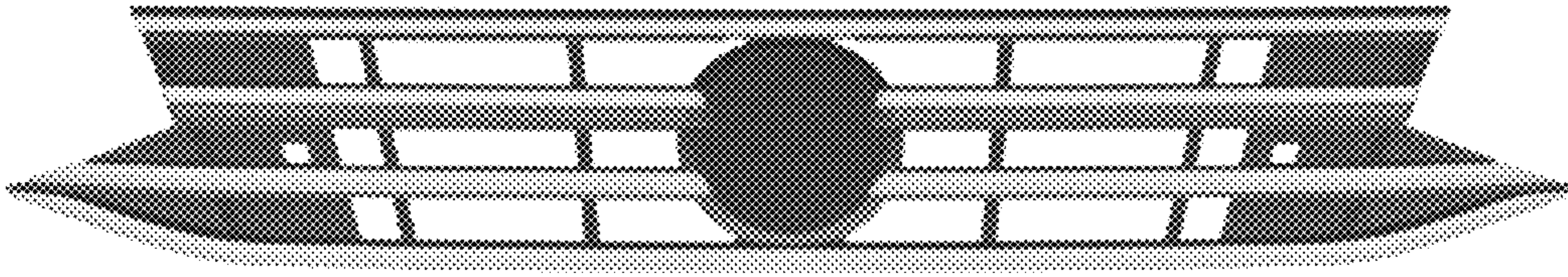


Fig. 4

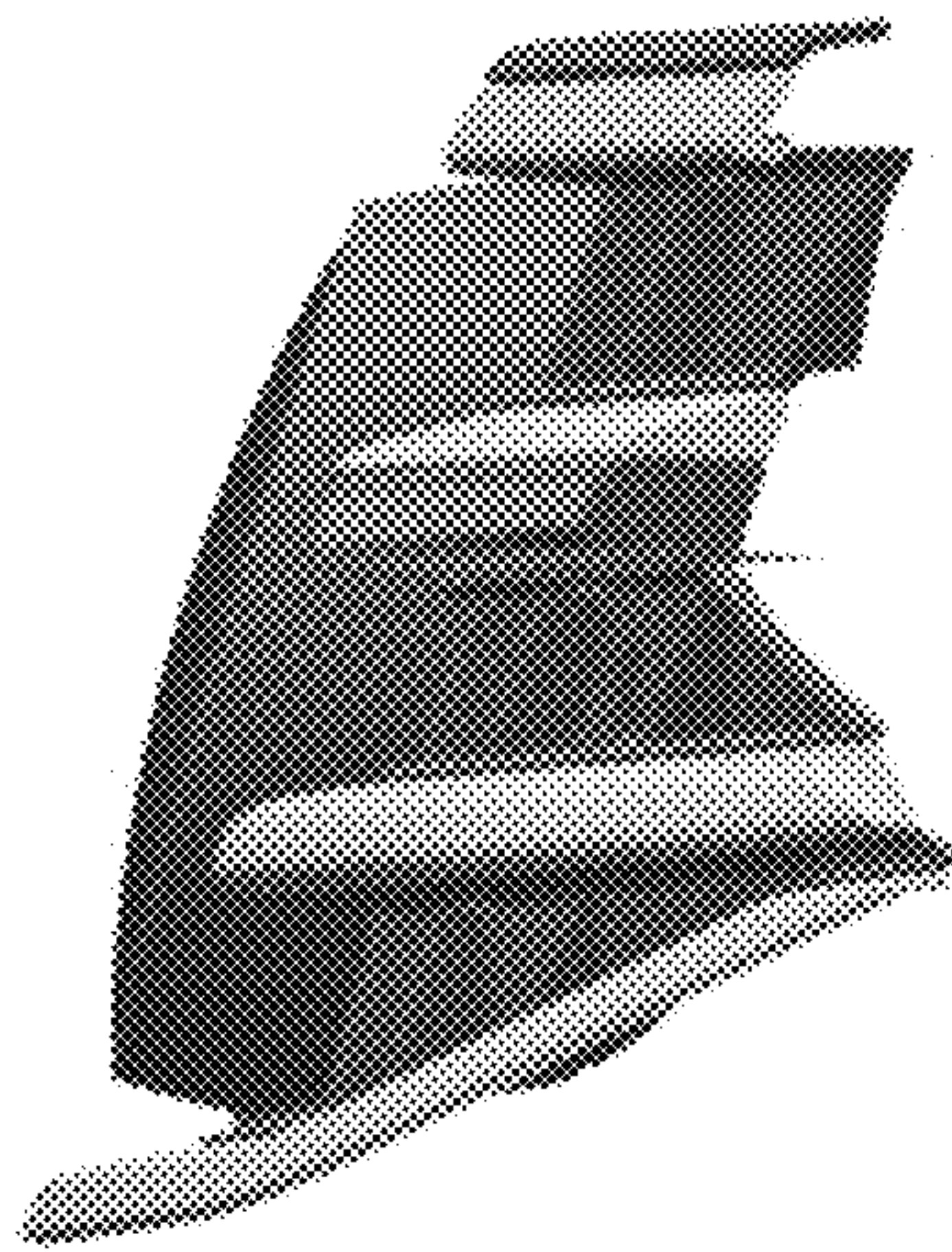


Fig. 5

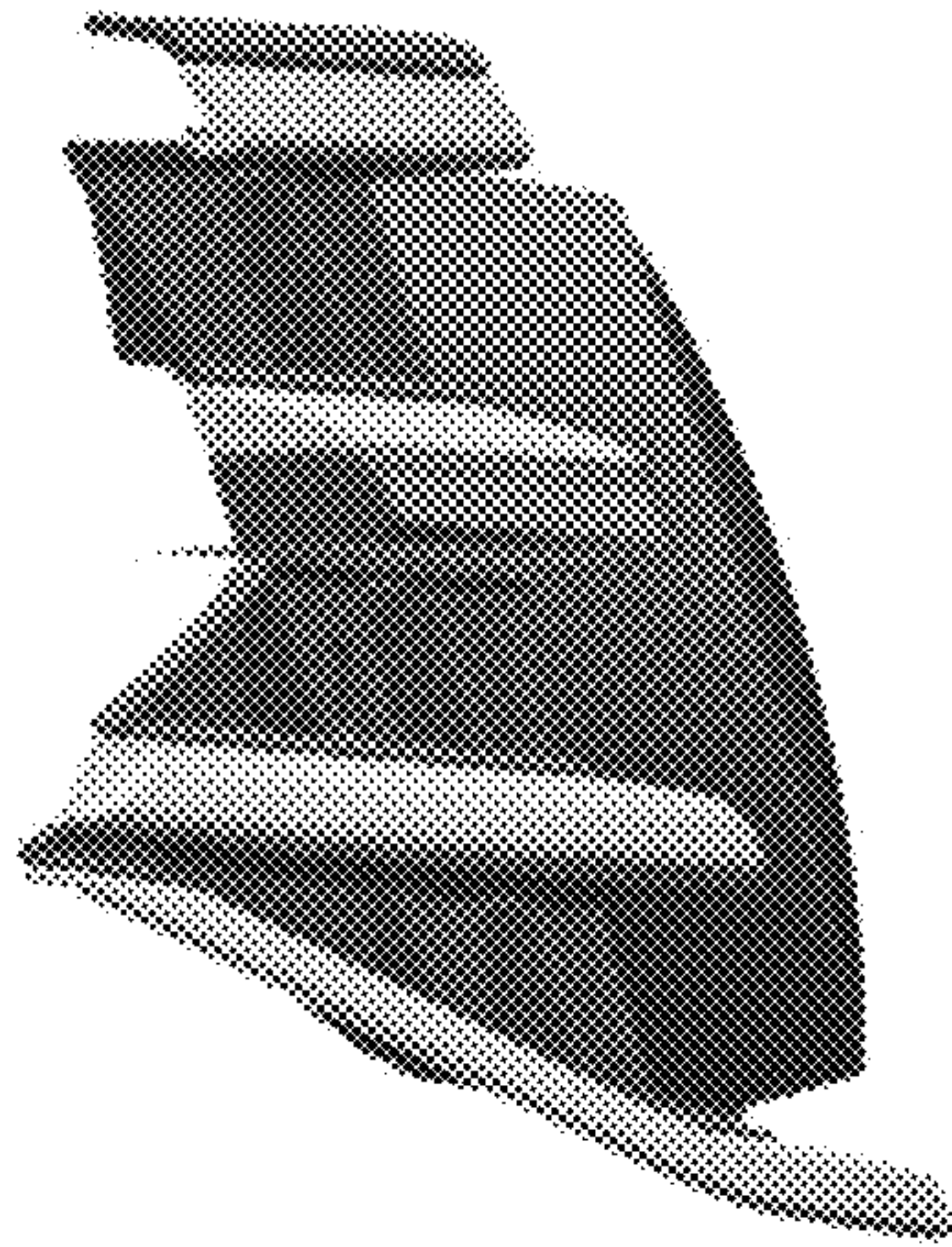


Fig. 6



Fig. 7

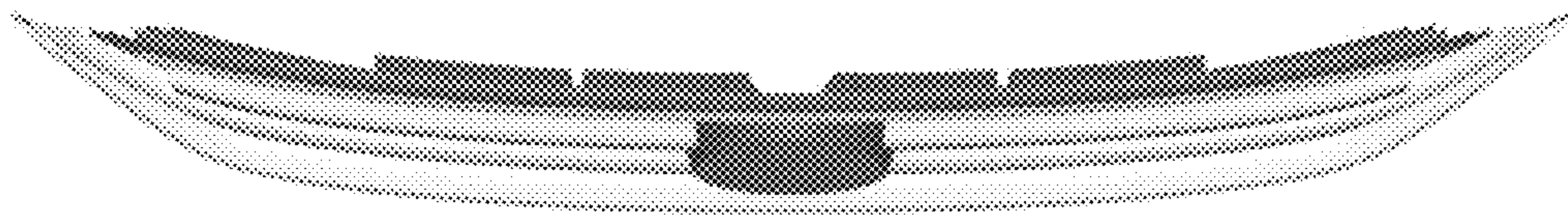


Fig. 8