



US00D935352S

(12) **United States Design Patent**
Guo et al.

(10) **Patent No.:** **US D935,352 S**
(45) **Date of Patent:** **** Nov. 9, 2021**

(54) **TRAILER TYPE OFF-ROAD TRAILER**

(71) Applicant: **Weihai Golden Travel & Leisure Product Co., Ltd, Weihai (CN)**

(72) Inventors: **Linlin Guo, Weihai (CN); Chunyu Zhang, Weihai (CN); Quanyou Liu, Weihai (CN); Yongliang Zhu, Weihai (CN)**

(**) Term: **15 Years**

(21) Appl. No.: **29/726,204**

(22) Filed: **Mar. 2, 2020**

(51) **LOC (13) Cl.** **12-16**

(52) **U.S. Cl.**
USPC **D12/103**

(58) **Field of Classification Search**
USPC D12/100–106, 19, 129, 111–112;
D21/425, 435; D34/21–26, 12, 16–19
CPC .. B62D 35/00; B62D 33/077; B62D 33/0612;
B62D 24/04; B60P 3/10; B60P 3/1033;
B60P 3/0257; B60P 3/38; B60P 3/34;
E01F 15/14
See application file for complete search history.

(56) **References Cited**

U.S. PATENT DOCUMENTS

D182,526 S *	4/1958	Lewis	D12/103
D617,685 S *	6/2010	Rodabaugh	D12/103
D707,591 S *	6/2014	Sands	D12/103
D833,915 S *	11/2018	Tatro	D12/103
D854,451 S *	7/2019	Roberts	D12/103
D854,453 S *	7/2019	Roberts	D12/103
D864,036 S *	10/2019	Hill	D12/103

D864,791 S *	10/2019	Roberts	D12/103
D879,666 S *	3/2020	Gerzeny	D12/103
2006/0208462 A1 *	9/2006	Spence	B60P 3/341 280/656
2008/0122197 A1 *	5/2008	Spence	B60P 3/341 280/400
2010/0096845 A1 *	4/2010	Leahy	B60P 3/14 280/789
2017/0297602 A1 *	10/2017	Hedberg	B62B 17/04

* cited by examiner

Primary Examiner — Katrina A Betton

(57) **CLAIM**

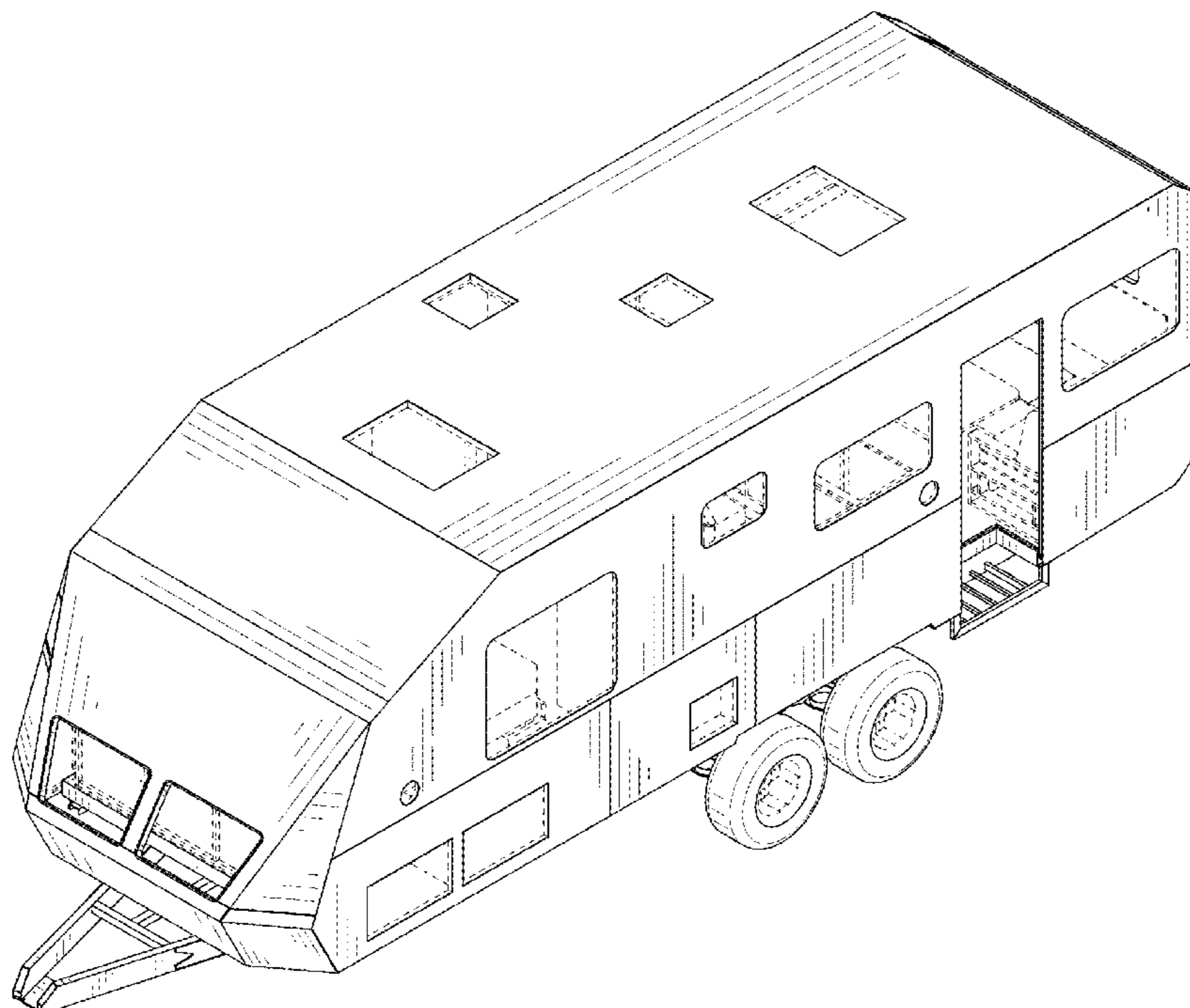
The ornamental design for a trailer type off-road trailer, as shown and described.

DESCRIPTION

FIG. 1 is a first perspective view of a trailer type off-road trailer showing my new design;
FIG. 2 is a second perspective view thereof;
FIG. 3 is a front view thereof;
FIG. 4 is a back view thereof;
FIG. 5 is a left side view thereof;
FIG. 6 is a right side view thereof;
FIG. 7 is a top view thereof;
FIG. 8 is a bottom view thereof;
FIG. 9 is an enlarged view of the selected portion in FIG. 2; and,
FIG. 10 is an enlarged view of the selected portion in FIG. 2.

The broken lines shown in the drawings depict portions of the trailer type off-road trailer in which the design is embodied that form no part of the claimed design.

1 Claim, 10 Drawing Sheets



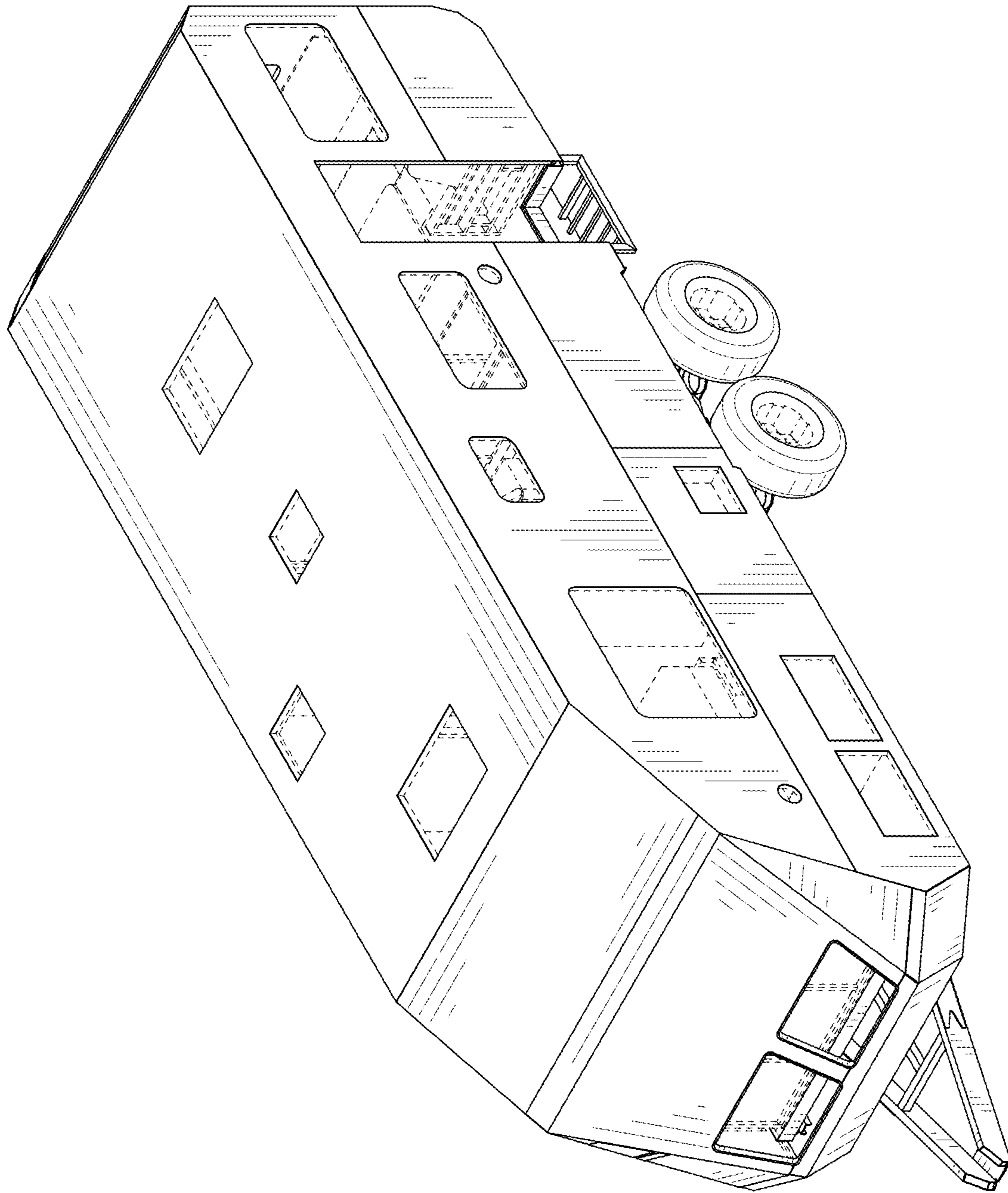


FIG. 1

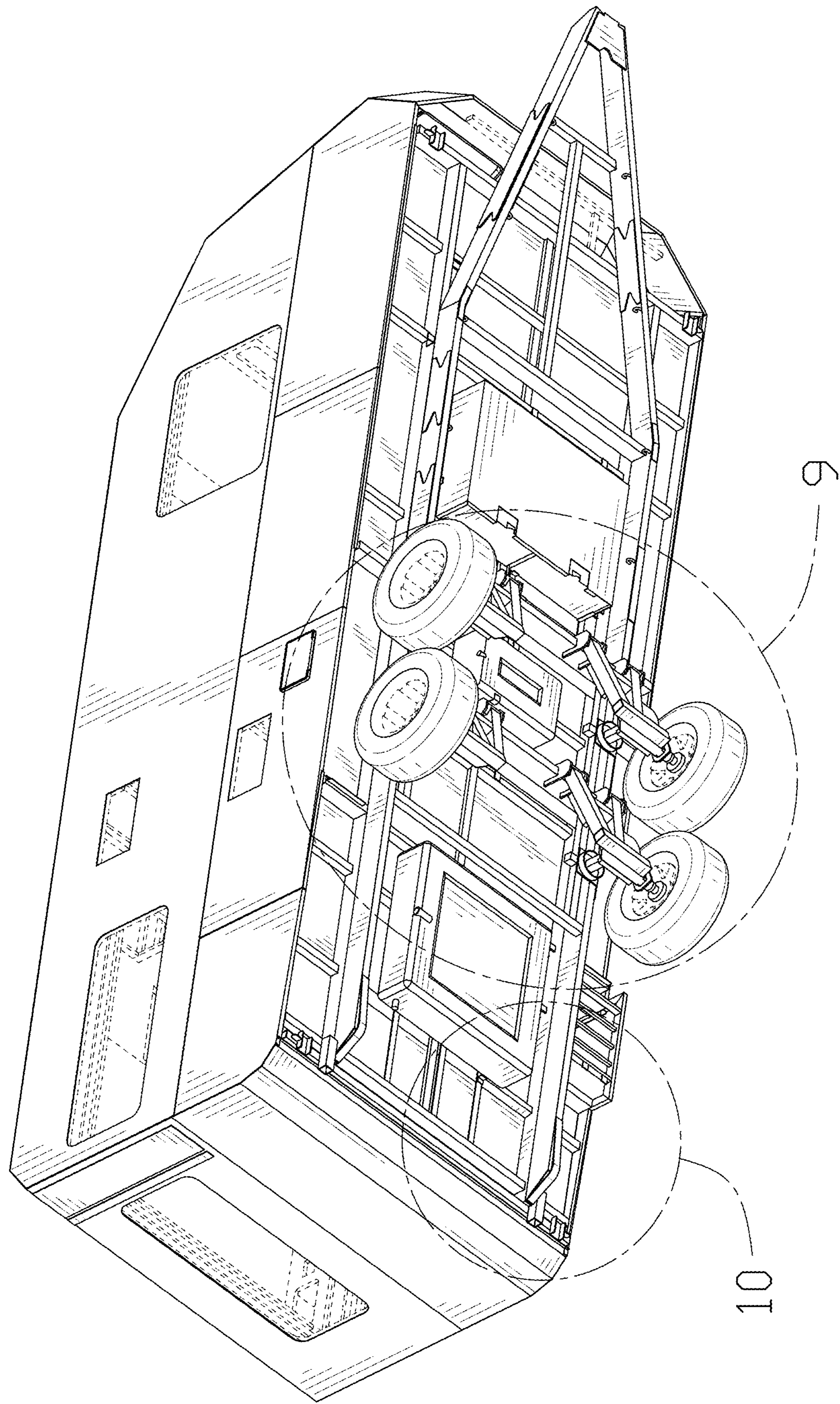


FIG. 2

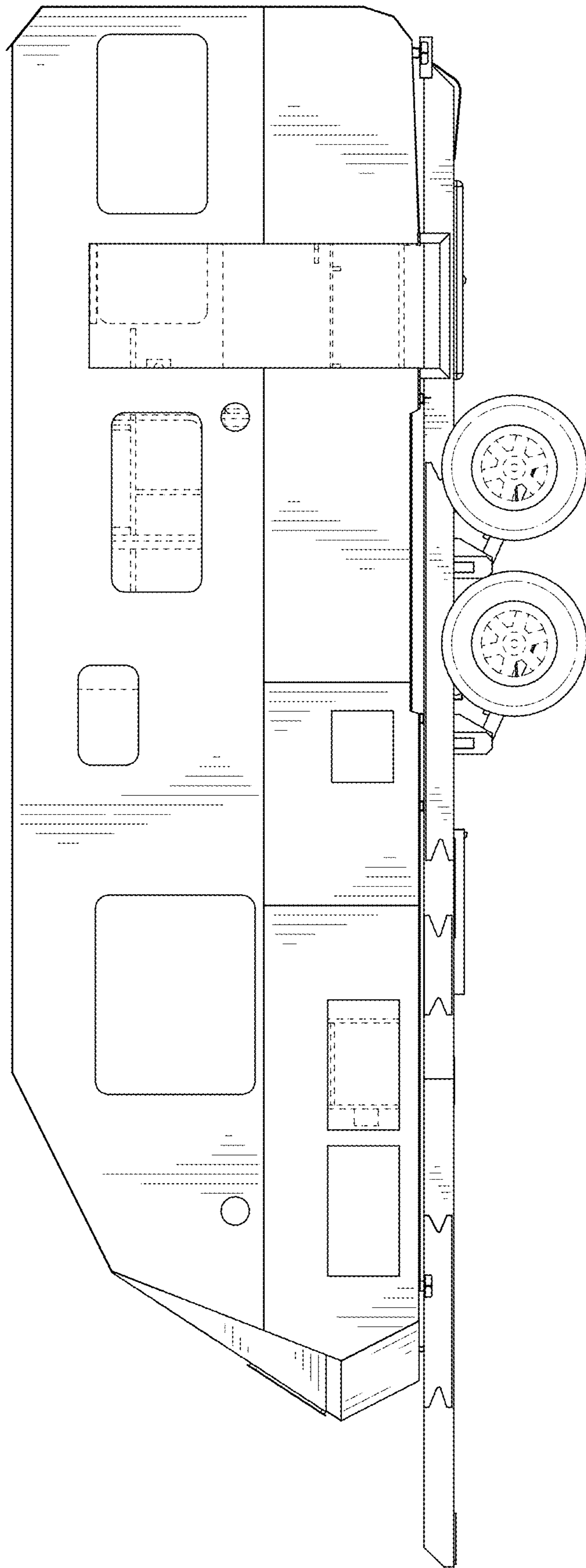


FIG. 3

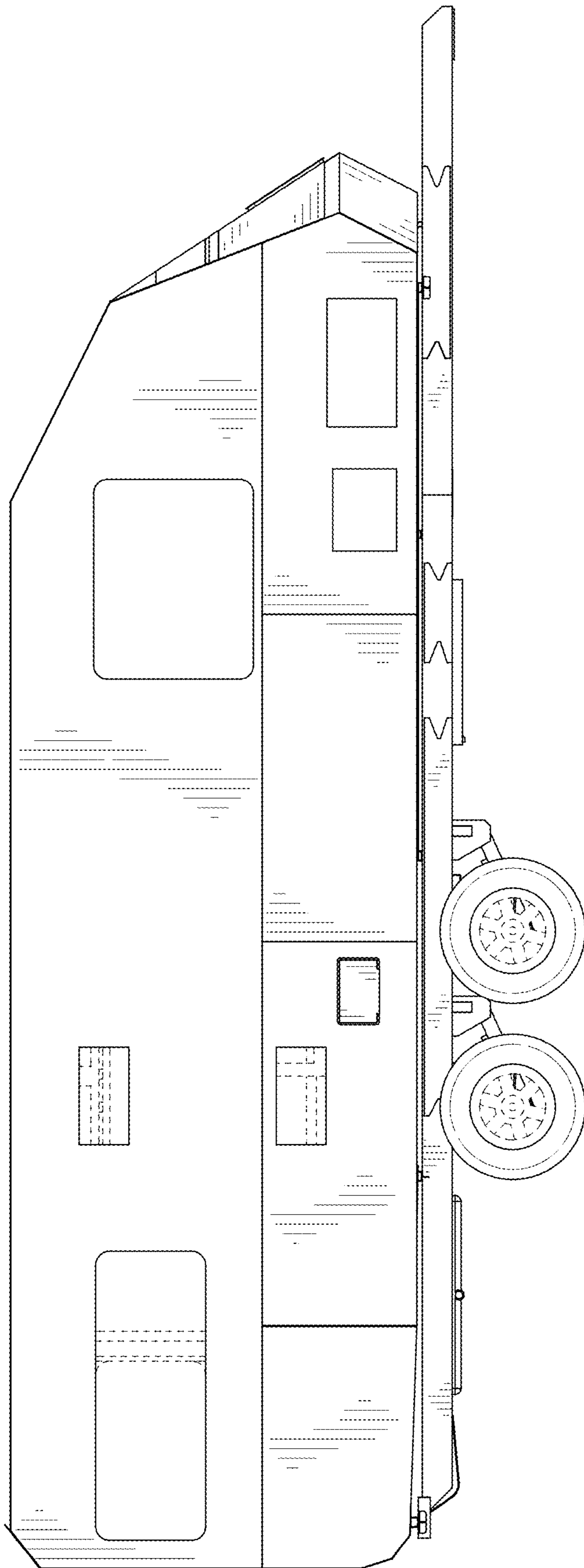


FIG. 4

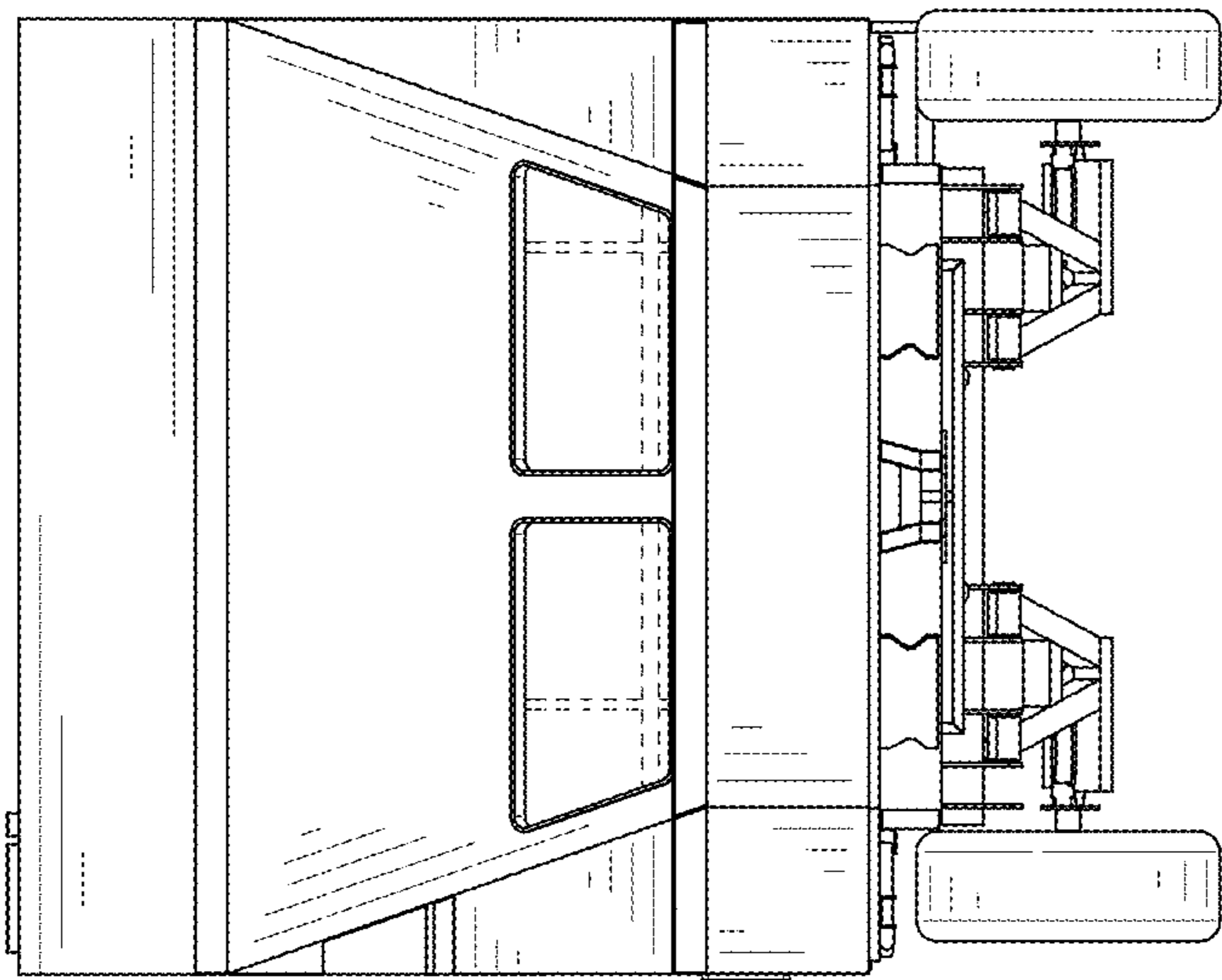


FIG. 5

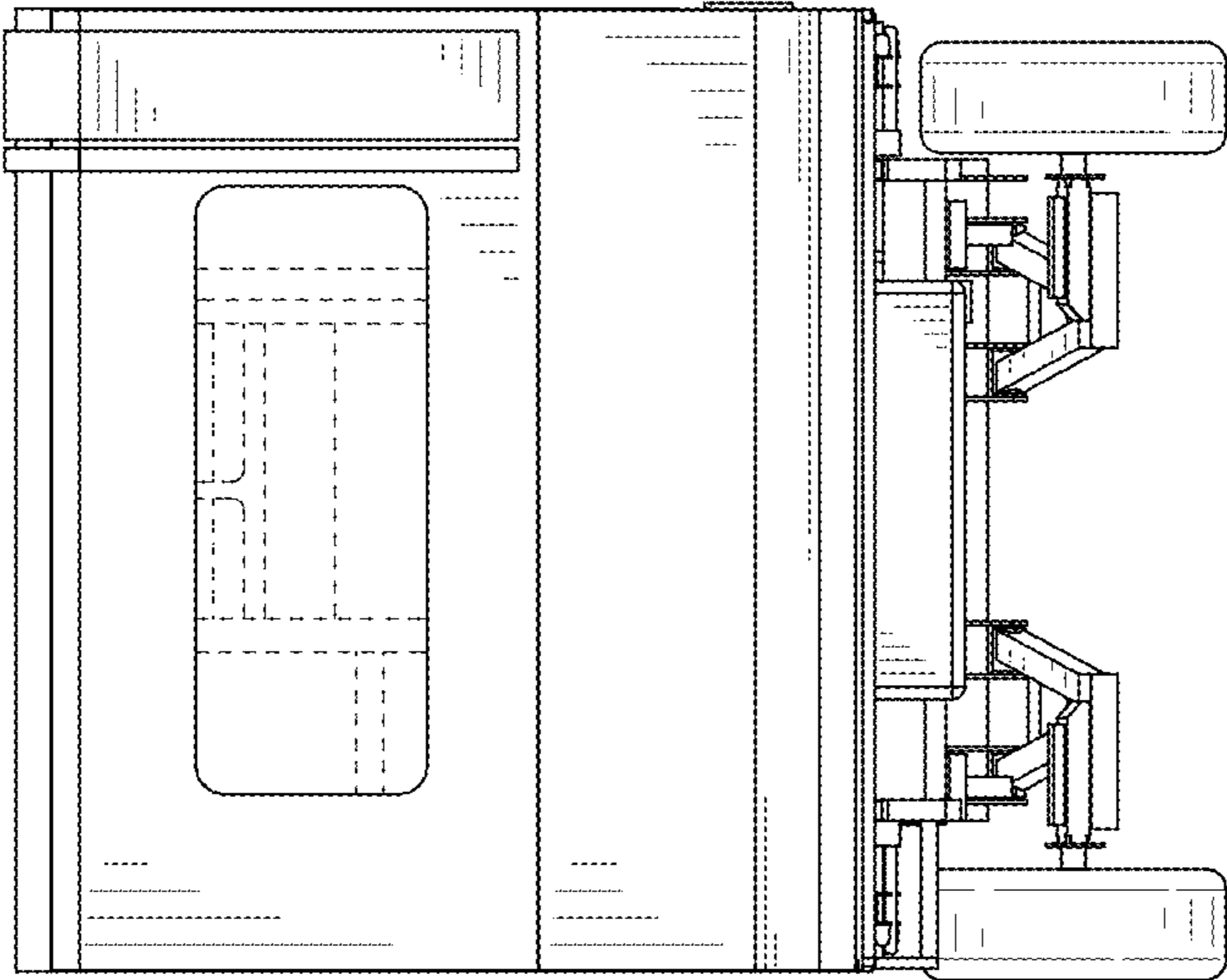


FIG. 6

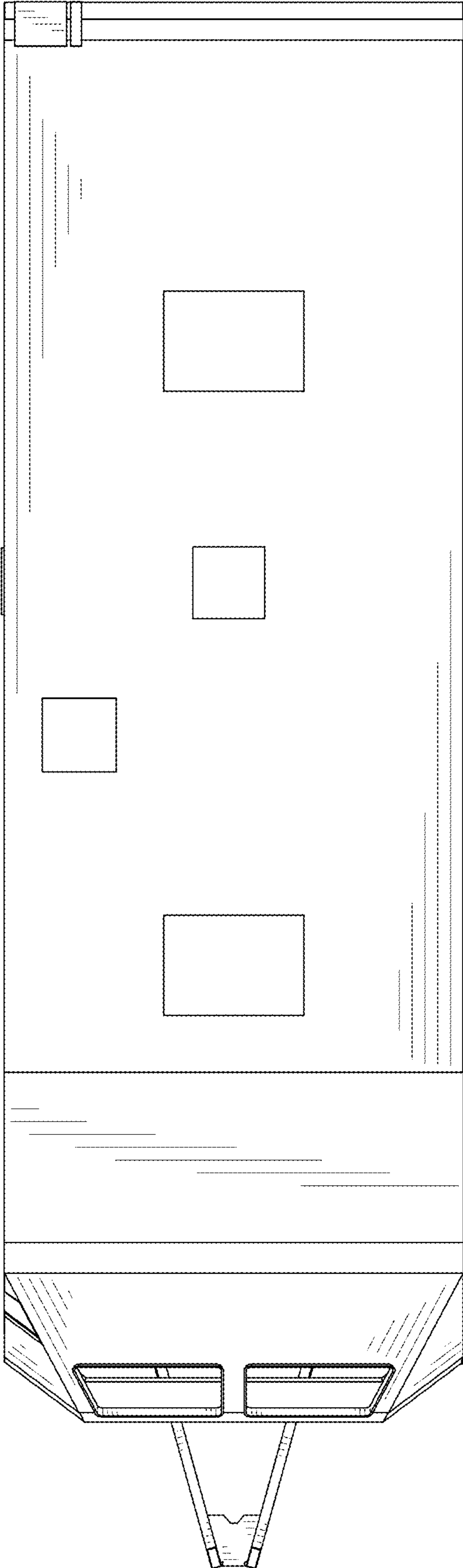


FIG. 7

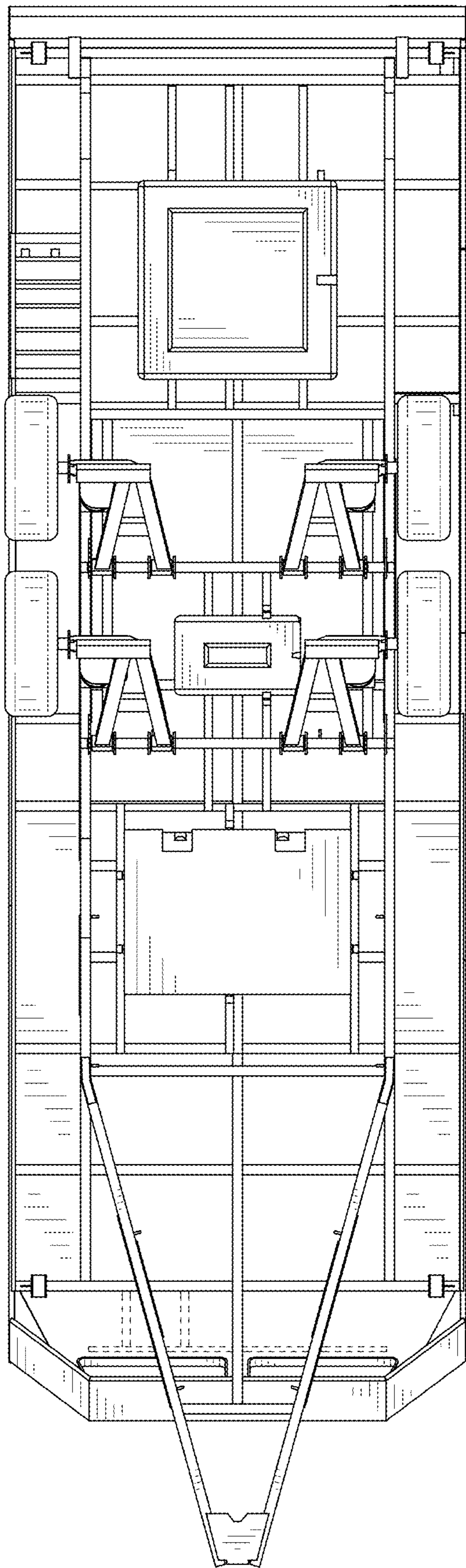


FIG. 8

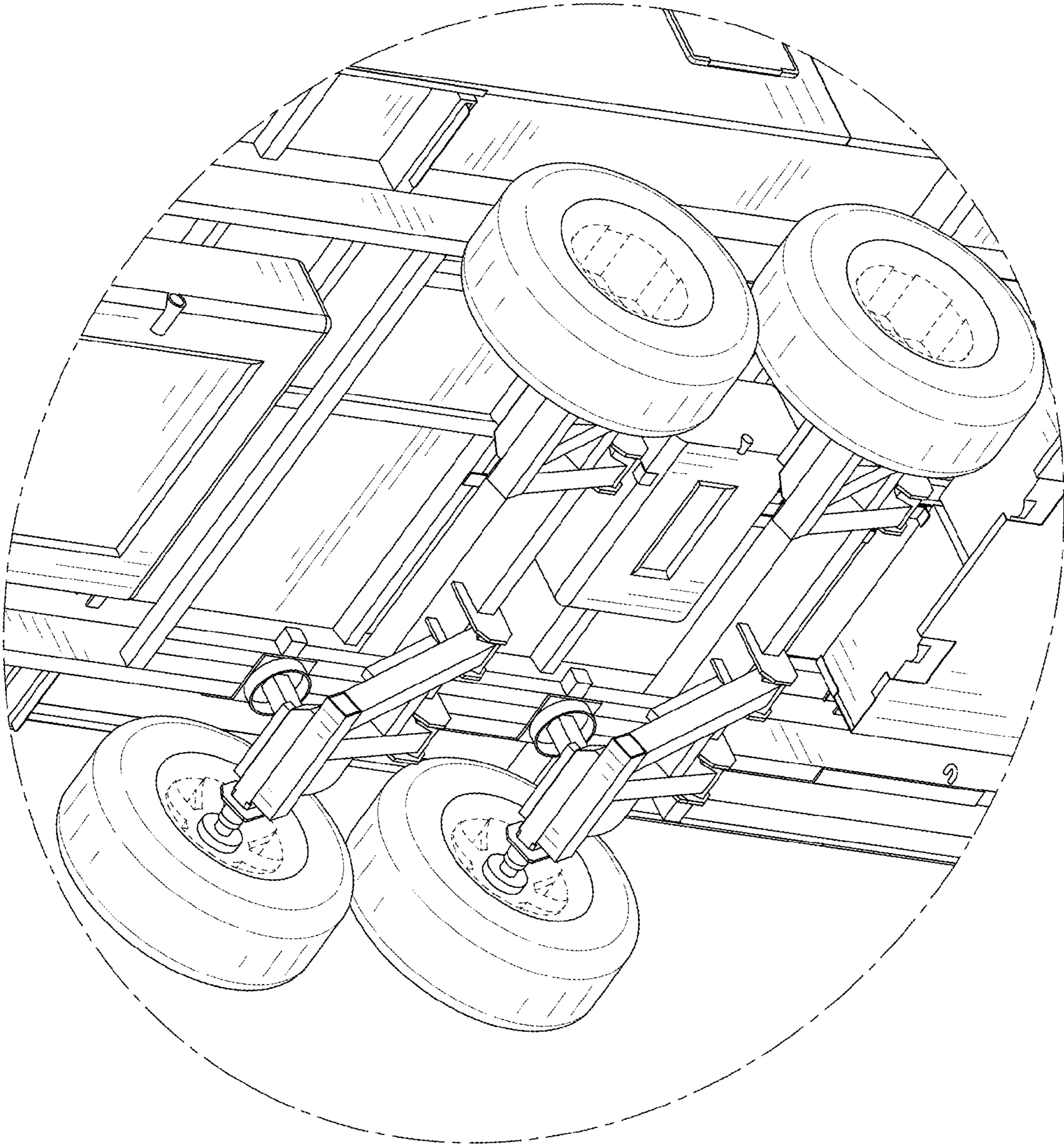


FIG. 9

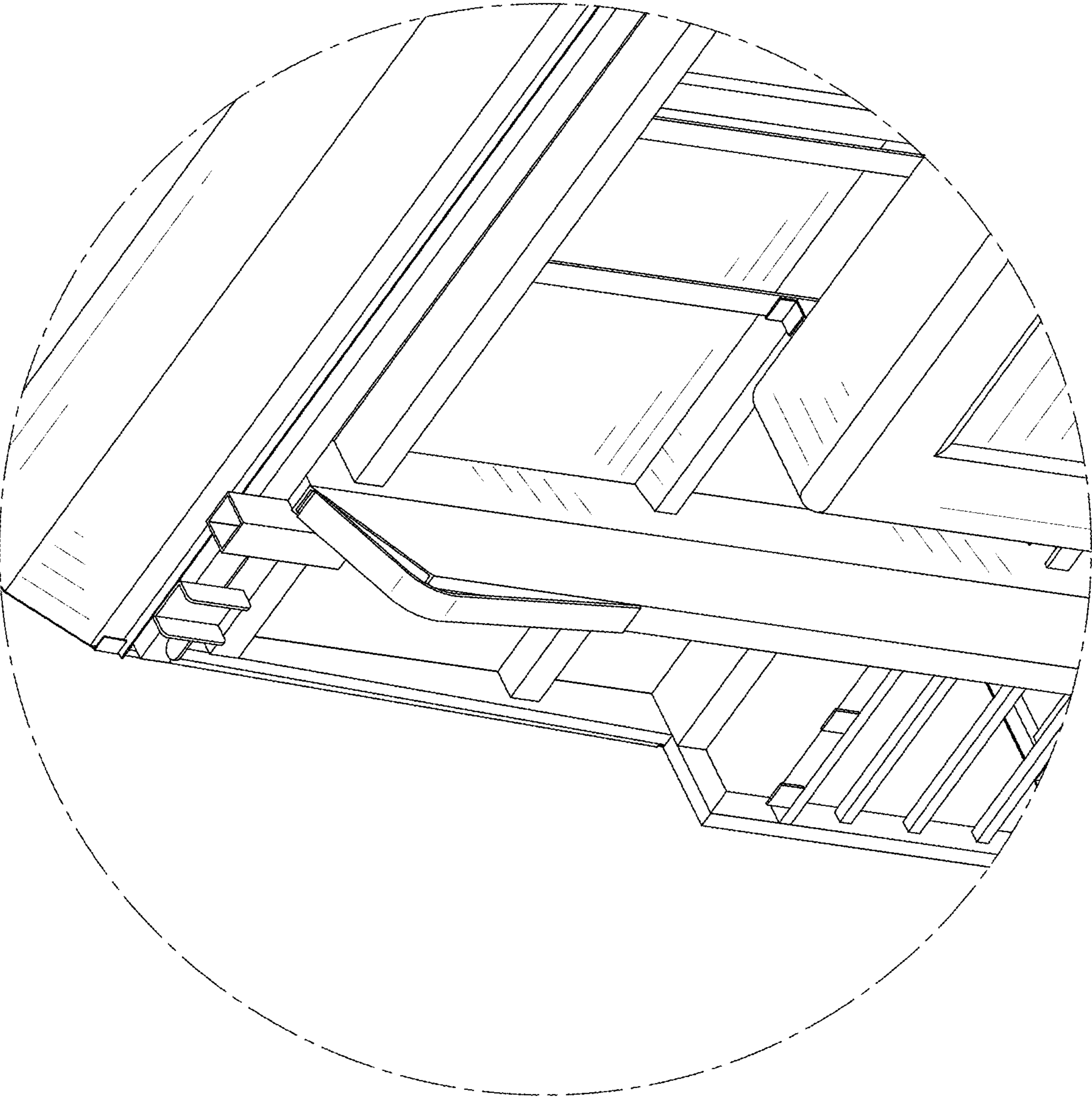


FIG. 10