



US00D935350S

(12) **United States Design Patent**
Julian et al.

(10) **Patent No.:** **US D935,350 S**

(45) **Date of Patent:** **** Nov. 9, 2021**

(54) **AUTONOMOUS VEHICLE**

(71) Applicant: **Nuro, Inc.**, Mountain View, CA (US)
(72) Inventors: **Benjamin Wade Julian**, San Francisco, CA (US); **Robert Jong Kon Kim**, Mountain View, CA (US)
(73) Assignee: **NURO, INC.**, Mountain View, CA (US)
(**) Term: **15 Years**
(21) Appl. No.: **29/735,480**

(22) Filed: **May 21, 2020**
(51) **LOC (13) Cl.** **12-08**
(52) **U.S. Cl.**
USPC **D12/86**

(58) **Field of Classification Search**
USPC ... D12/1, 14, 82, 86, 89, 90, 91, 92, 93, 96, D12/97, 98, 99, 106, 163, 164, 165, 166, D12/167, 169, 170, 171, 172, 181, 190, D12/196, 216, 400, 401, 402, 403, 404, D12/405, 406, 412, 414, 418; D21/533, D21/548, 552, 561
CPC B62D 31/00; B62D 31/003; B62D 25/00; B62D 25/06; B62D 25/08; B62D 35/00; B62D 33/00; B60J 7/0084; B60J 7/022; B60J 7/02; B60J 7/04; B60J 7/047; B60J
(Continued)

(56) **References Cited**

U.S. PATENT DOCUMENTS

D49,711 S * 9/1916 Marsh D12/91
D95,718 S * 5/1935 Voigt D12/90
(Continued)

FOREIGN PATENT DOCUMENTS

CN 306092035 S 10/2020
CN 306235977 S 12/2020
CN 306358536 S 3/2021

OTHER PUBLICATIONS

Nuro Vehicle at Proving Grounds, Published on Jan. 30, 2018 [online], [retrieved on May 14, 2021]. Retrieved from the Internet: <https://www.youtube.com/watch?v=wsl7N7hhZTg&t=53s> (Year: 2018).*

Primary Examiner — Christian P. McLean

Assistant Examiner — Adam C Mager

(74) *Attorney, Agent, or Firm* — Edell, Shapiro & Finnan, LLC

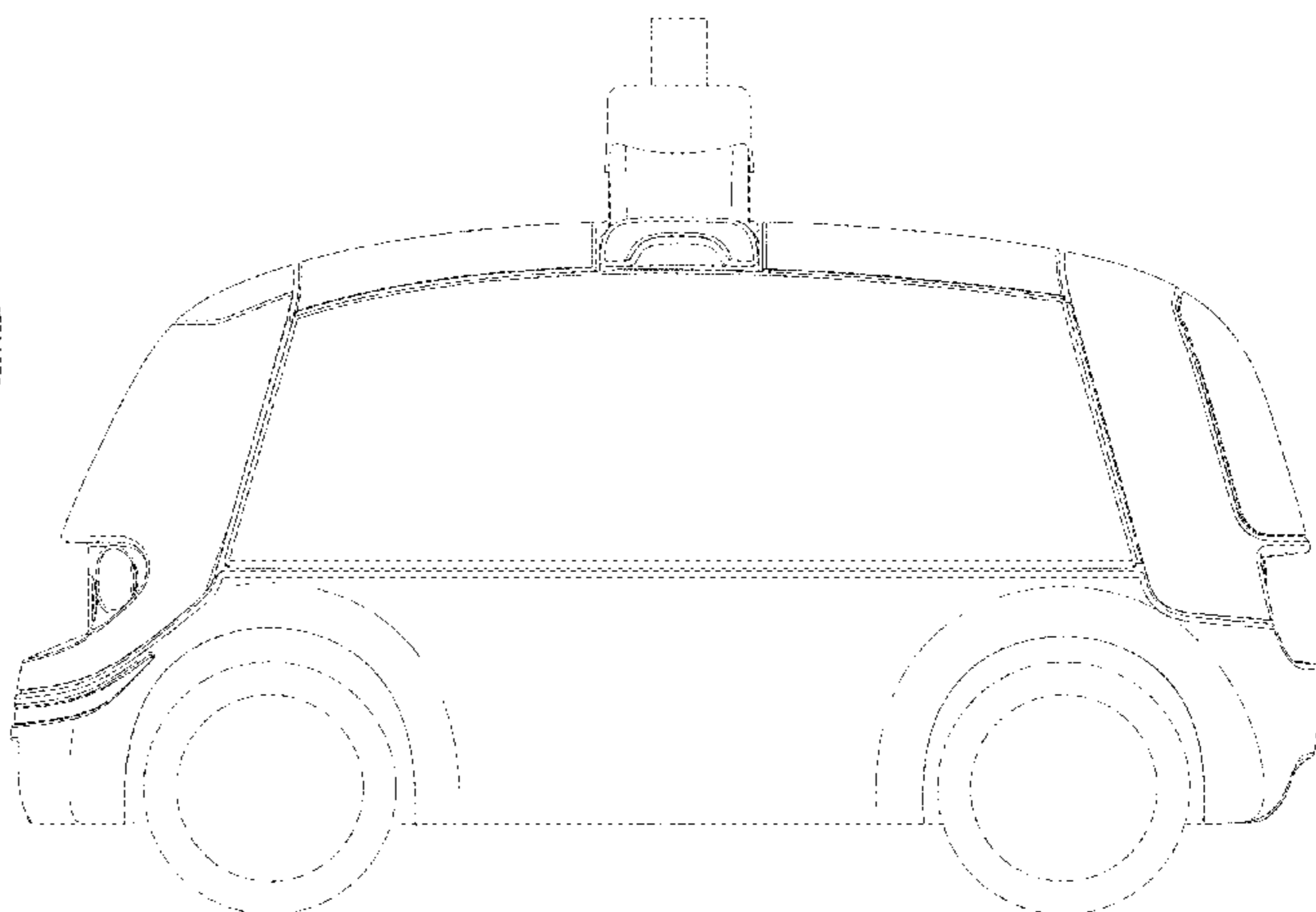
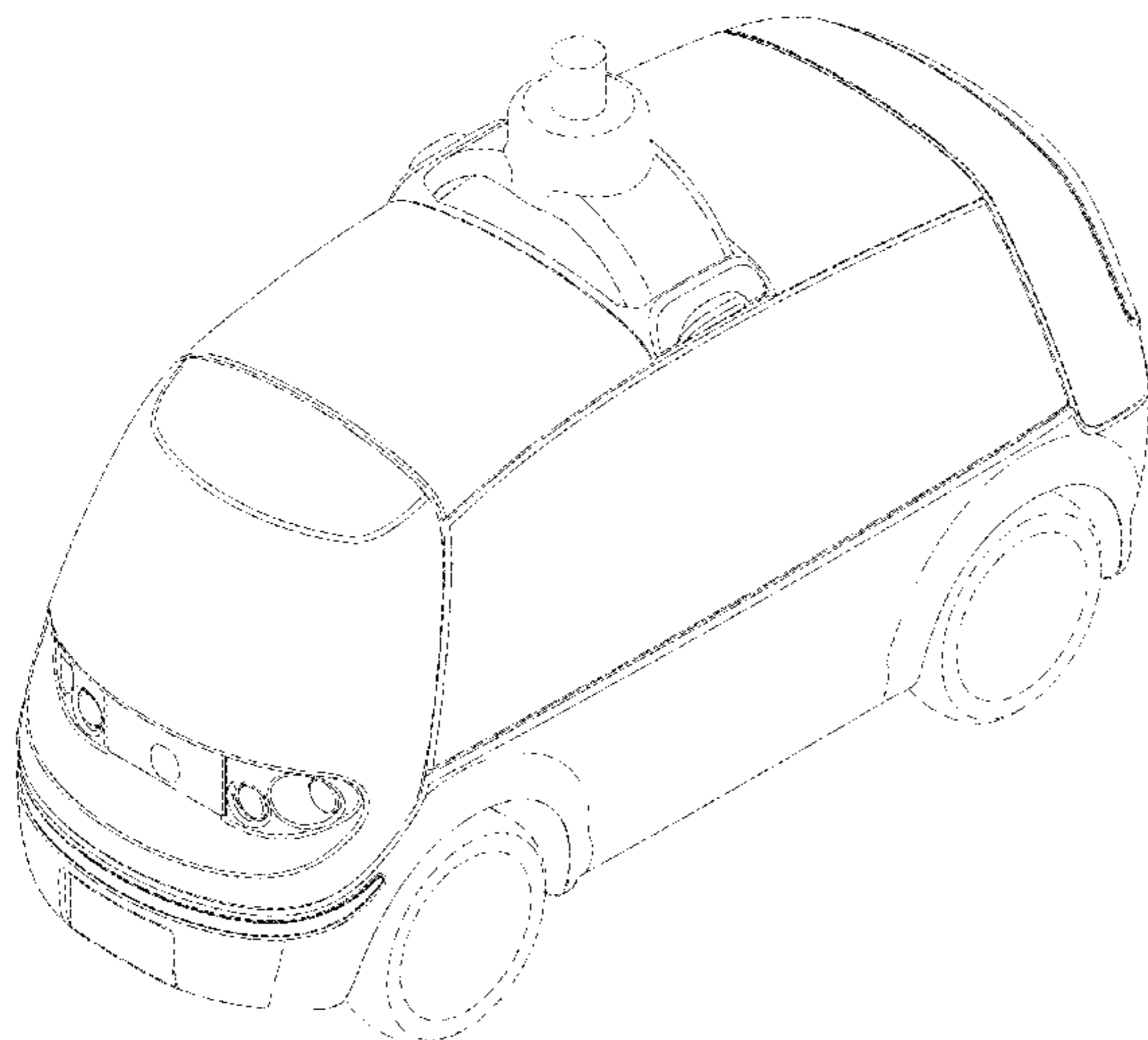
(57) **CLAIM**

The ornamental design for an autonomous vehicle, as shown and described.

DESCRIPTION

FIG. 1 is a front perspective view of an autonomous vehicle, according to our new design;
FIG. 2 is a rear perspective view of the autonomous vehicle of FIG. 1;
FIG. 3 is a front view of the autonomous vehicle of FIG. 1;
FIG. 4 is a rear view of the autonomous vehicle of FIG. 1;
FIG. 5 is a first side view of the autonomous vehicle of FIG. 1;
FIG. 6 is a second side view of autonomous vehicle of FIG. 1;
FIG. 7 is a top view of the autonomous vehicle of FIG. 1; and
FIG. 8 is a bottom view of the autonomous vehicle of FIG. 1; and,
FIG. 9 is a rear perspective view of the autonomous vehicle, similar to FIG. 2, with side compartment doors open.
The dot-dash broken lines illustrate the boundary of the design and form no part of the claim. The remaining broken lines illustrate portions of the autonomous vehicle that form no part of the claimed design.

1 Claim, 8 Drawing Sheets



(58) **Field of Classification Search**
 CPC ... 7/061; B60J 7/062; B60J 7/067; B60J 7/08;
 B60J 7/10; B60J 7/11; B60J 7/12; B60J
 7/16; B60J 7/106; B60J 7/1642; B60J
 11/04; B60J 11/06; B60P 7/00; B60P 7/06
 See application file for complete search history.

(56) **References Cited**

U.S. PATENT DOCUMENTS

D96,860 S * 9/1935 Ryan D12/90
 D118,221 S * 12/1939 Stevens D12/99
 2,190,227 A * 2/1940 Best B62D 23/00
 296/203.01
 D126,874 S * 4/1941 Plumb D12/90
 D133,076 S * 7/1942 Gerich D12/12
 2,309,242 A * 1/1943 Dumelin B60J 7/1278
 296/105
 D154,782 S * 8/1949 Kiehn D12/90
 2,638,374 A * 5/1953 Willson B60P 3/36
 296/156
 D172,249 S * 5/1954 Rivolta D12/90
 D179,549 S * 1/1957 Rivolta D12/90
 D184,733 S * 3/1959 Hofmeister D12/90
 2,940,416 A * 6/1960 Gierke B60Q 1/22
 116/28 R
 2,967,073 A * 1/1961 Gagliardi B60J 7/04
 296/202
 3,352,597 A * 11/1967 Barenyi B60N 2/01
 296/181.1
 D273,098 S * 3/1984 Ohhashi D12/90
 D318,031 S * 7/1991 Moriarty D12/90
 D350,503 S * 9/1994 Yang D12/90
 D373,330 S * 9/1996 Halajko D12/90
 D378,995 S * 4/1997 Lui D12/91
 D389,784 S * 1/1998 Ishikawa D12/92
 D447,191 S * 8/2001 Hoelzel D21/433
 D457,468 S * 5/2002 Jenkins D12/90
 D459,764 S * 7/2002 Hoelzel D21/433

D460,930 S * 7/2002 Fujita D12/92
 D504,707 S * 5/2005 Gieson D21/552
 D560,554 S * 1/2008 Aube D12/91
 D563,831 S * 3/2008 Suge D12/84
 D565,464 S * 4/2008 Falasca D12/91
 D588,500 S * 3/2009 Howell D12/92
 D615,905 S * 5/2010 Arnell D12/91
 D626,453 S * 11/2010 Arnell D12/86
 D671,452 S * 11/2012 Fernandez Isoird D12/86
 D734,211 S * 7/2015 Ahn D12/86
 D755,673 S * 5/2016 Ahn D12/86
 D774,948 S * 12/2016 Abbes D12/92
 D786,133 S * 5/2017 Song D12/86
 D800,017 S * 10/2017 Sapet D12/86
 D805,443 S * 12/2017 Coates D12/169
 D811,268 S * 2/2018 Marioni D12/90
 D818,880 S * 5/2018 Bischoff D12/91
 D832,742 S * 11/2018 Fisker D12/86
 D835,000 S * 12/2018 Tomasson D12/91
 D836,026 S * 12/2018 Renner D12/86
 D839,784 S * 2/2019 Sugawara D12/86
 D845,171 S * 4/2019 Kang D12/90
 D846,446 S * 4/2019 Kang D12/90
 D847,022 S * 4/2019 Kang D12/90
 D853,888 S * 7/2019 Waters et al.
 D856,192 S * 8/2019 Yamada D12/86
 D858,356 S * 9/2019 Sapet D12/91
 D860,862 S * 9/2019 Janin D12/90
 10,623,734 B1 * 4/2020 Shen H04L 41/0896
 D890,027 S * 7/2020 Gronenthal D12/86
 D904,930 S * 12/2020 Missoni D12/86
 10,960,744 B1 * 3/2021 Earl B60J 7/1642
 2013/0180788 A1 * 7/2013 Jin B60L 53/14
 180/65.1
 2016/0207418 A1 * 7/2016 Bergstrom B60G 3/06
 2019/0026886 A1 * 1/2019 Ferguson G08G 1/0175
 2019/0035282 A1 * 1/2019 Ferguson G05D 1/0038
 2021/0094376 A1 * 4/2021 Smith G06Q 10/087
 2021/0094506 A1 * 4/2021 Baker G06Q 10/06315
 2021/0094589 A1 * 4/2021 Sarett B60W 50/0225

* cited by examiner

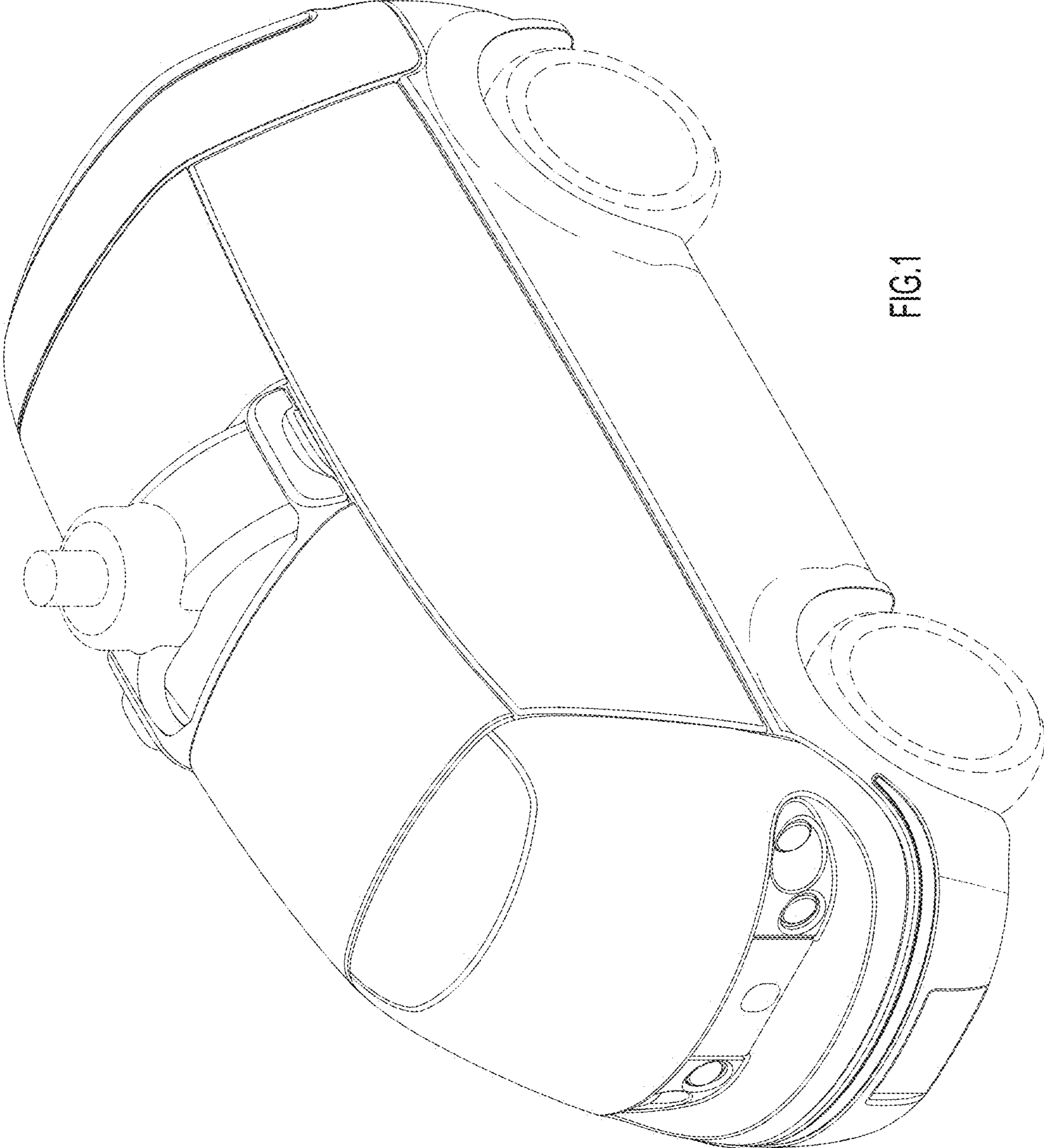


FIG.1

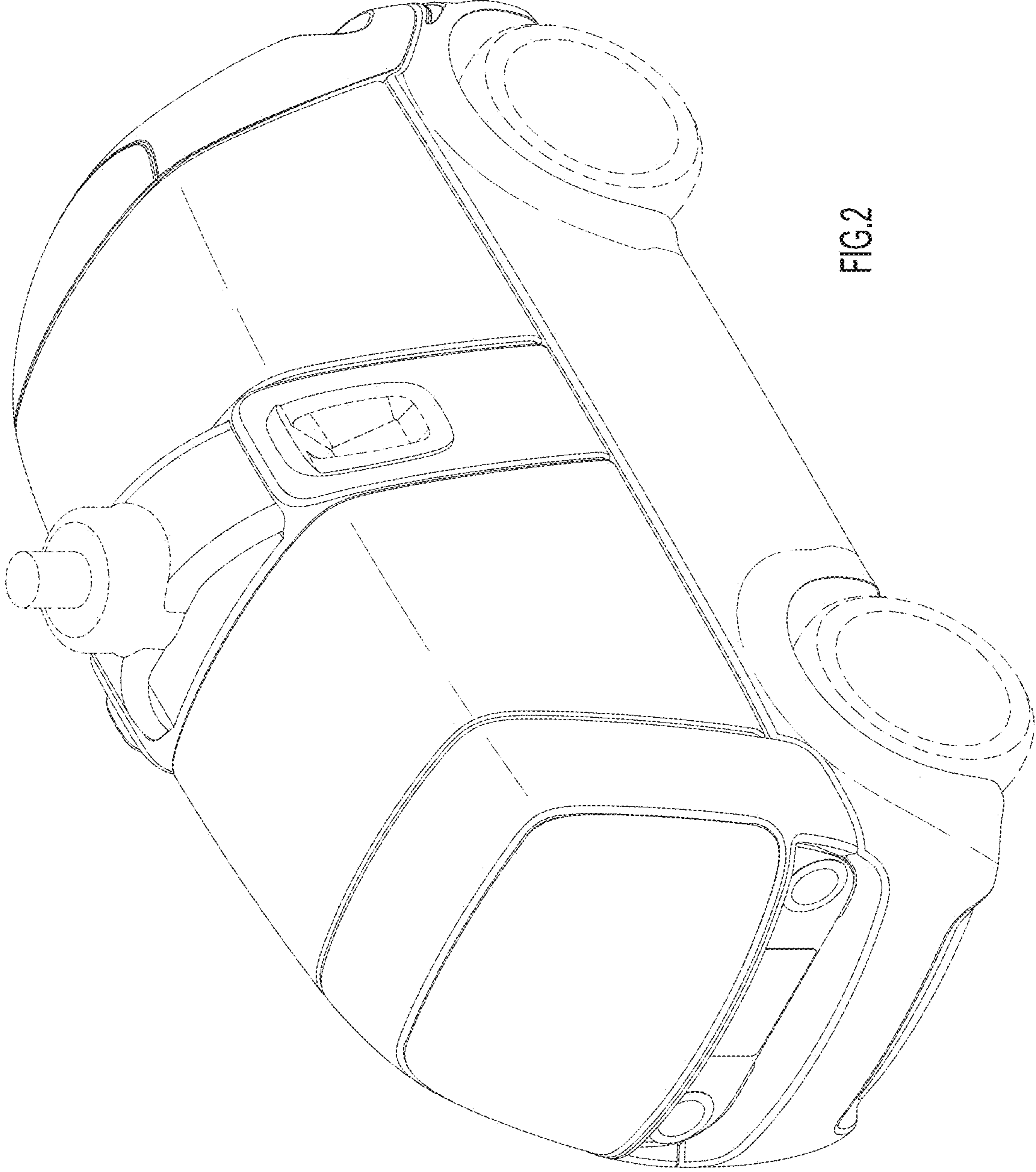


FIG.2

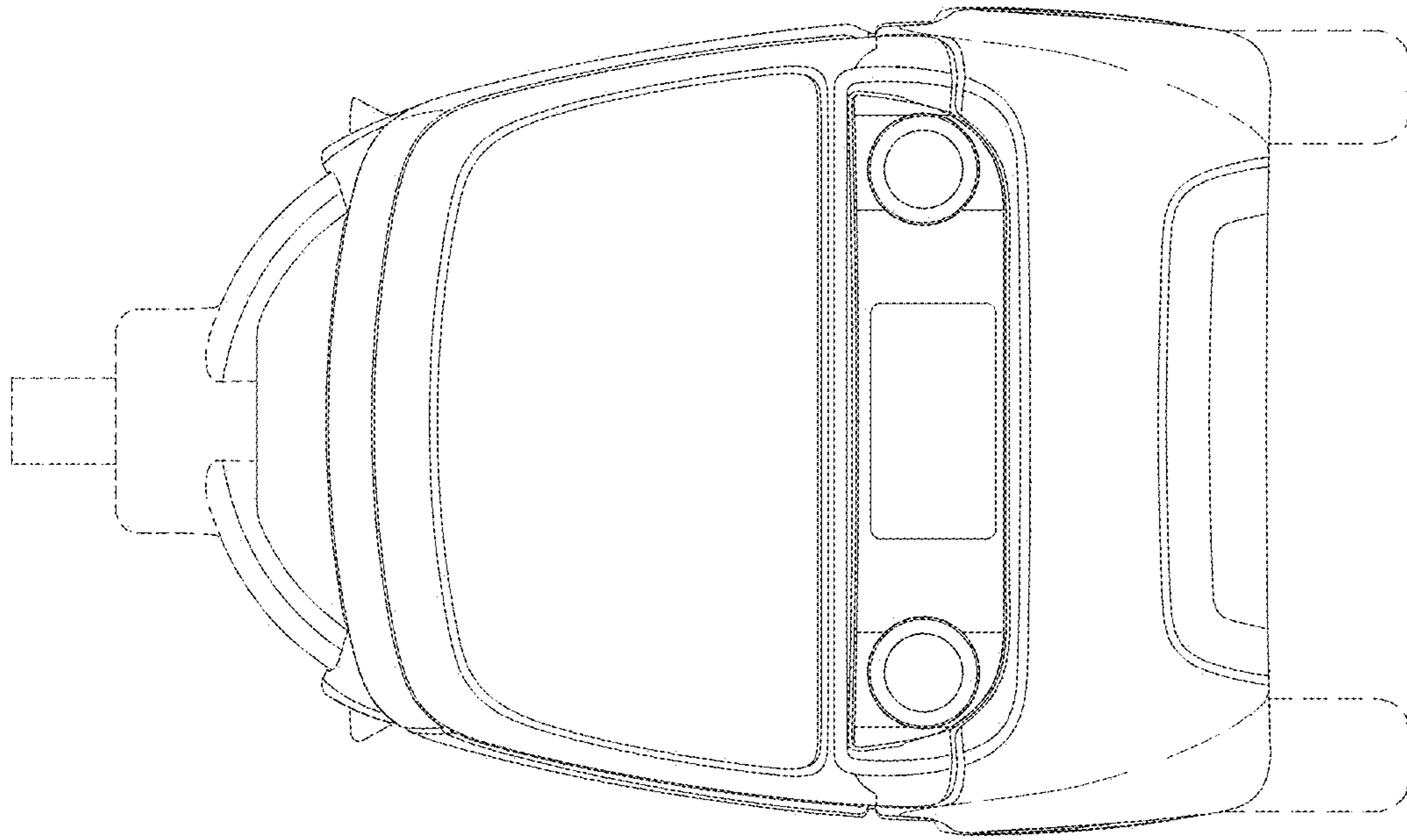


FIG.3

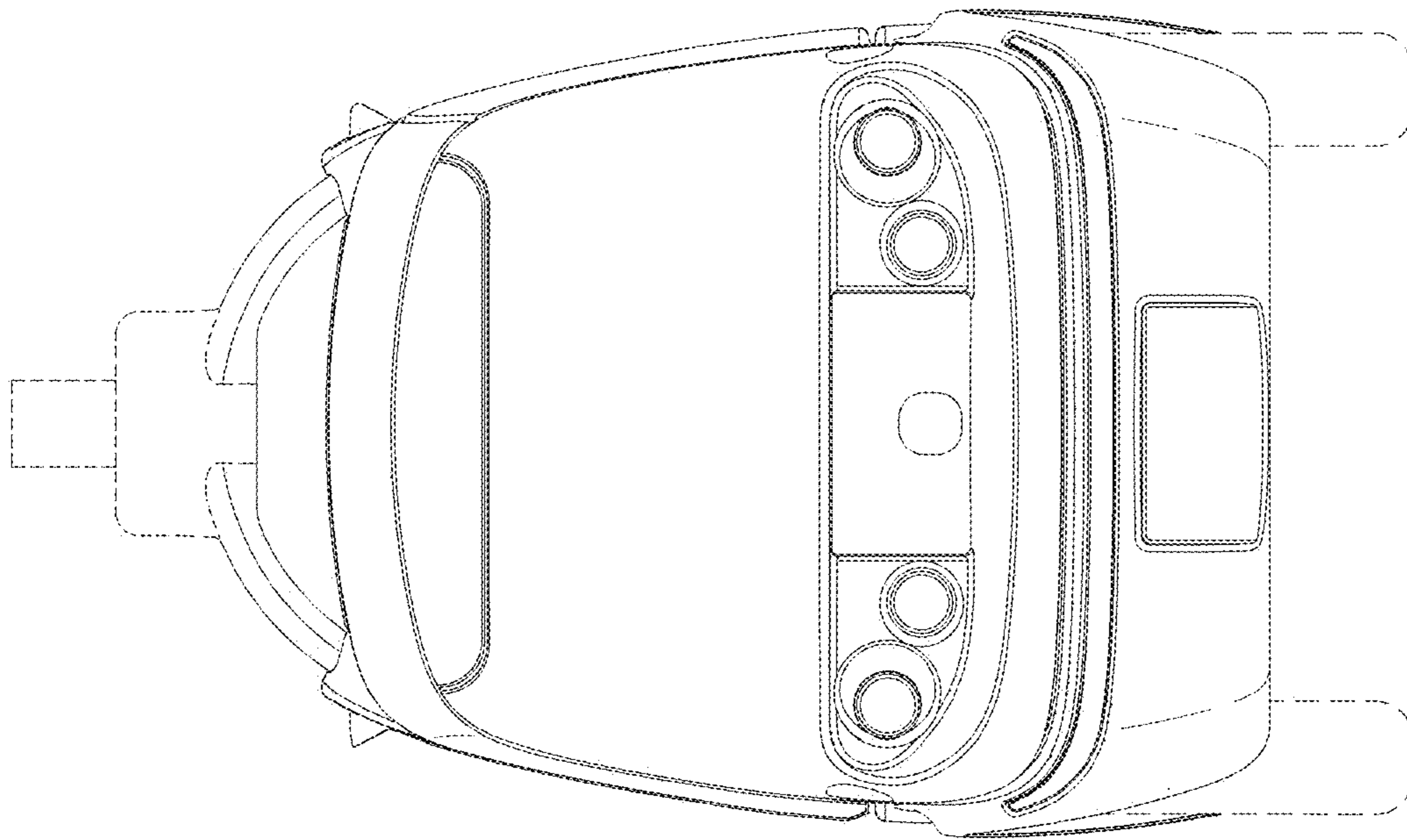


FIG.4

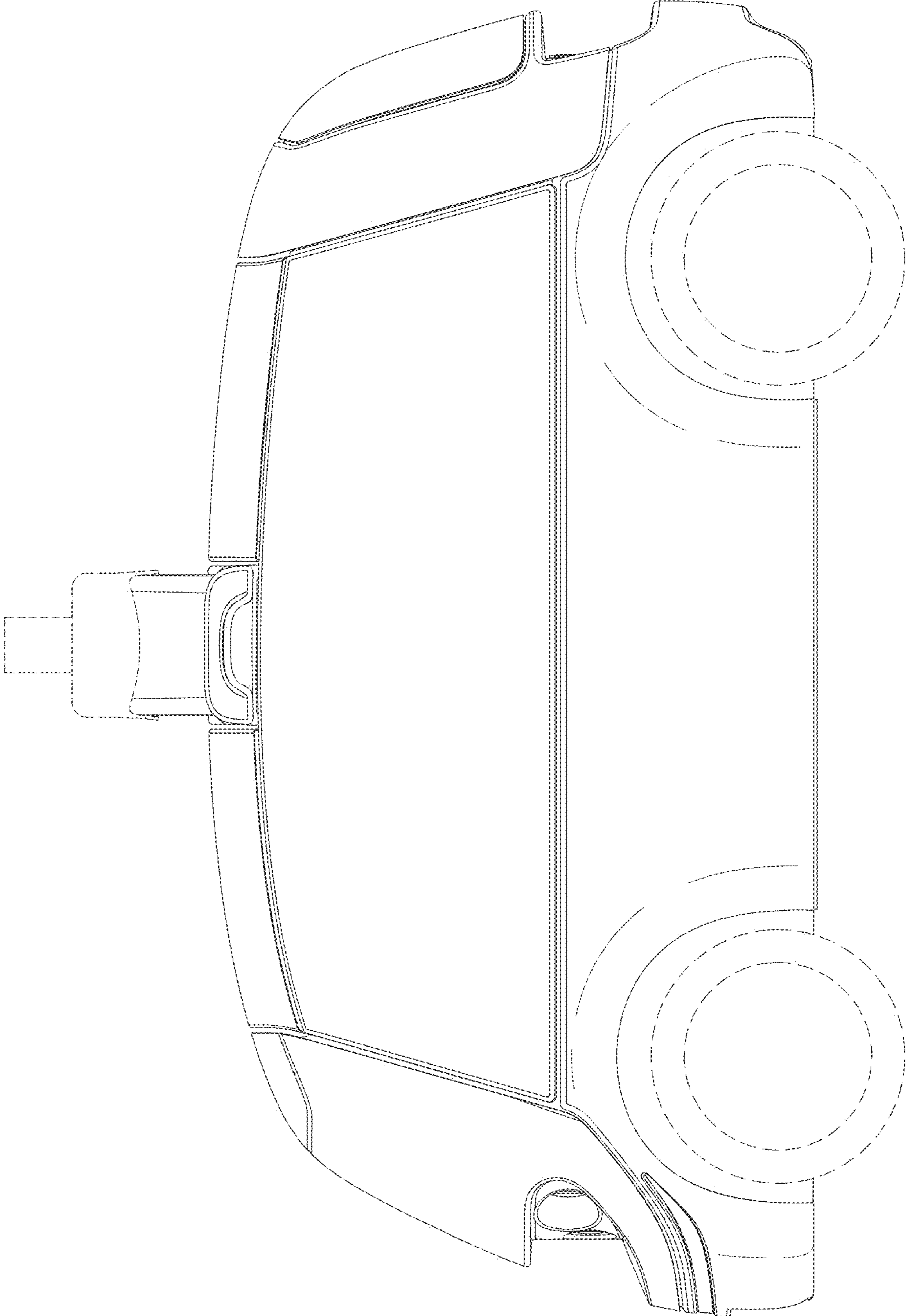


FIG.5

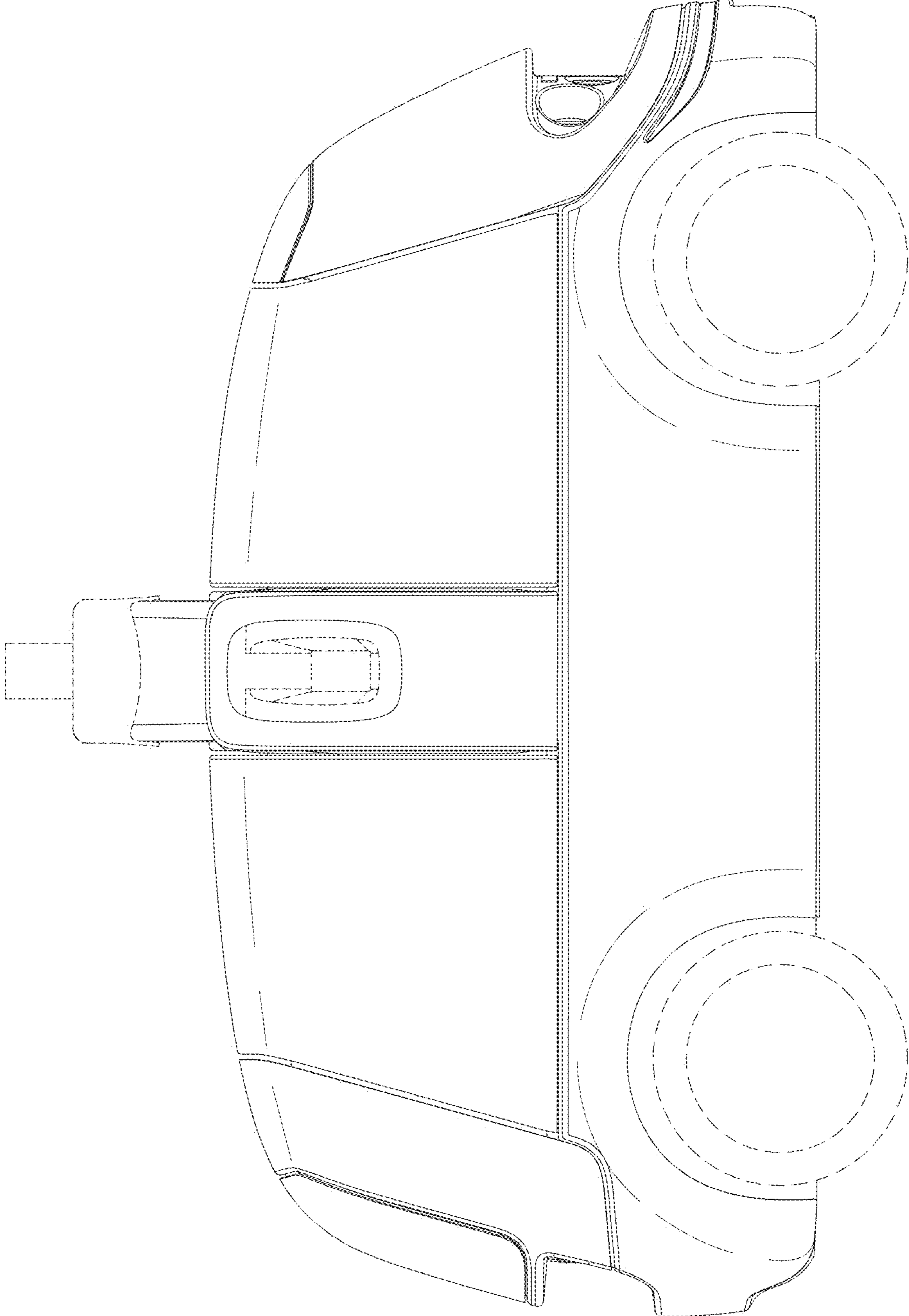


FIG.6

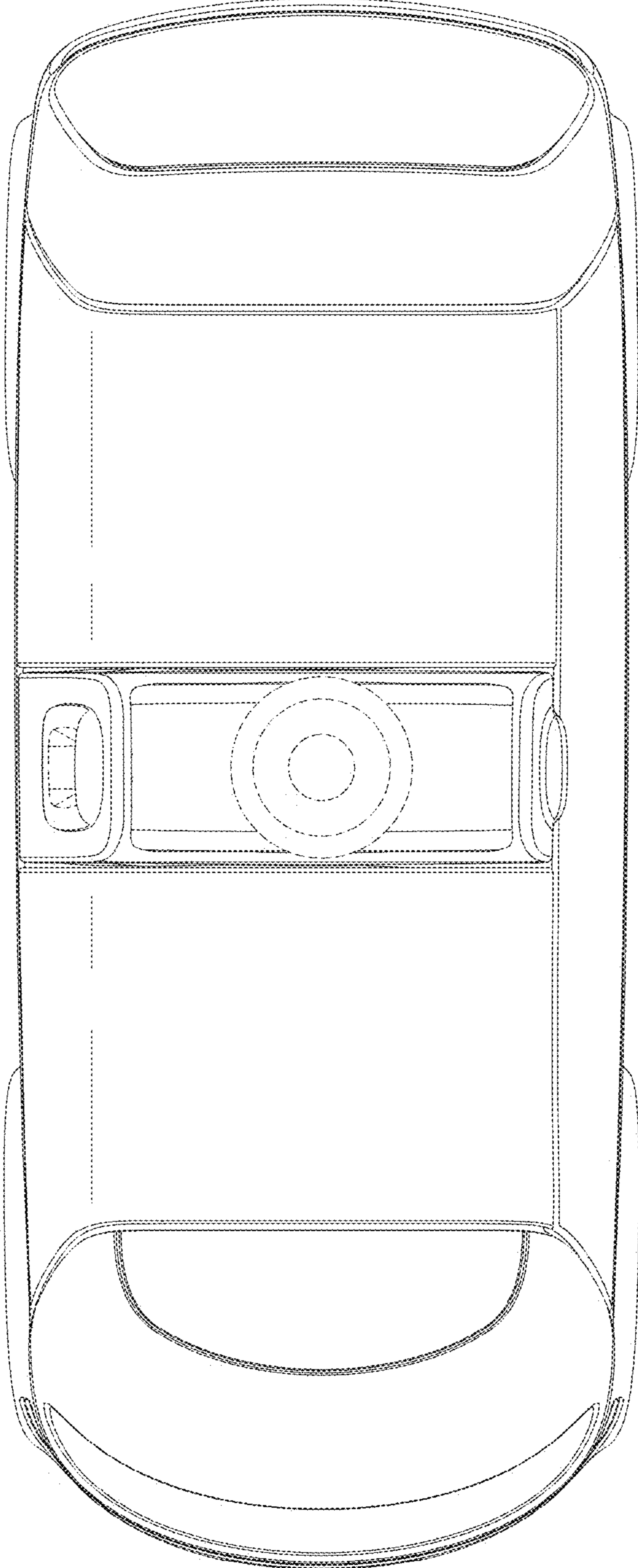


FIG.7

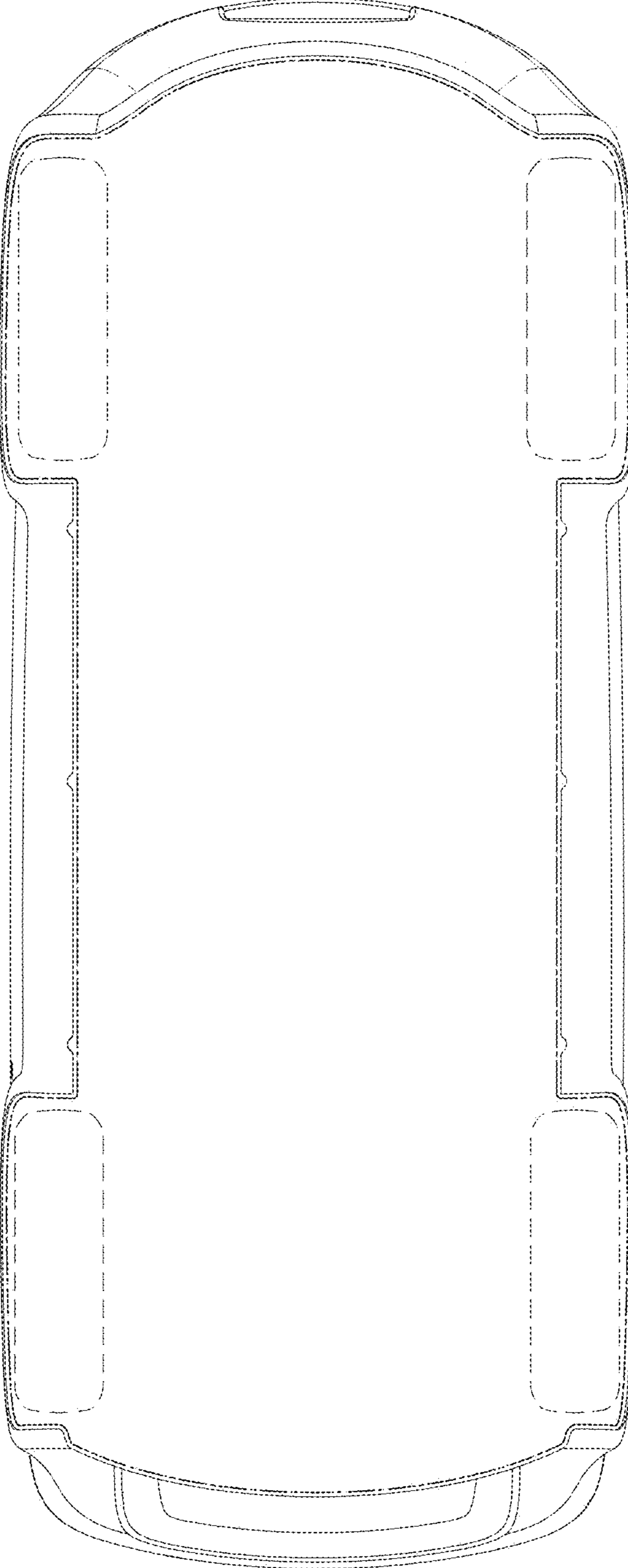


FIG.8

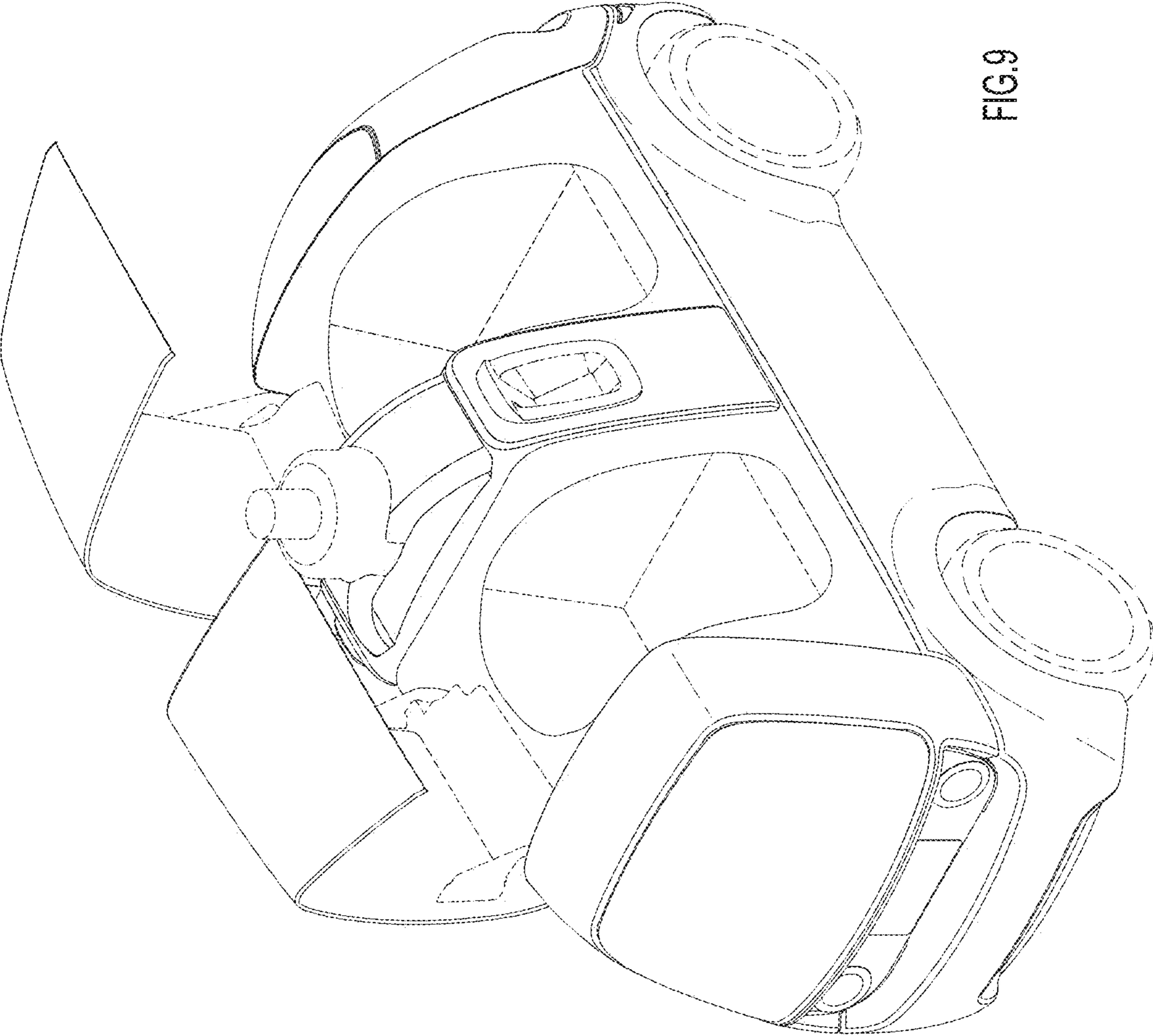


FIG. 9