

US00D935348S

(12) **United States Design Patent** (10) **Patent No.:** **US D935,348 S**
Cheng (45) **Date of Patent:** **** Nov. 9, 2021**

(54) **CUP-SHAPED SNOW GLOBE**
(71) Applicant: **MISAINÉ TRADE, INC.**, Torrance, CA (US)

D718,627 S 12/2014 Rasgon
D820,480 S 6/2018 Kaliroff
2006/0000882 A1 1/2006 Darzinskas
(Continued)

(72) Inventor: **Benjamin Cheng**, Rolling Hills, CA (US)

OTHER PUBLICATIONS

(73) Assignee: **MISAINÉ TRADE, INC.**, Torrance, CA (US)

“Starbucks holiday cups? PC nonsense” (via CNN), available Nov. 13, 2015, [online], [site visited Nov. 25, 2019], <https://www.cnn.com/2015/11/09/opinions/parini-starbucks-holiday-cups/index.html> Year: 2015.

(**) Term: **15 Years**

(Continued)

(21) Appl. No.: **29/736,577**

Primary Examiner — W. A. Teddy Falloway

(22) Filed: **Jun. 1, 2020**

(74) *Attorney, Agent, or Firm* — Knobbe Martens Olson & Bear LLP

Related U.S. Application Data

(63) Continuation-in-part of application No. 29/654,967, filed on Jun. 28, 2018, now abandoned.

(51) **LOC (13) Cl.** **11-02**

(52) **U.S. Cl.**
USPC **D11/157**

(58) **Field of Classification Search**
USPC D11/131, 132, 133, 141, 157, 165, 172, D11/184; D6/300, 303, 563; D20/23, D20/29, 99
See application file for complete search history.

CLAIM

(57) The ornamental design for a cup-shaped snow globe, as shown and described herein.

DESCRIPTION

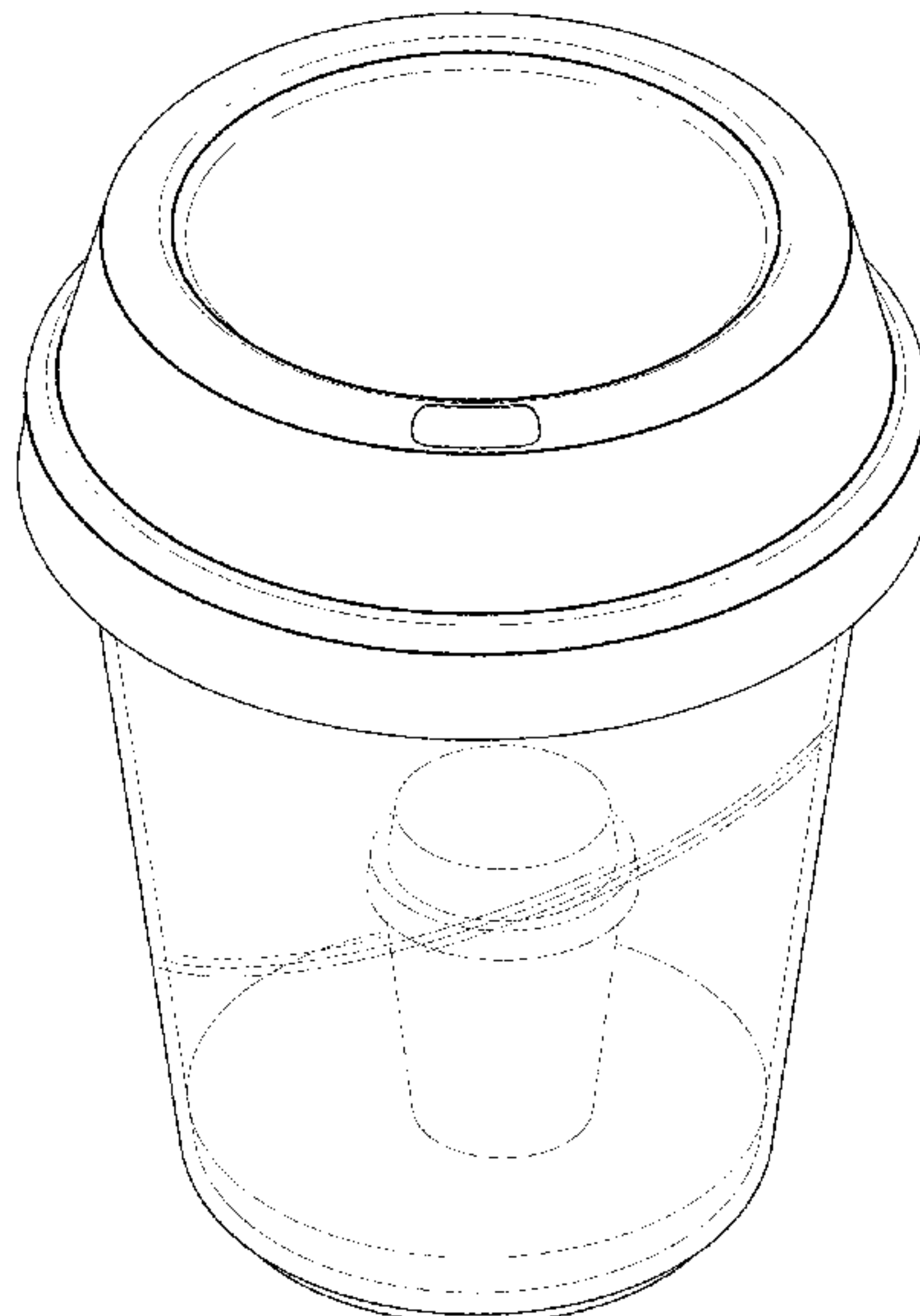
FIG. 1 is a perspective view of a cup-shaped snow globe. FIG. 2 is a front-side view of the cup-shaped snow globe of FIG. 1. FIG. 3 is a rear-side view of the cup-shaped snow globe of FIG. 1. FIG. 4 is a left-side view of the cup-shaped snow globe of FIG. 1. FIG. 5 is a right-side view of the cup-shaped snow globe of FIG. 1. FIG. 6 is a cross-sectional view of the cup-shaped snow globe of FIG. 1, wherein the cross-section is take along line 6-6 in FIGS. 4 & 5. FIG. 7 is a top view of the cup-shaped snow globe of FIG. 1; and, FIG. 8 is a bottom view of the cup-shaped snow globe of FIG. 1. The broken lines disclosing the environment related to the claimed design are for illustrative purposes only, and form no part of the claimed design.

(56) **References Cited**

U.S. PATENT DOCUMENTS

5,291,674 A	3/1994	Torrence
6,042,022 A	3/2000	Rogozinski et al.
6,171,560 B1	1/2001	Pesu et al.
D438,298 S	2/2001	McNutt
7,111,749 B1	9/2006	Akers
D540,979 S	4/2007	Chen
7,357,265 B2	4/2008	Zoller
D590,662 S	4/2009	Cheng
D646,168 S	10/2011	Jansen

1 Claim, 8 Drawing Sheets



(56)

References Cited

U.S. PATENT DOCUMENTS

2007/0023442 A1 2/2007 Auzenne
2007/0154665 A1 7/2007 Cheng
2007/0158352 A1 7/2007 Cheng
2010/0288769 A1 11/2010 Cheng et al.
2010/0321638 A1 12/2010 Schnuckle
2012/0325873 A1 12/2012 Stocco
2014/0295029 A1 10/2014 Chao et al.
2018/0146809 A1 5/2018 Kim

OTHER PUBLICATIONS

Starbucks 2016 Europe Glass To Go Cup Siren Ornament, available 2016, [online], [site visited Nov. 25, 2019], <https://www.ebay.com/itm/123899892768> Year: 2016.

I'm Crazy About Starbucks!!—Part 2 (via Talesofanavywife's Blog), available Jan. 12, 2014, [online], [site visited Nov. 25, 2019], <https://talesofanavywife.wordpress.com/2014/01/12/im-crazy-about-starbucks-part-2/> Year: 2014.

Office Action dated Dec. 2, 2019 U.S. Appl. No. 29/654,967, filed Jun. 28, 2018.

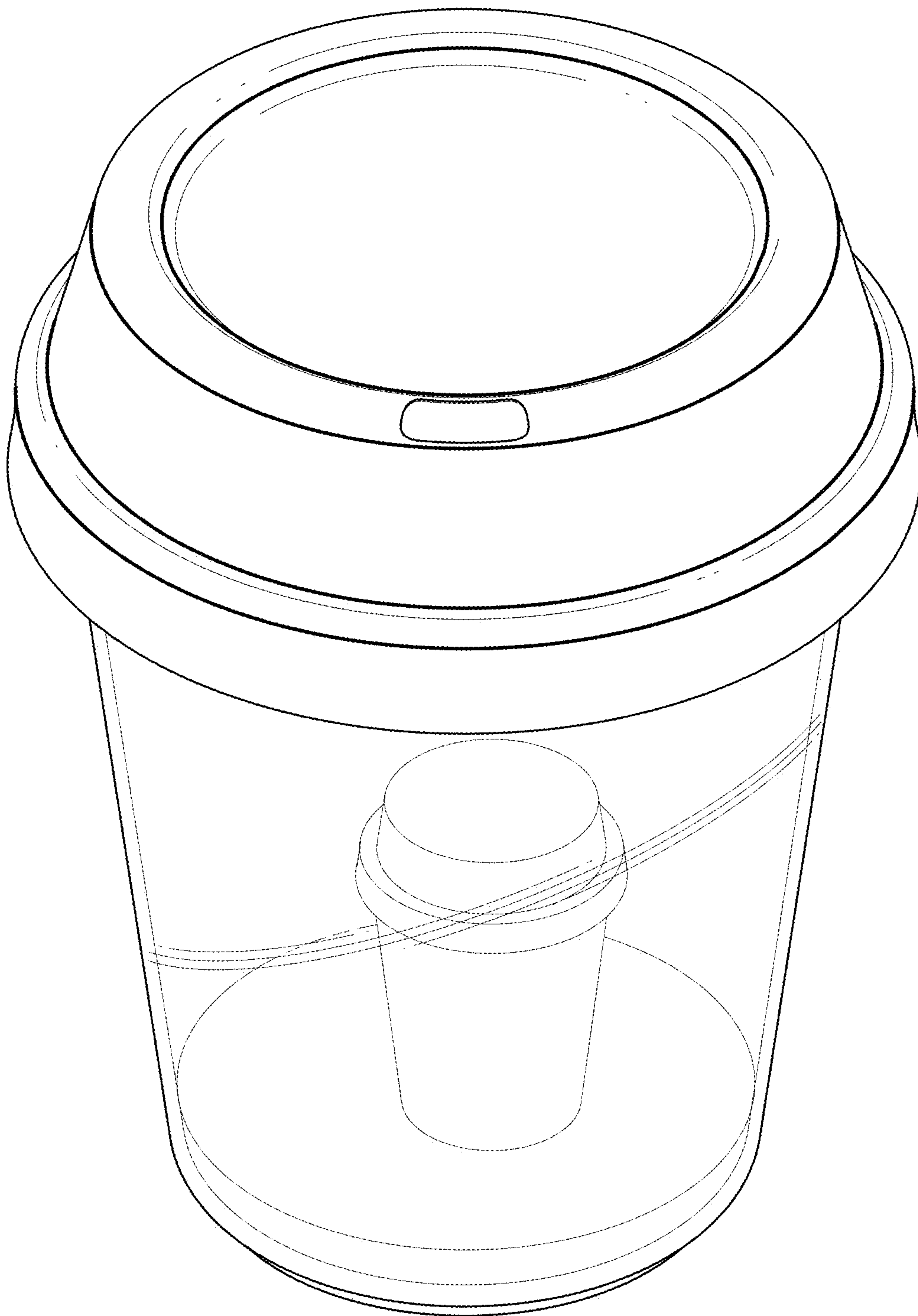


FIG. 1

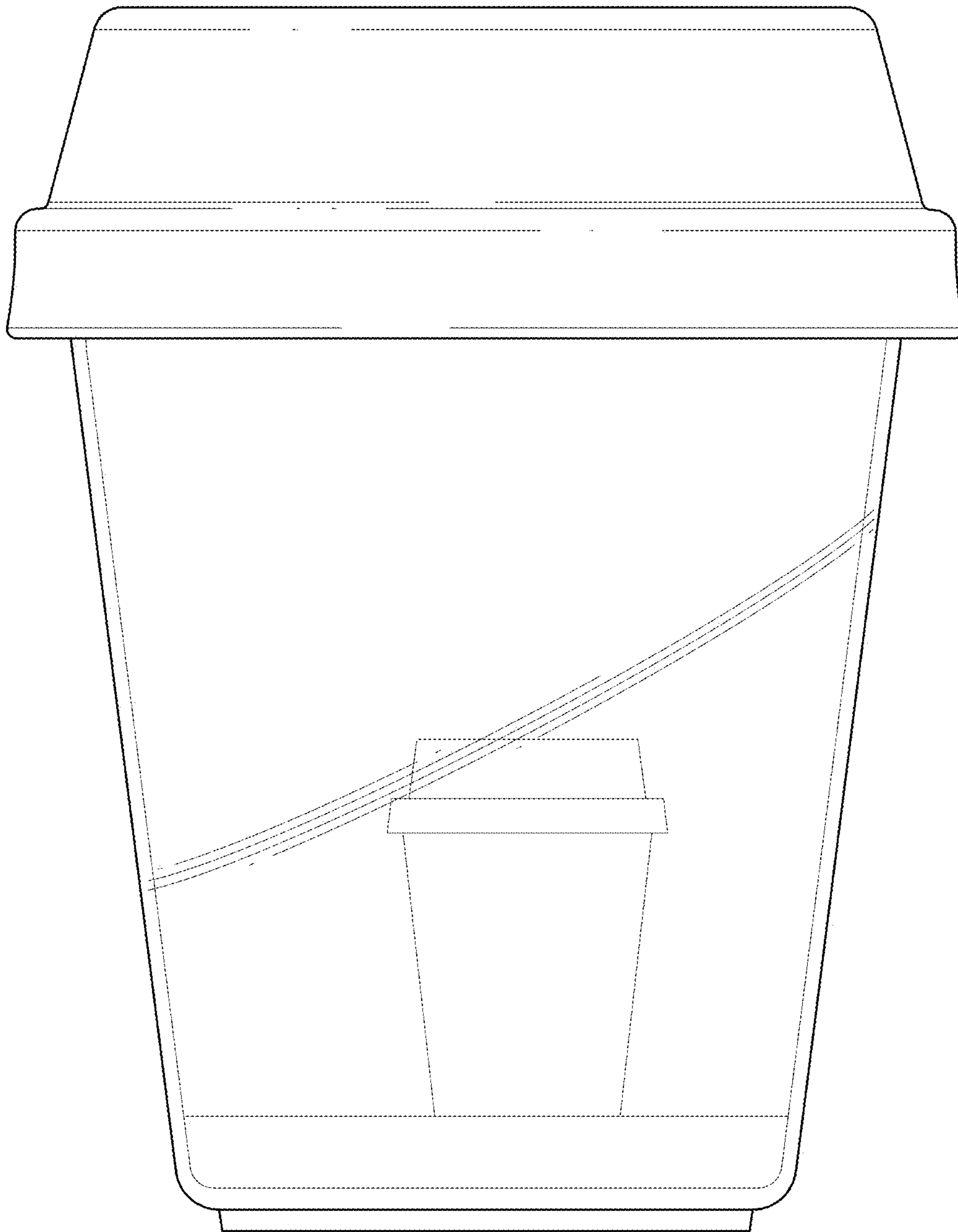


FIG. 2

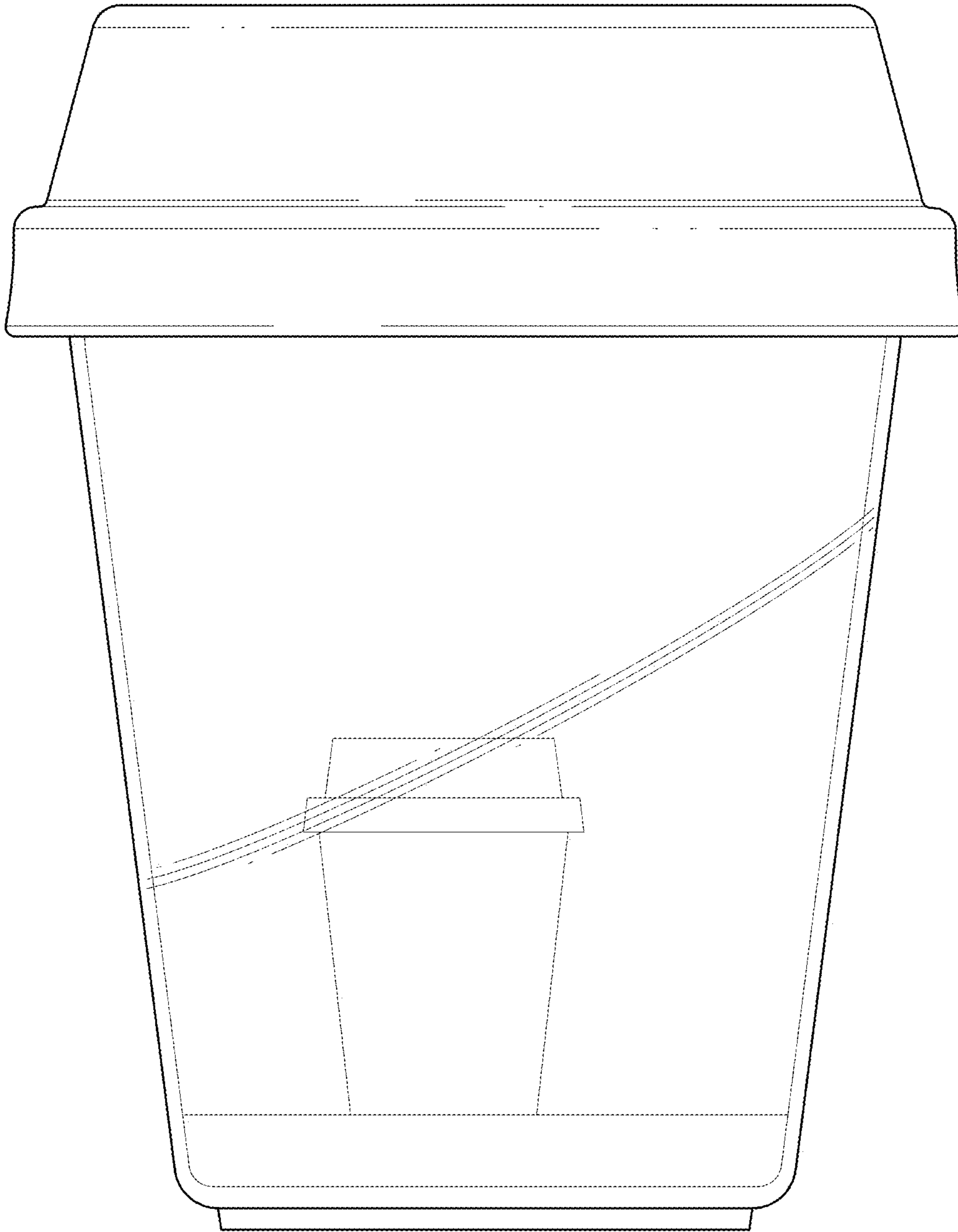
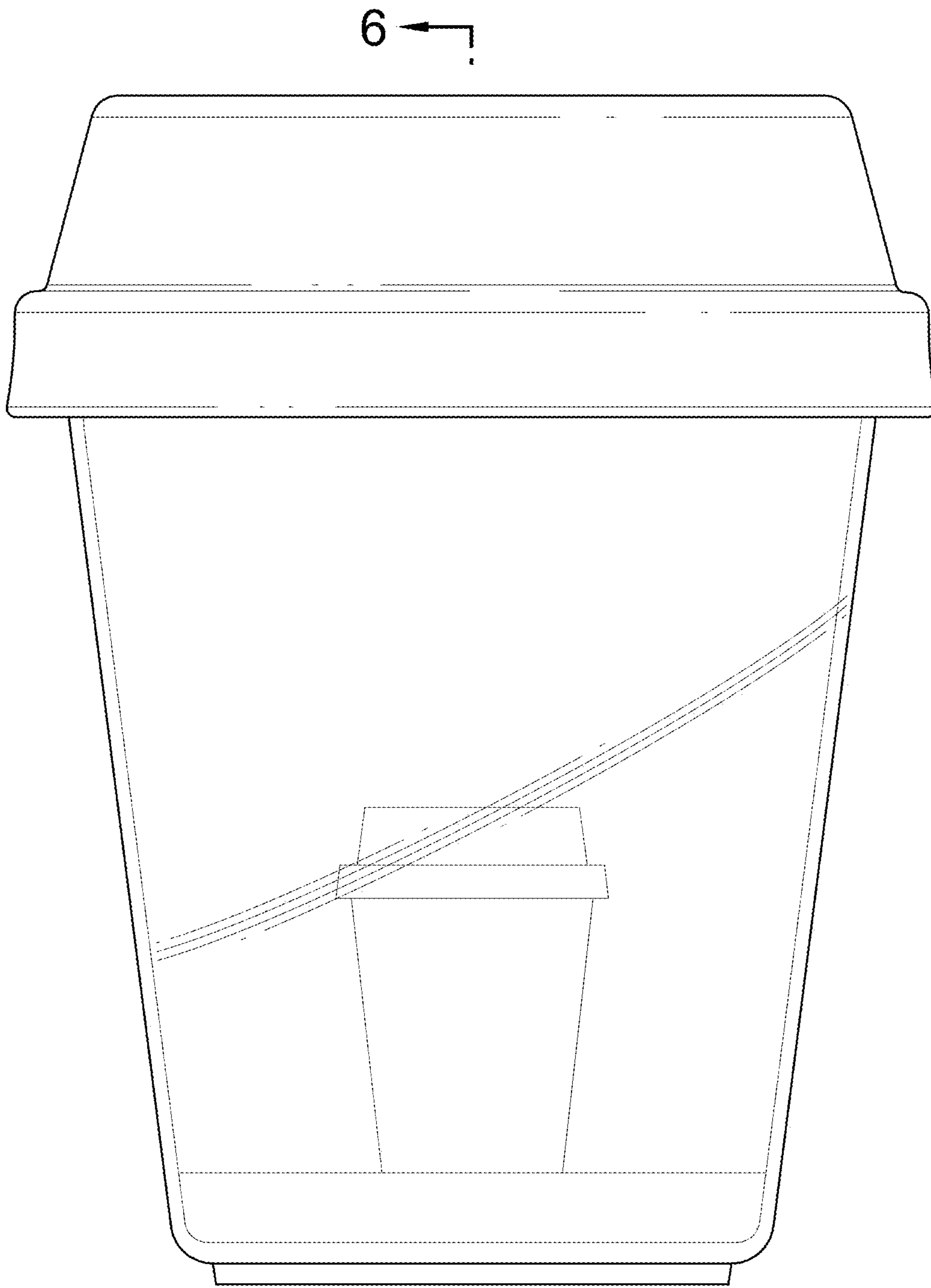
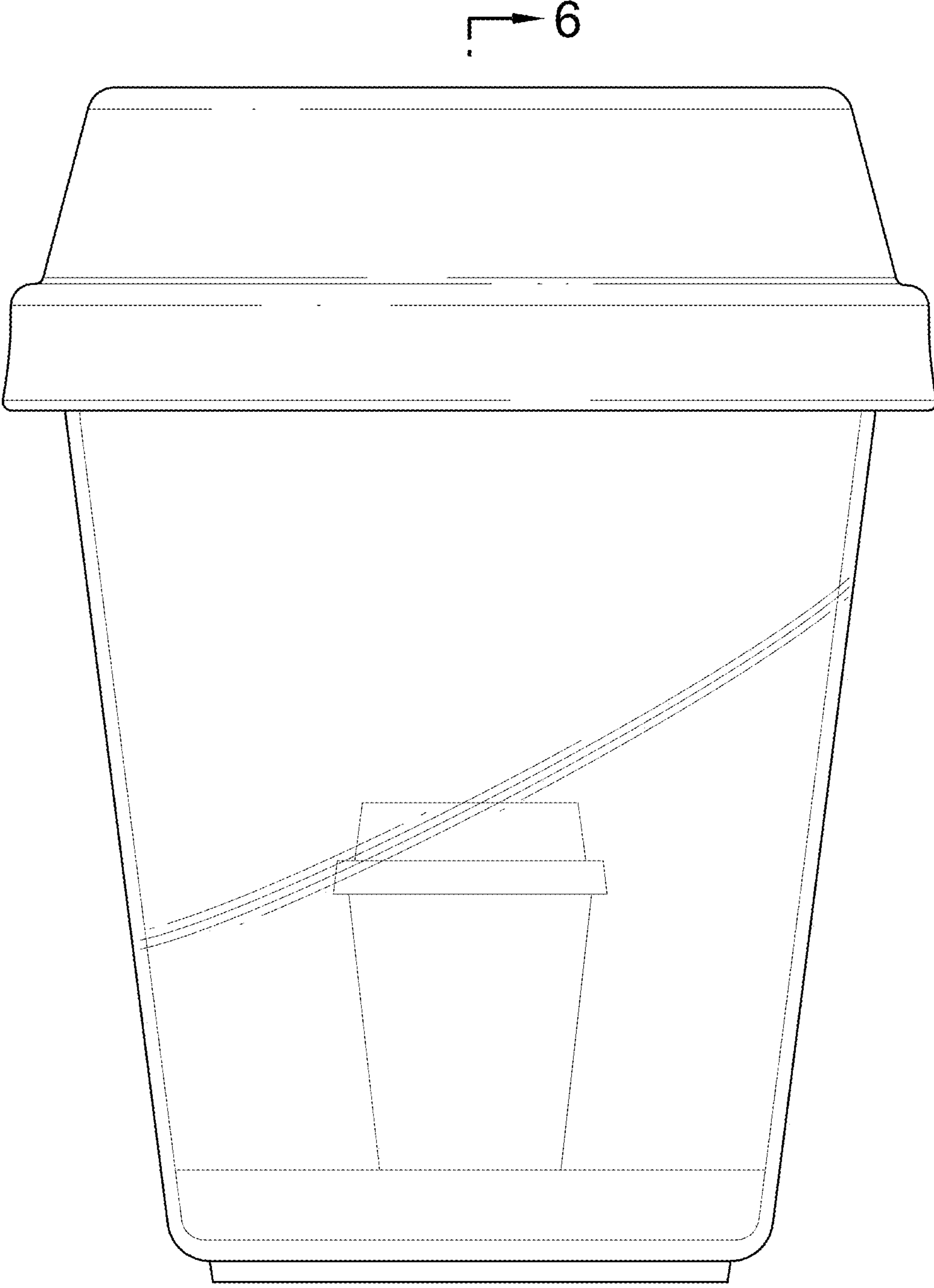


FIG. 3



6 ←
FIG. 4



6
FIG. 5

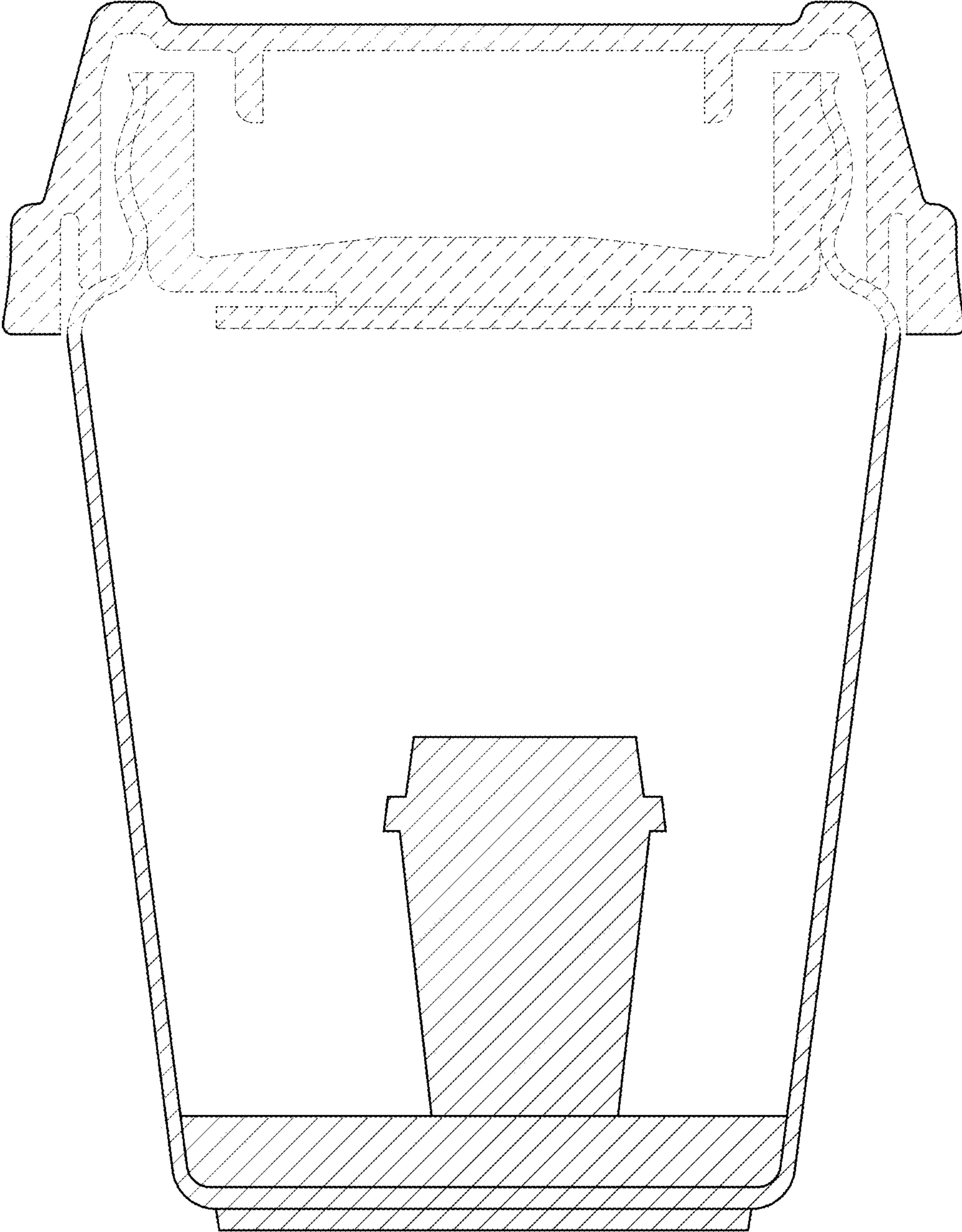


FIG. 6

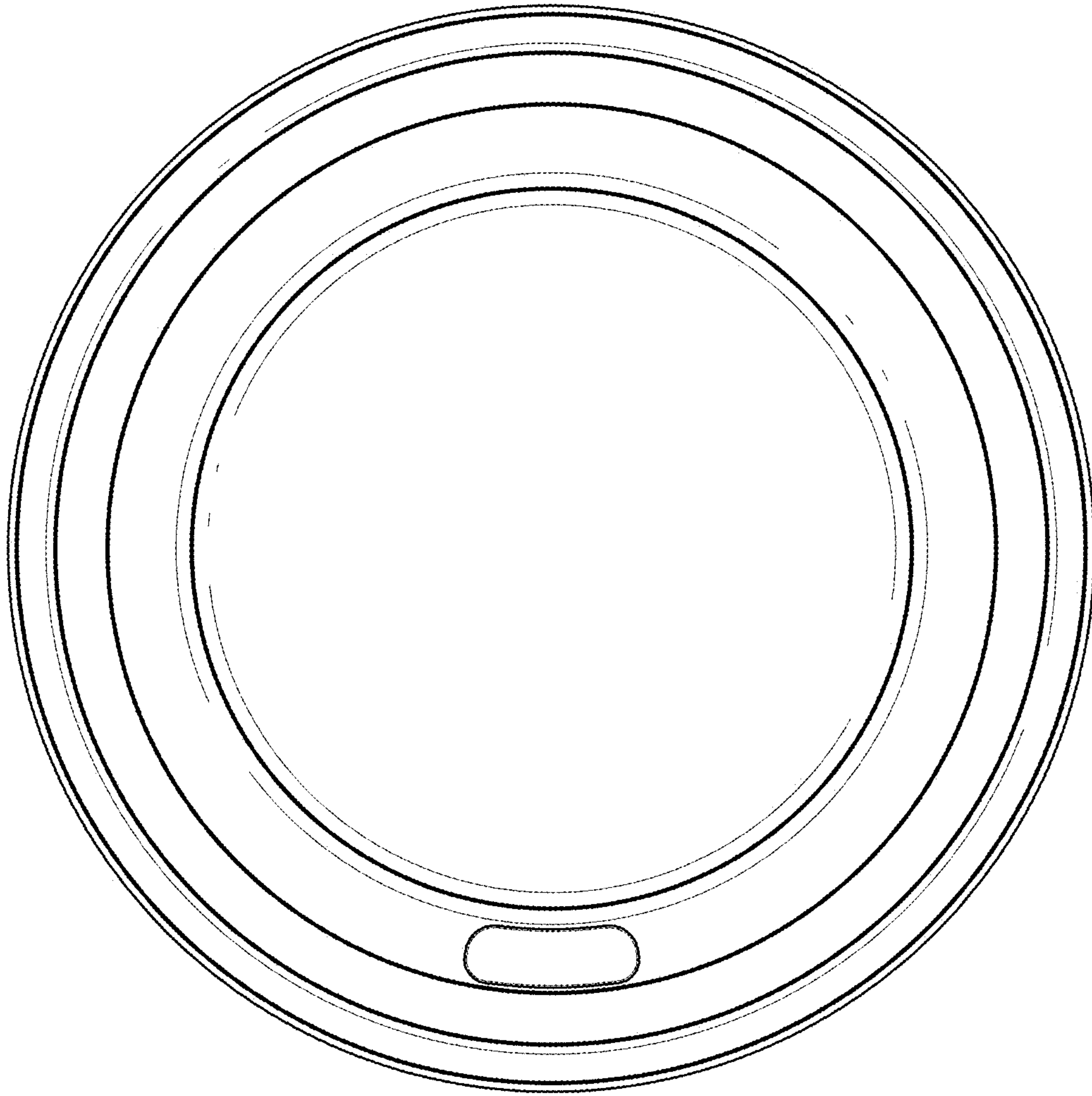


FIG. 7

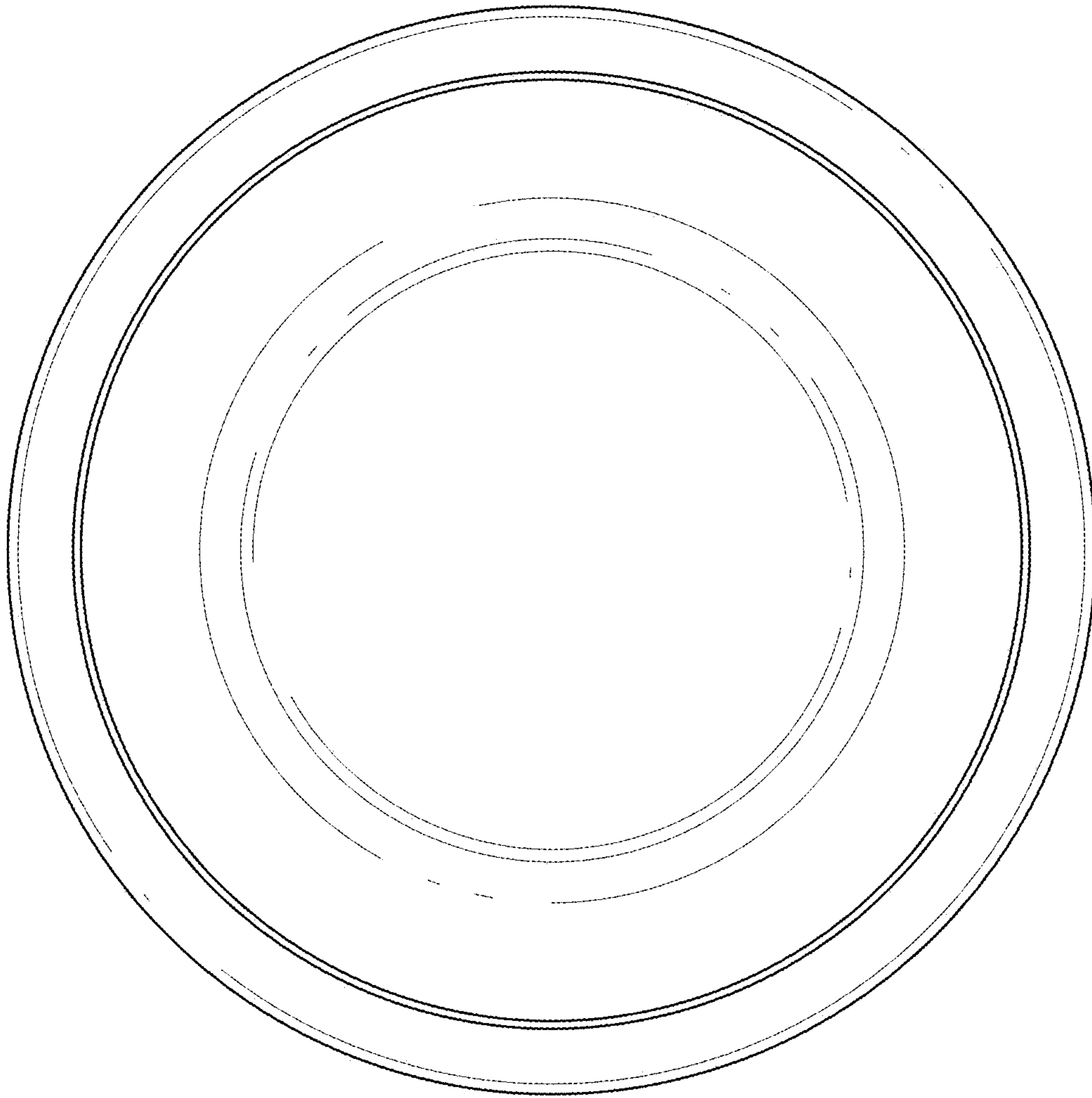


FIG. 8