



US00D935347S

(12) **United States Design Patent**  
**Huang**

(10) **Patent No.:** **US D935,347 S**

(45) **Date of Patent:** **\*\* Nov. 9, 2021**

(54) **PLANT STAND**

(71) Applicant: **Liqing Huang**, Xianyou (CN)

(72) Inventor: **Liqing Huang**, Xianyou (CN)

(\*\*) Term: **15 Years**

(21) Appl. No.: **29/755,153**

(22) Filed: **Oct. 19, 2020**

(51) **LOC (13) Cl.** ..... **11-02**

(52) **U.S. Cl.**

USPC ..... **D11/146**; D6/403

(58) **Field of Classification Search**

USPC ..... D6/403, 404, 405, 556, 557, 558;

D11/117, 121, 130, 131, 143, 144, 145,

D11/146, 147, 152, 164; D8/1

CPC . A47G 33/00; A47G 7/00; A47G 7/02; A47G

7/03; A47G 7/06; A47G 7/08; A47G

7/006; A47G 7/025; A47G 7/04; A47G

7/041; B44C 5/06; A41G 1/00; A41G

1/02; A41G 1/04; A01G 9/00; A01G

9/02; A01G 9/021; A01G 9/022; A01G

9/027; A01G 9/028; A01G 9/029; A01G

9/085; A01G 9/12; A01G 9/126; A01G

9/128; A01G 31/02; A01G 31/06; A01G

5/00; A01G 5/02; A01G 5/04; A01G 5/06

See application file for complete search history.

(56) **References Cited**

**U.S. PATENT DOCUMENTS**

760,879 A \* 5/1904 Kunzman ..... A01G 9/12  
47/47

D42,804 S \* 7/1912 Hotchkiss ..... D6/672

1,112,558 A \* 10/1914 Red ..... 248/129

D71,575 S \* 12/1926 Cartwright ..... D6/403

1,693,393 A \* 11/1928 Lapolla ..... A01G 9/122  
47/47

D87,162 S \* 6/1932 Malik ..... D6/403

2,009,867 A \* 7/1935 Ball ..... A01G 9/12  
47/44

2,258,442 A \* 10/1941 Brenner ..... A01G 5/04  
428/27

D161,749 S \* 1/1951 Griner ..... D11/147

2,591,349 A \* 4/1952 Goebel ..... B44D 3/123  
211/60.1

D357,886 S \* 5/1995 Fuller ..... D11/152

5,423,148 A \* 6/1995 Thornhill ..... A01G 9/12  
47/29.1

D359,929 S \* 7/1995 Thornhill ..... 47/29.1

(Continued)

**OTHER PUBLICATIONS**

2 Pcs Round Metal Plant Caddy, Rolling Flower Pot Planter Rack Holder Tray Stand Trolley on Roller/Wheels Indoor Outdoor Home Garden Patio, <https://www.walmart.com/ip/2-Pcs-Round-Metal-Plant-Caddy-Rolling-Flower-Pot-Planter-Rack-Holder-Tray-Stand-Trolley-on-Roller-Wheels-Indoor-Outdoor-Home> Apr. 6, 2020 (Year: 2020).\*

(Continued)

*Primary Examiner* — Elizabeth J Oswecki

(74) *Attorney, Agent, or Firm* — Rumit Ranjit Kanakia

(57) **CLAIM**

The ornamental design for a plant stand, as shown and described.

**DESCRIPTION**

FIG. 1 is a Perspective view of a plant stand showing my new design;

FIG. 2 is a Front view thereof;

FIG. 3 is a Back view thereof;

FIG. 4 is a Right-side view thereof;

FIG. 5 is a Left-side view thereof;

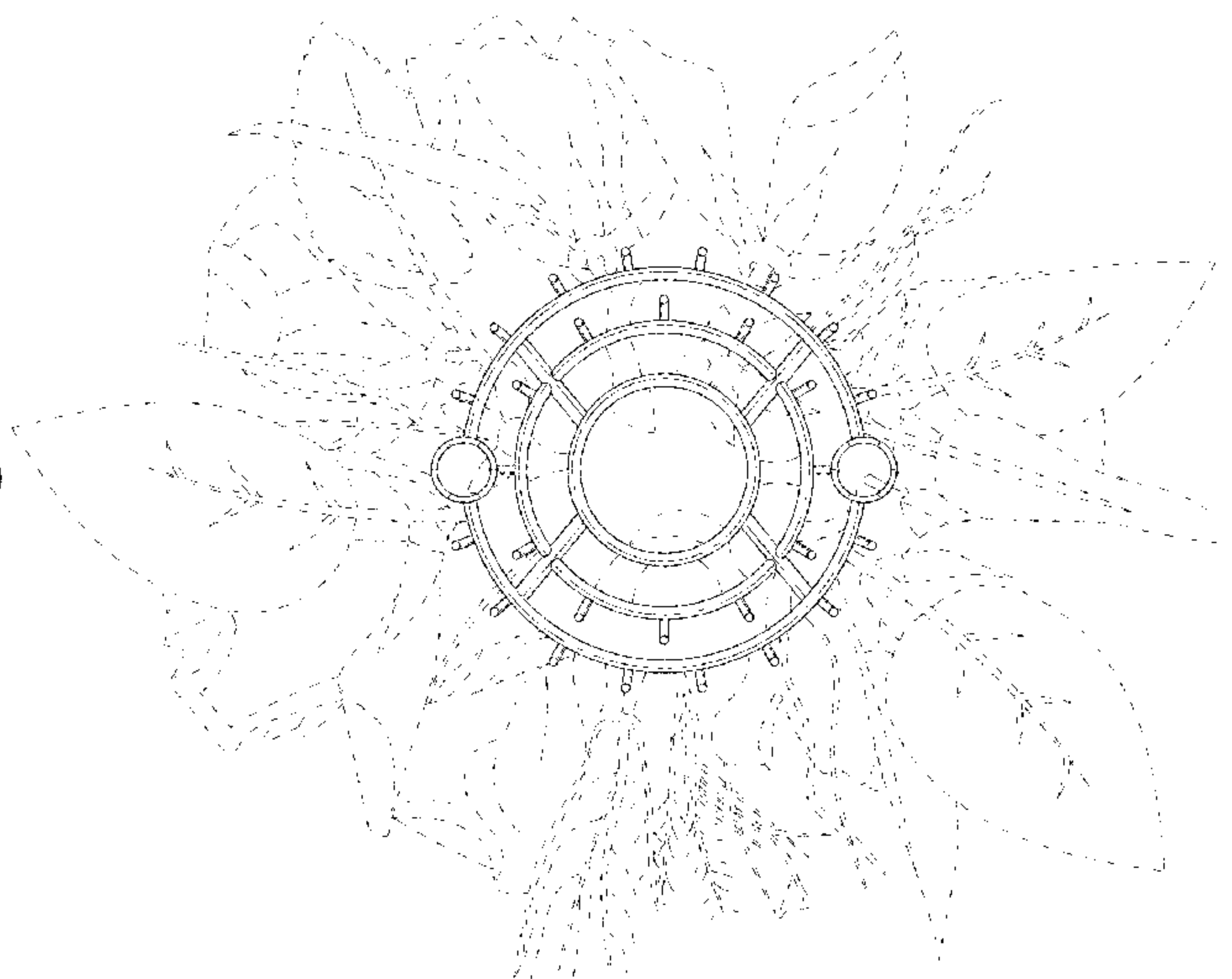
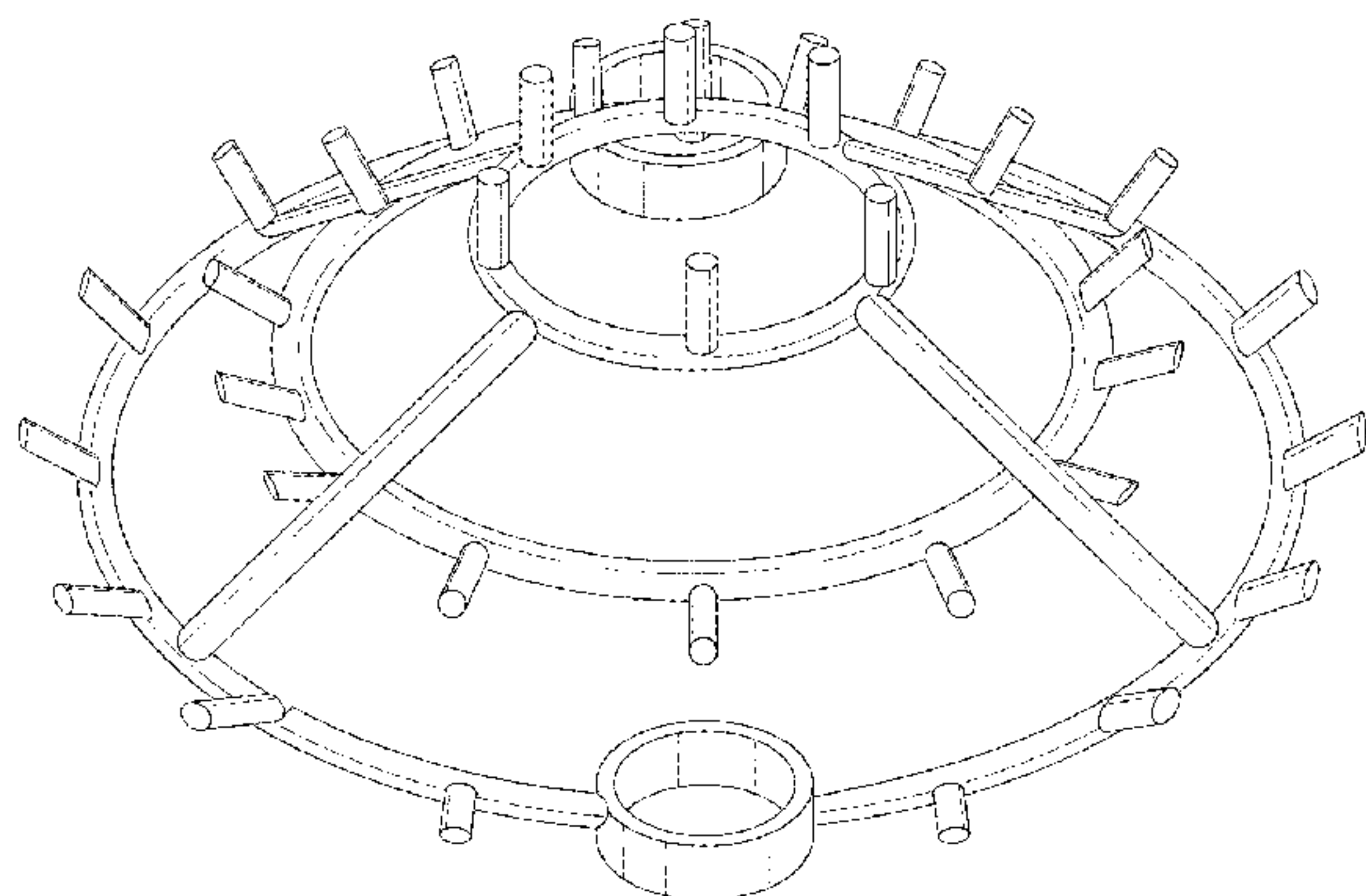
FIG. 6 is a Top view thereof;

FIG. 7 is a Bottom view thereof; and,

FIG. 8 is another bottom view thereof, shown in a used condition with a plant shown in broken lines.

The broken lines are for the purpose of illustrating an environment that form no part of the claim.

**1 Claim, 6 Drawing Sheets**



(56)

**References Cited**

U.S. PATENT DOCUMENTS

D378,287 S \* 3/1997 Alligood ..... D11/143  
 D426,399 S \* 6/2000 Yi ..... D6/405  
 D490,746 S 6/2004 Broel  
 D502,889 S \* 3/2005 Broel ..... D11/143  
 7,310,909 B2 \* 12/2007 Broel ..... A47G 7/02  
 248/27.8  
 D574,626 S 8/2008 Broel  
 D574,627 S \* 8/2008 Broel ..... D6/405  
 D580,679 S 11/2008 Broel  
 D604,528 S \* 11/2009 Hiatt ..... D6/405  
 D615,375 S \* 5/2010 Haddock ..... D8/1  
 7,774,977 B2 \* 8/2010 Miller ..... A01G 9/12  
 47/45  
 D624,330 S \* 9/2010 Wing ..... D6/405  
 7,874,100 B2 \* 1/2011 Miller ..... A01G 9/12  
 47/46  
 D660,197 S 5/2012 Corey

8,429,850 B2 \* 4/2013 van Zijl ..... A01G 31/02  
 47/62 R  
 D694,854 S \* 12/2013 Gentry ..... D23/214  
 D729,378 S \* 5/2015 Autrey ..... D23/398  
 D864,785 S 10/2019 Wimbush  
 D893,345 S \* 8/2020 Mueller ..... D11/146  
 D910,483 S \* 2/2021 Liner ..... D11/146  
 2012/0023818 A1 \* 2/2012 Rasmussen ..... A01G 9/12  
 47/45

OTHER PUBLICATIONS

2 Pcs Round Metal Plant Caddy, Rolling Flower Pot Planter Rack Holder Tray Stand Trolley on Roller/Wheels Indoor Outdoor Home Garden Patio,<https://www.walmart.com/ip/2-Pcs-Round-Metal-Plant-Caddy-Rolling-Flower-Pot-Planter-Rack-Holder-Tray-Stand-Trolley-on-Roller-Wheels-Indoor-Outdoor>, Apr. 6, 2020 (Year: 2020).\*

\* cited by examiner

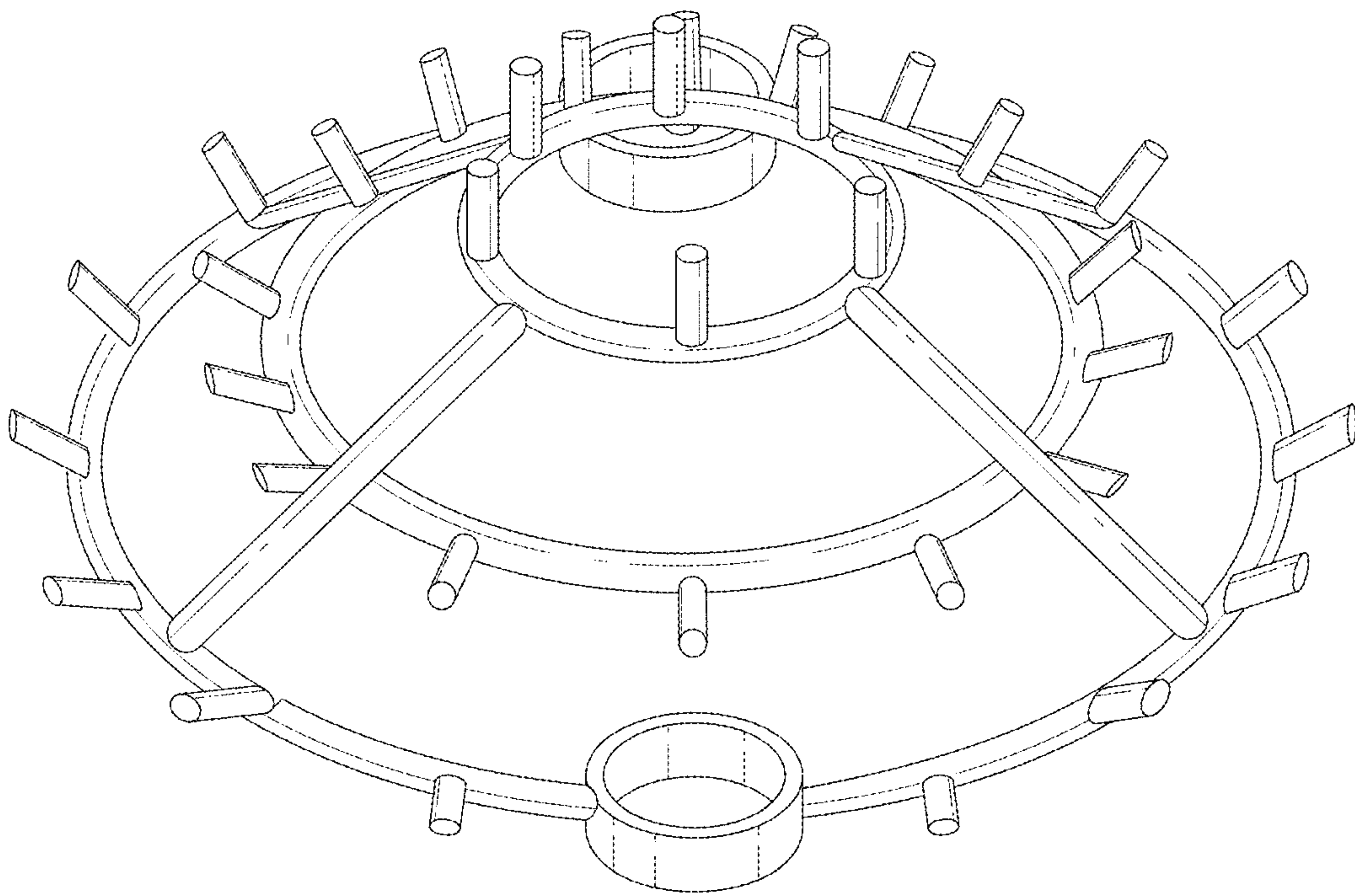


FIG. 1

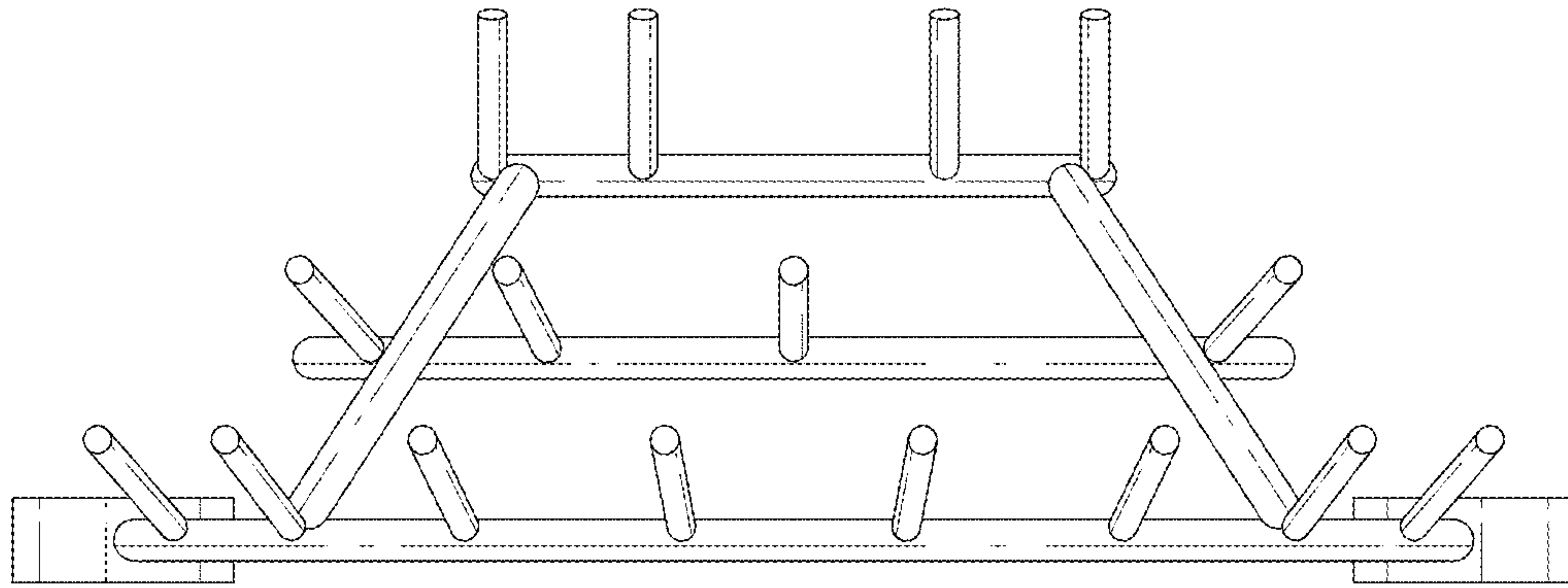


FIG. 2

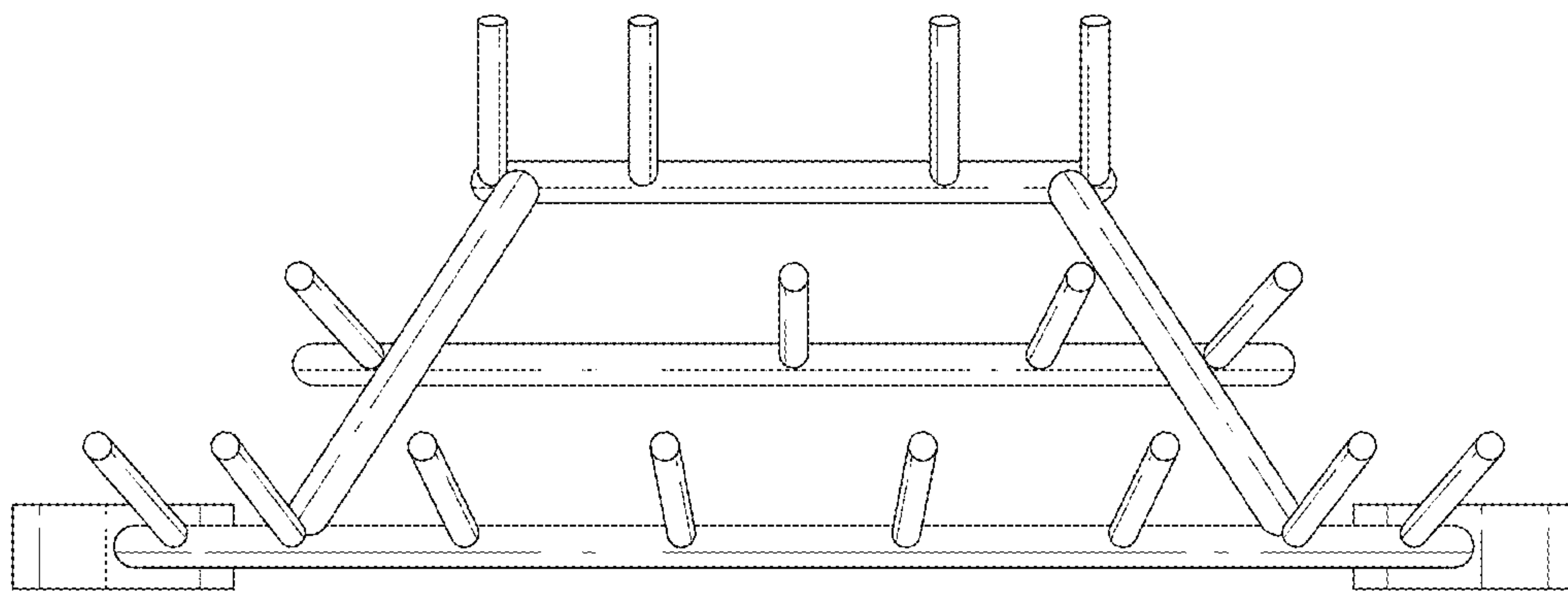


FIG. 3



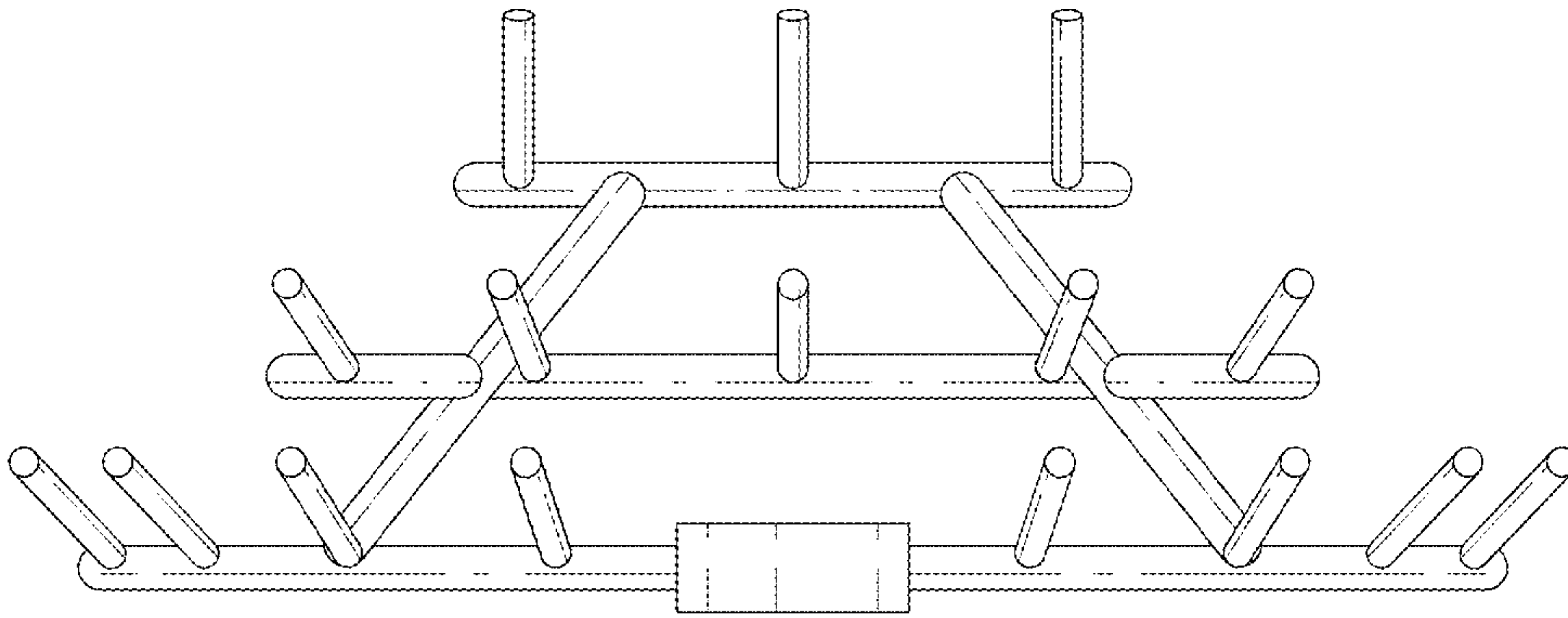


FIG. 4

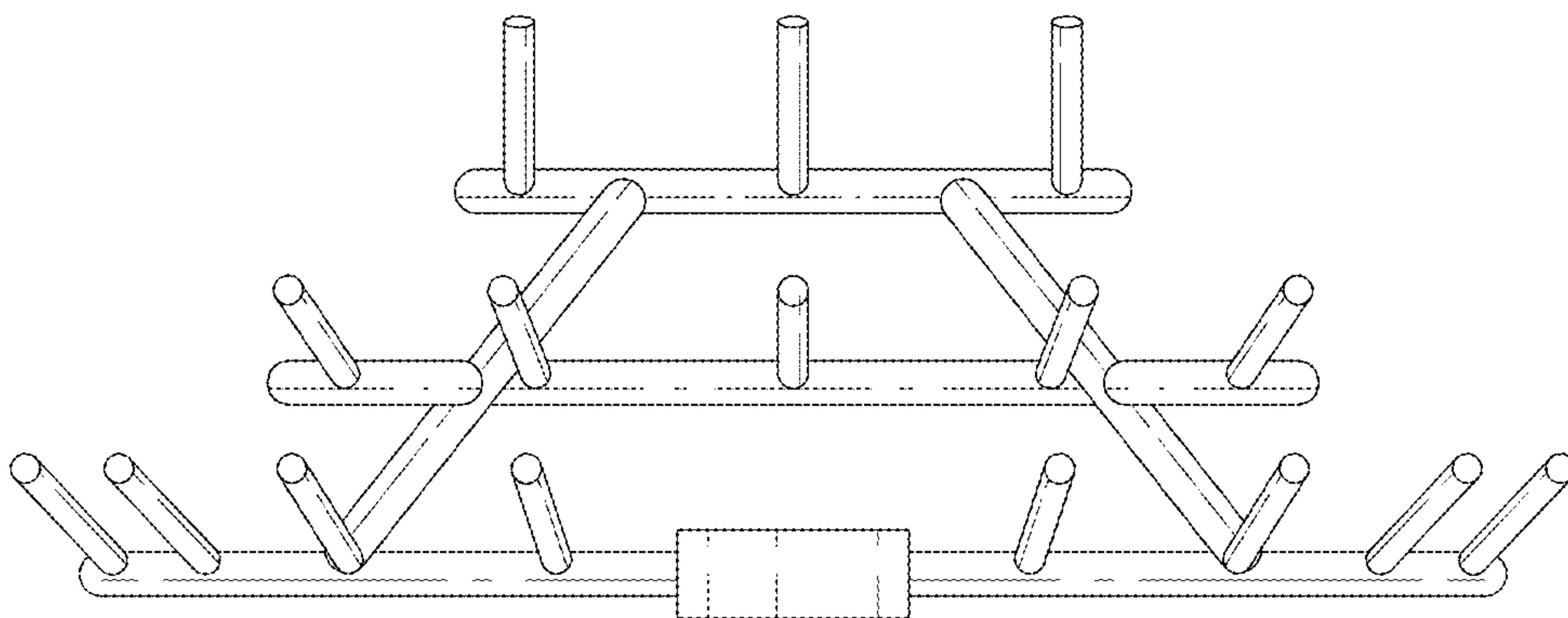


FIG. 5

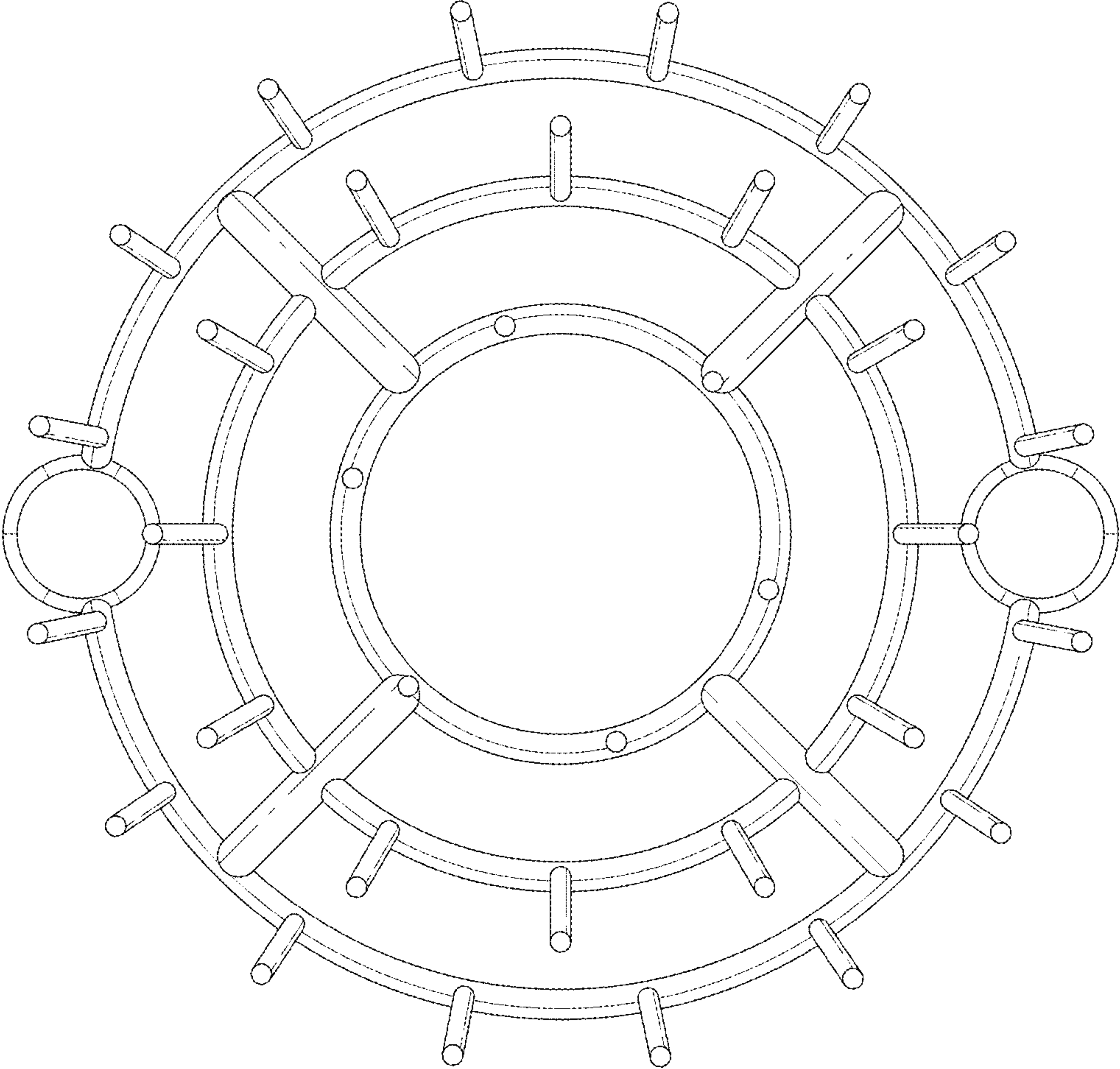


FIG. 6

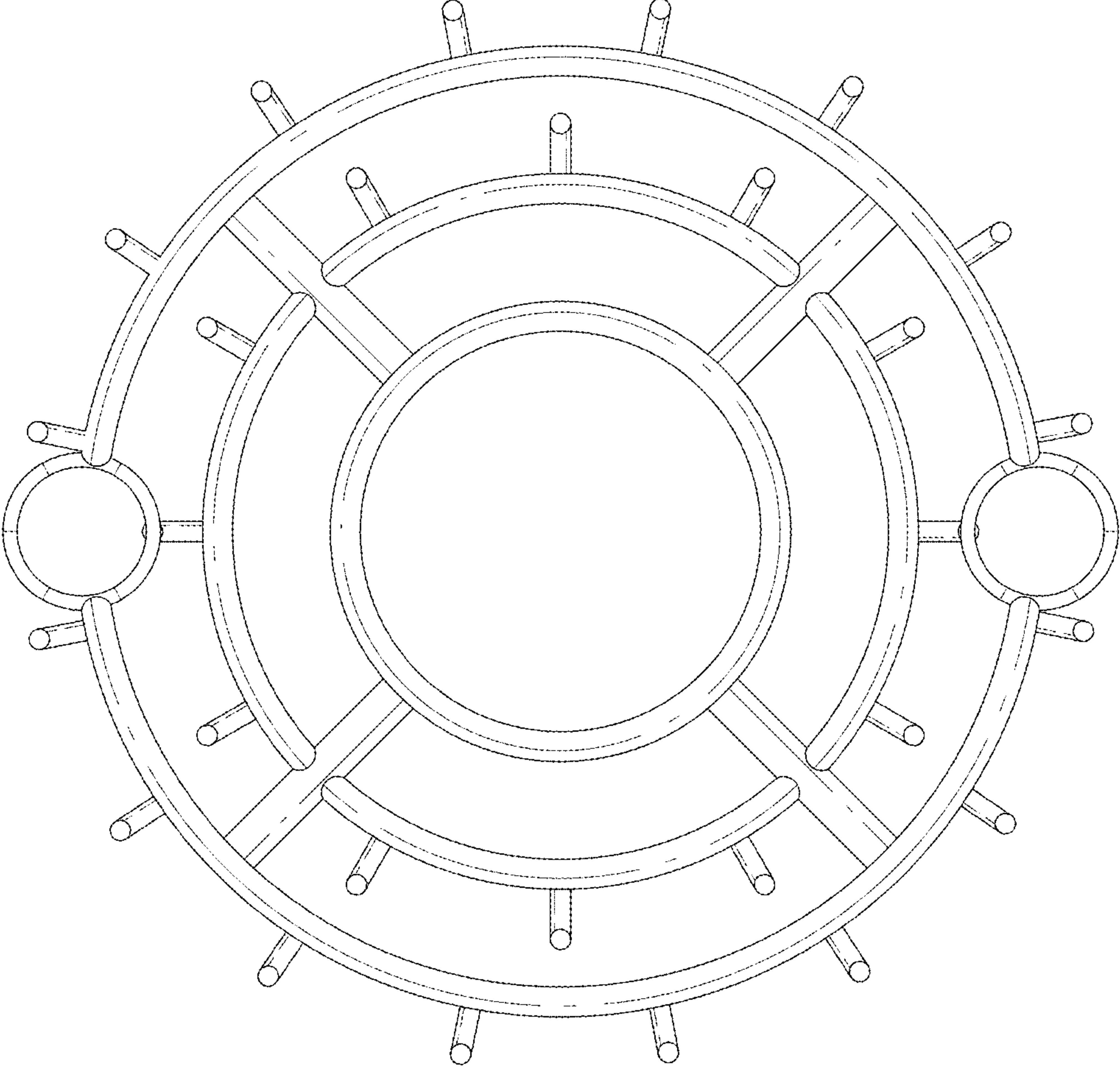


FIG. 7

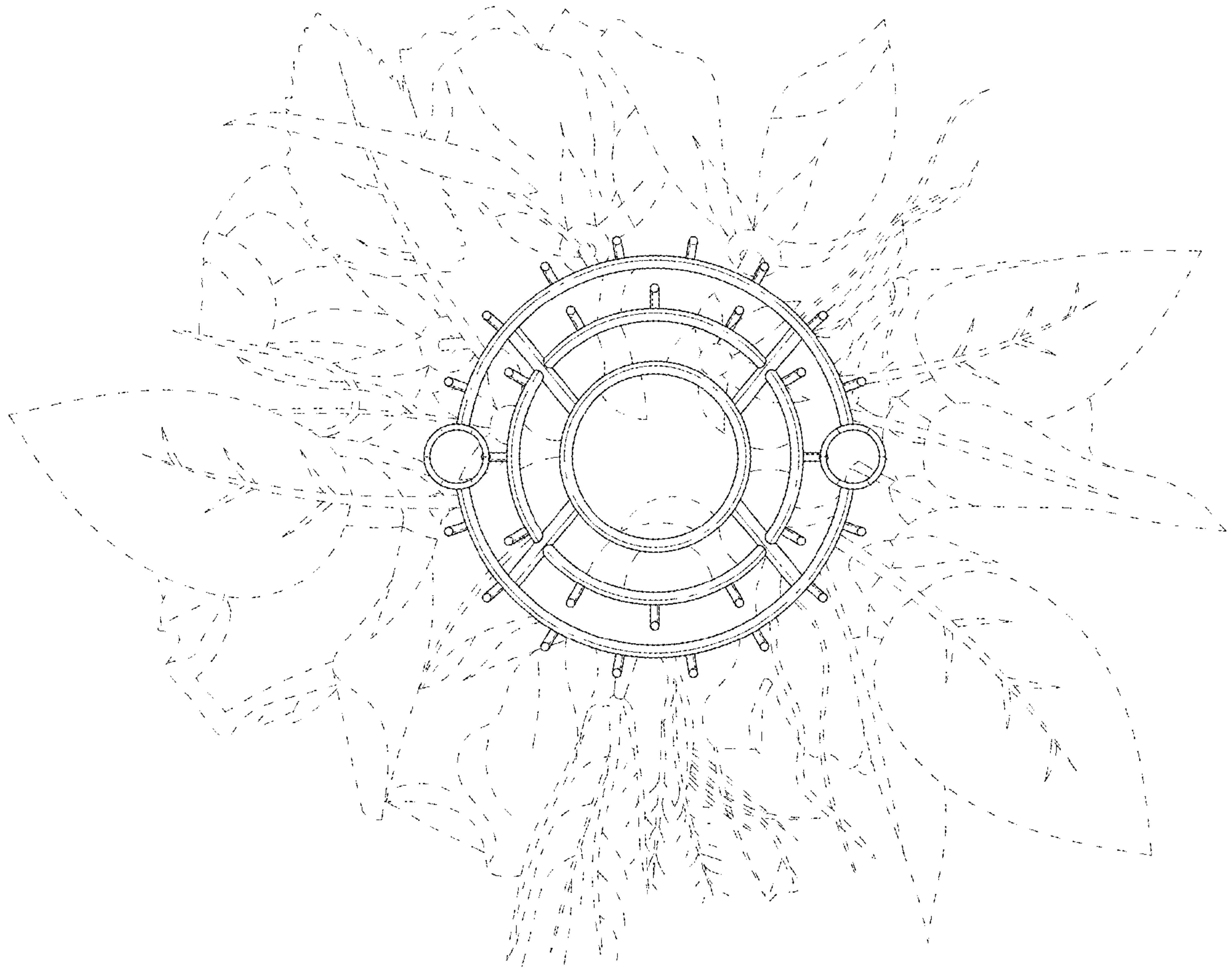


FIG. 8