



US00D935345S

(12) **United States Design Patent** (10) **Patent No.:** **US D935,345 S**
Li (45) **Date of Patent:** **** Nov. 9, 2021**

(54) **LOCK PENDANT**
(71) Applicant: **YIWU CITY SENLONG JEWELRY CO., LTD**, Jinhua (CN)
(72) Inventor: **Xiaoyu Li**, Jixi (CN)
(**) Term: **15 Years**
(21) Appl. No.: **29/751,430**
(22) Filed: **Sep. 21, 2020**
(51) **LOC (13) Cl.** **11-01**
(52) **U.S. Cl.**
USPC **D11/81**
(58) **Field of Classification Search**
USPC D11/1, 2, 7, 8, 40-49, 79-86, 95, 96, 50,
D11/99, 100; D24/195, 208; D3/211;
D9/643; D8/334, 330, 333, 331, 335
CPC .. A44C 1/00; A44C 3/00; A44C 3/001; A44C
3/002; A44C 3/004; A44C 3/005; A44C
3/008; A44C 15/005; A44C 25/00; A44C
25/001; A44C 25/002; A44C 25/007
See application file for complete search history.

(56) **References Cited**
U.S. PATENT DOCUMENTS
60,522 A * 12/1866 Jahne E05B 67/00
70/20
652,249 A * 6/1900 Crossman E05B 67/00
70/20
D92,829 S * 7/1934 Stone D8/334
D137,028 S * 1/1944 Papkin D8/334
D137,276 S * 2/1944 Muller-Munk D8/334

D137,277 S * 2/1944 Muller-Munk D8/334
D251,115 S * 2/1979 Rothenberg D11/81
D461,699 S * 8/2002 Lavikainen D8/334
D513,392 S * 1/2006 Arbore D11/48
D515,452 S * 2/2006 Arbore D11/48
D535,580 S * 1/2007 Arbore D11/48
D543,832 S * 6/2007 Tsui D8/334
D633,909 S * 3/2011 Heath D14/480.2
D695,589 S * 12/2013 Stevens D8/334
D718,654 S * 12/2014 Blasco D11/86
D722,861 S * 2/2015 Chen D8/334
D762,512 S * 8/2016 Della Valle D11/81
D883,844 S 5/2020 Heng
D884,545 S 5/2020 Wang
D904,924 S * 12/2020 Della Valle D11/81

* cited by examiner

Primary Examiner — Melanie Pellegrini

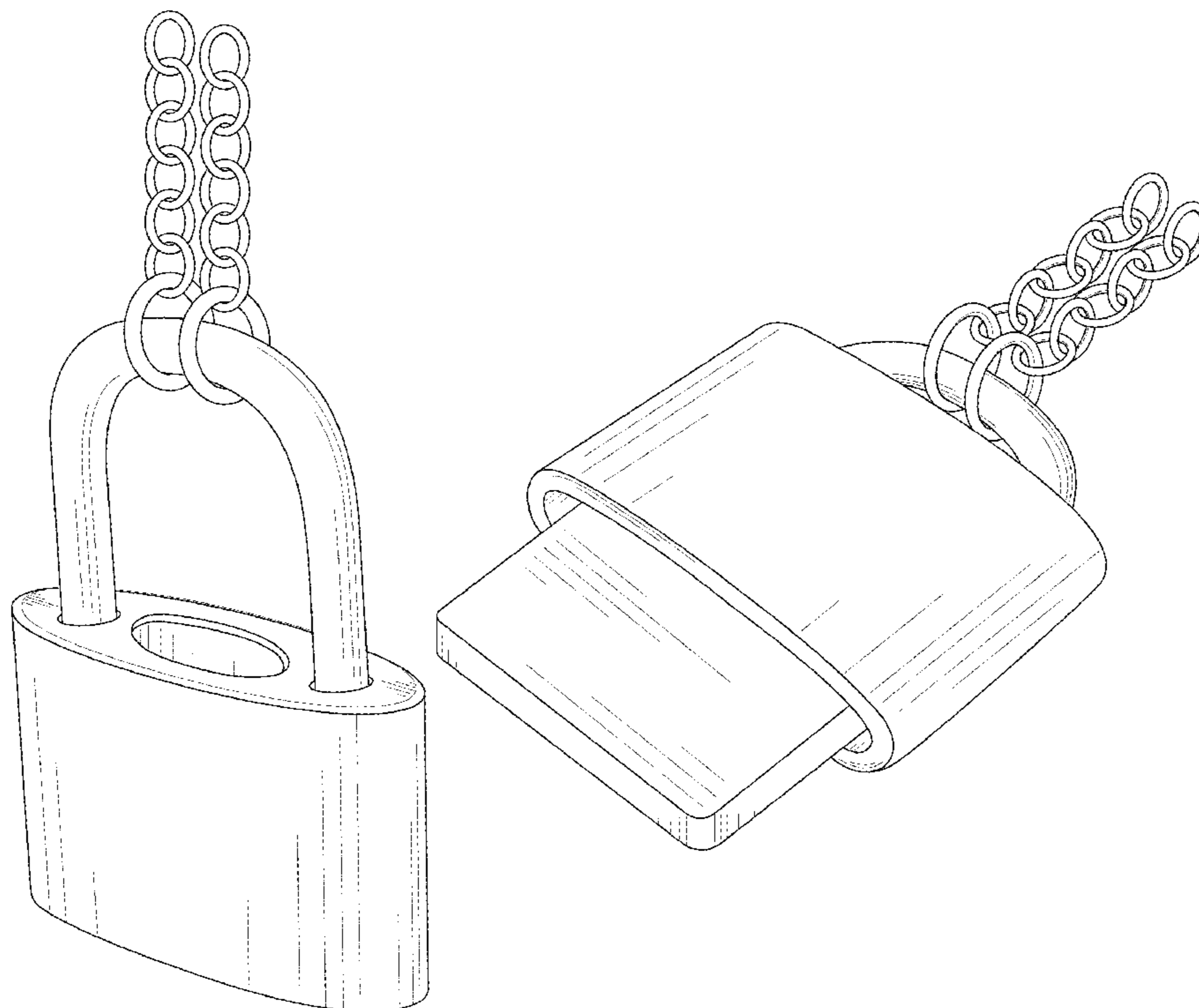
(57) **CLAIM**

The ornamental design for a lock pendant, as shown and described.

DESCRIPTION

FIG. 1 is a perspective view of a lock pendant showing my new design;
FIG. 2 is another perspective view thereof in its open state;
FIG. 3 is a front view thereof in its open state;
FIG. 4 is a front view thereof. A rear view thereof of lock pendant is a mirror image of the front view thereof;
FIG. 5 is a left view thereof. A right view thereof of lock pendant is a mirror image of the left view thereof;
FIG. 6 is a top plan view thereof; and,
FIG. 7 is a bottom plan view thereof.

1 Claim, 6 Drawing Sheets



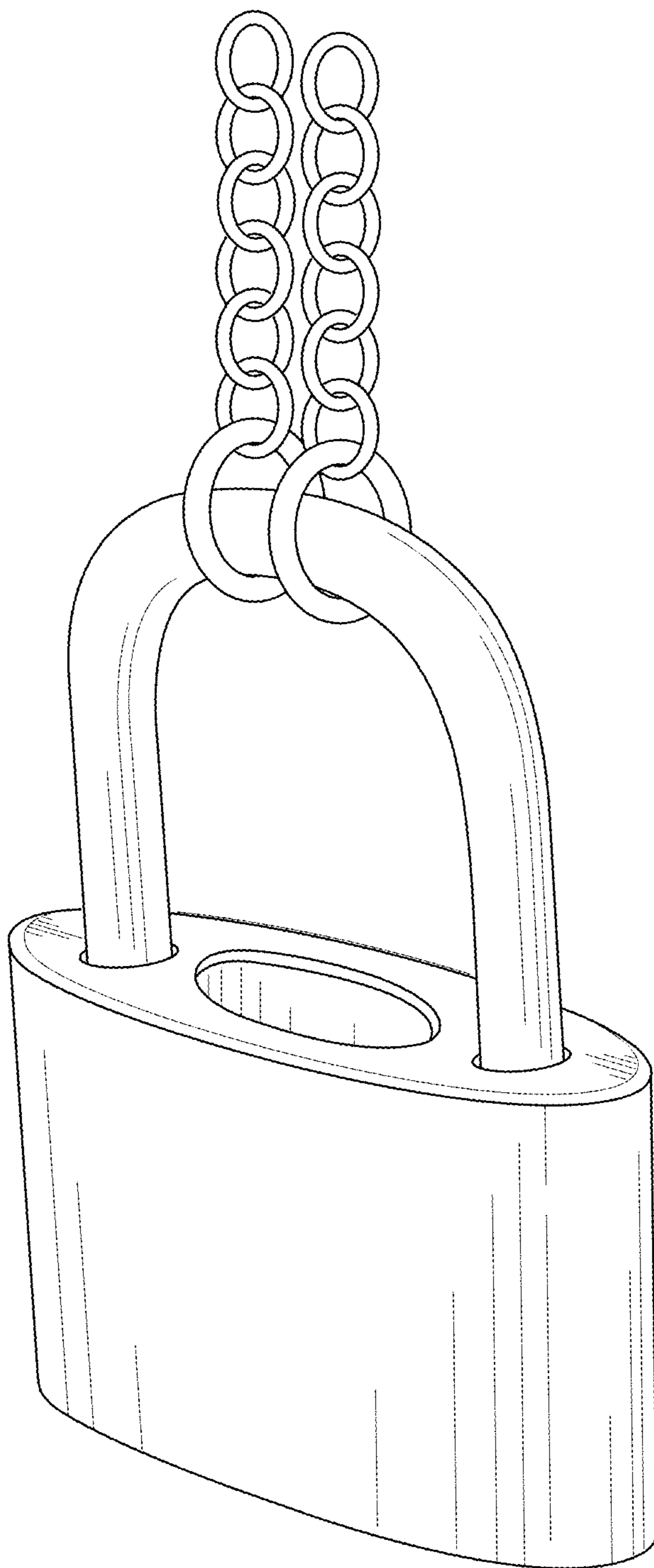


FIG. 1

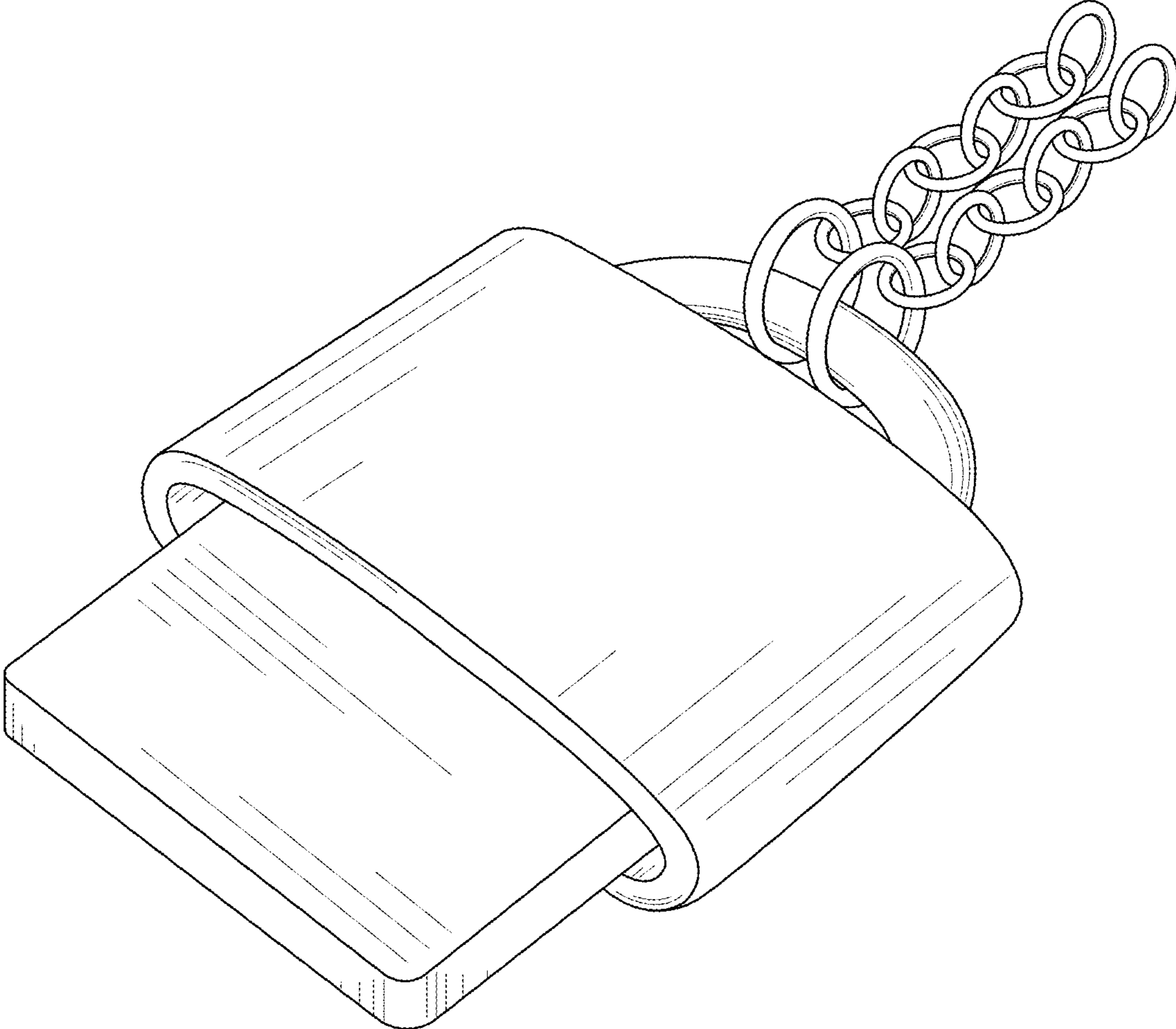


FIG. 2

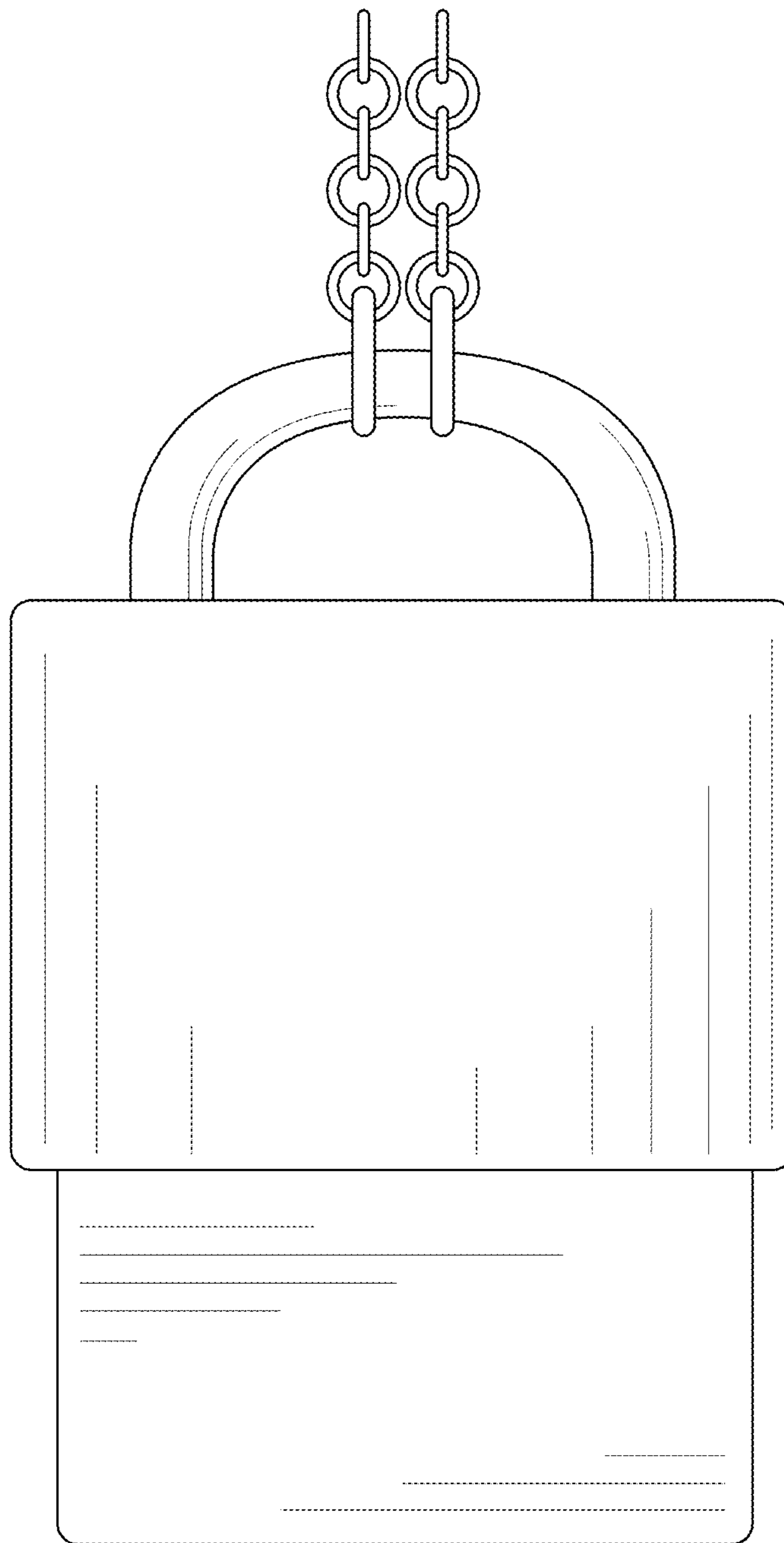


FIG. 3

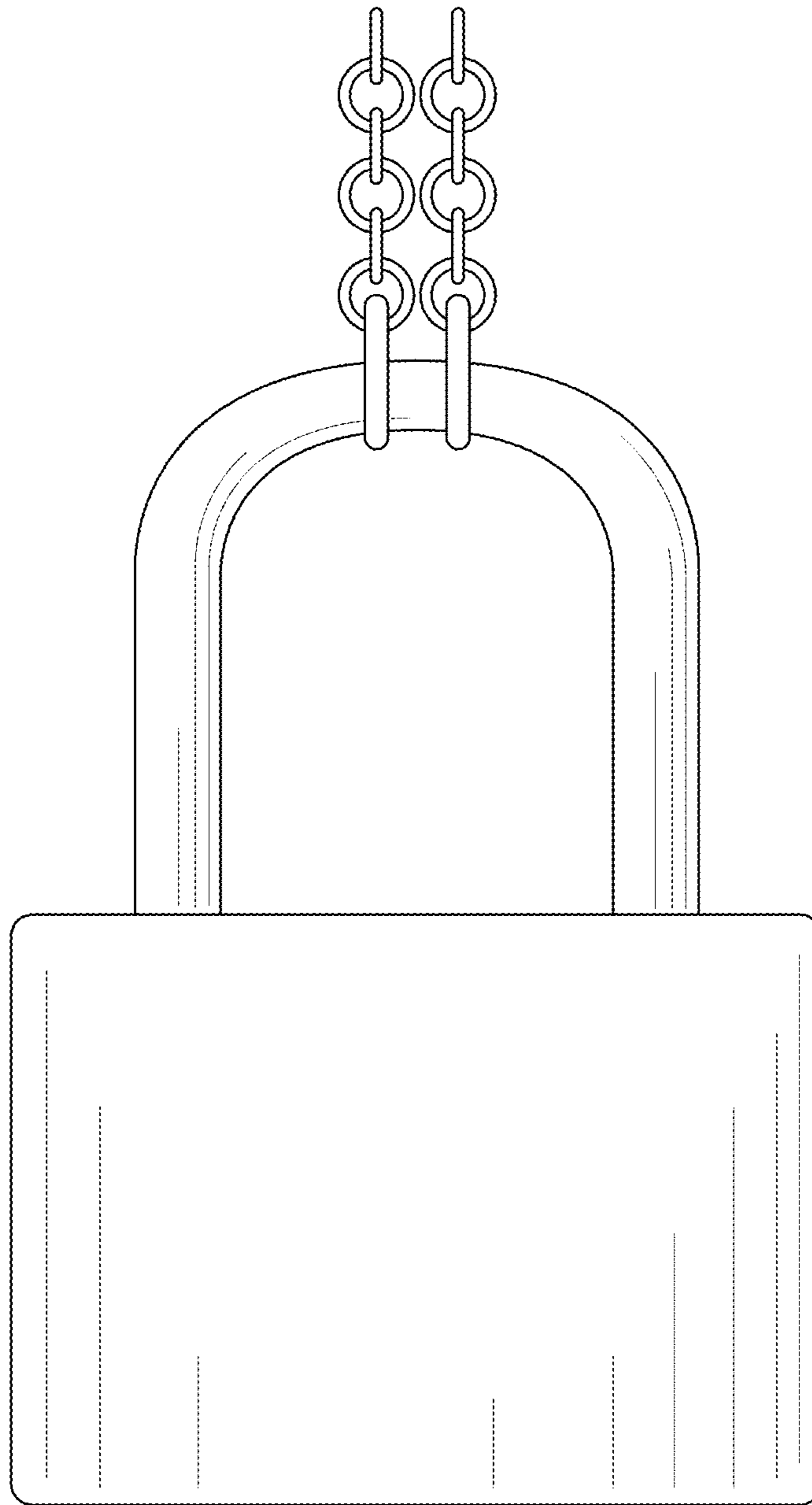


FIG. 4

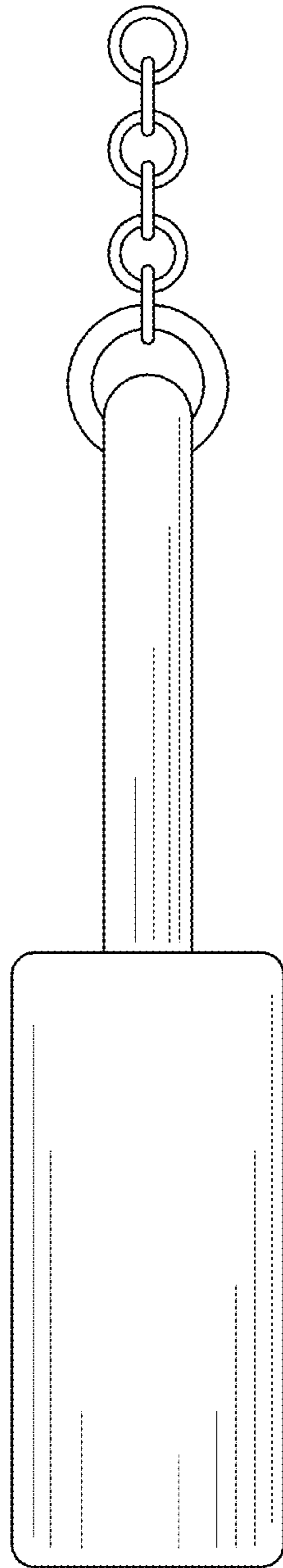


FIG. 5

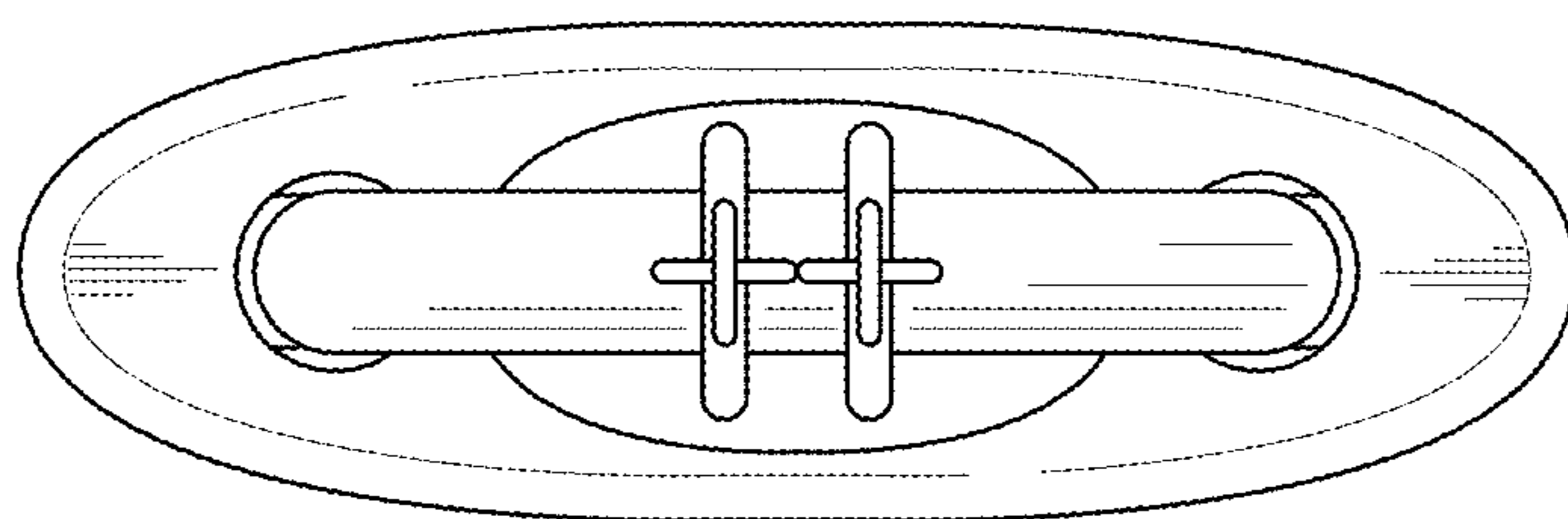


FIG. 6

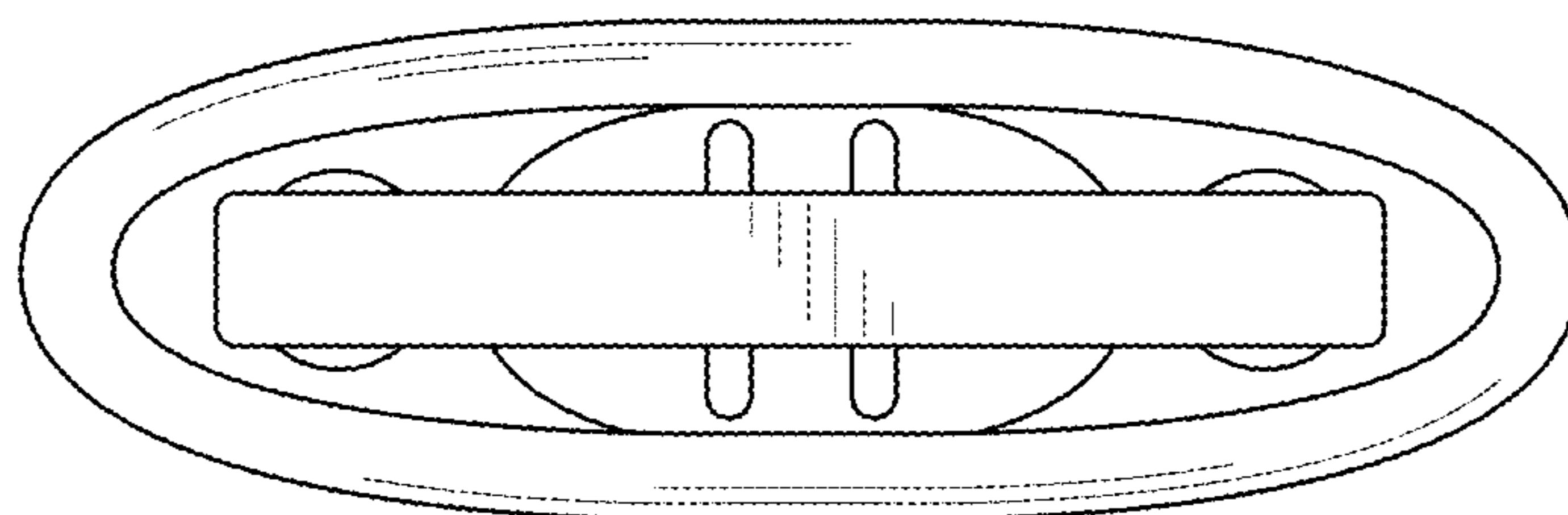


FIG. 7