



US00D935344S

(12) **United States Design Patent** (10) **Patent No.:** **US D935,344 S**
Huang (45) **Date of Patent:** **** Nov. 9, 2021**

(54) **PENDANT**

(71) Applicant: **GUANGZHOU BAIJING NETWORK TECHNOLOGY CO., LTD.**, Guangzhou (CN)

(72) Inventor: **Gang Huang**, Guangzhou (CN)

(**) Term: **15 Years**

(21) Appl. No.: **29/747,500**

(22) Filed: **Aug. 24, 2020**

(51) **LOC (13) Cl.** **11-01**

(52) **U.S. Cl.**
USPC **D11/79**

(58) **Field of Classification Search**
USPC D11/40–50, 61, 79–86, 91, 92, 1, 2, 3, 7, D11/8
CPC A44C 25/00; A44C 25/001; A44C 25/002; A44C 25/007; A44C 15/00; A44C 15/005; A44C 15/0055; A44C 1/00
See application file for complete search history.

(56) **References Cited**

U.S. PATENT DOCUMENTS

D108,468 S *	2/1938	Verrechio	D11/46
D252,561 S *	8/1979	Durante	D11/46
D542,024 S *	5/2007	Bulgari	D3/207
D543,888 S *	6/2007	Bulgari	D11/79
D566,603 S *	4/2008	Bulgari	D11/7
D567,132 S *	4/2008	Bulgari	D11/43
D619,919 S	7/2010	Harding		

D634,235 S	3/2011	Sandberg	
D654,391 S	2/2012	Minkkinen et al.	
D715,677 S	10/2014	Lavigne et al.	
D719,051 S	12/2014	Macri	
D780,042 S *	2/2017	Bibeault D11/79
D789,236 S *	6/2017	Bibeault D11/79
D852,670 S	7/2019	Koutsolioutsos	
D917,329 S *	4/2021	Matheny D11/79
2008/0229641 A1 *	9/2008	Slautterback A44C 1/00 40/773

* cited by examiner

Primary Examiner — Melanie Pellegrini

(74) *Attorney, Agent, or Firm* — Rumit Ranjit Kanakia

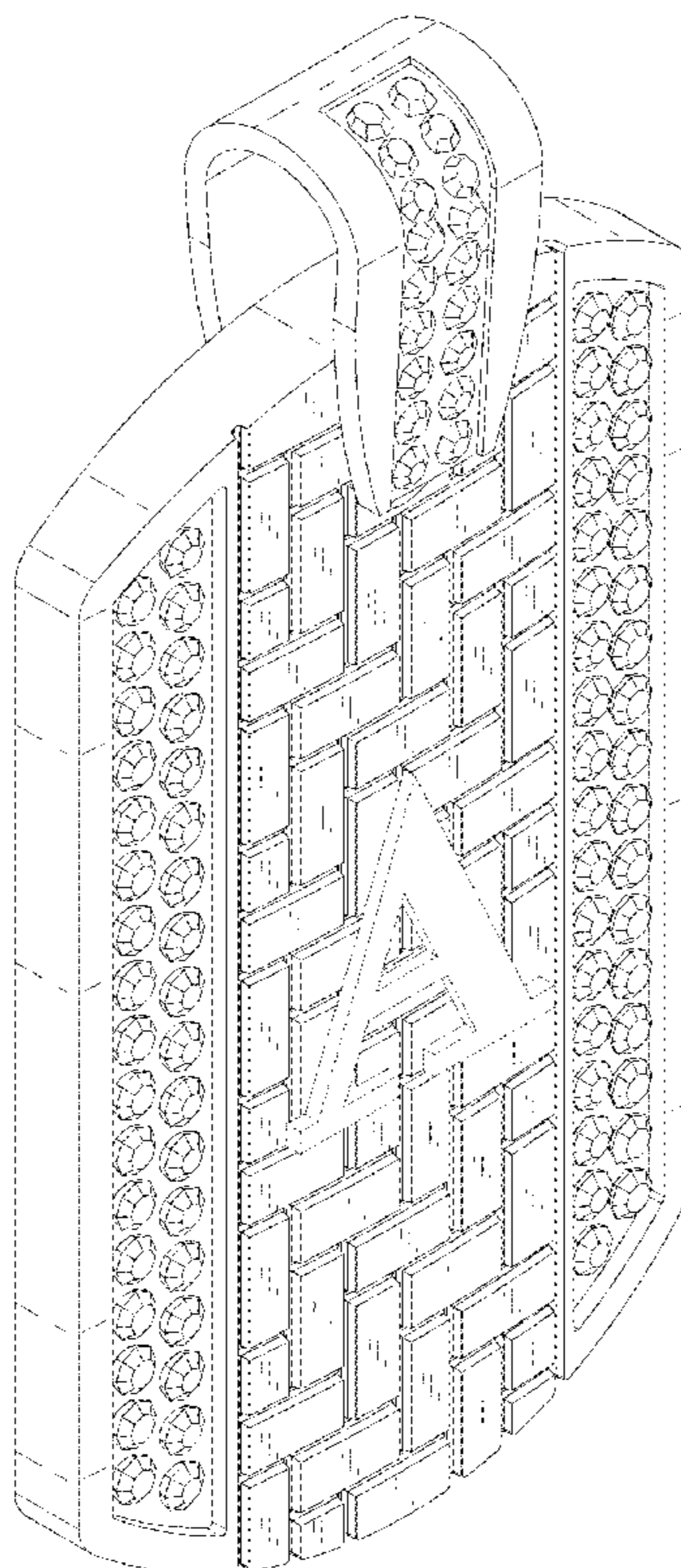
(57) **CLAIM**

I claim the ornamental design for a pendant, as shown and described.

DESCRIPTION

FIG. 1 is a Perspective view of a pendant showing my new design;
FIG. 2 is a Front view thereof;
FIG. 3 is a Back view thereof;
FIG. 4 is a Left-side view thereof;
FIG. 5 is a Right-side view thereof;
FIG. 6 is a Top view thereof; and,
FIG. 7 is a Bottom view thereof.
The broken lines are for the purpose of illustrating portions of the article that form no part of the claim.

1 Claim, 6 Drawing Sheets



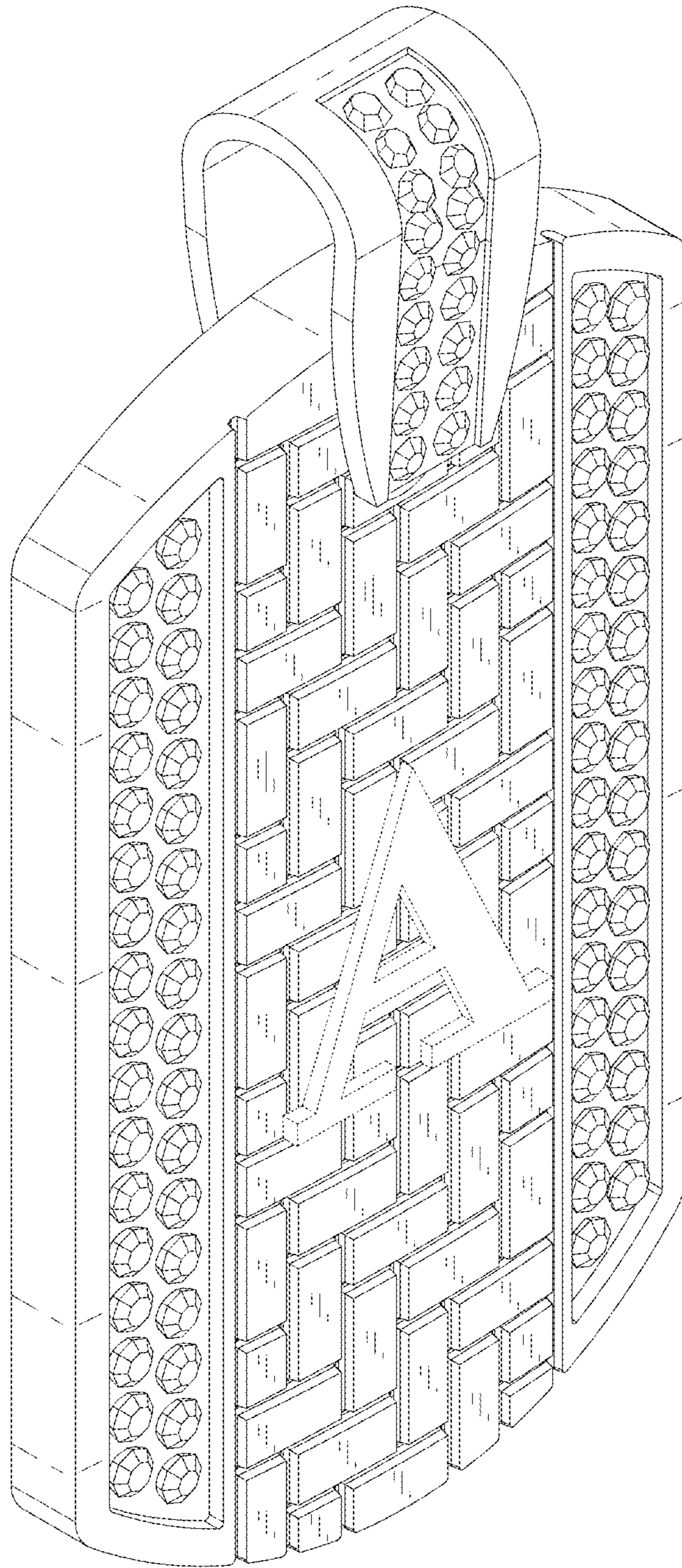


FIG. 1

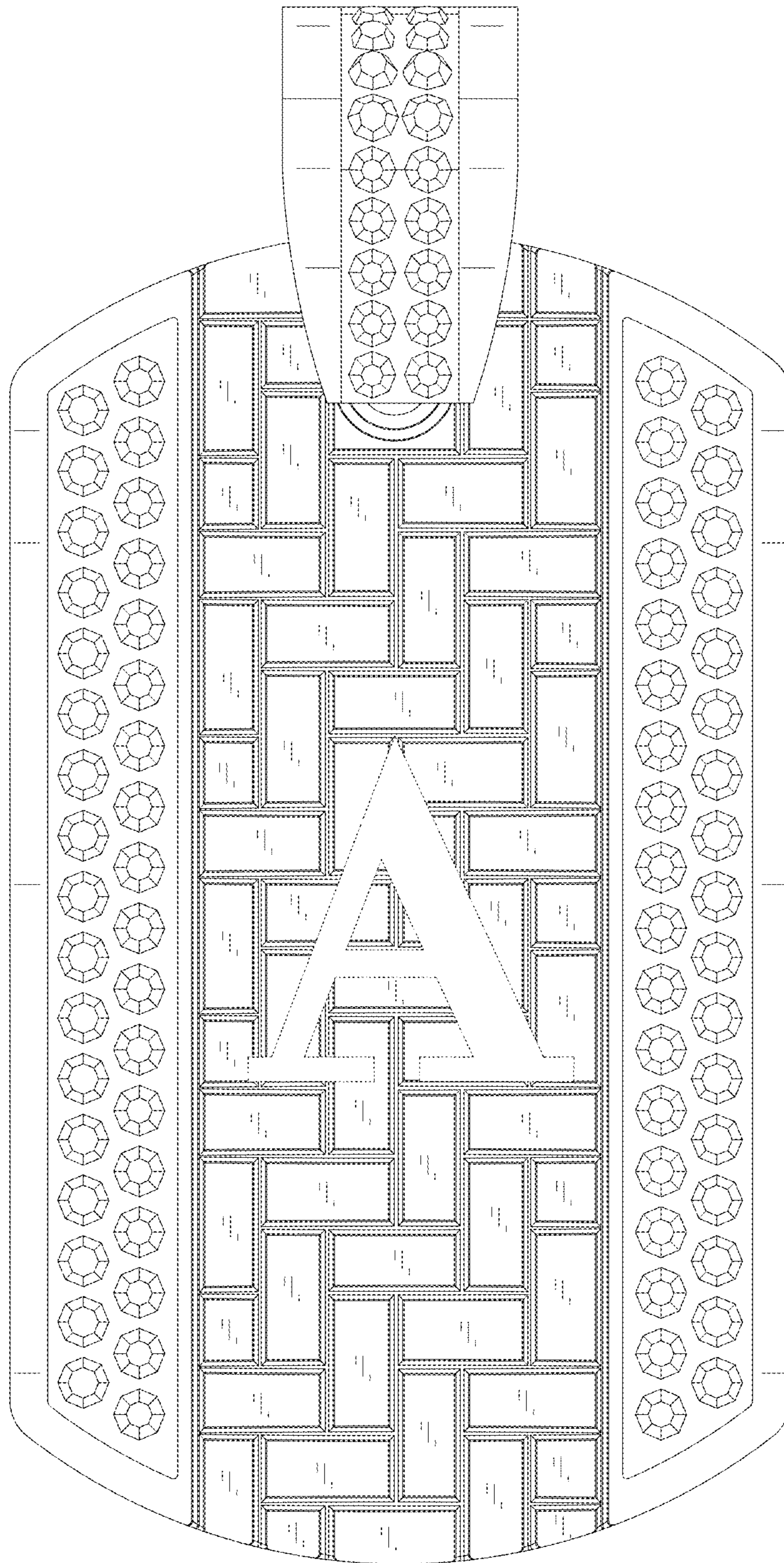


FIG. 2

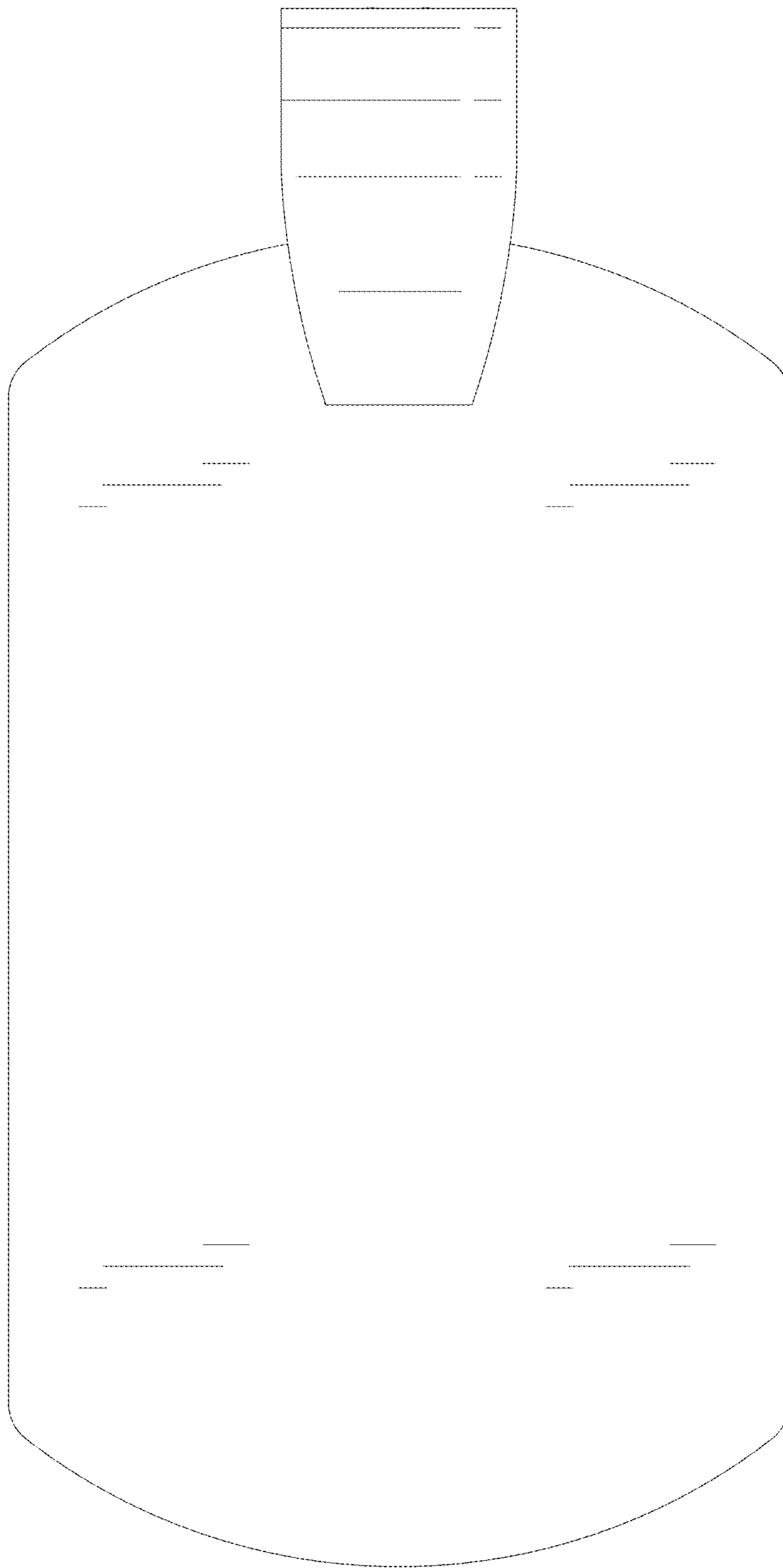


FIG. 3

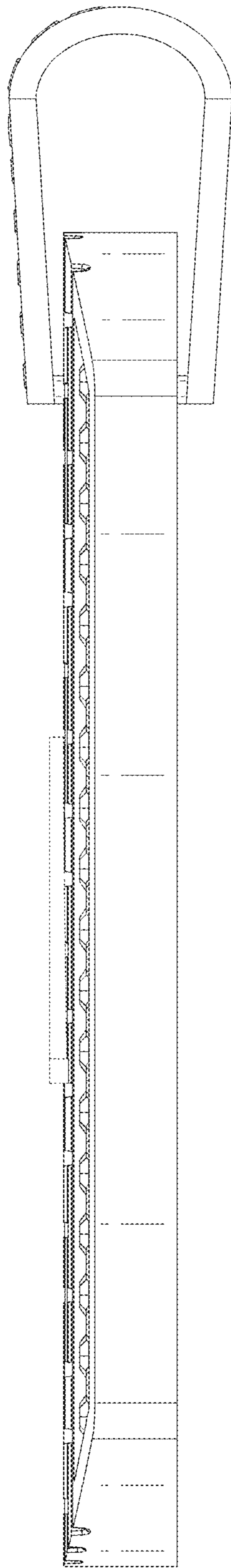


FIG. 4

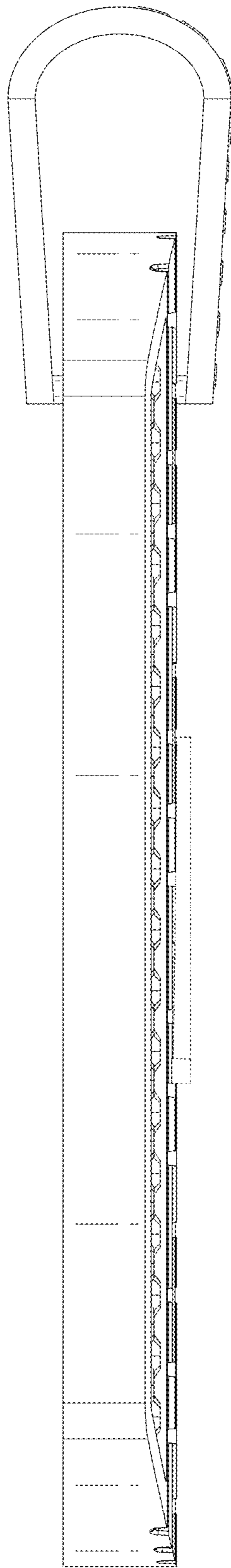


FIG. 5

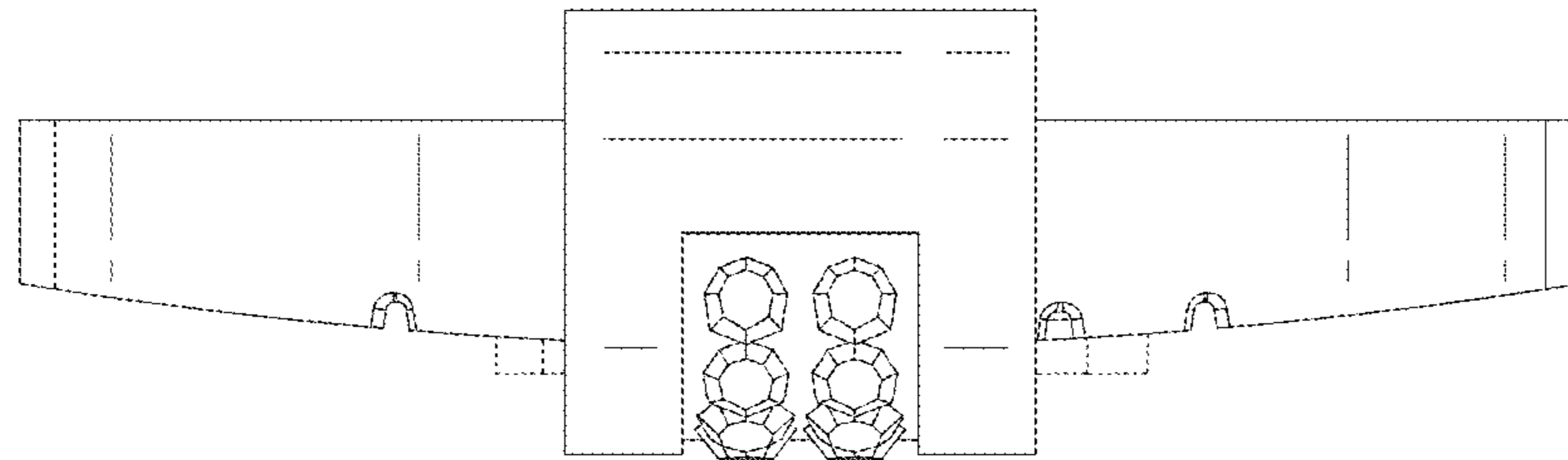


FIG. 6

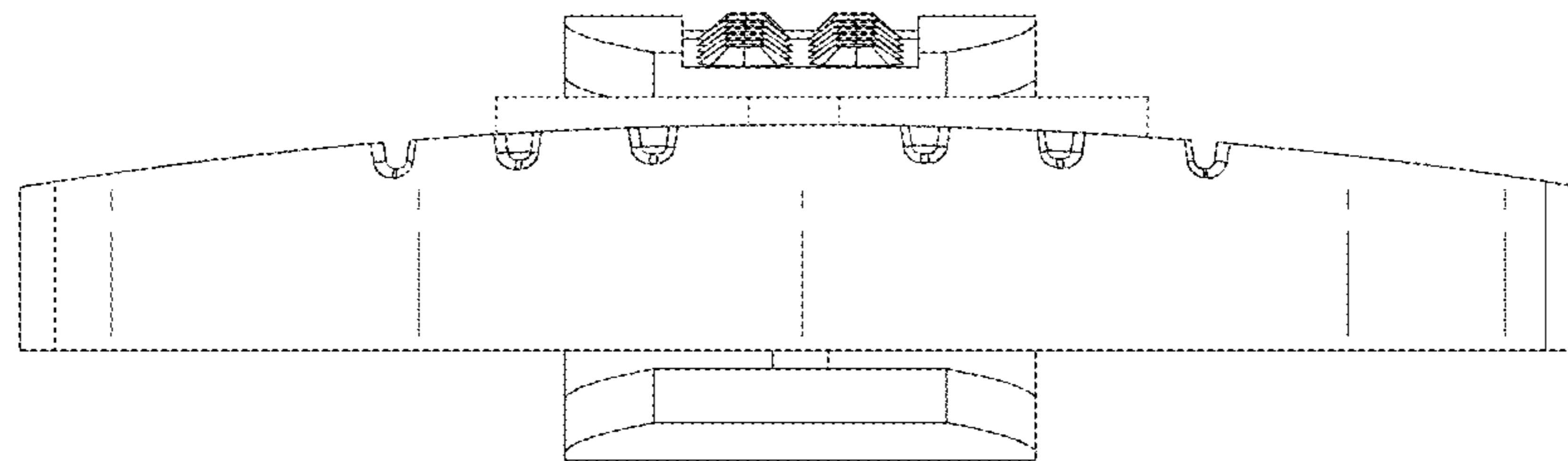


FIG. 7