

US00D935341S

(12) **United States Design Patent** (10) **Patent No.:** **US D935,341 S**  
**Li** (45) **Date of Patent:** **\*\* Nov. 9, 2021**

(54) **EARRING**

(71) Applicant: **Yin Li**, Anxiang (CN)

(72) Inventor: **Yin Li**, Anxiang (CN)

(\*\*) Term: **15 Years**

(21) Appl. No.: **29/769,166**

(22) Filed: **Feb. 3, 2021**

(51) **LOC (13) Cl.** ..... **11-01**

(52) **U.S. Cl.**  
USPC ..... **D11/48; D11/61**

(58) **Field of Classification Search**  
USPC ..... **D3/207-211; D11/79-86, 56, 61, 40, 1, D11/41-50**

(Continued)

(56) **References Cited**

**U.S. PATENT DOCUMENTS**

D155,511 S \* 10/1949 Janousek ..... D11/42  
D264,767 S \* 6/1982 Spreter ..... D11/230

(Continued)

**OTHER PUBLICATIONS**

[online] [https://www.amazon.com/SANNYRA-Initial-Earrings-Alphabet-Gold-Plated/dp/B094MNMWW8/ref=sr\\_1\\_13?dchild=1&keywords=initial+earring&qid=1631330710&sr=8-13](https://www.amazon.com/SANNYRA-Initial-Earrings-Alphabet-Gold-Plated/dp/B094MNMWW8/ref=sr_1_13?dchild=1&keywords=initial+earring&qid=1631330710&sr=8-13). Retrieved Sep. 10, 2021.\*

(Continued)

*Primary Examiner* — Melanie Pellegrini

(74) *Attorney, Agent, or Firm* — Zhihua Han; Wen IP LLC

(57) **CLAIM**

The ornamental design for a earring, as shown and described.

**DESCRIPTION**

FIG. 1 is a perspective view of a first embodiment of a earring, showing my new design;

FIG. 2 is a front elevation view of FIG. 1;  
FIG. 3 is a rear elevation view of FIG. 1;  
FIG. 4 is a left side elevation view of FIG. 1;  
FIG. 5 is a right side elevation view of FIG. 1;  
FIG. 6 is a top plan view of FIG. 1;  
FIG. 7 is a bottom plan view of FIG. 1.  
FIG. 8 is a perspective view of a second embodiment of a earring;  
FIG. 9 is a front elevation view of FIG. 8;  
FIG. 10 is a rear elevation view of FIG. 8;  
FIG. 11 is a perspective view of a third embodiment of a earring;  
FIG. 12 is a front elevation view of FIG. 11;  
FIG. 13 is a rear elevation view of FIG. 11;  
FIG. 14 is a perspective view of a fourth embodiment of a earring;  
FIG. 15 is a front elevation view of FIG. 14;  
FIG. 16 is a rear elevation view of FIG. 14;  
FIG. 17 is a perspective view of a fifth embodiment of a earring;  
FIG. 18 is a front elevation view of FIG. 17;  
FIG. 19 is a rear elevation view of FIG. 17;  
FIG. 20 is a perspective view of a sixth embodiment of a earring;  
FIG. 21 is a front elevation view of FIG. 20;  
FIG. 22 is a rear elevation view of FIG. 20;  
FIG. 23 is a perspective view of a seventh embodiment of a earring;  
FIG. 24 is a front elevation view of FIG. 23;  
FIG. 25 is a rear elevation view of FIG. 23;  
FIG. 26 is a perspective view of an eighth embodiment of a earring;  
FIG. 27 is a front elevation view of FIG. 26;  
FIG. 28 is a rear elevation view of FIG. 26;  
FIG. 29 is a perspective view of a ninth embodiment of a earring;  
FIG. 30 is a front elevation view of FIG. 29;  
FIG. 31 is a rear elevation view of FIG. 29;  
FIG. 32 is a perspective view of a tenth embodiment of a earring;  
FIG. 33 is a front elevation view of FIG. 32;  
FIG. 34 is a rear elevation view of FIG. 32;

(Continued)

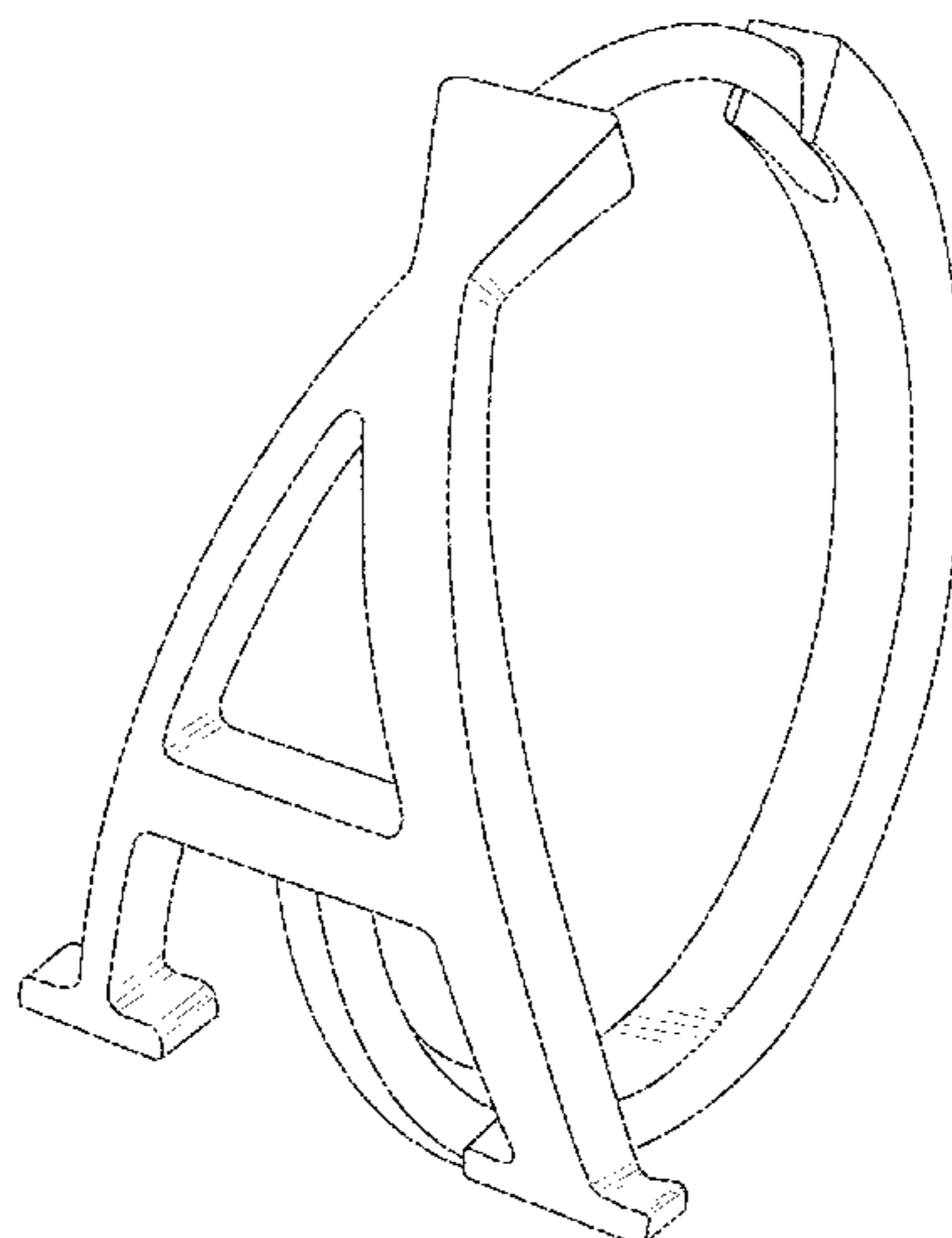


FIG. 35 is a perspective view of an eleventh embodiment of a earring;  
 FIG. 36 is a front elevation view of FIG. 35;  
 FIG. 37 is a rear elevation view of FIG. 35;  
 FIG. 38 is a perspective view of a twelfth embodiment of a earring;  
 FIG. 39 is a front elevation view of FIG. 38;  
 FIG. 40 is a rear elevation view of FIG. 38;  
 FIG. 41 is a perspective view of a thirteenth embodiment of a earring;  
 FIG. 42 is a front elevation view of FIG. 41;  
 FIG. 43 is a rear elevation view of FIG. 41;  
 FIG. 44 is a perspective view of a fourteenth embodiment of a earring;  
 FIG. 45 is a front elevation view of FIG. 44;  
 FIG. 46 is a rear elevation view of FIG. 44;  
 FIG. 47 is a perspective view of a fifteenth embodiment of a earring;  
 FIG. 48 is a front elevation view of FIG. 47;  
 FIG. 49 is a rear elevation view of FIG. 47;  
 FIG. 50 is a perspective view of a sixteenth embodiment of a earring;  
 FIG. 51 is a front elevation view of FIG. 50;  
 FIG. 52 is a rear elevation view of FIG. 50;  
 FIG. 53 is a perspective view of a seventeenth embodiment of a earring;  
 FIG. 54 is a front elevation view of FIG. 53;  
 FIG. 55 is a rear elevation view of FIG. 53;  
 FIG. 56 is a perspective view of an eighteenth embodiment of a earring;  
 FIG. 57 is a front elevation view of FIG. 56;  
 FIG. 58 is a rear elevation view of FIG. 56;  
 FIG. 59 is a perspective view of a nineteenth embodiment of a earring;  
 FIG. 60 is a front elevation view of FIG. 59;  
 FIG. 61 is a rear elevation view of FIG. 59;  
 FIG. 62 is a perspective view of a twentieth embodiment of a earring;  
 FIG. 63 is a front elevation view of FIG. 62;  
 FIG. 64 is a rear elevation view of FIG. 62;  
 FIG. 65 is a perspective view of a twenty-first embodiment of a earring;  
 FIG. 66 is a front elevation view of FIG. 65;  
 FIG. 67 is a rear elevation view of FIG. 65;  
 FIG. 68 is a perspective view of a twenty-second embodiment of a earring;  
 FIG. 69 is a front elevation view of FIG. 68;  
 FIG. 70 is a rear elevation view of FIG. 68;  
 FIG. 71 is a perspective view of a twenty-third embodiment of a earring;  
 FIG. 72 is a front elevation view of FIG. 71;  
 FIG. 73 is a rear elevation view of FIG. 71;  
 FIG. 74 is a perspective view of a twenty-fourth embodiment of a earring;  
 FIG. 75 is a front elevation view of FIG. 74;

FIG. 76 is a rear elevation view of FIG. 74;  
 FIG. 77 is a perspective view of a twenty-fifth embodiment of a earring;  
 FIG. 78 is a front elevation view of FIG. 77;  
 FIG. 79 is a rear elevation view of FIG. 77;  
 FIG. 80 is a perspective view of a twenty-sixth embodiment of a earring;  
 FIG. 81 is a front elevation view of FIG. 80; and,  
 FIG. 82 is a rear elevation view of FIG. 80.

**1 Claim, 82 Drawing Sheets**

(58) **Field of Classification Search**

CPC ..... A44C 1/00; A44C 25/00; A44C 25/001;  
 A44C 25/002; A44C 25/007; A44C  
 15/00; A44C 15/003; A44C 15/005; A44C  
 15/0055; A44C 15/006; A44C 7/00; A44C  
 7/002; A44C 7/003; A44C 7/004; A44C  
 7/005; A44C 7/006; A44C 7/007; A44C  
 7/008; A44C 7/009

See application file for complete search history.

(56) **References Cited**

U.S. PATENT DOCUMENTS

D327,030	S	*	6/1992	Young	.....	D11/61
6,581,244	B1	*	6/2003	Peters	.....	A44C 7/00 16/386
D556,080	S	*	11/2007	Day	.....	D11/86
D562,718	S		2/2008	Won		
D634,235	S	*	3/2011	Sandberg	.....	D11/79
D718,650	S		12/2014	Weems		
D818,867	S	*	5/2018	Heller	.....	D11/42
D853,268	S		7/2019	Salaskar		
D873,701	S	*	1/2020	Amanatullah	.....	D11/61
D889,310	S	*	7/2020	Thompson	.....	D11/81
2013/0319044	A1	*	12/2013	Baik	.....	A44C 7/00 63/12

OTHER PUBLICATIONS

[online] [https://www.amazon.com/Initial-Earrings-Letters-Alphabet-Jewelry/dp/B08BC8MBRF/refpd\\_vtp\\_5/144-7614122-6709747?pd\\_rd\\_w=9QCcl&pf\\_rd\\_p=016e3697-91be-4dc2-9533-ef9350e7e73d&pf\\_rd\\_r=PRNCBWEFCMZE5KHT5D4A&pd\\_rd\\_r=8e396226-b551-4af8-92a5-20bda6e3310f&pd\\_rd\\_wg=wyFlj&pd\\_rd\\_i=B08BBZ56FN&psc=1](https://www.amazon.com/Initial-Earrings-Letters-Alphabet-Jewelry/dp/B08BC8MBRF/refpd_vtp_5/144-7614122-6709747?pd_rd_w=9QCcl&pf_rd_p=016e3697-91be-4dc2-9533-ef9350e7e73d&pf_rd_r=PRNCBWEFCMZE5KHT5D4A&pd_rd_r=8e396226-b551-4af8-92a5-20bda6e3310f&pd_rd_wg=wyFlj&pd_rd_i=B08BBZ56FN&psc=1). Retrieved Sep. 10, 2021.\*  
 [online] [https://www.amazon.com/Earrings-Alphabet-Initials-Personalized-Minimalist/dp/B08ZBZ8SPF/ref=sr\\_1\\_33\\_sspa?dchild=1&keywords=initial%2Bearing&qid=1631330199&sr=8-33-spons&spLa=ZW5jcnlwdGVkUXVhbGlmaWVyPUFWMDVCWktJQTIENFcmZW5jcnlwdGVkSWQ9QTAzMzA3ODJYOEQ4M1M1VEVSOTQmZW5jcnlwdGVkQWRJZD1BMDk5NTM3NTJTT01CVFcxNUZ.\\*](https://www.amazon.com/Earrings-Alphabet-Initials-Personalized-Minimalist/dp/B08ZBZ8SPF/ref=sr_1_33_sspa?dchild=1&keywords=initial%2Bearing&qid=1631330199&sr=8-33-spons&spLa=ZW5jcnlwdGVkUXVhbGlmaWVyPUFWMDVCWktJQTIENFcmZW5jcnlwdGVkSWQ9QTAzMzA3ODJYOEQ4M1M1VEVSOTQmZW5jcnlwdGVkQWRJZD1BMDk5NTM3NTJTT01CVFcxNUZ.*)

\* cited by examiner

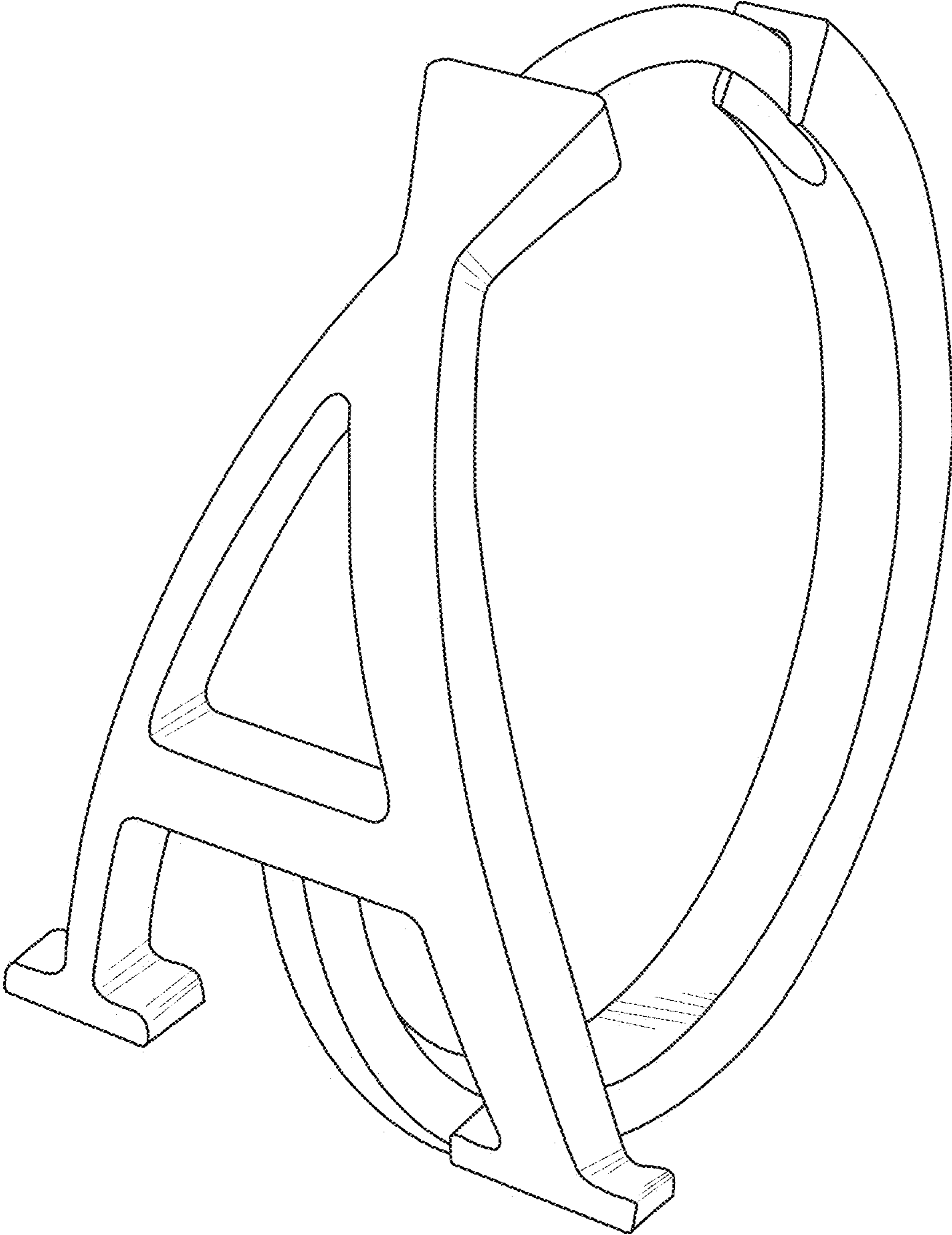


FIG. 1

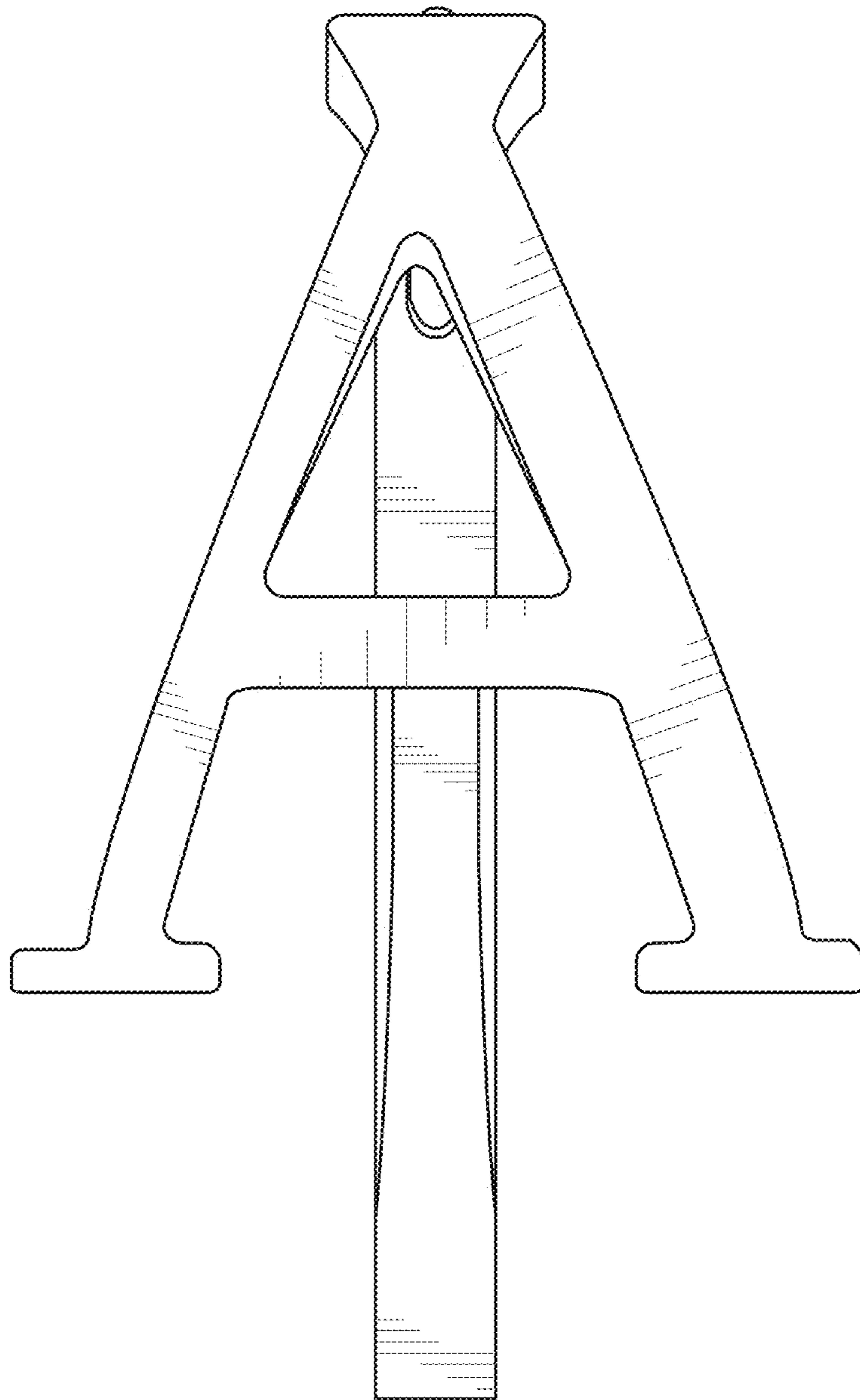


FIG. 2

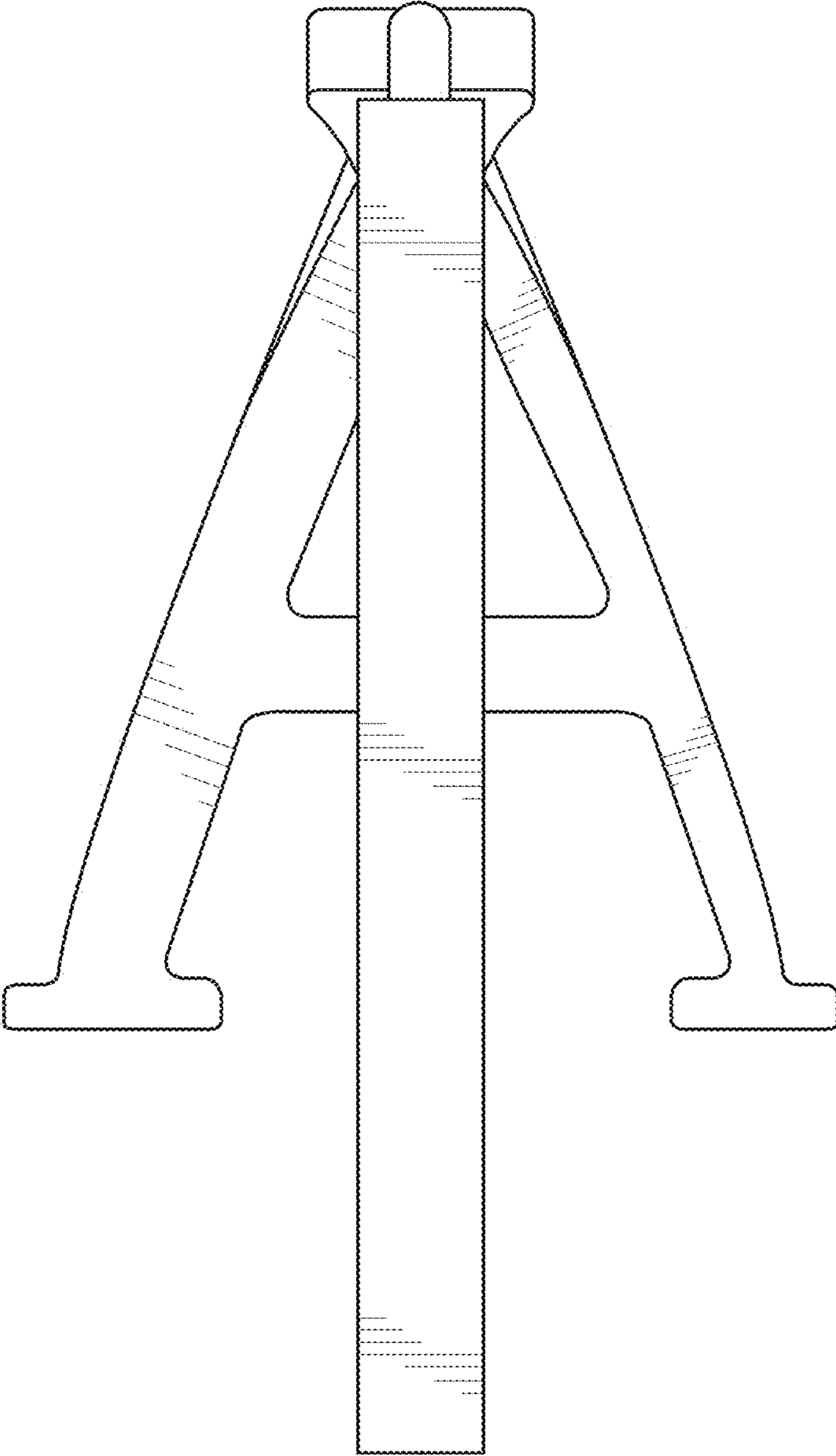


FIG. 3

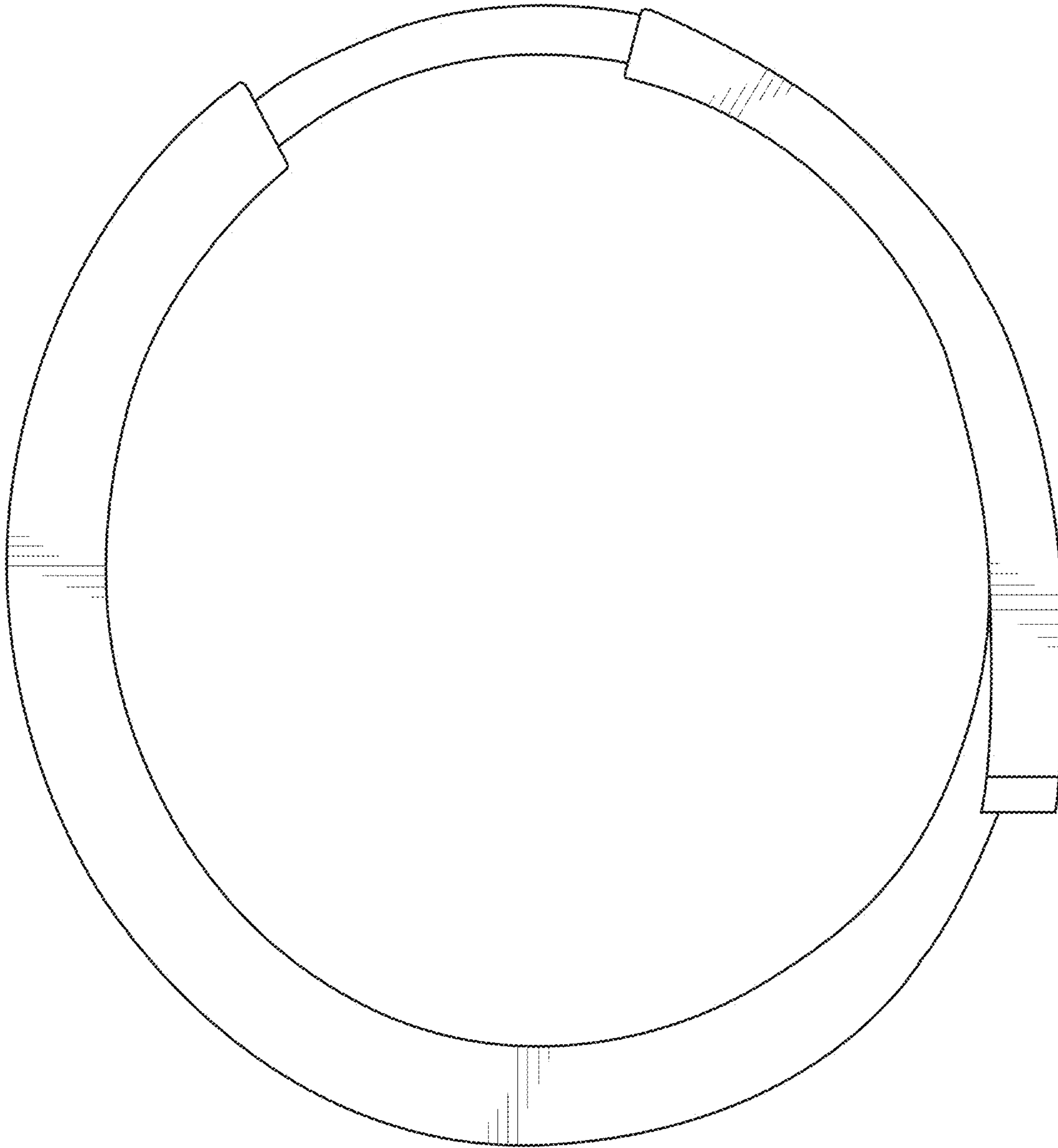


FIG. 4

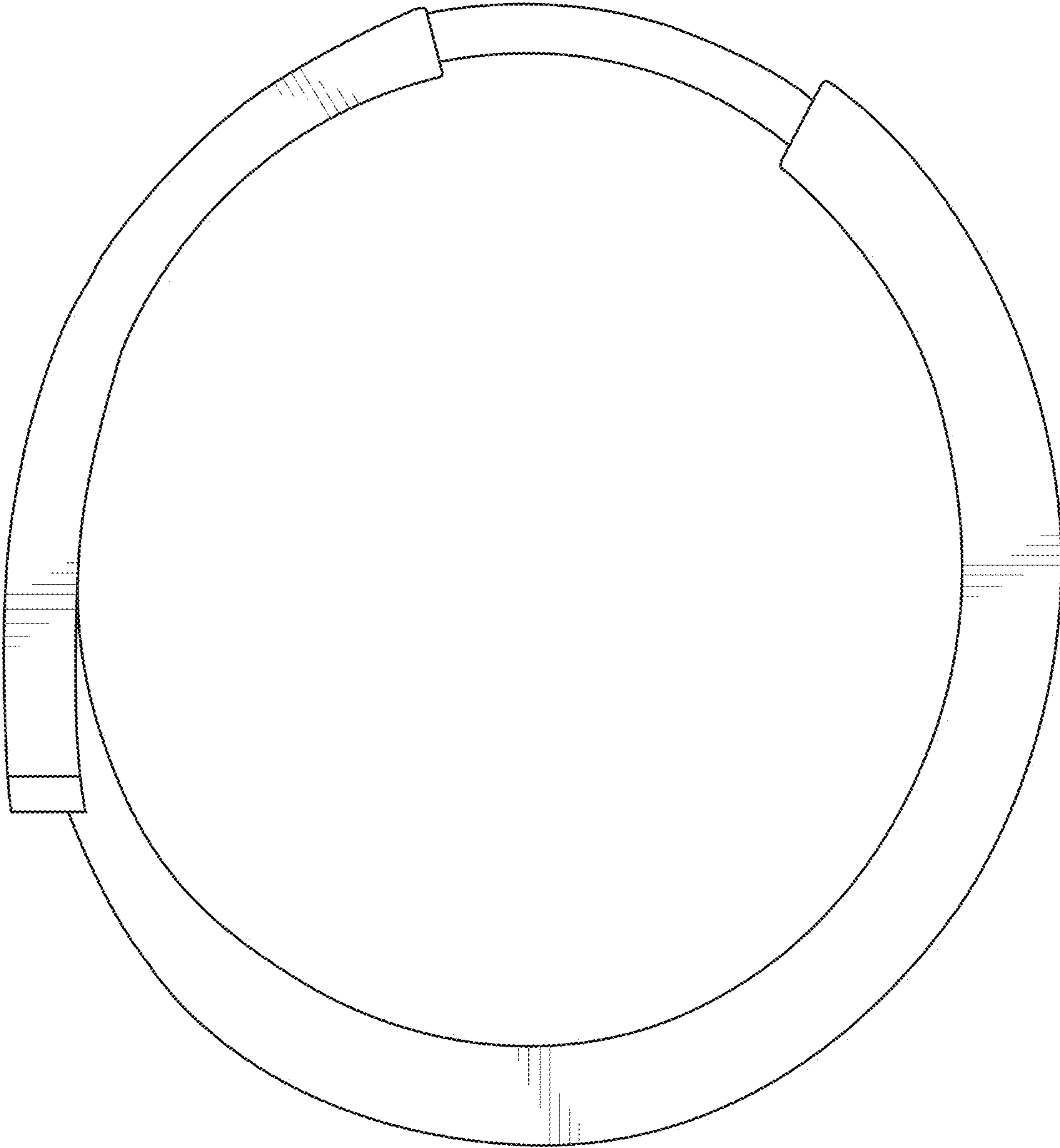


FIG. 5

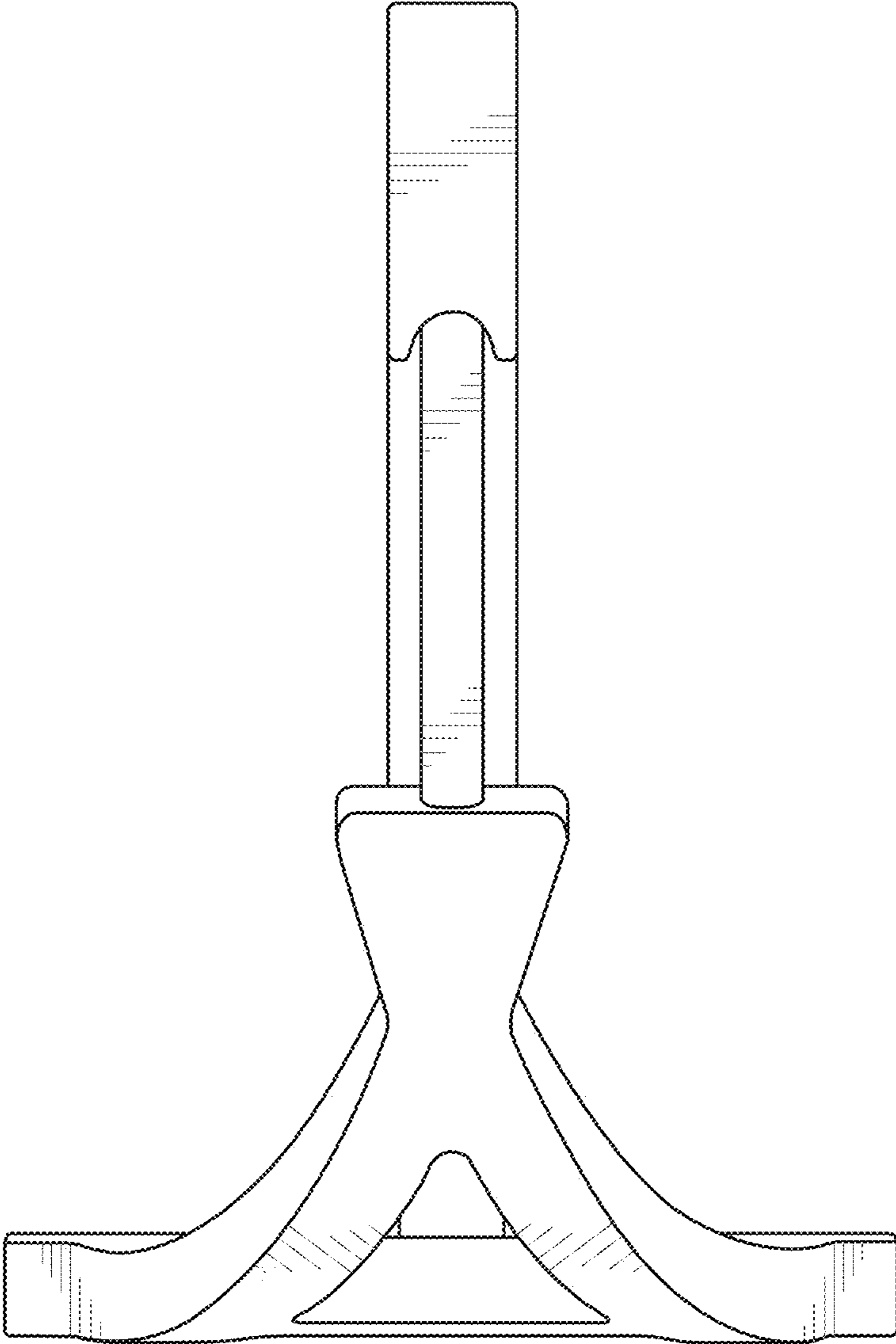


FIG. 6



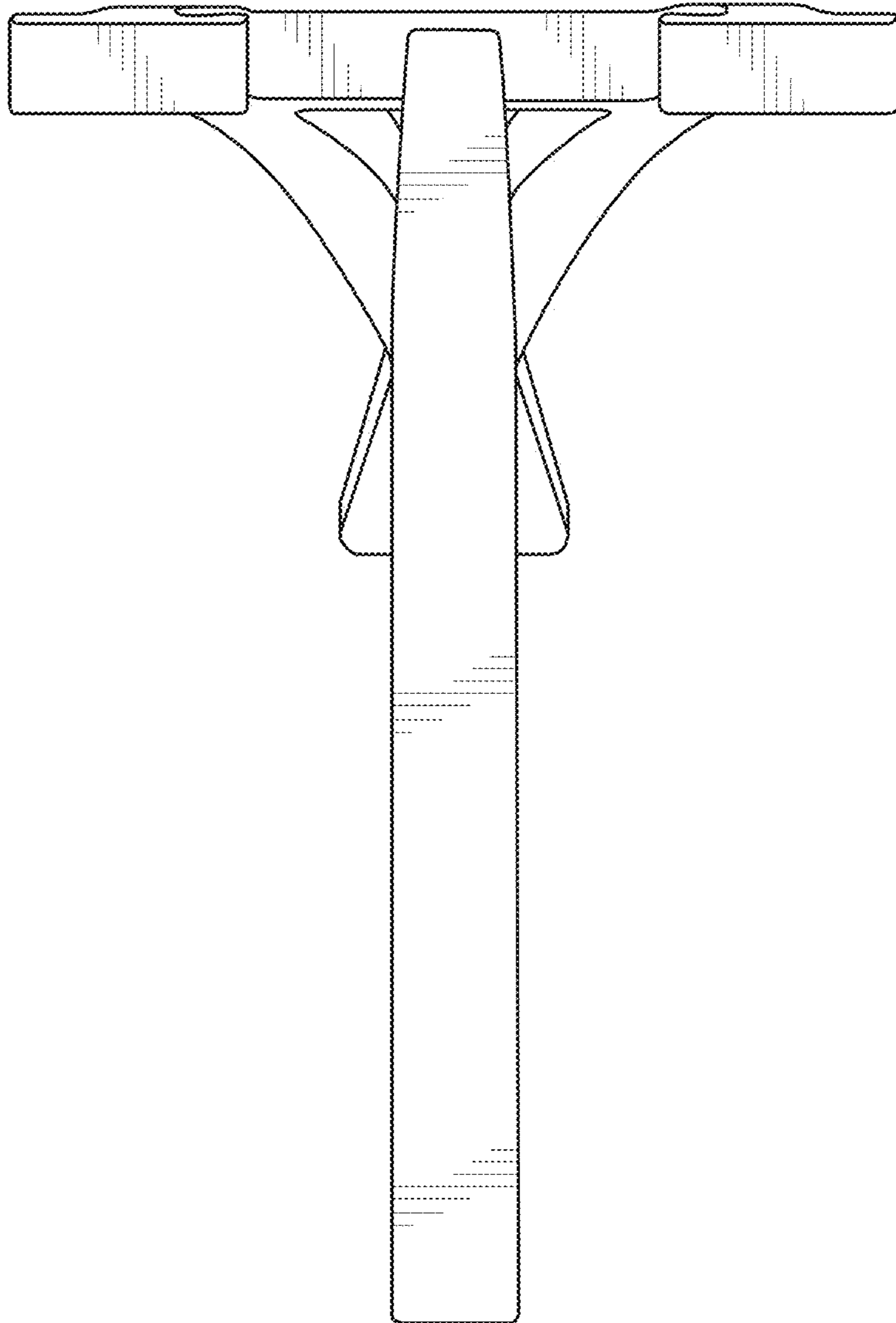


FIG. 7

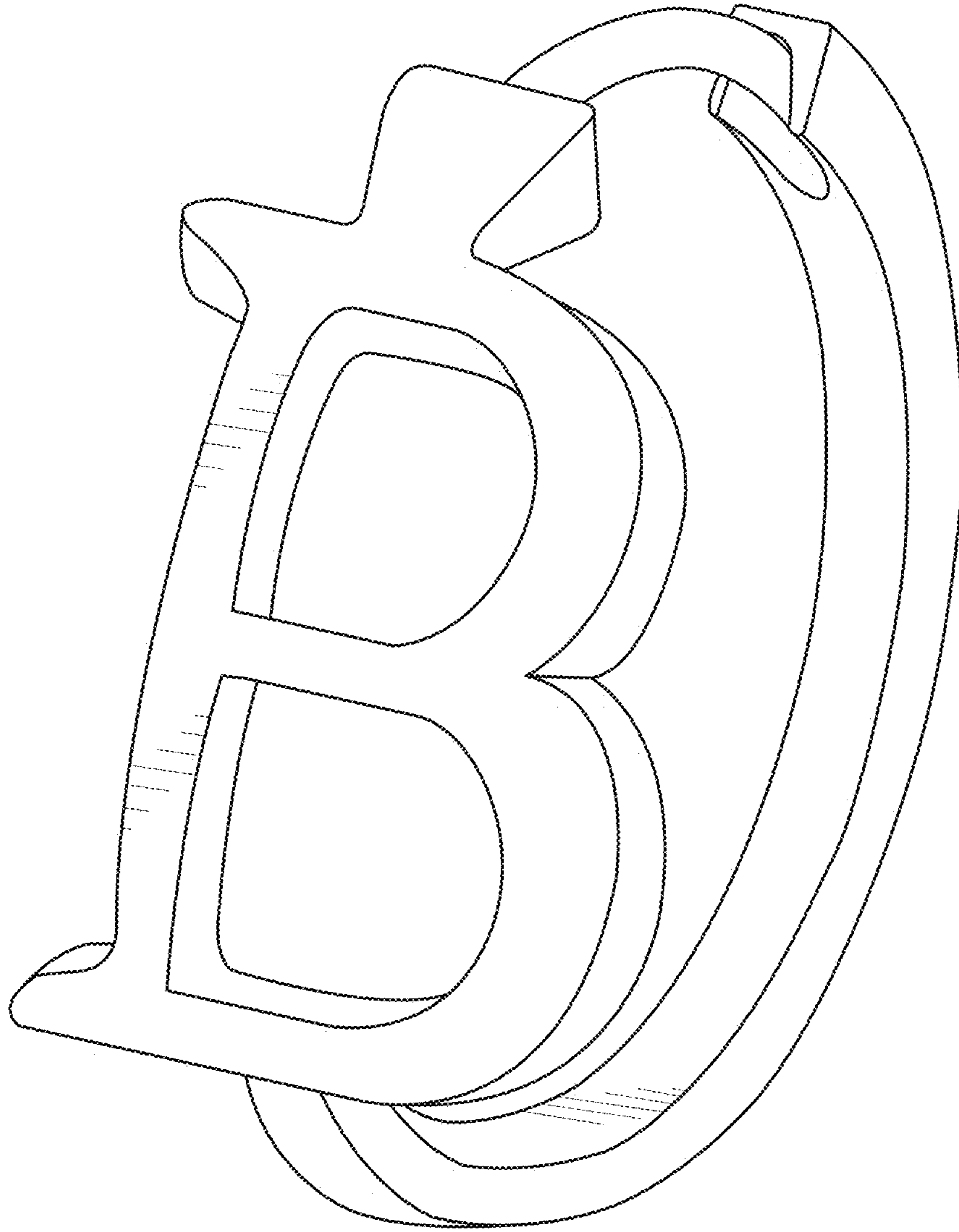


FIG. 8

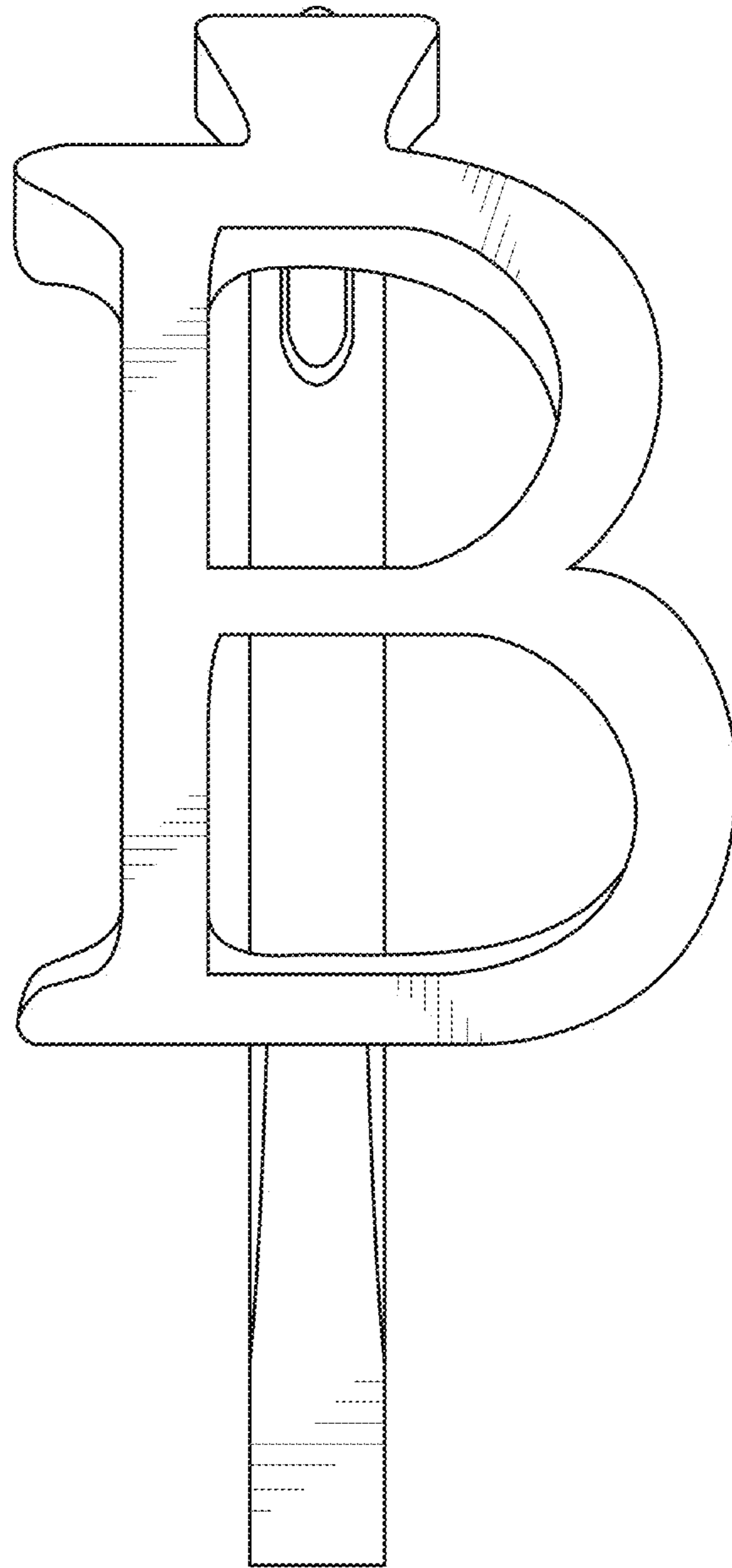


FIG. 9

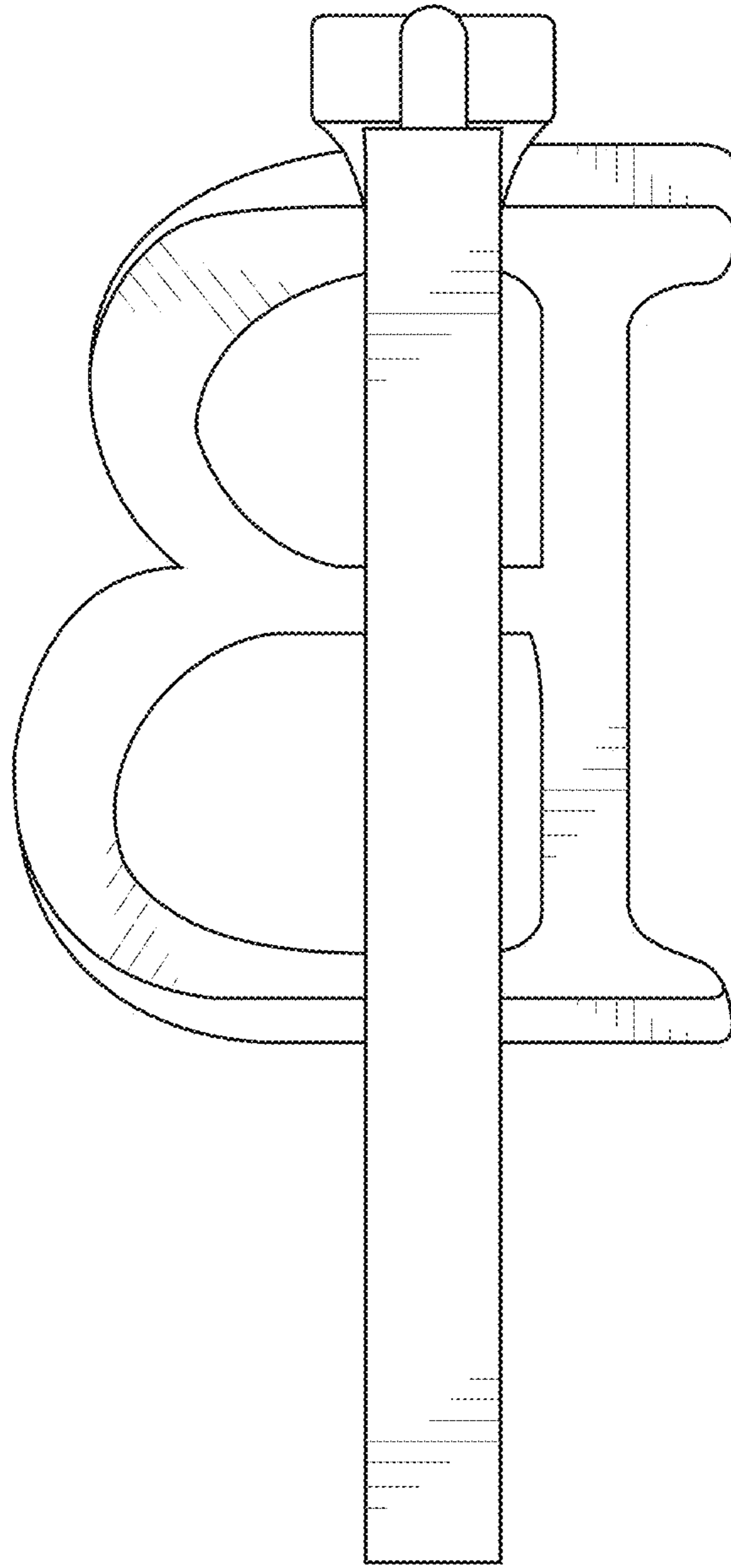


FIG. 10

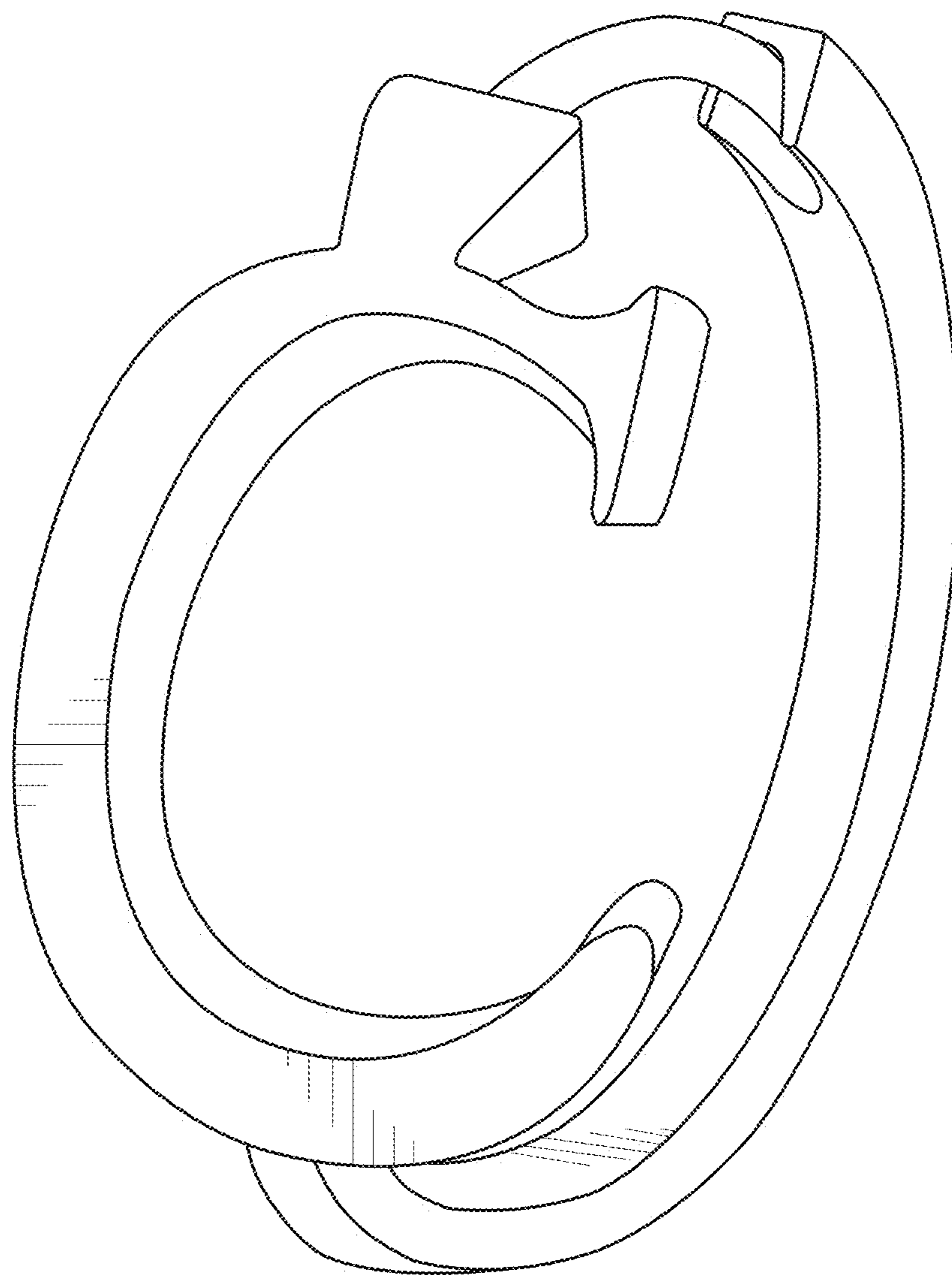


FIG. 11

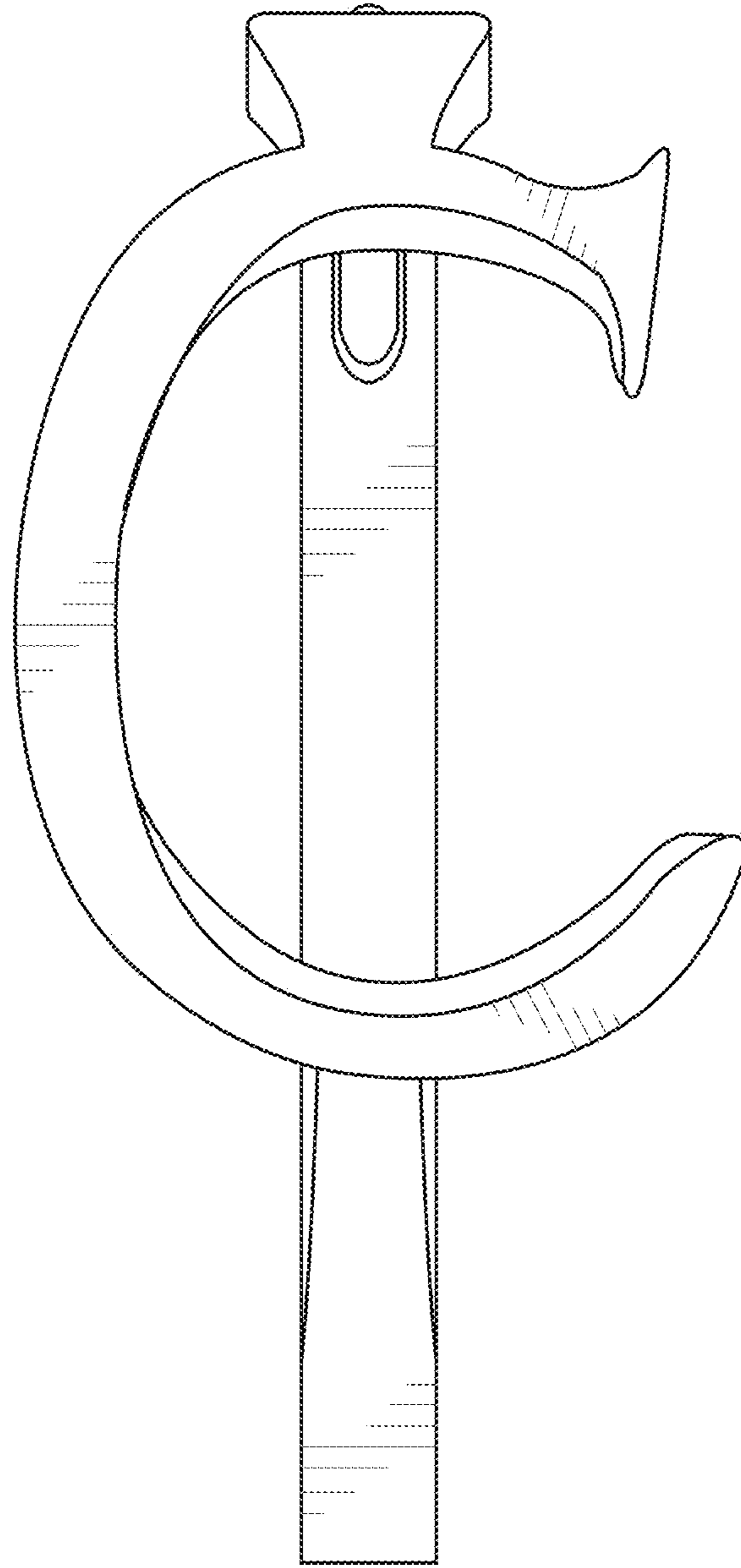


FIG. 12

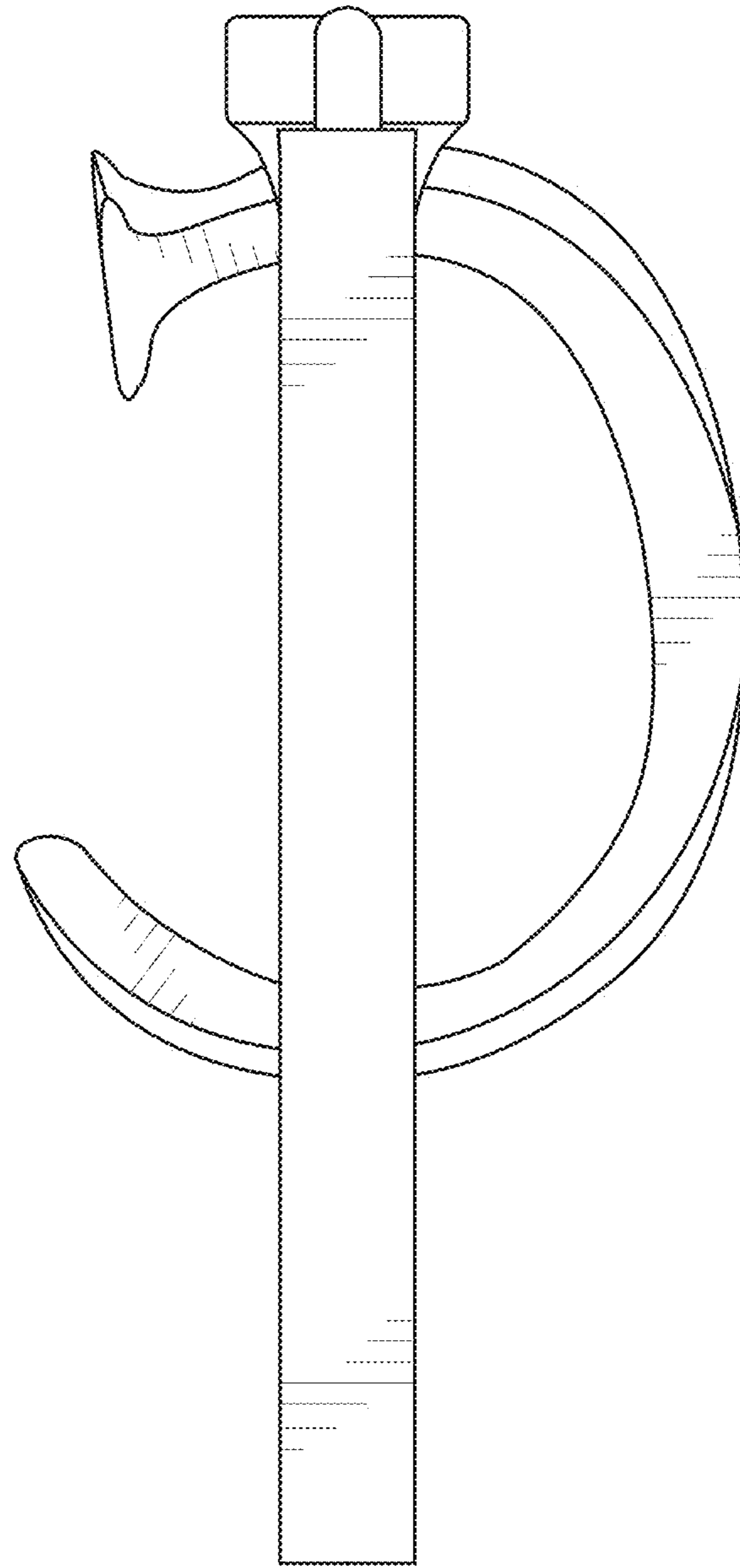


FIG. 13

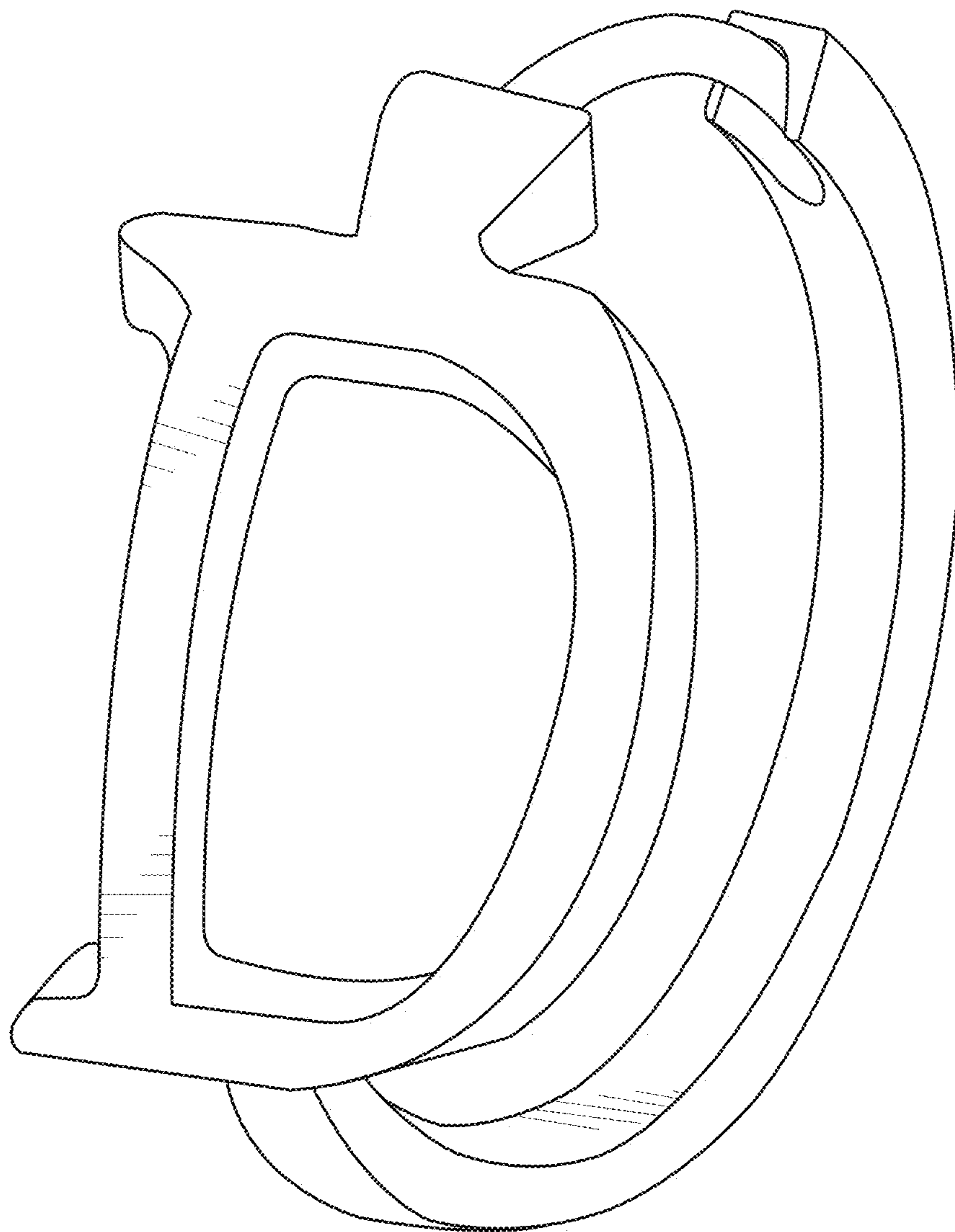


FIG. 14



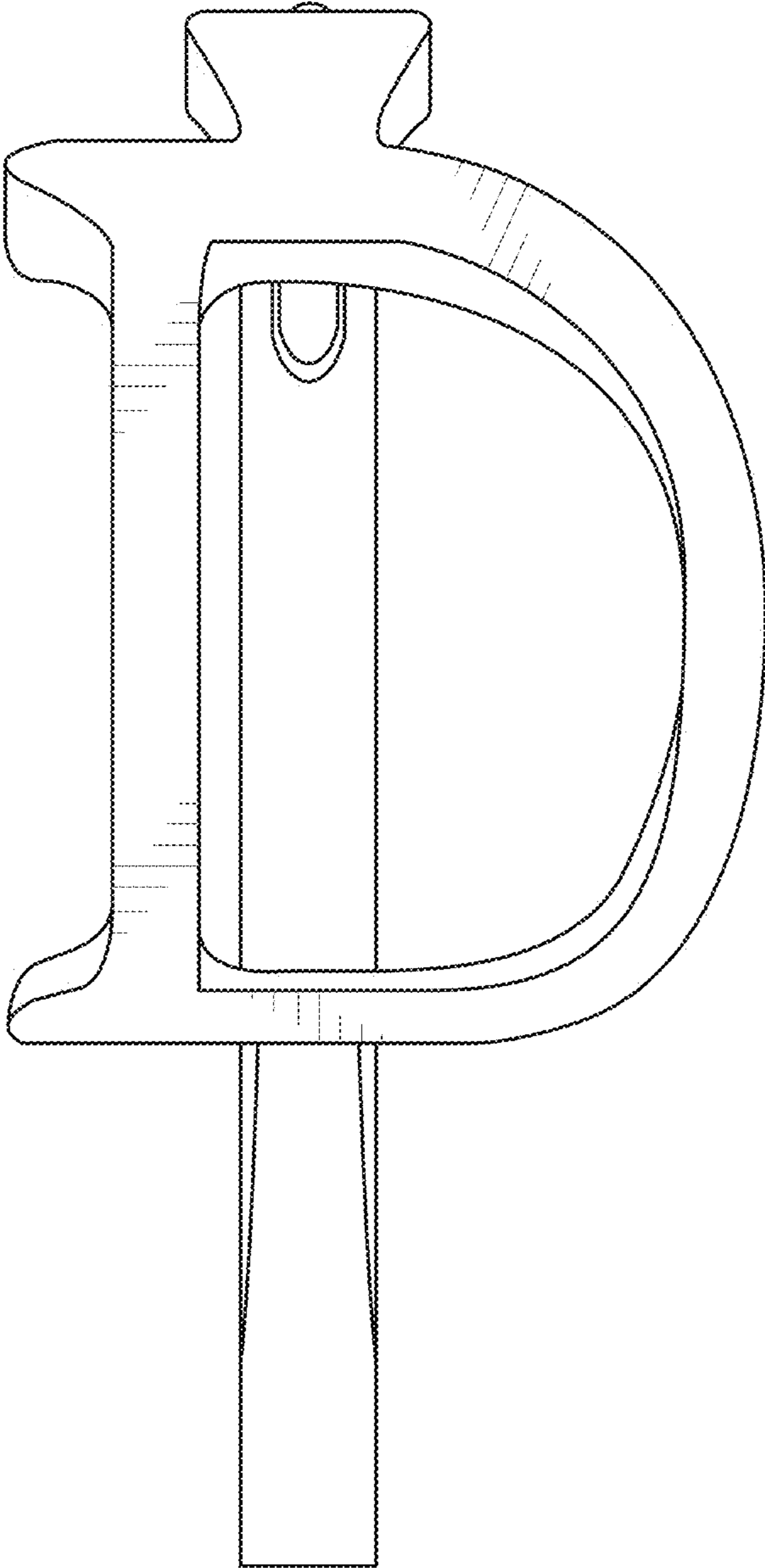


FIG. 15

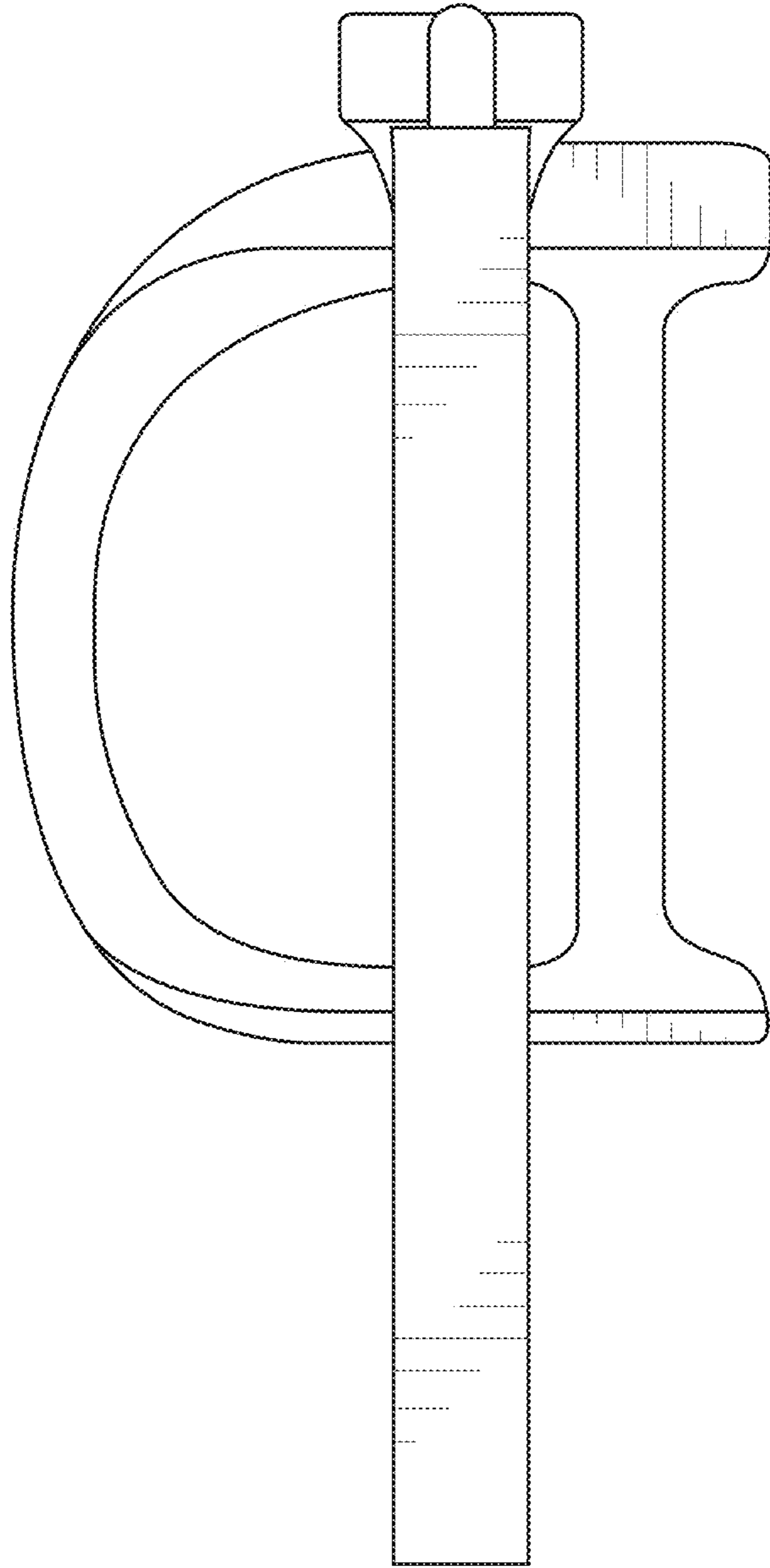


FIG. 16

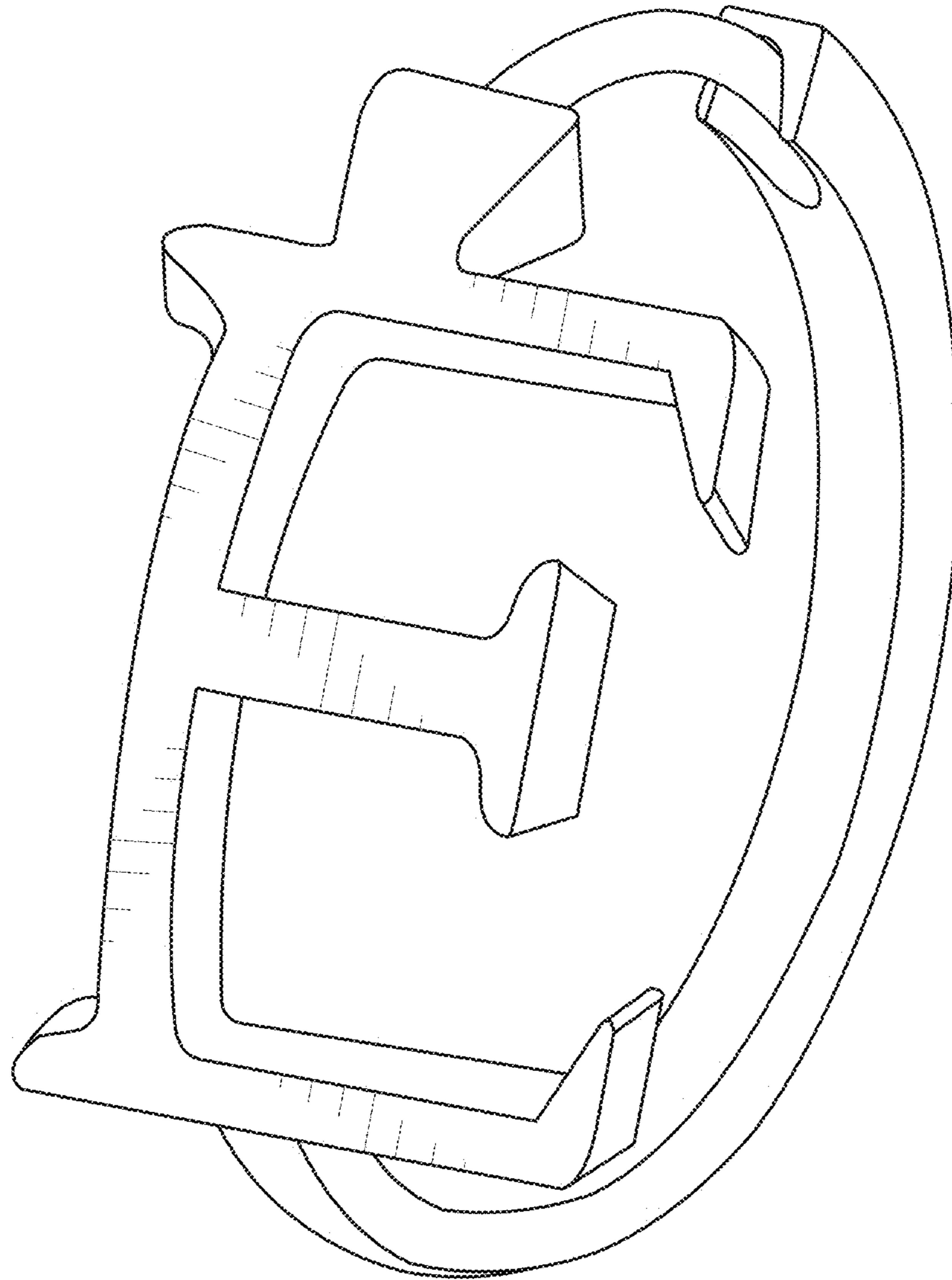


FIG. 17

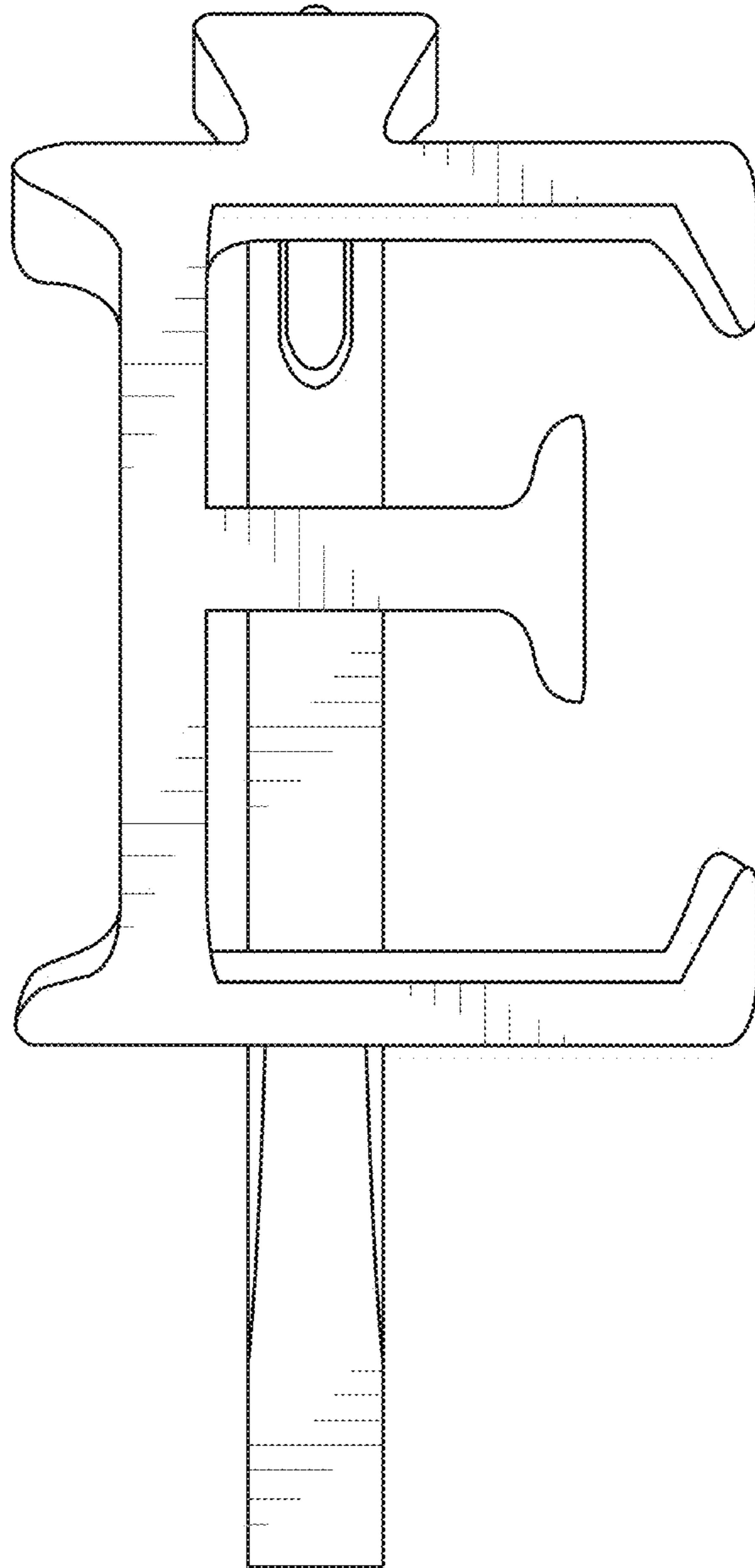


FIG. 18

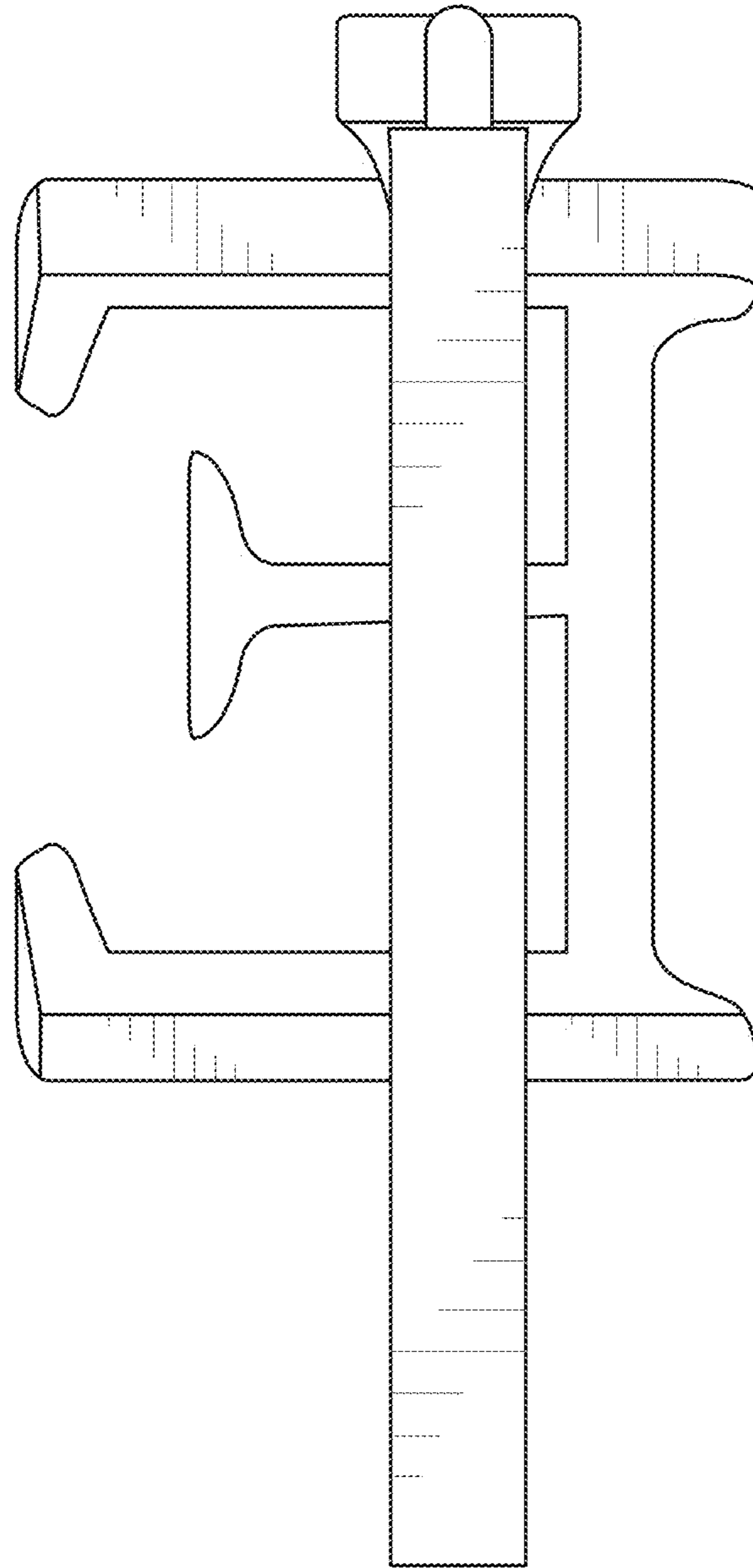


FIG. 19

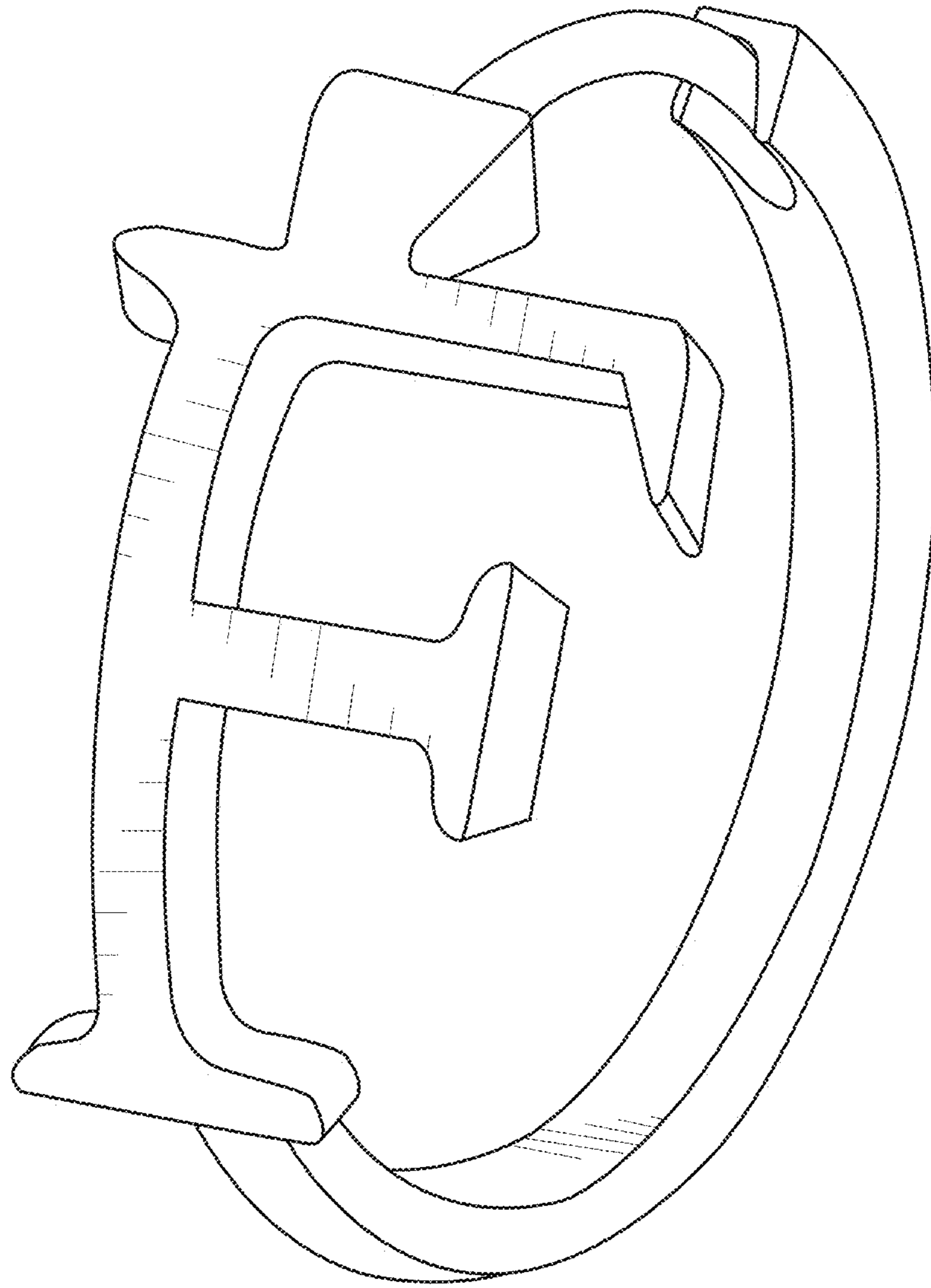


FIG. 20

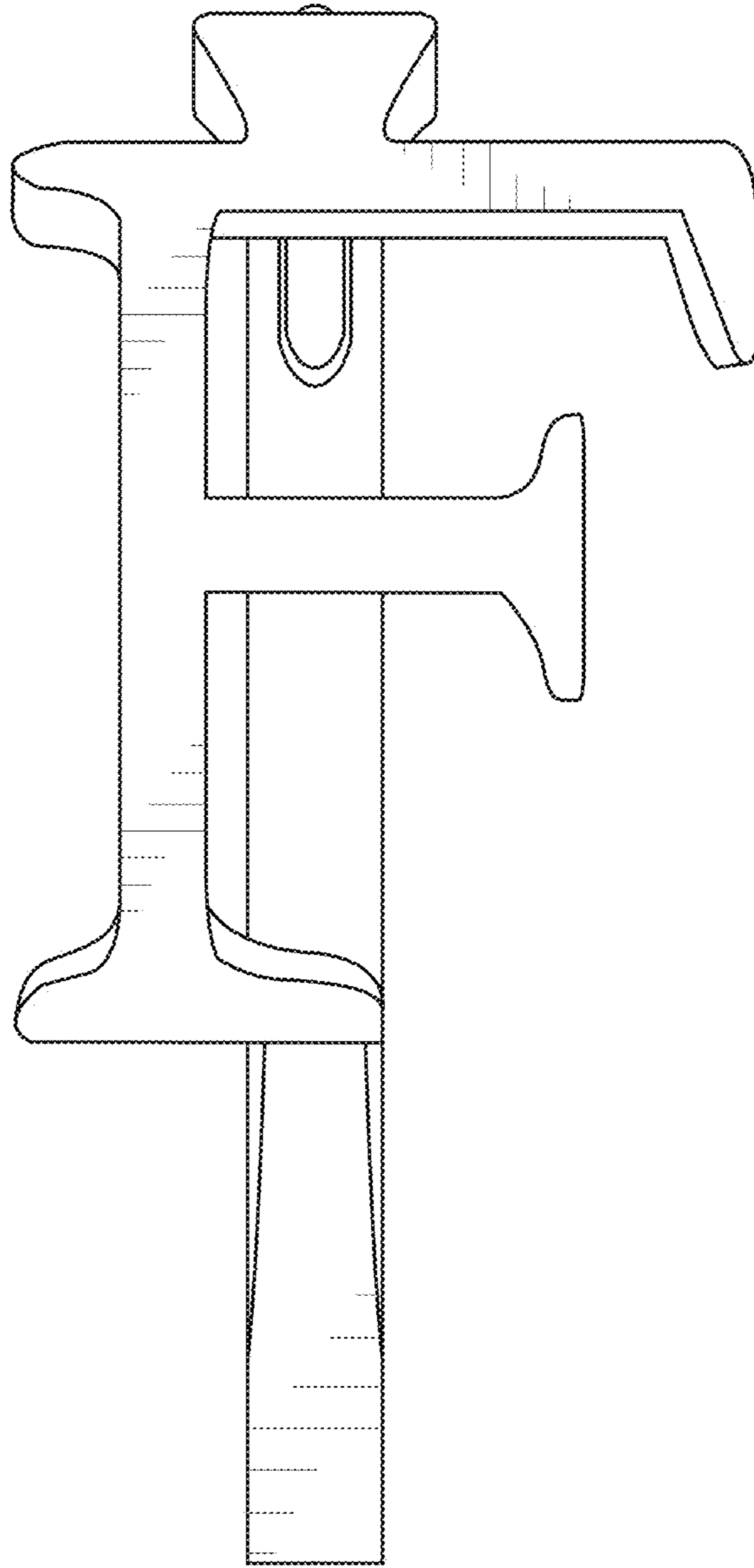


FIG. 21

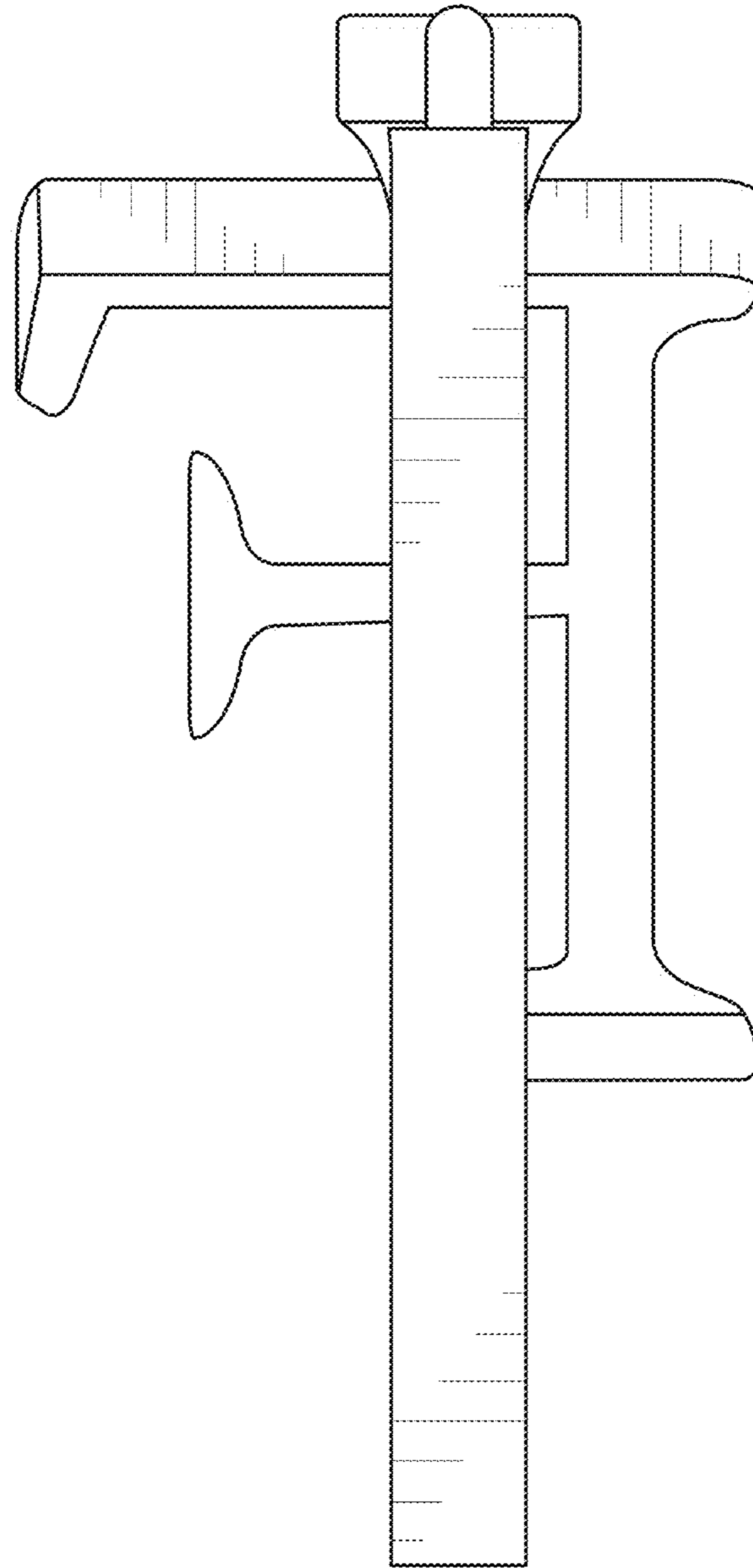


FIG. 22



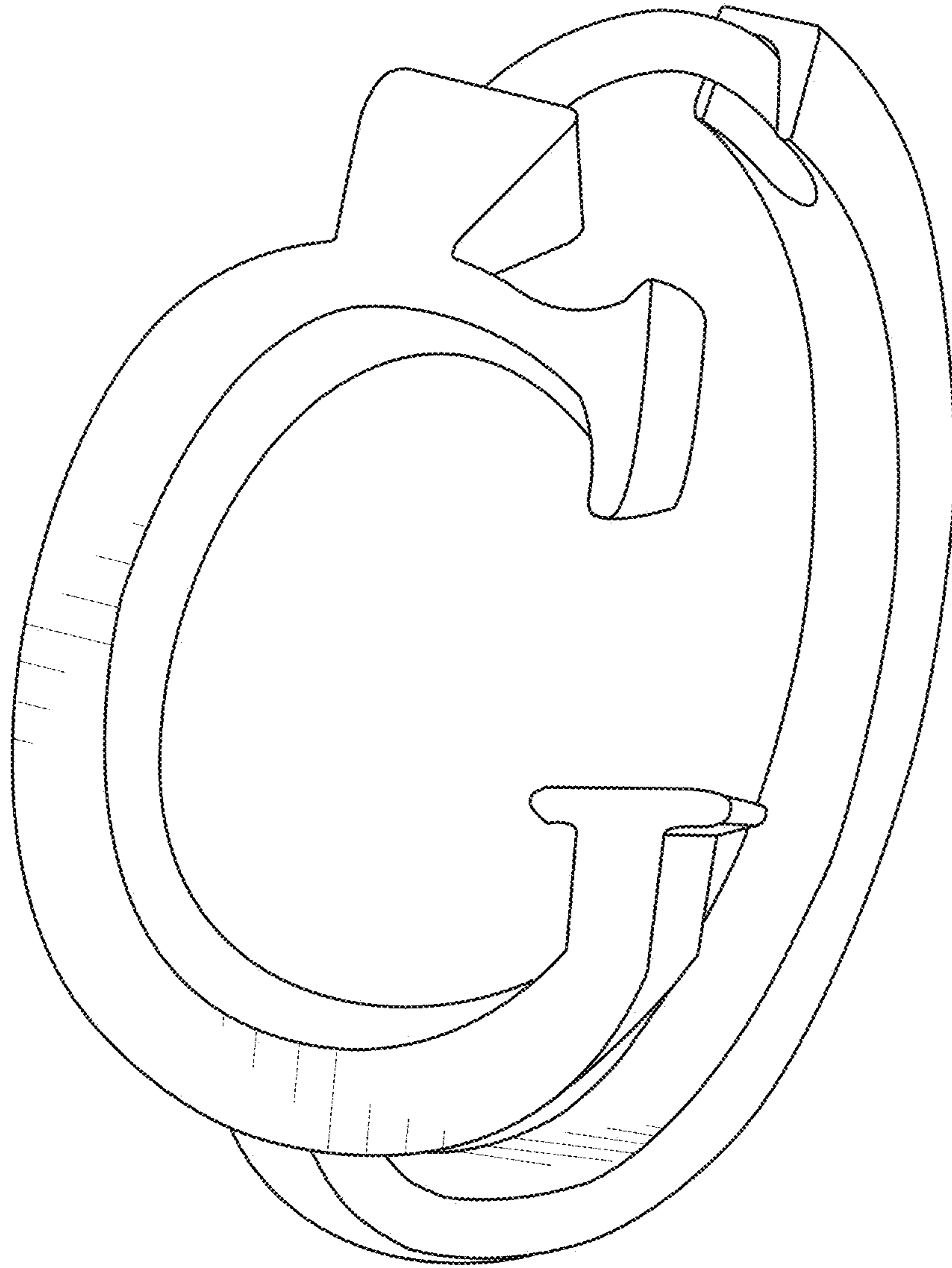


FIG. 23

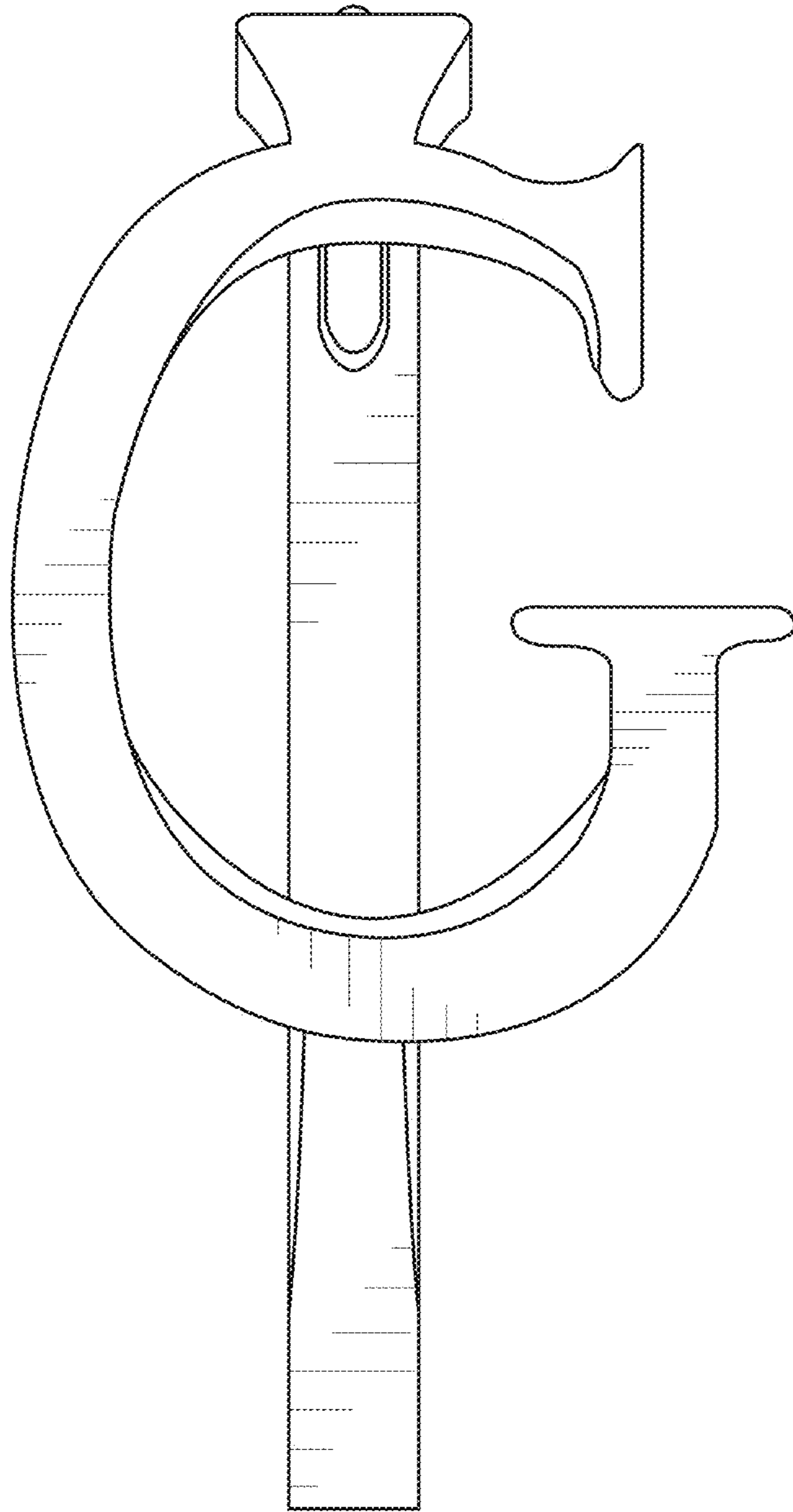


FIG. 24

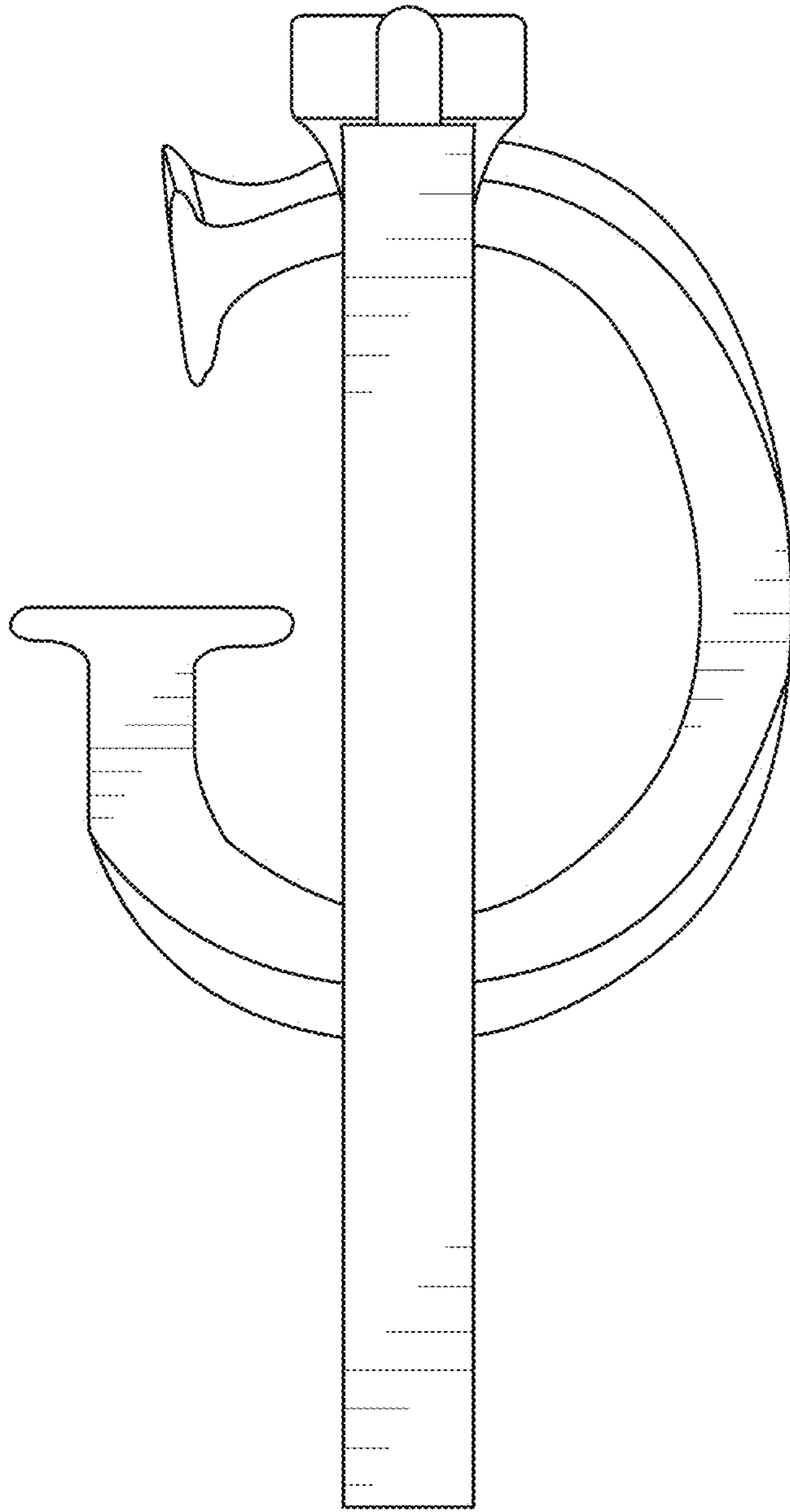


FIG. 25

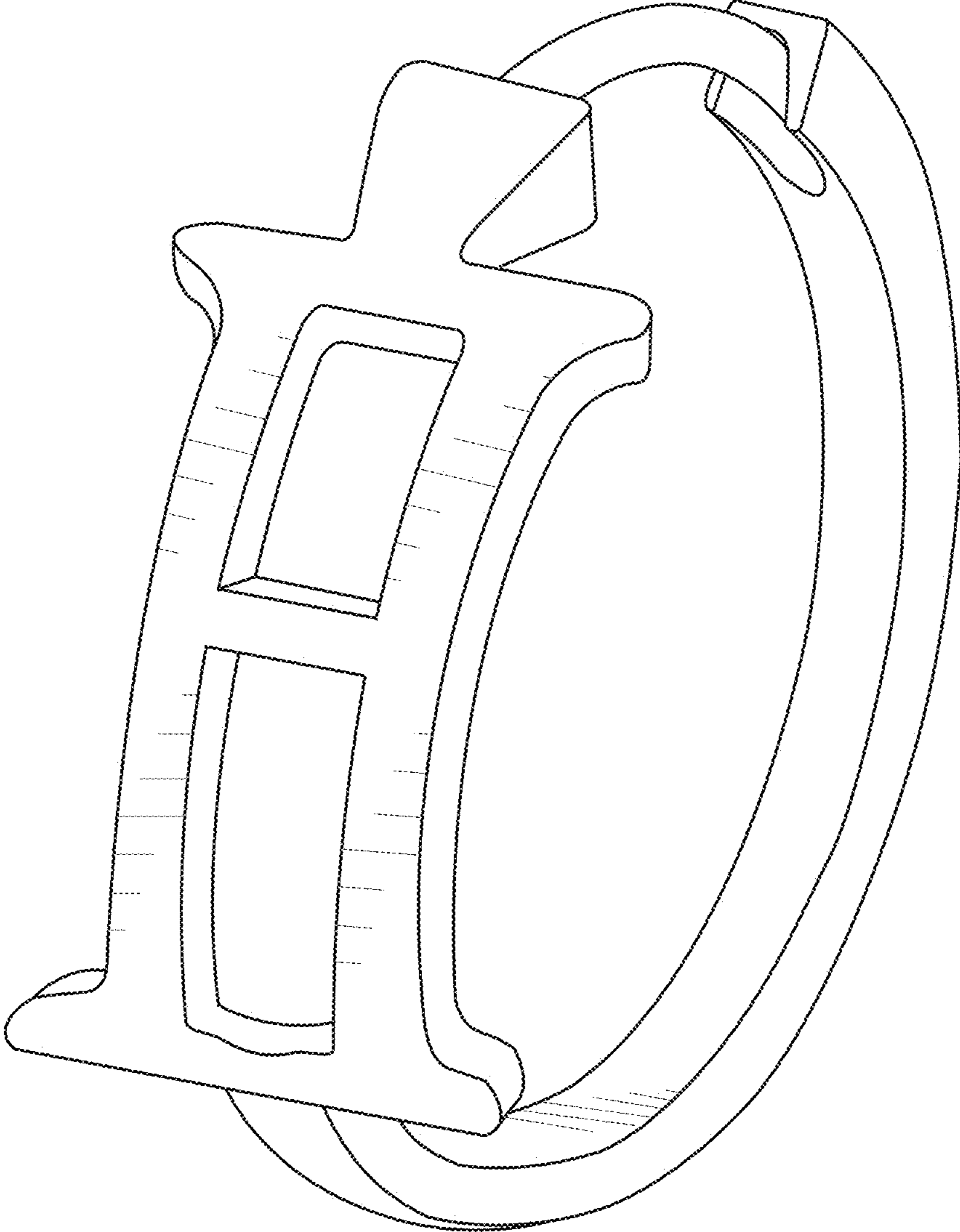


FIG. 26

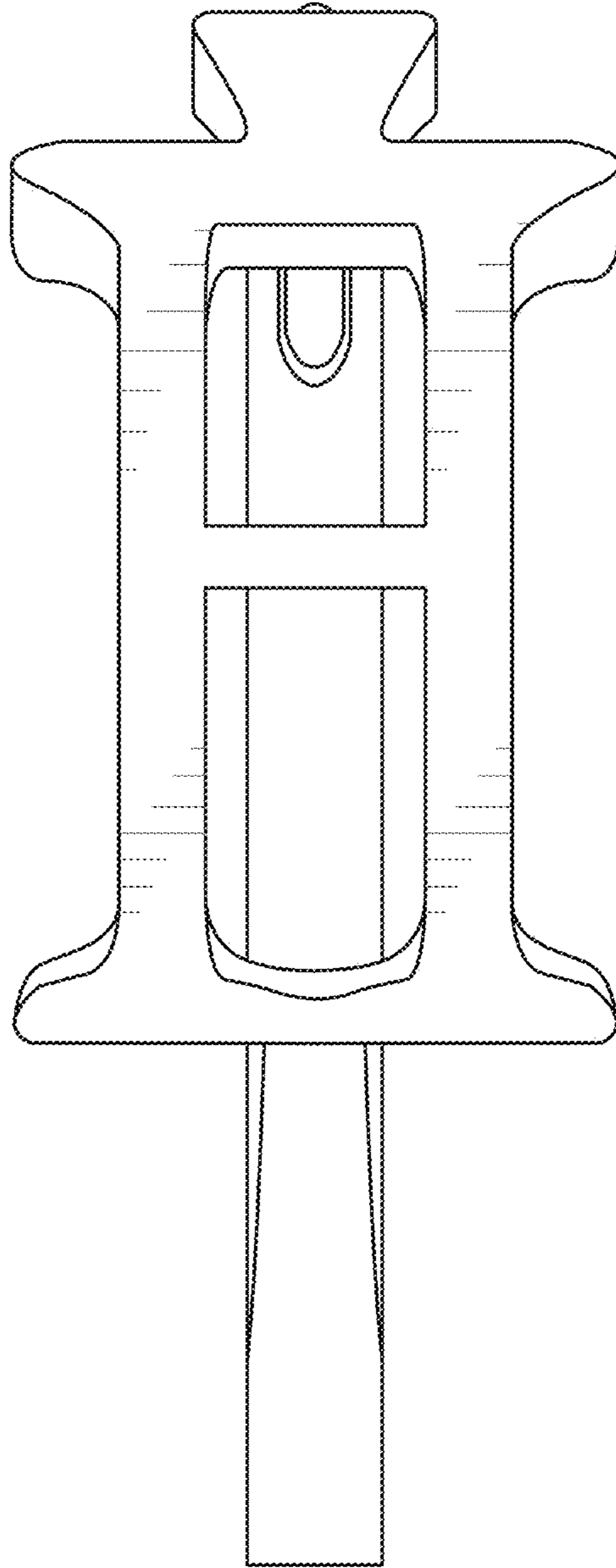


FIG. 27

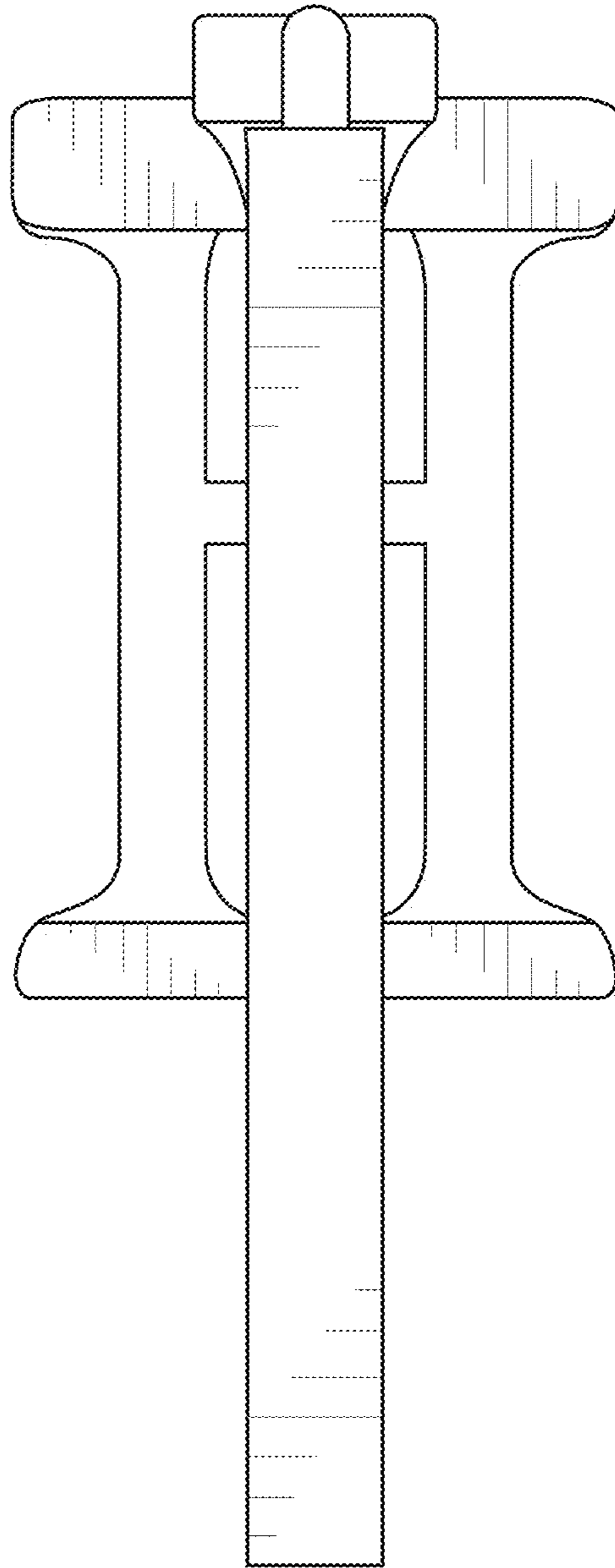


FIG. 28

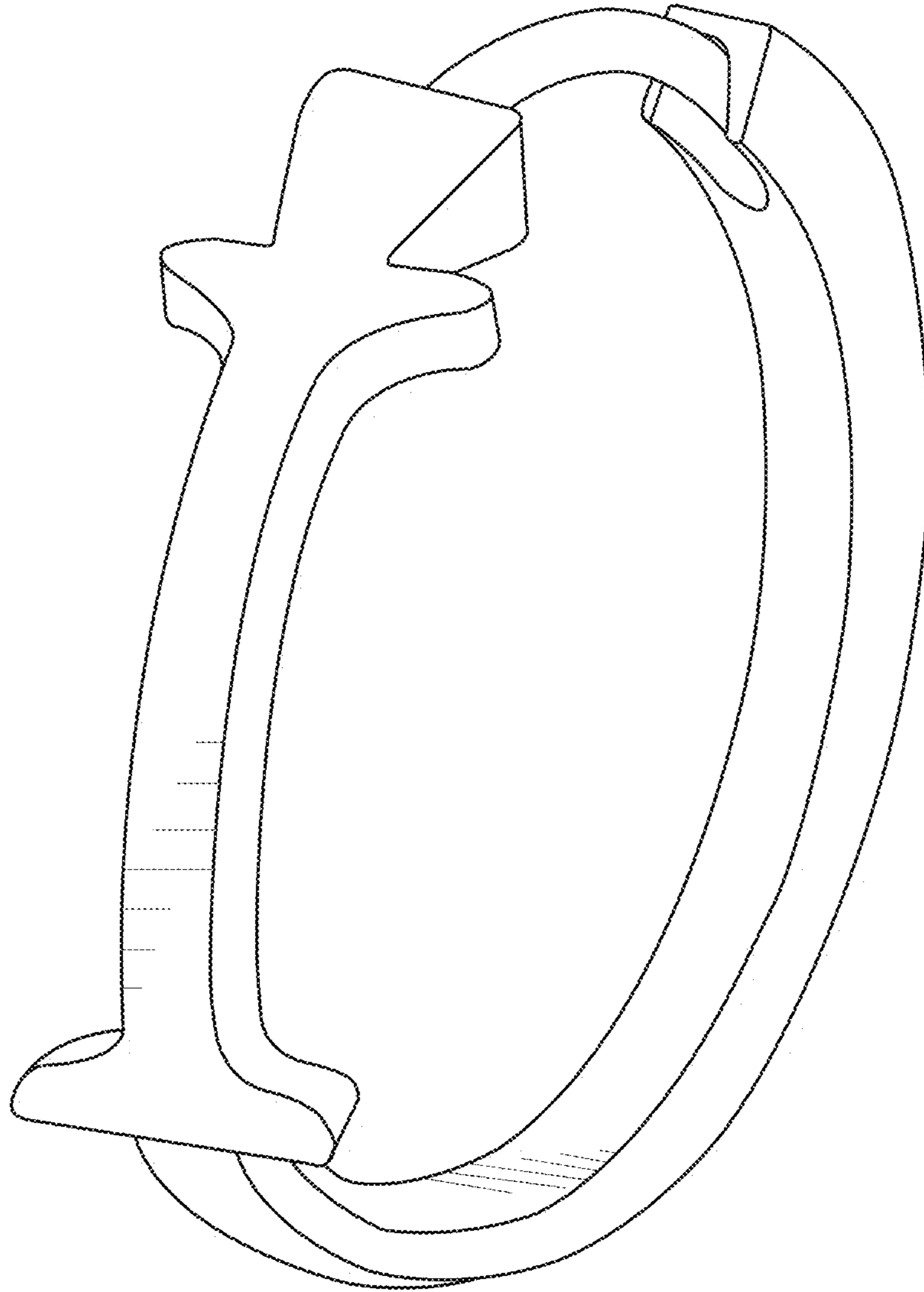


FIG. 29

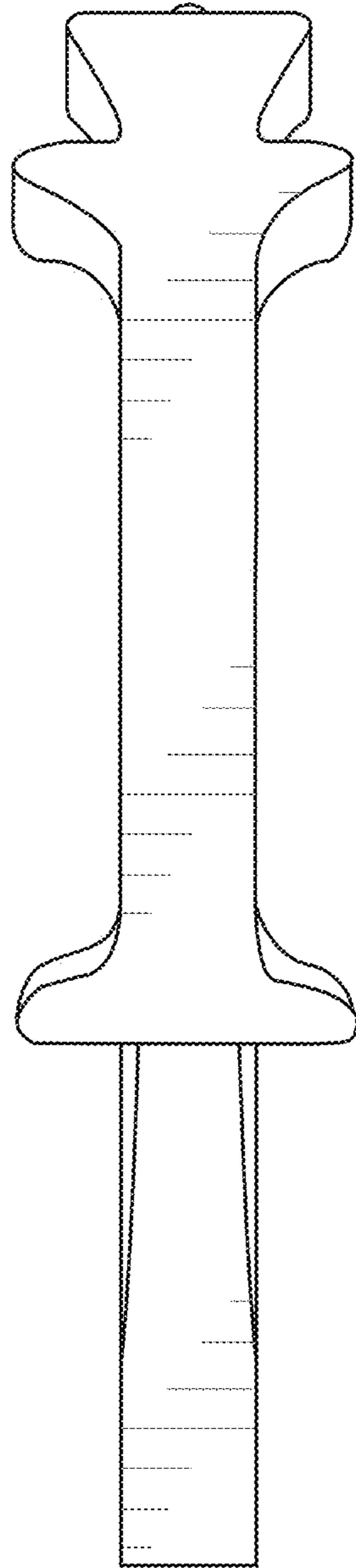


FIG. 30



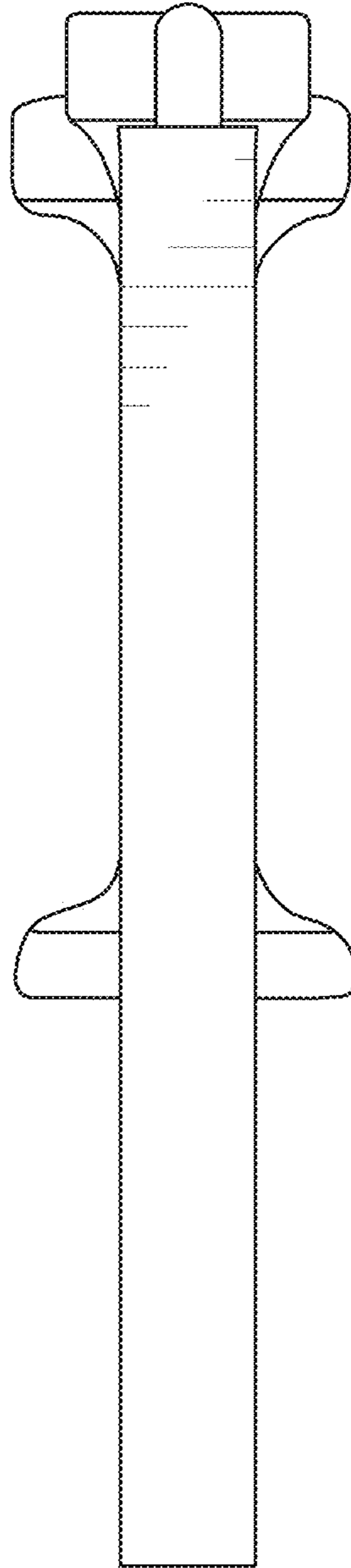


FIG. 31

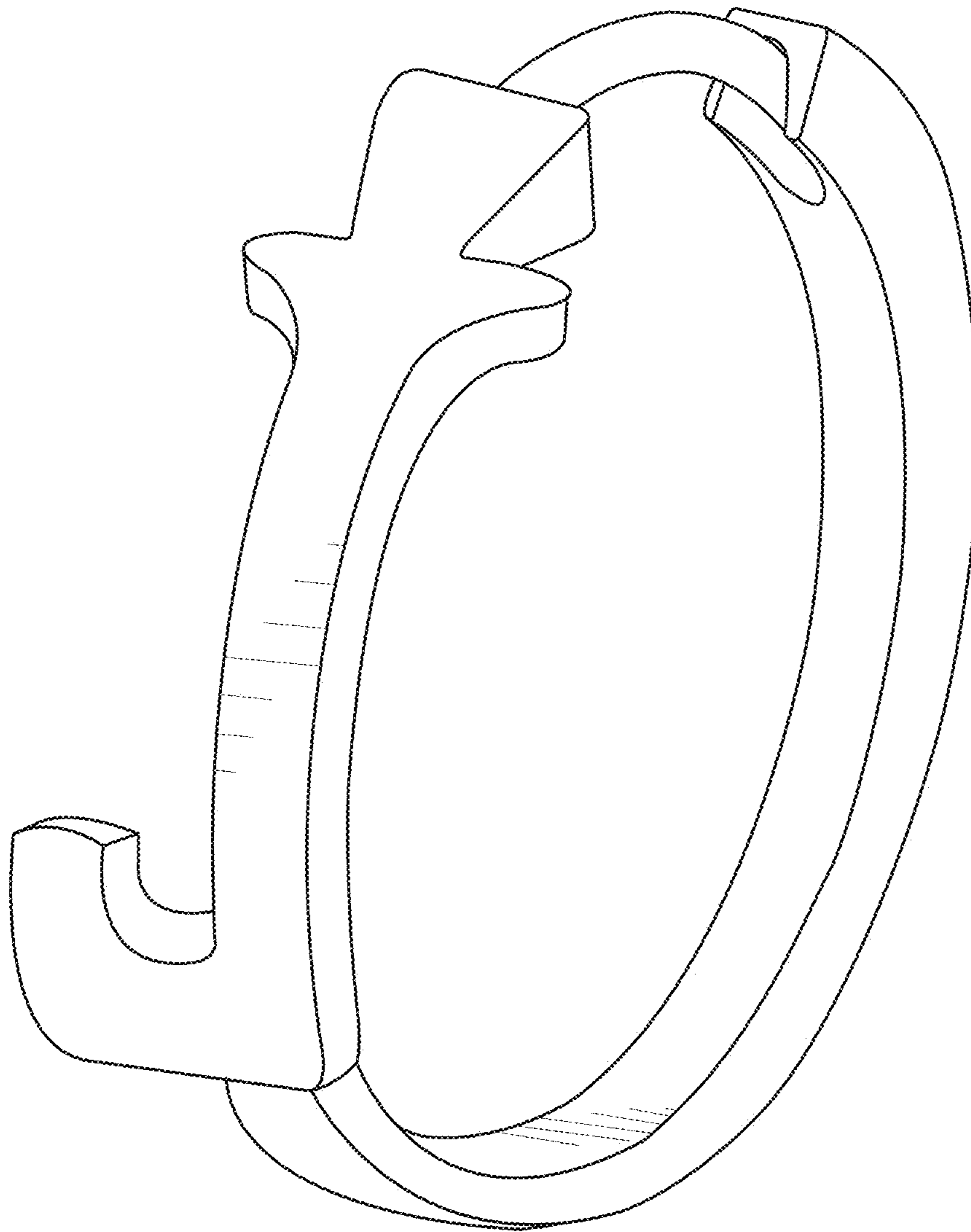


FIG. 32

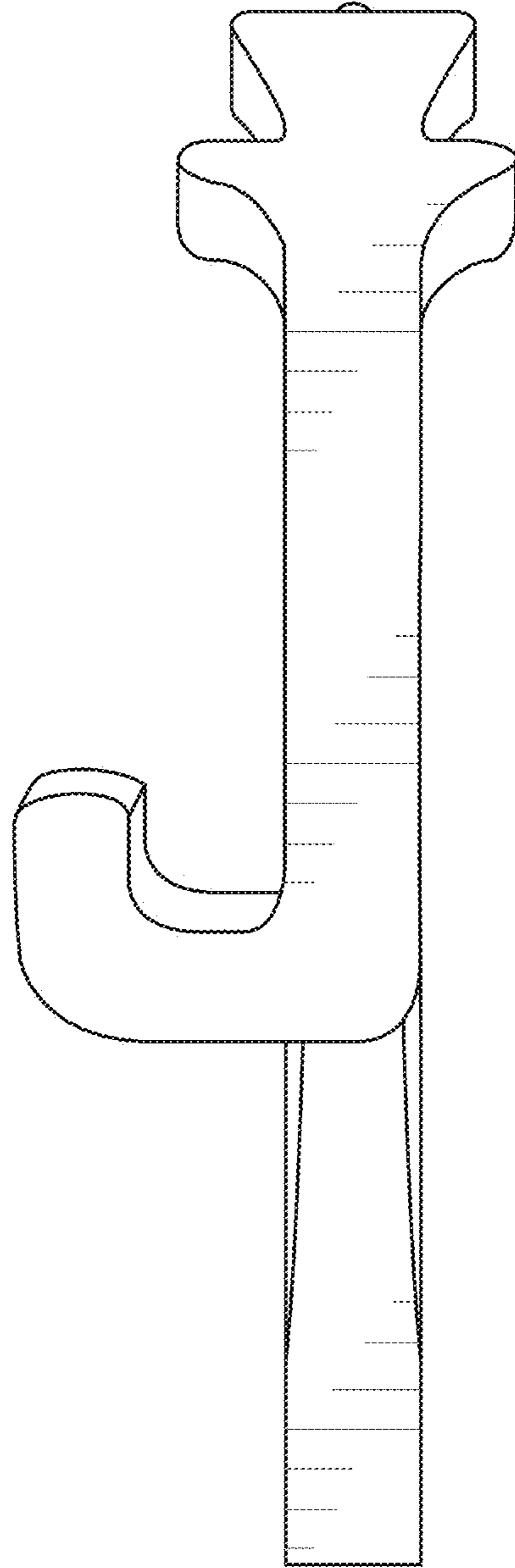


FIG. 33

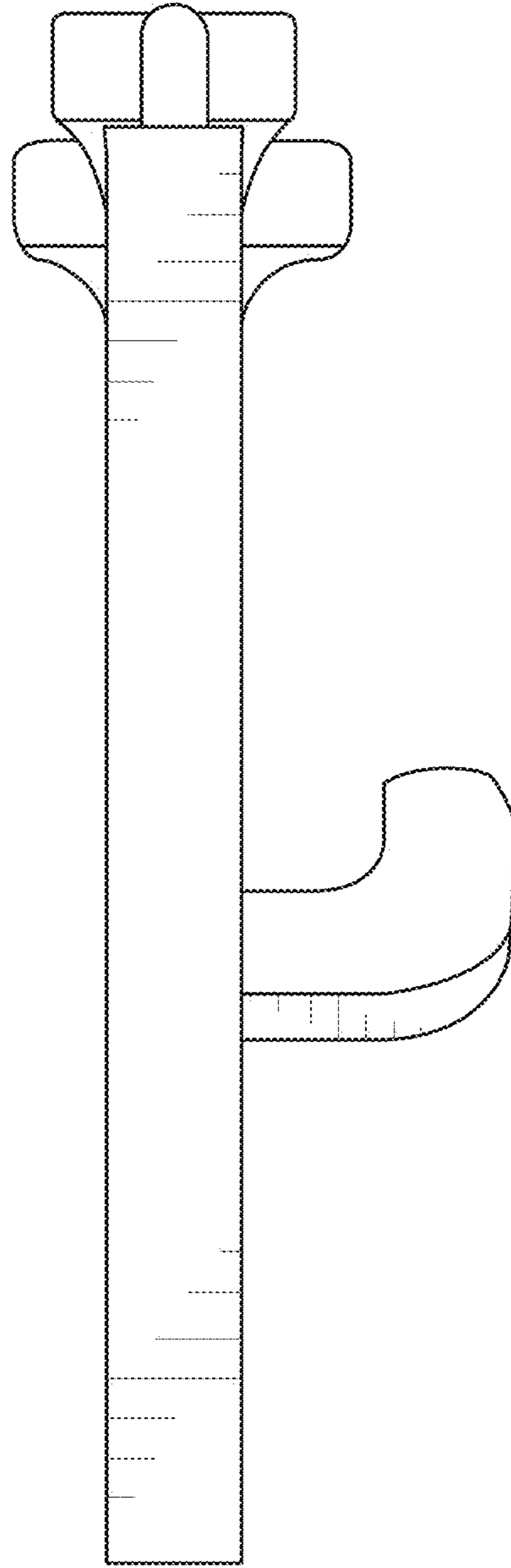


FIG. 34

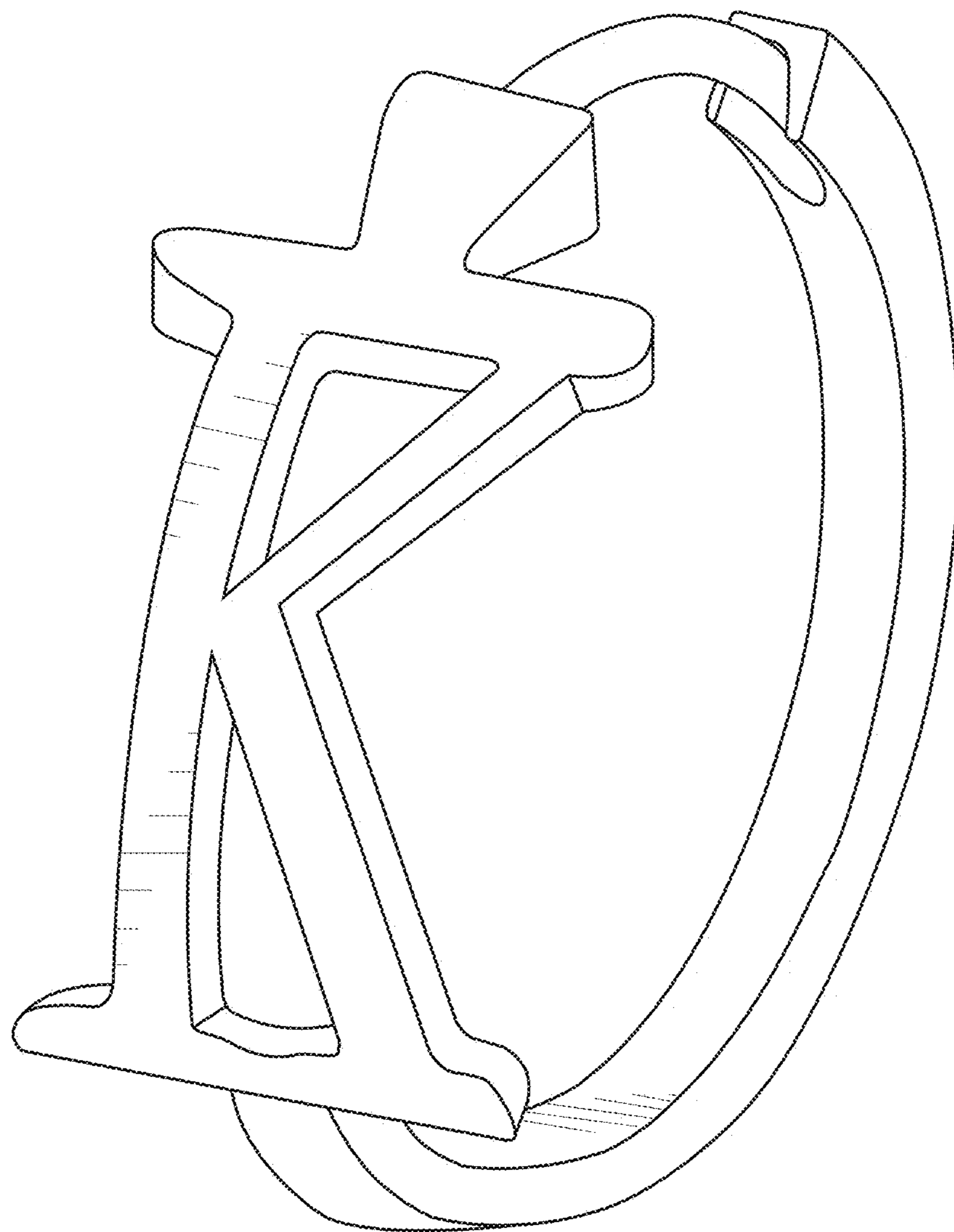


FIG. 35

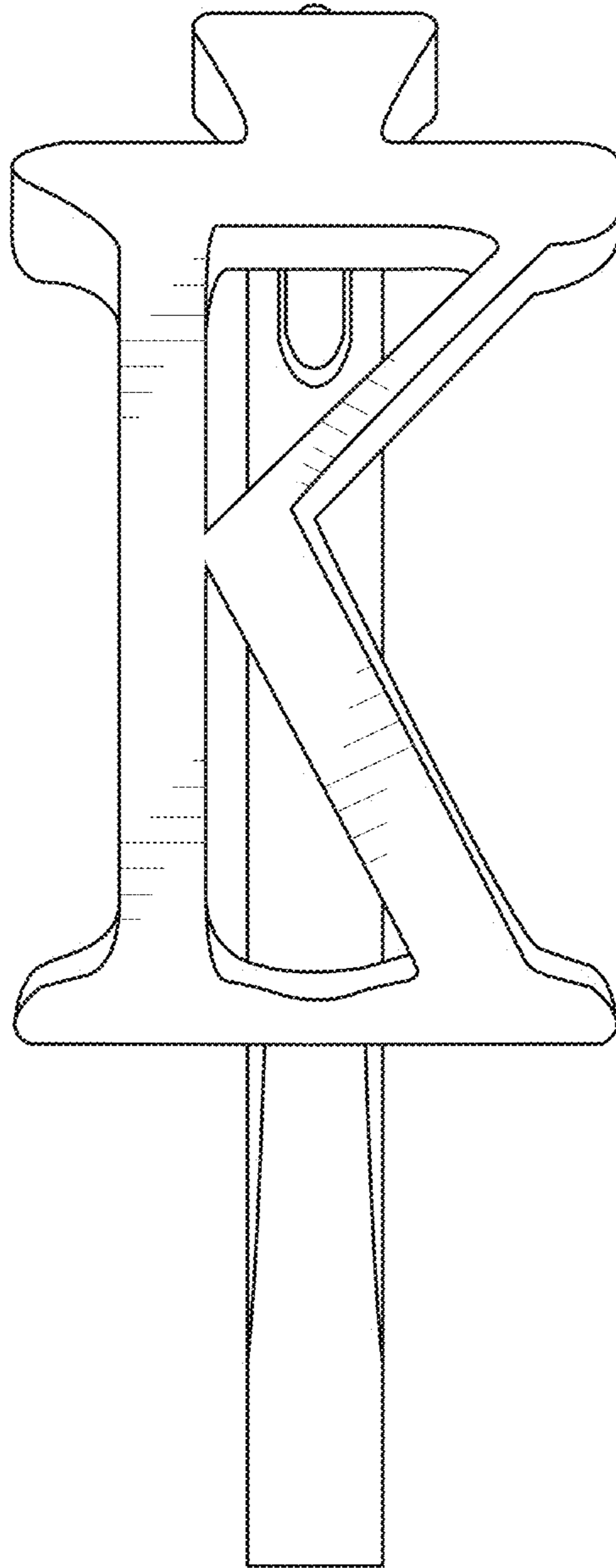


FIG. 36

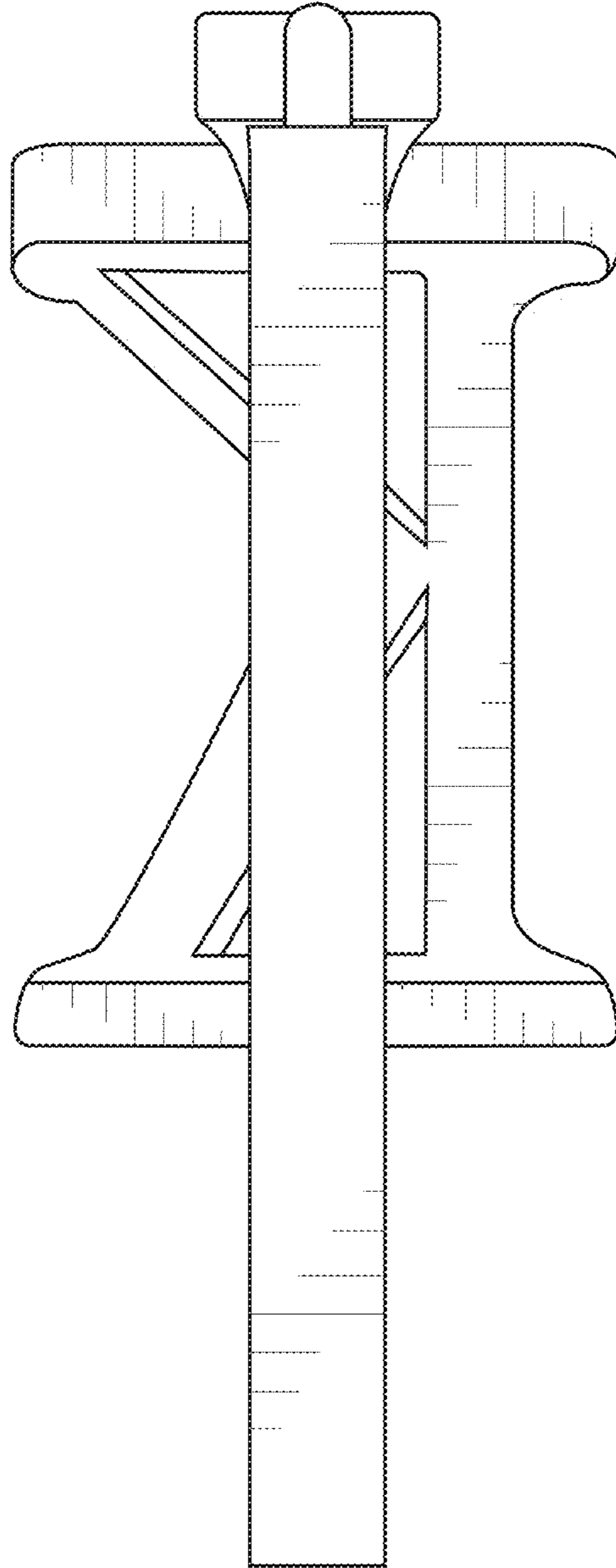


FIG. 37

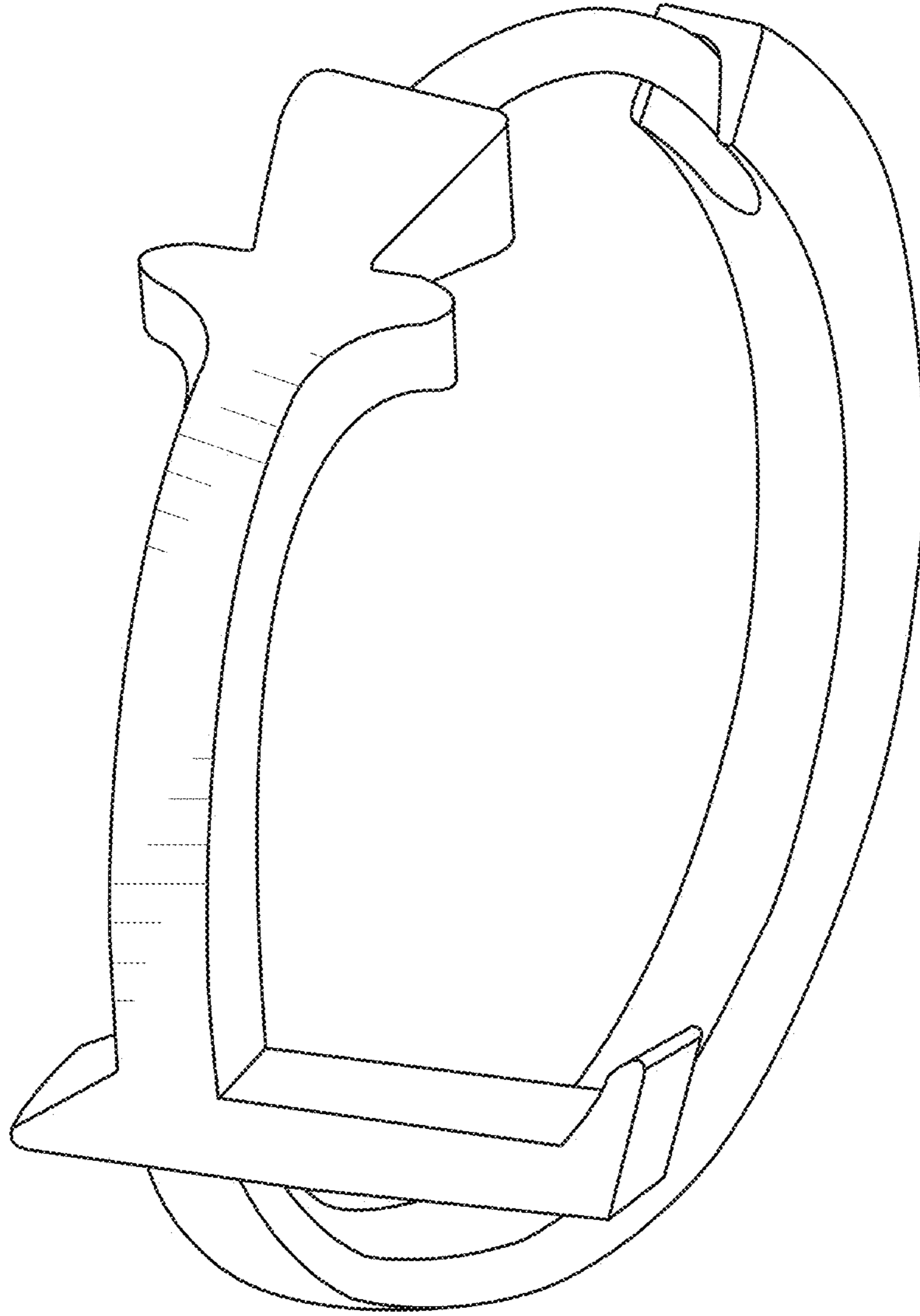


FIG. 38



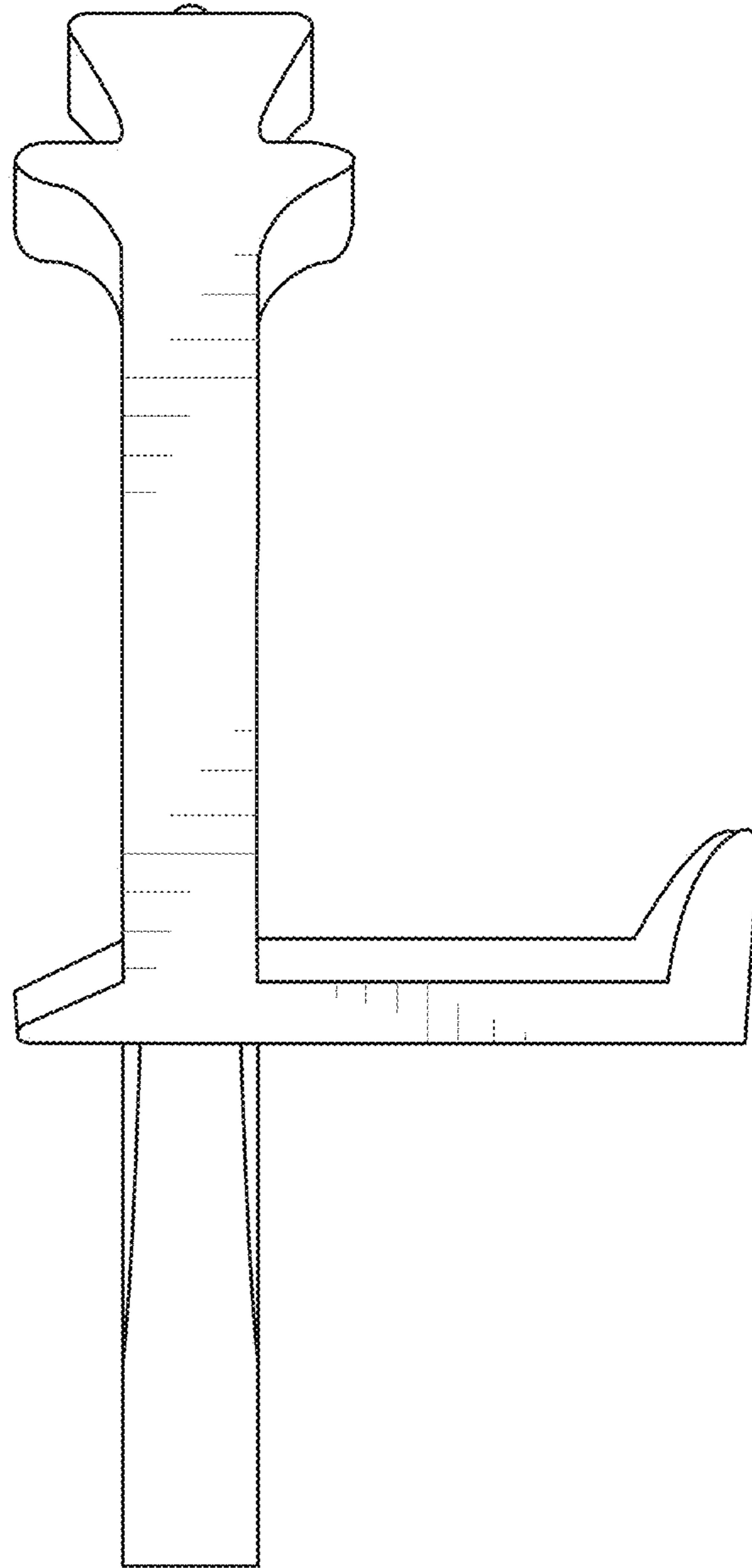


FIG. 39

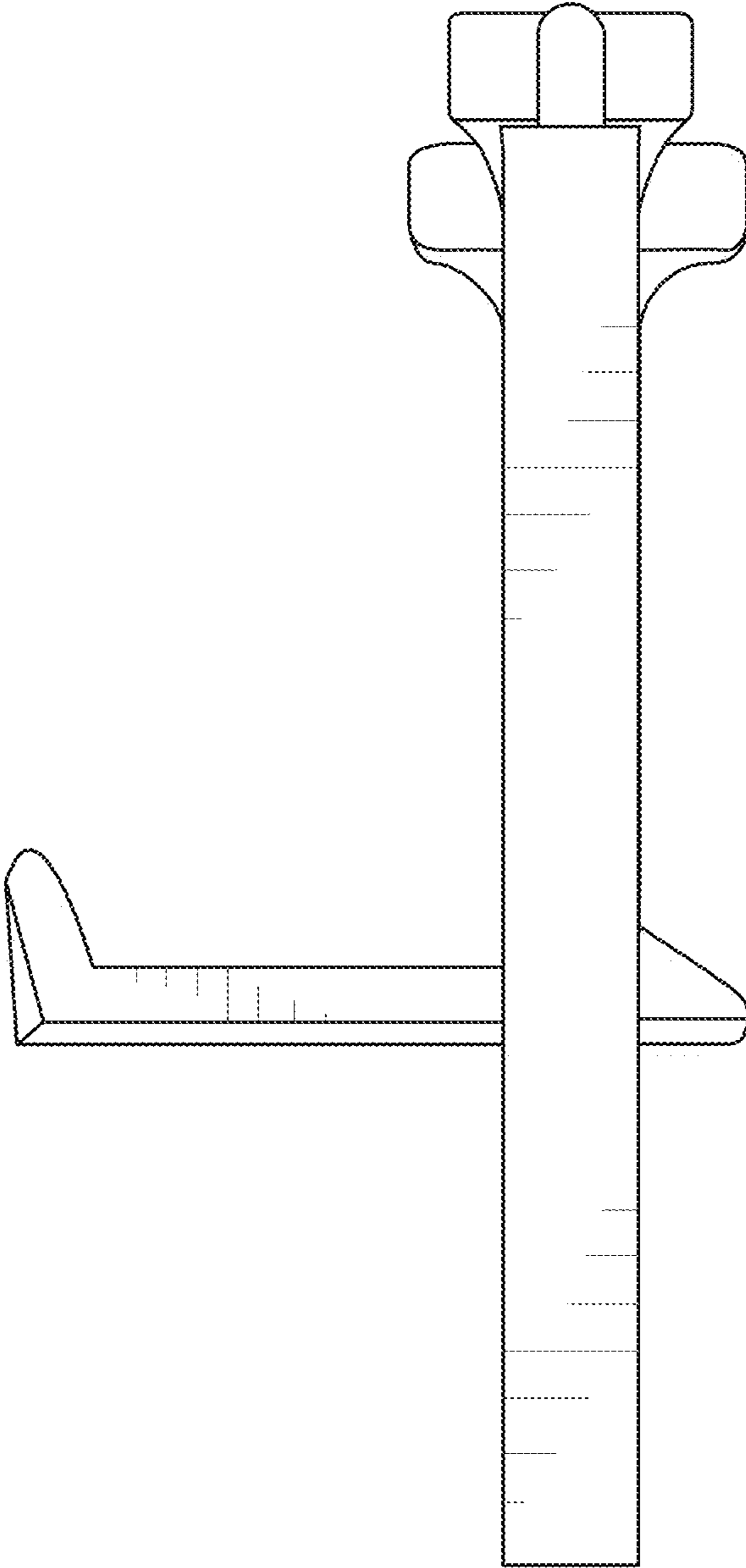


FIG. 40

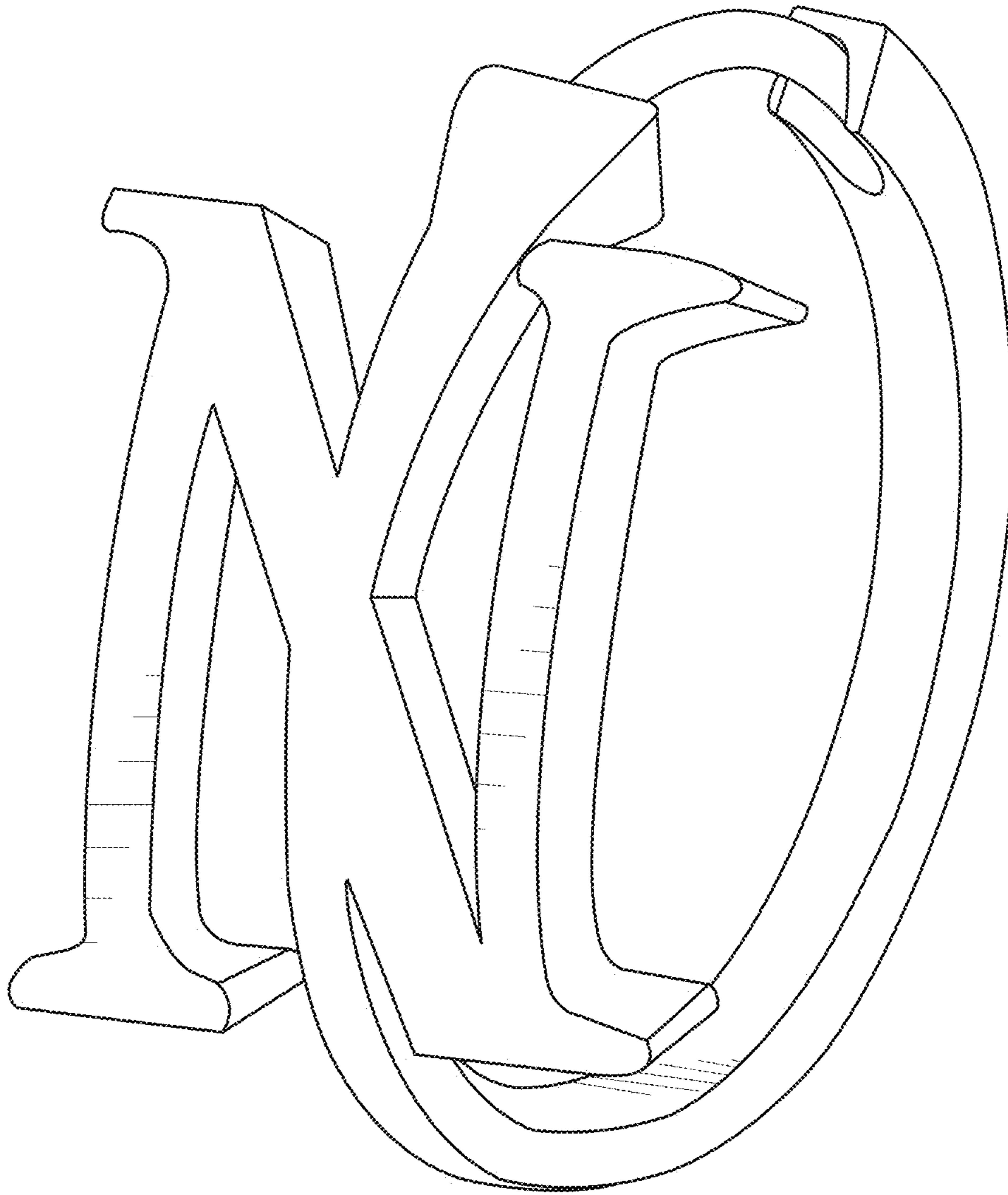


FIG. 41

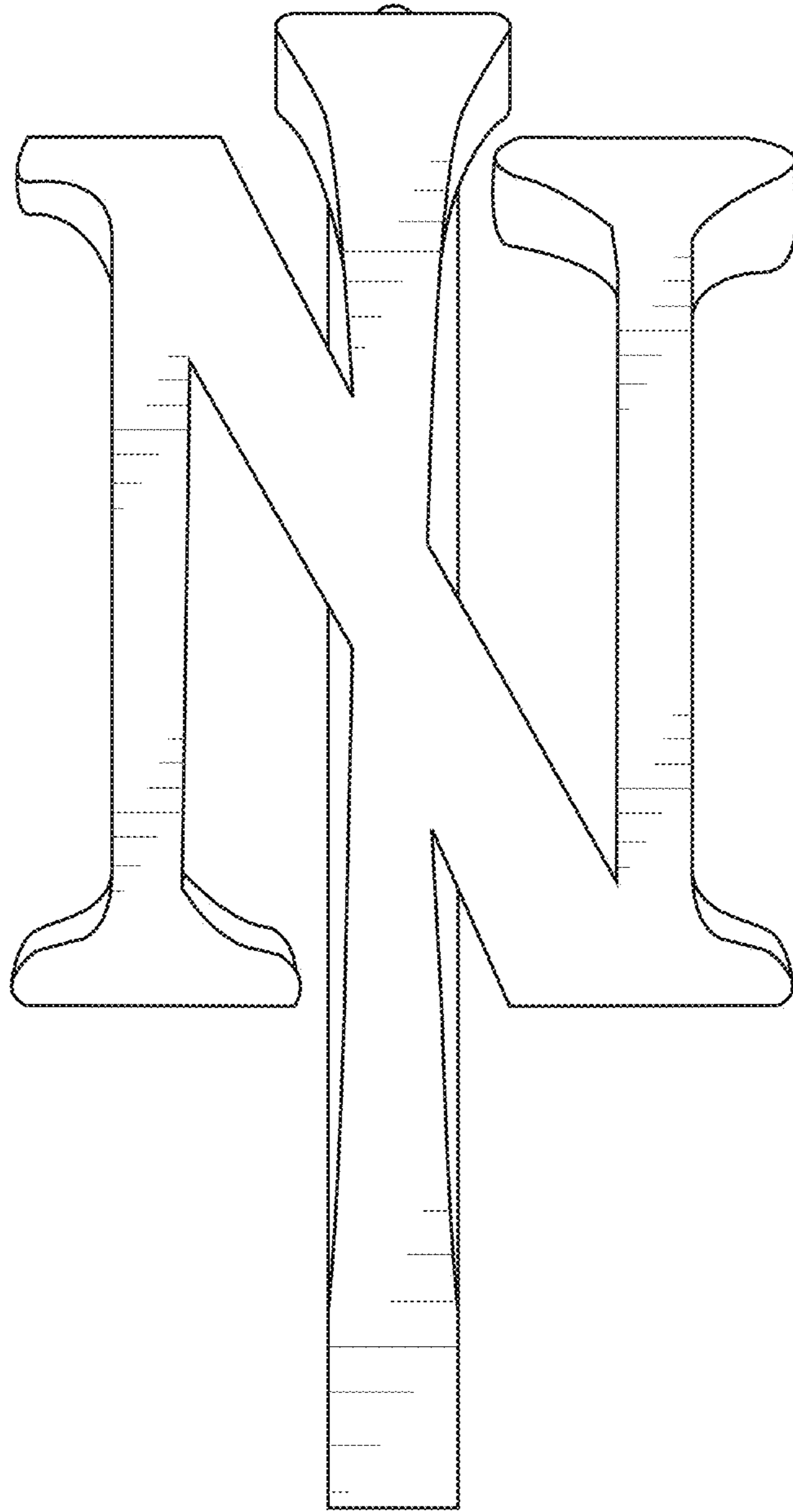


FIG. 42

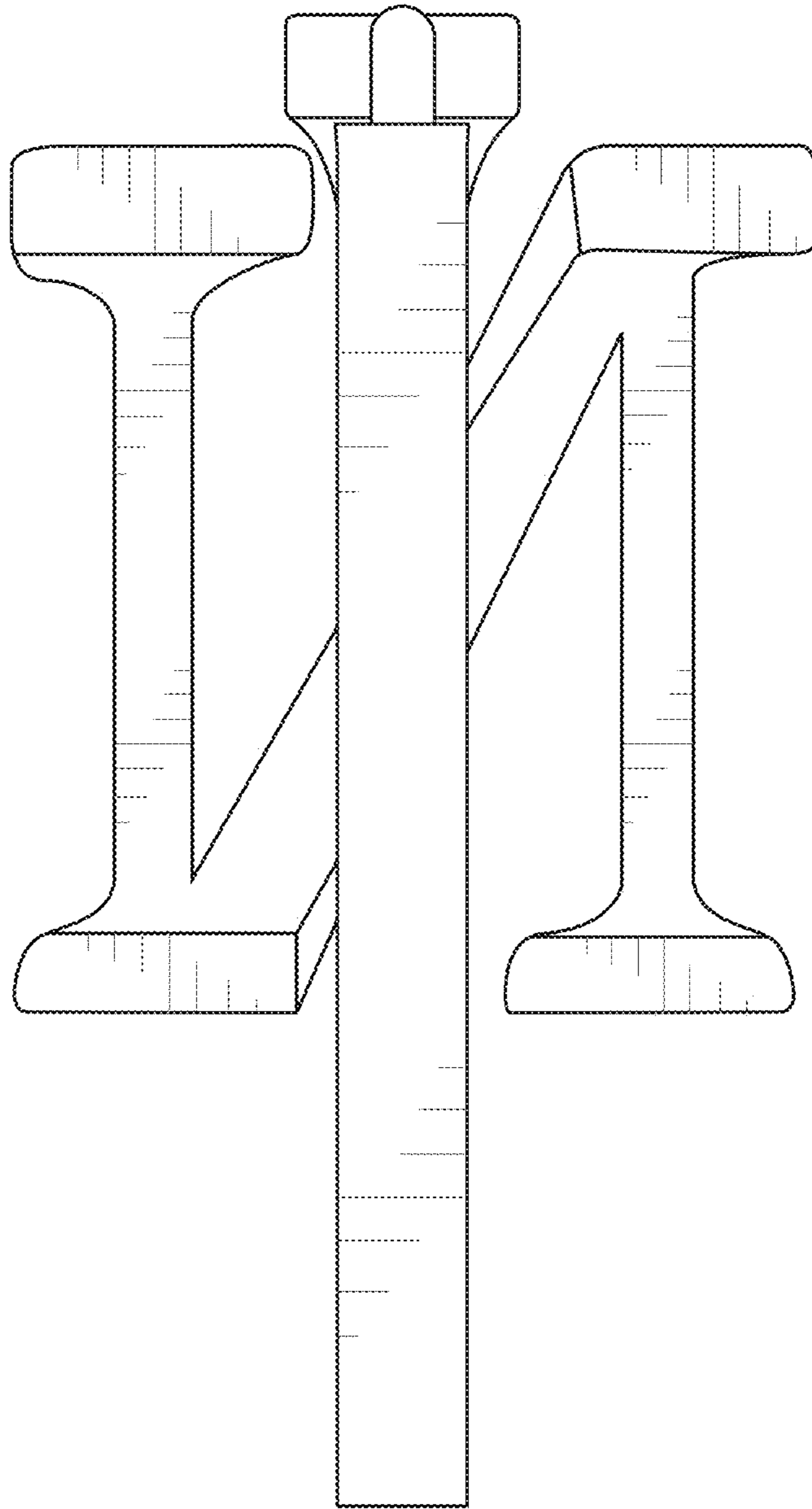


FIG. 43

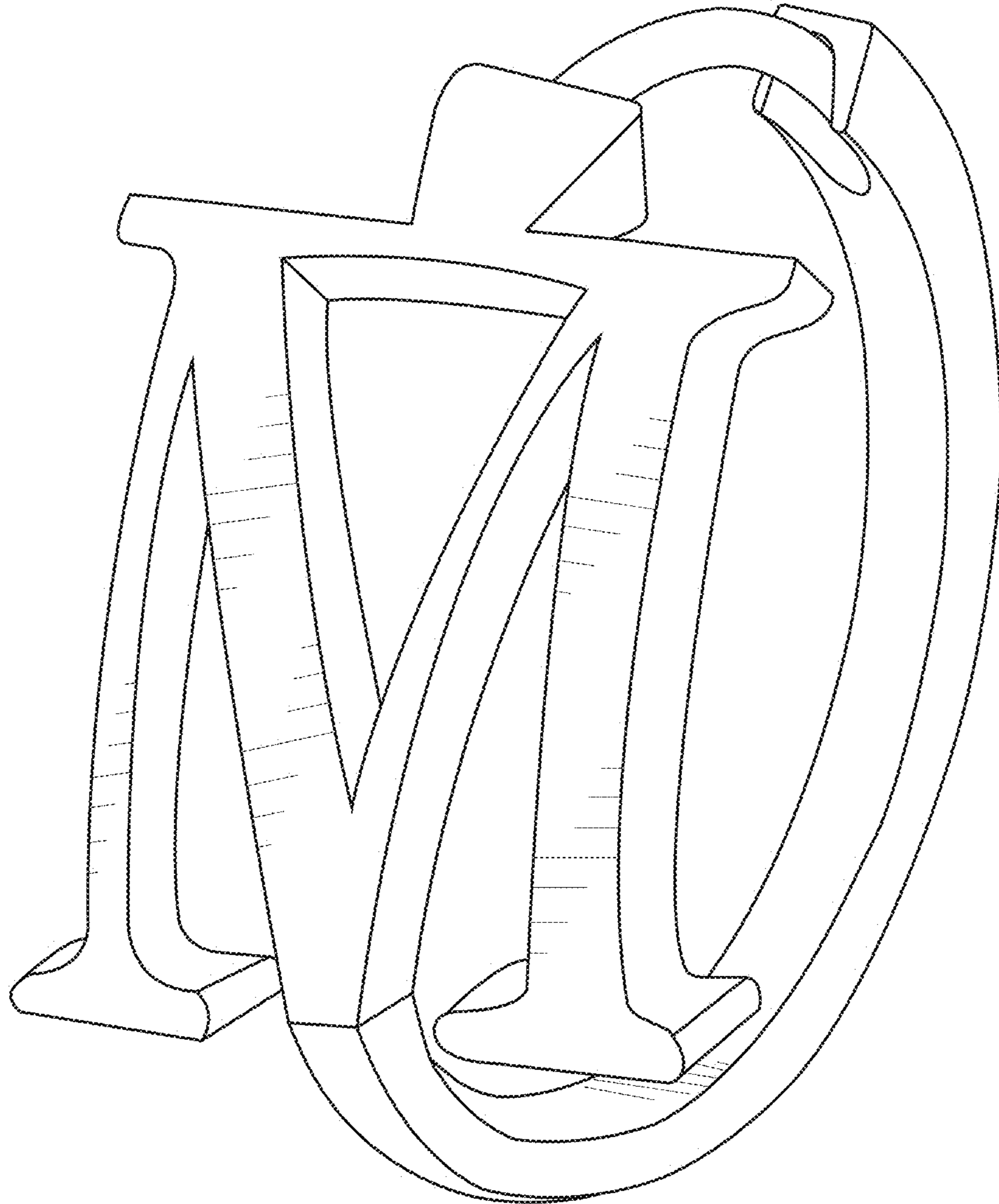


FIG. 44

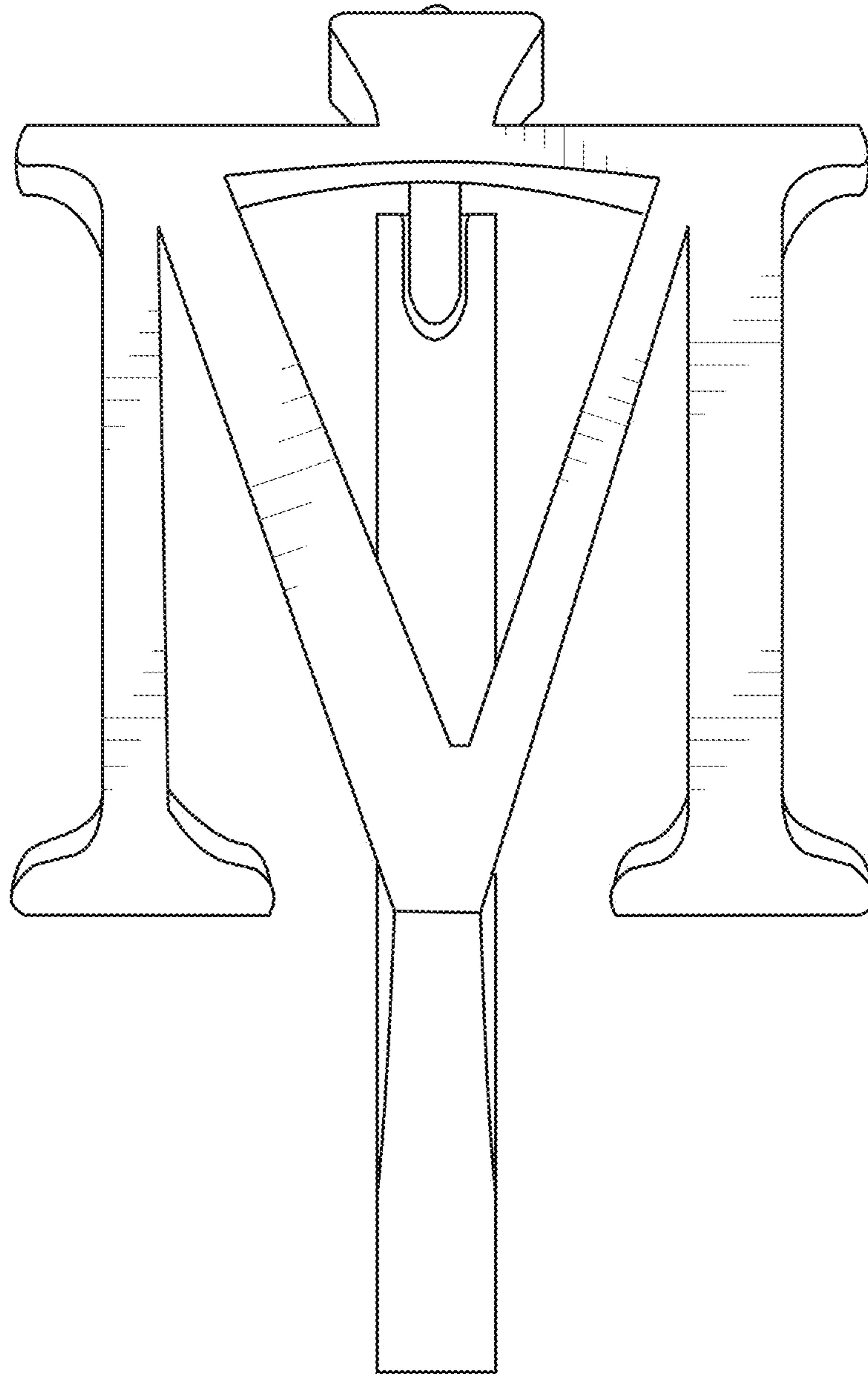


FIG. 45

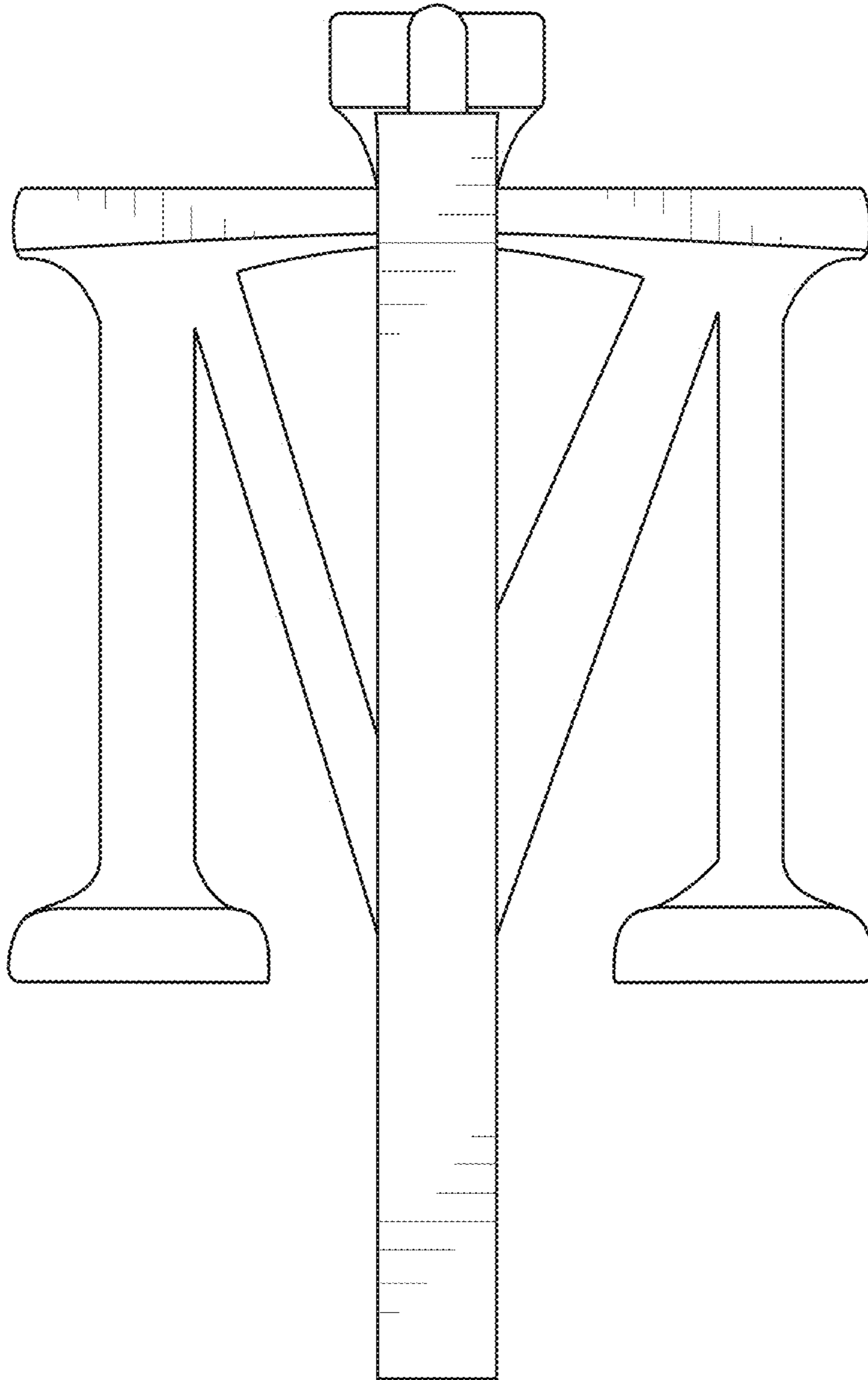


FIG. 46



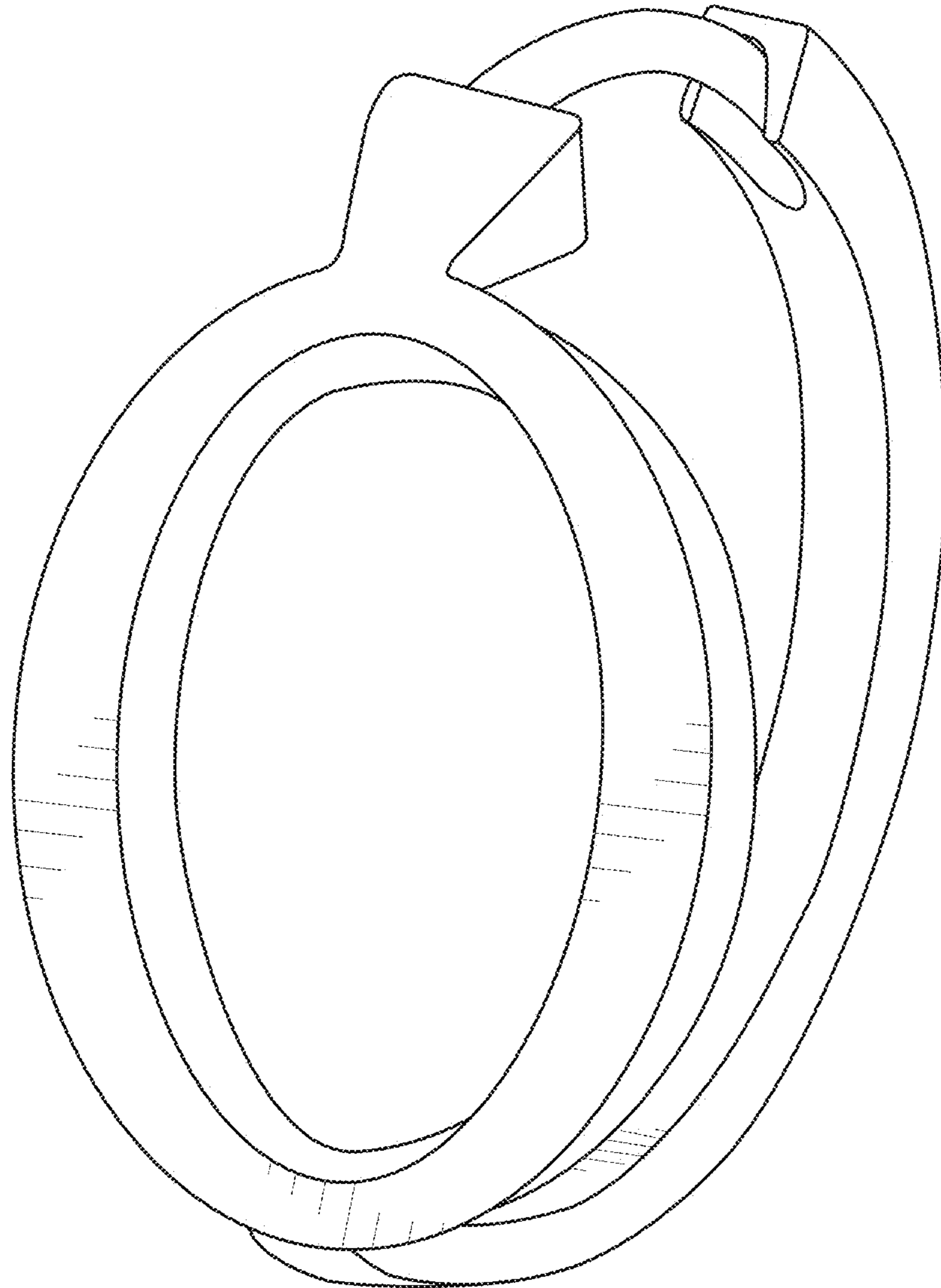


FIG. 47

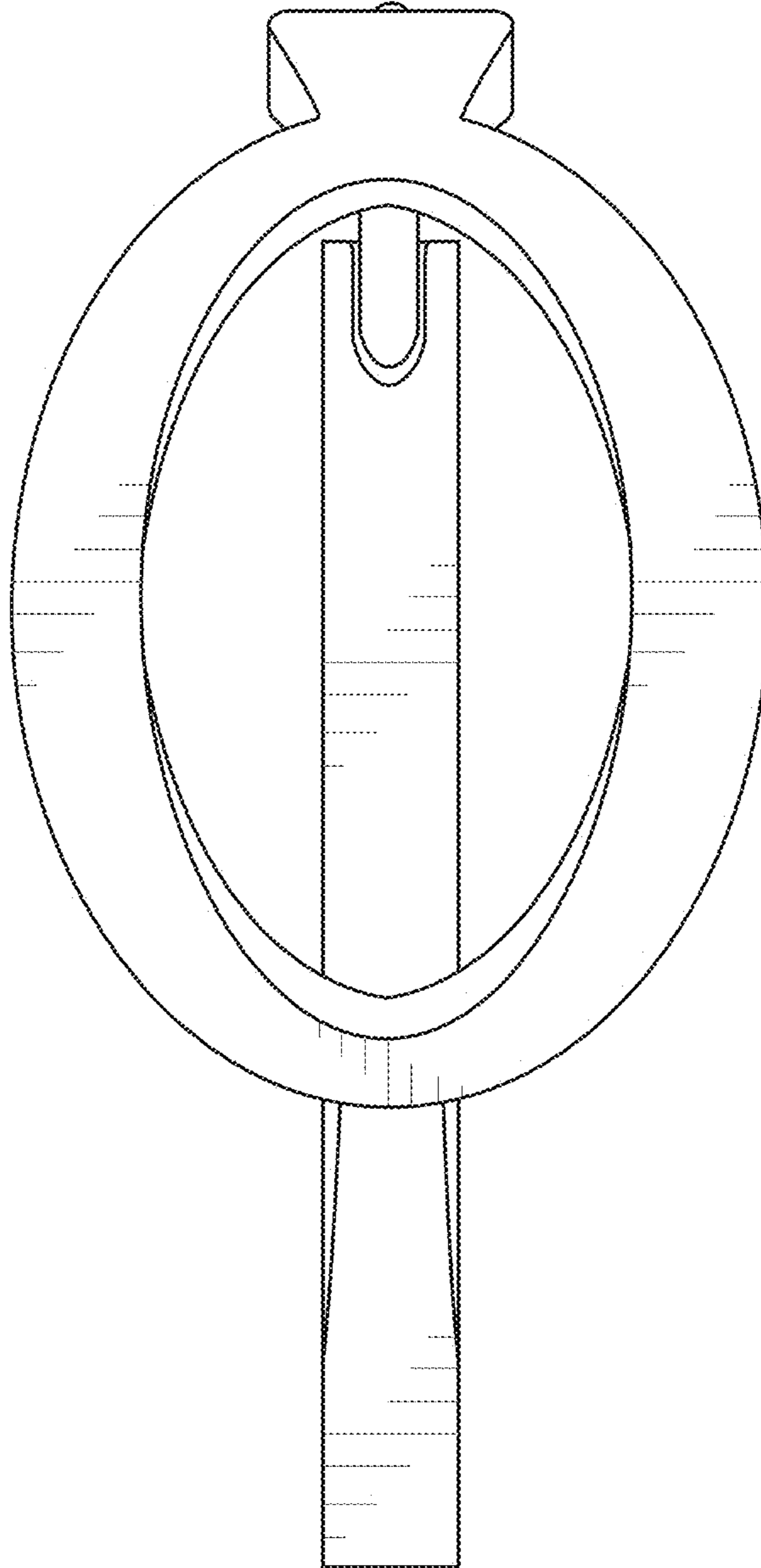


FIG. 48

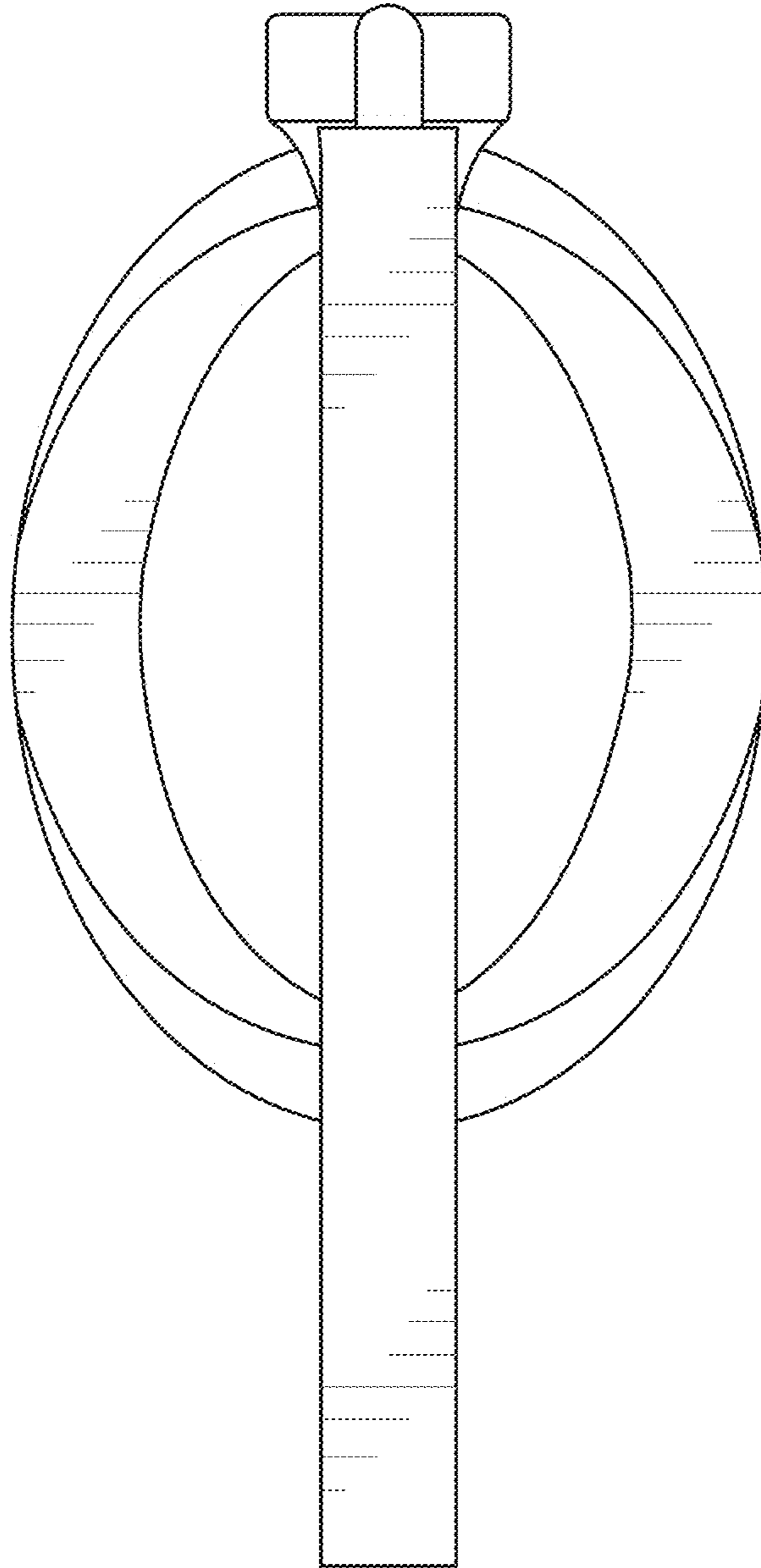


FIG. 49

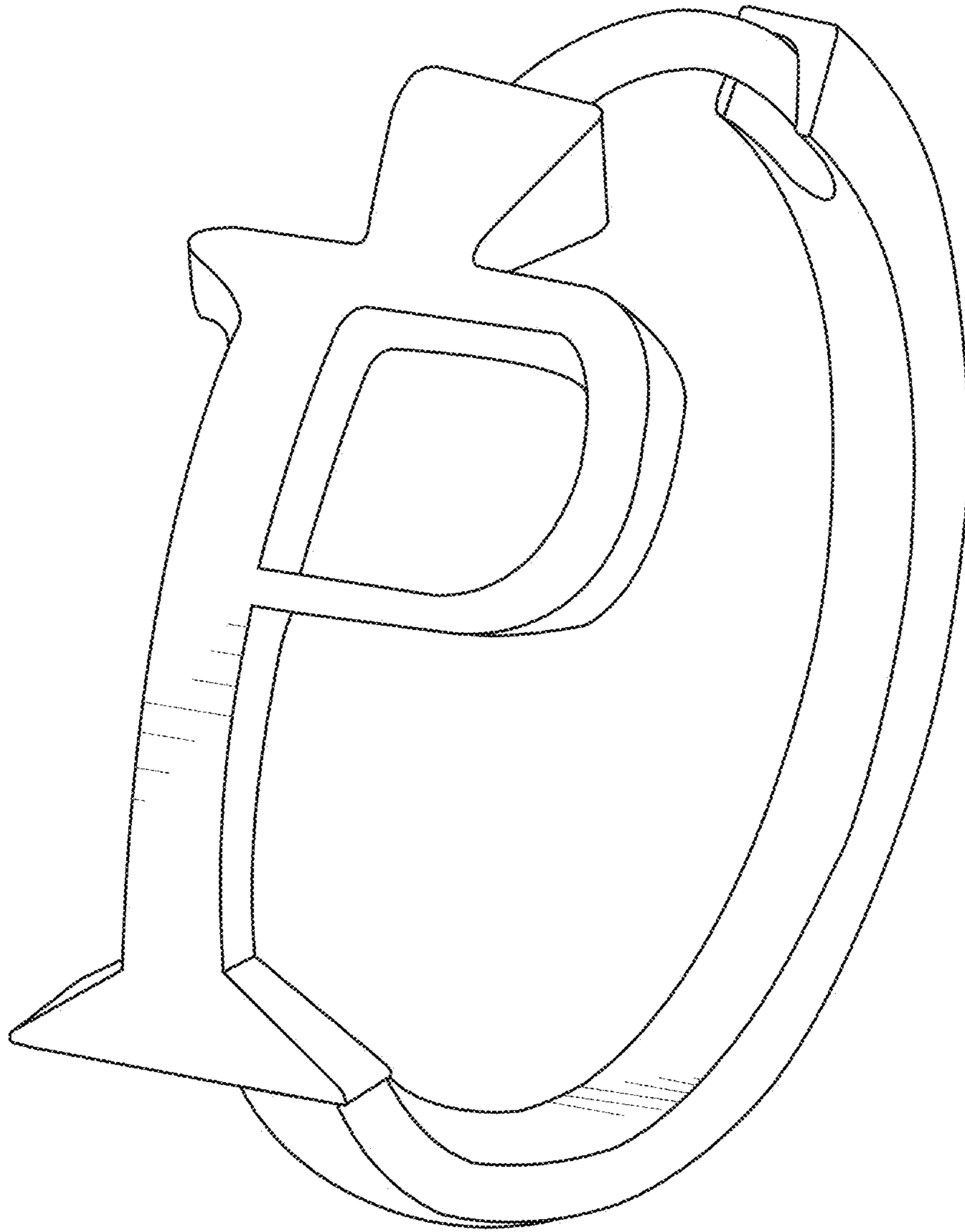


FIG. 50

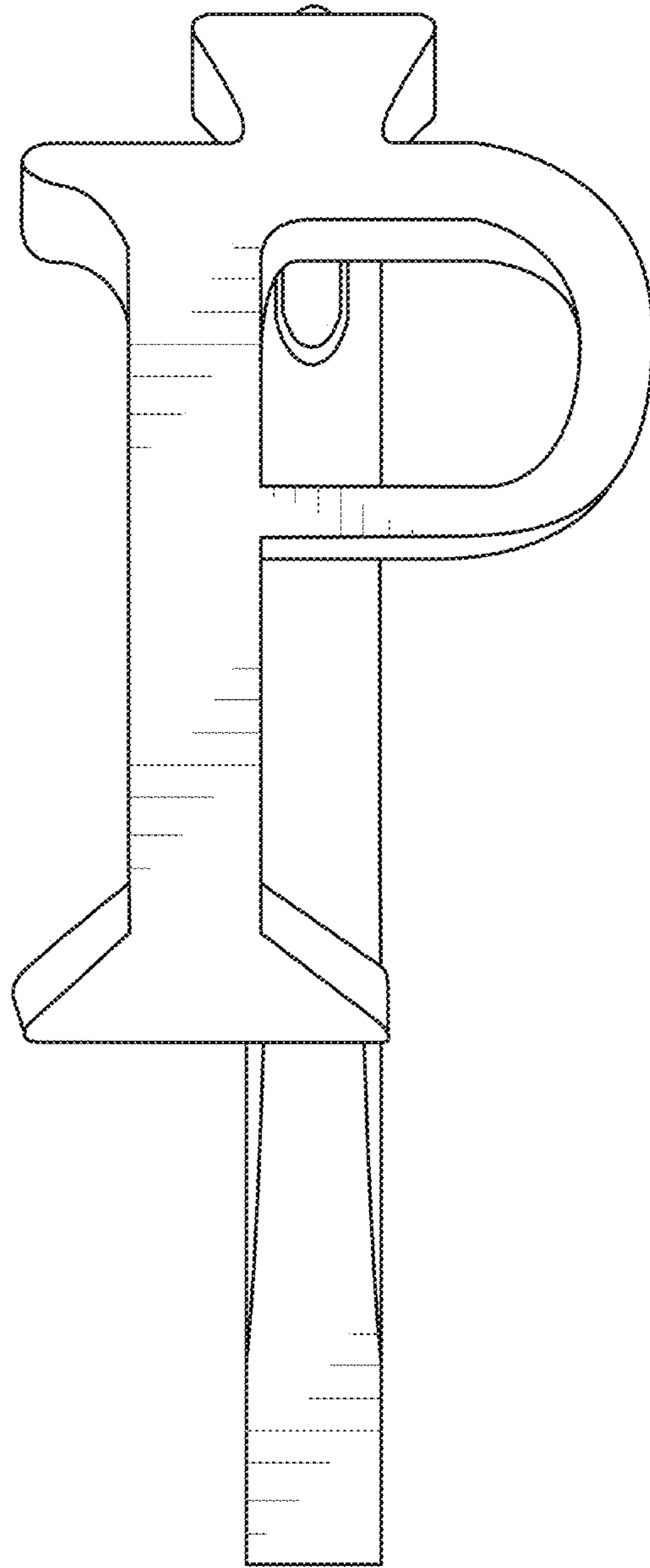


FIG. 51

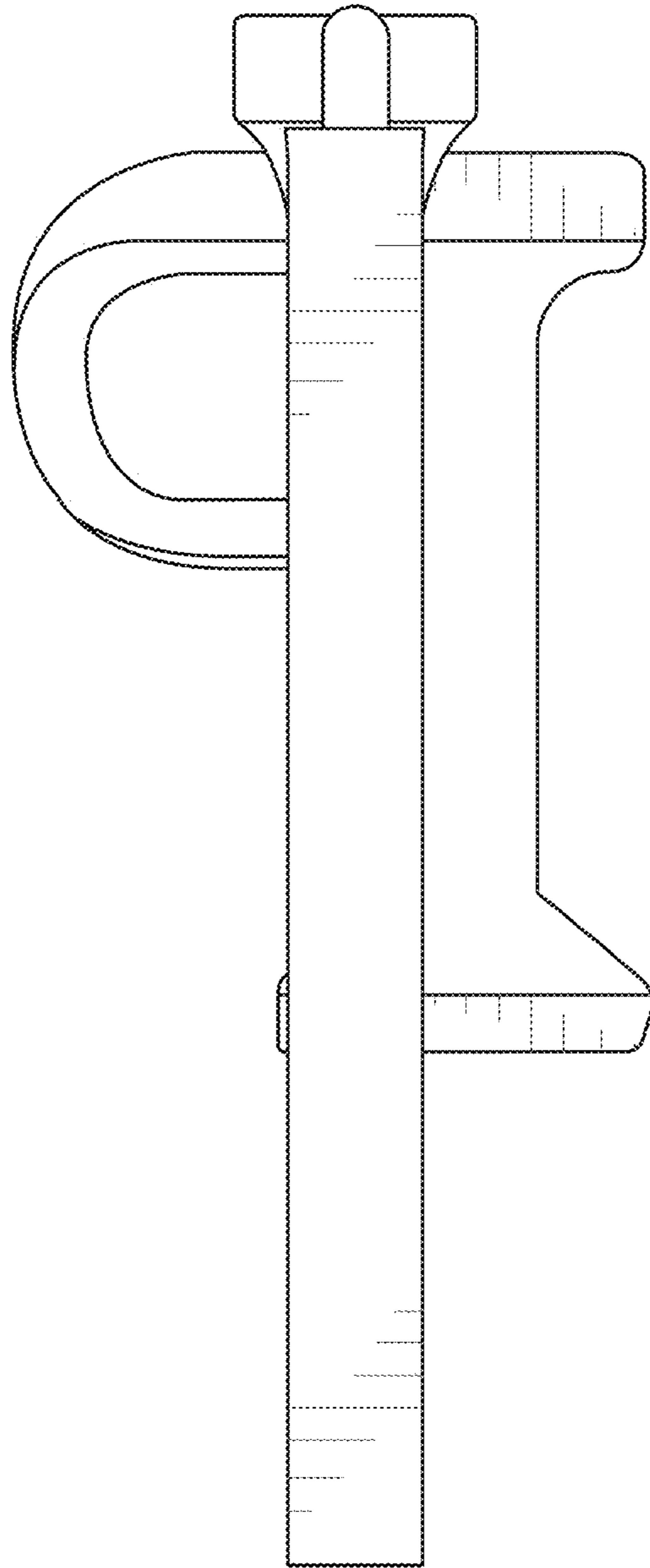


FIG. 52

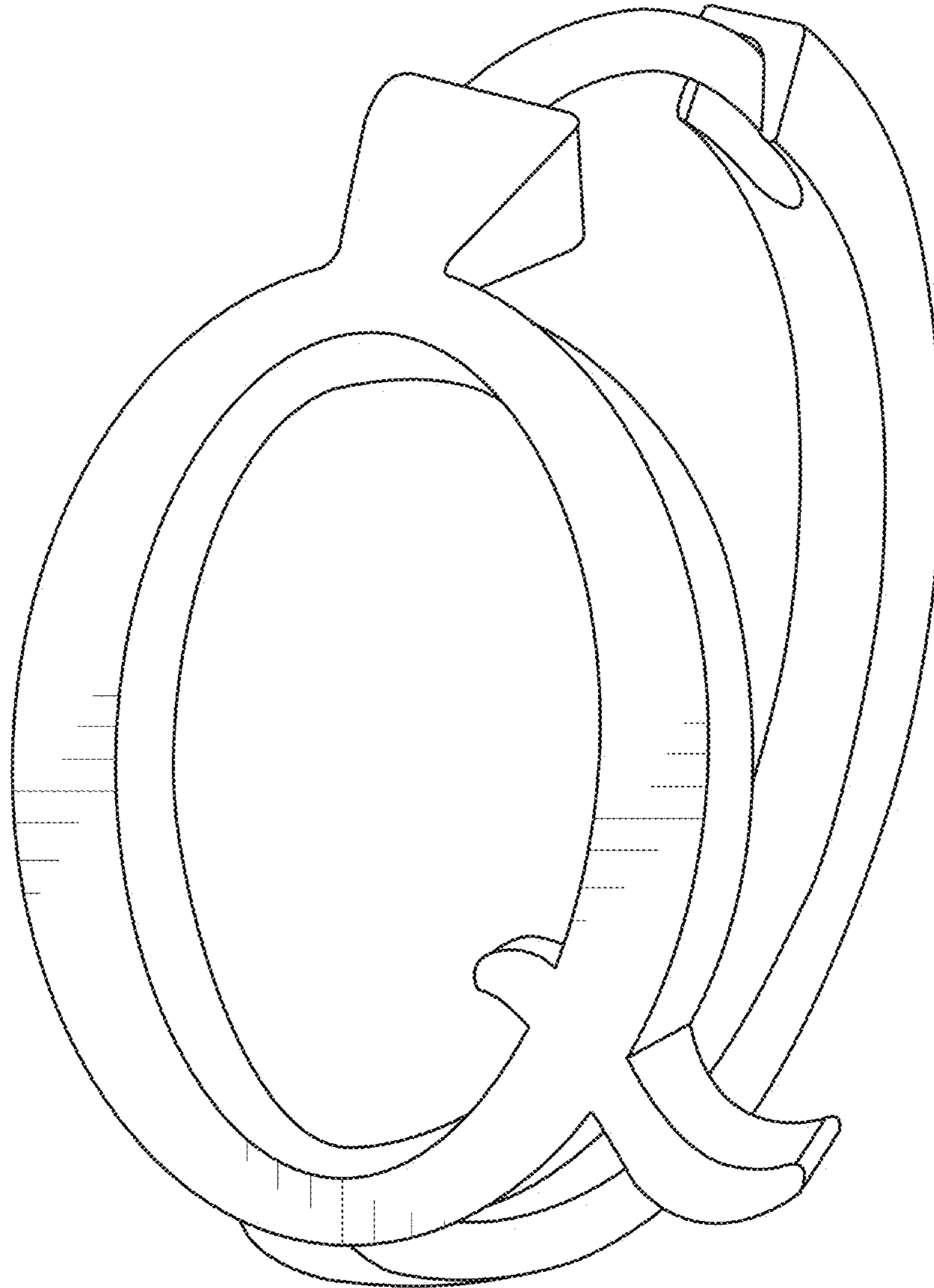


FIG. 53

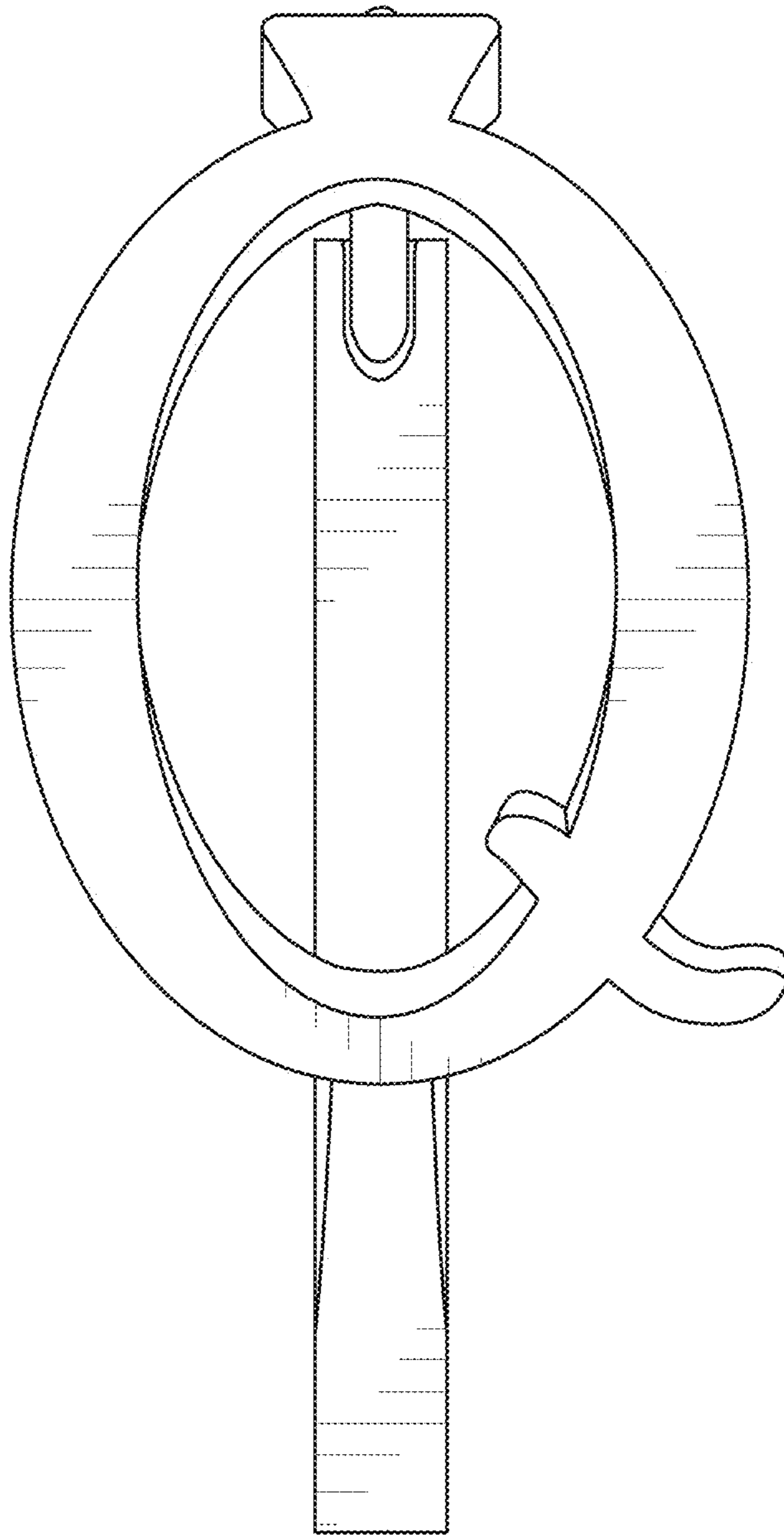


FIG. 54



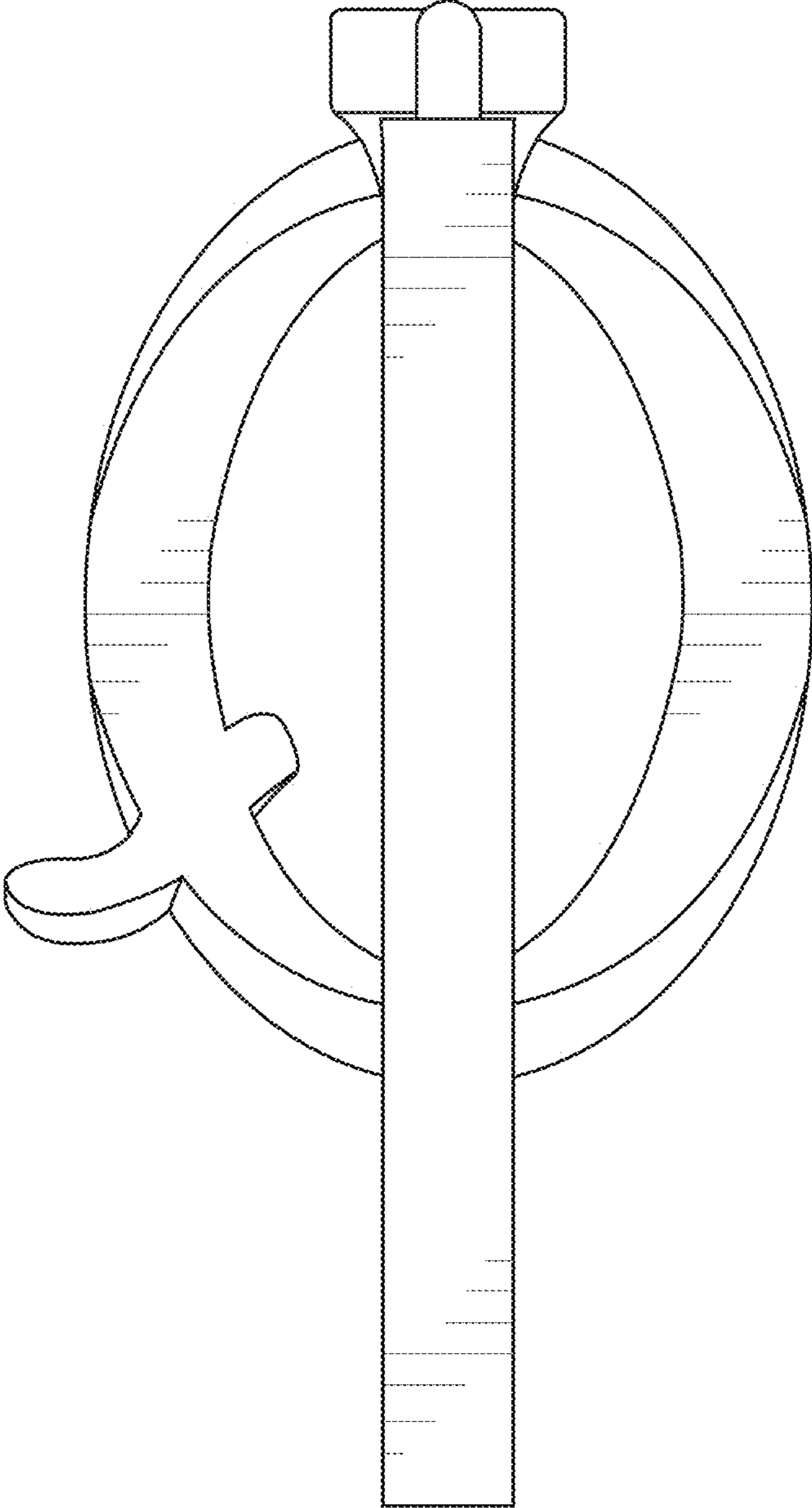


FIG. 55

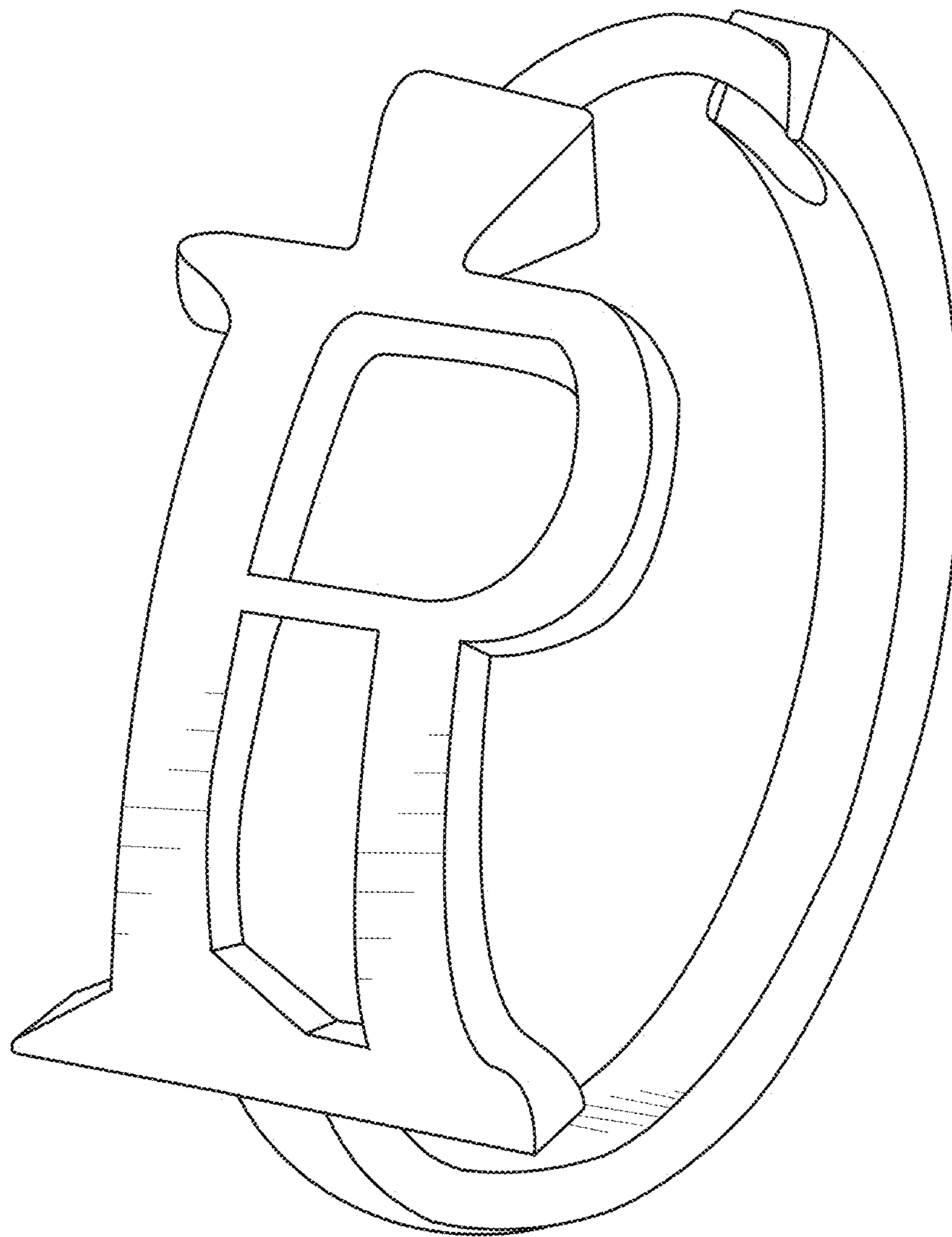


FIG. 56

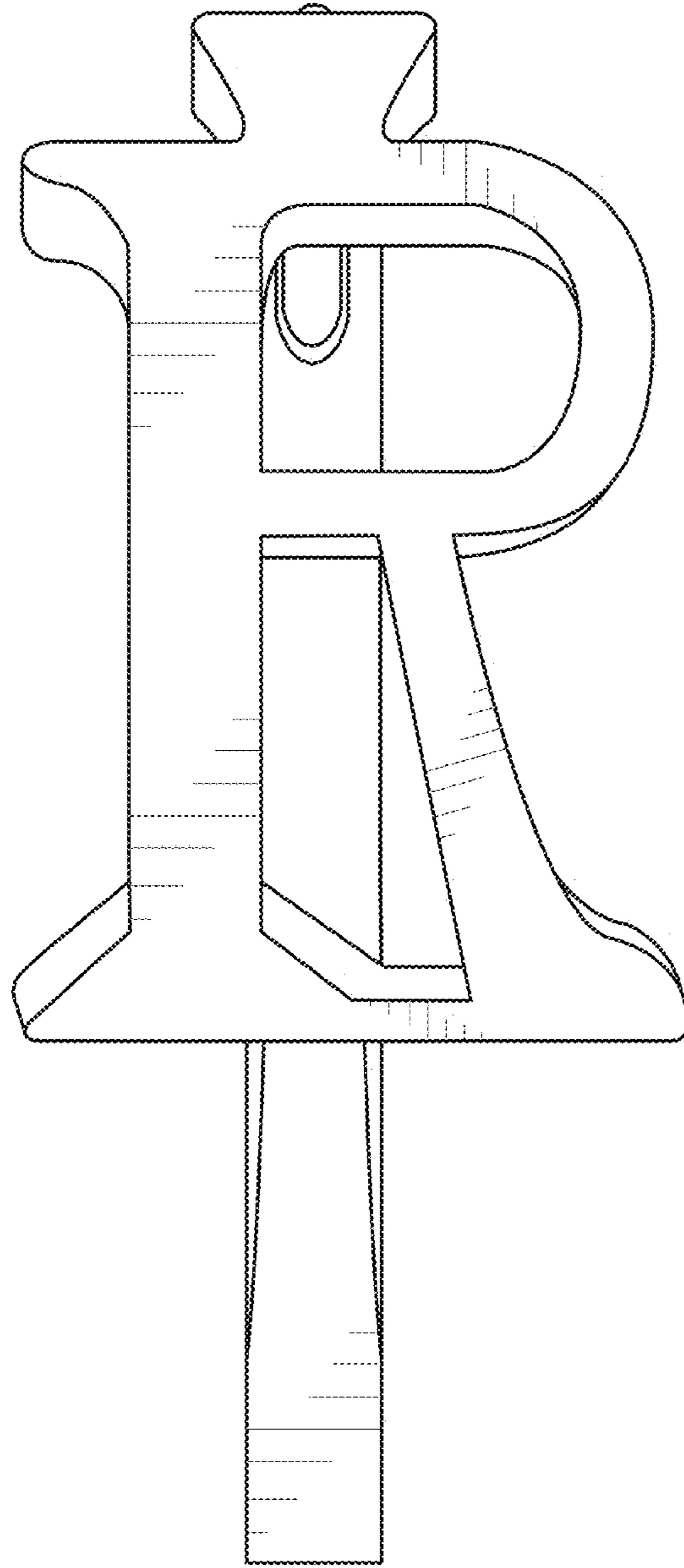


FIG. 57

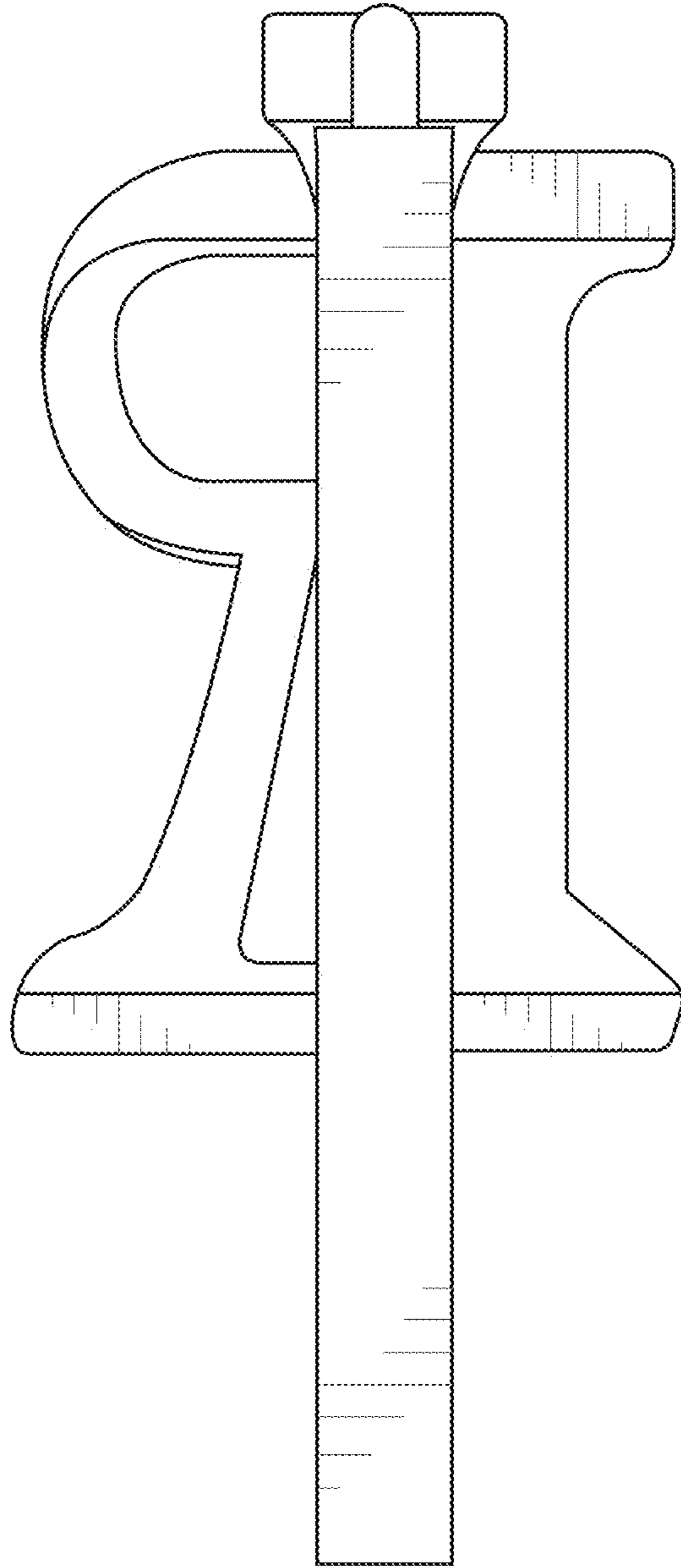


FIG. 58

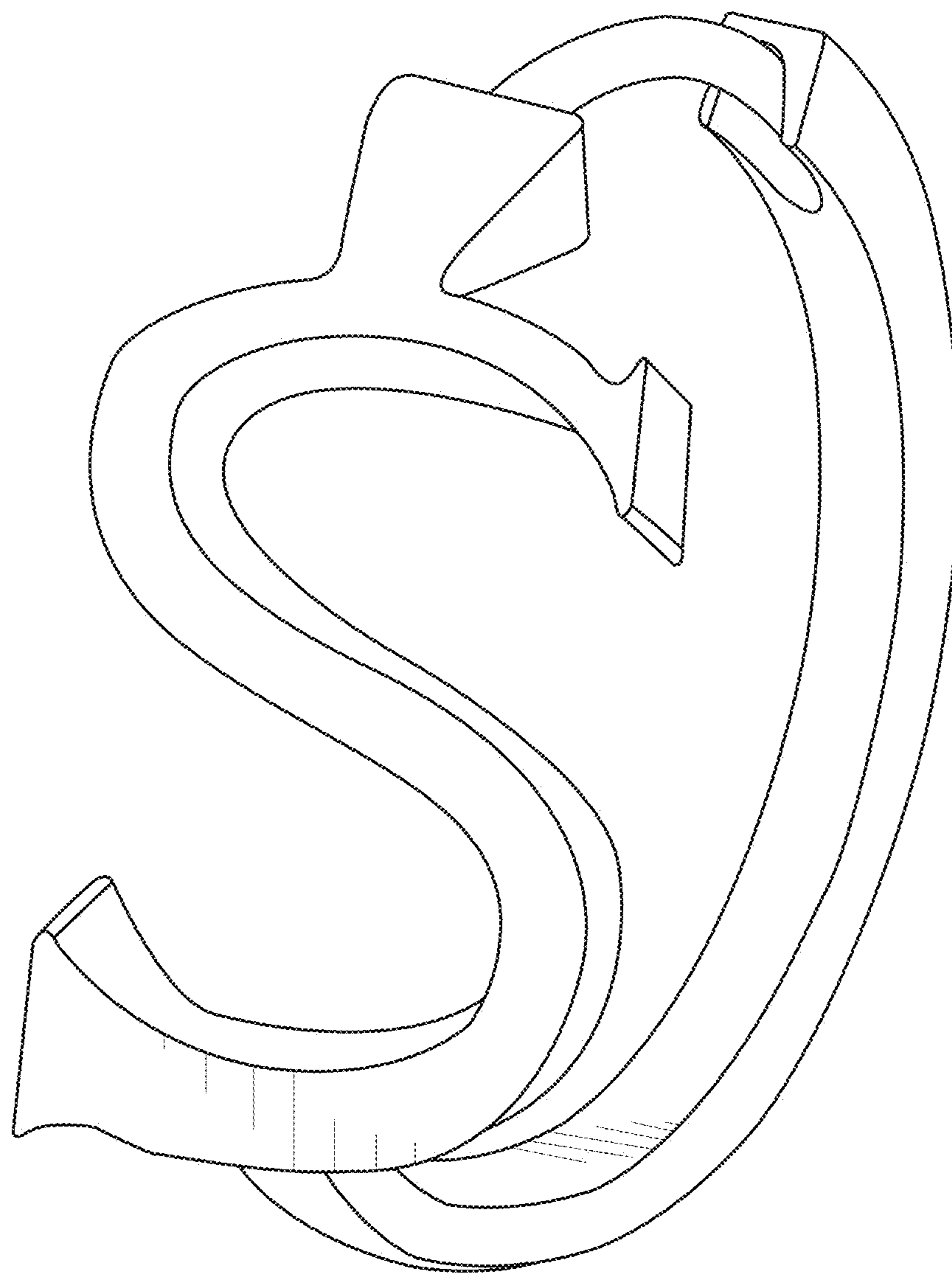


FIG. 59

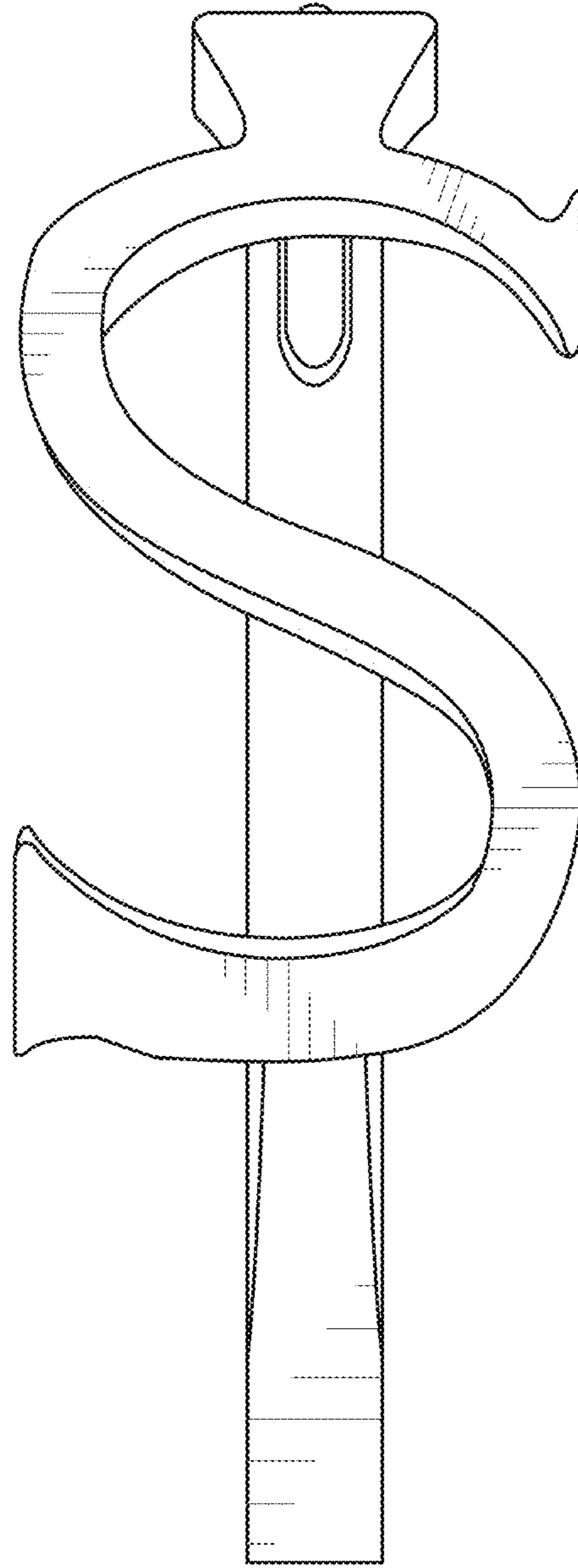


FIG. 60

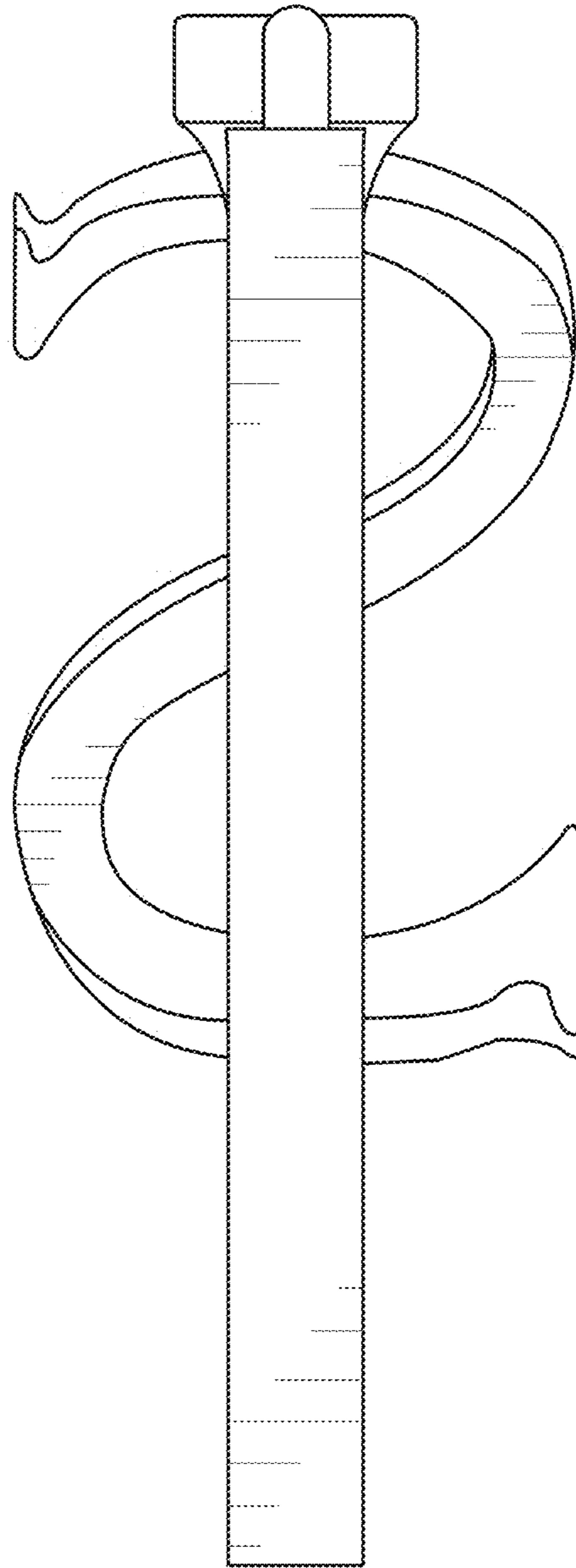


FIG. 61

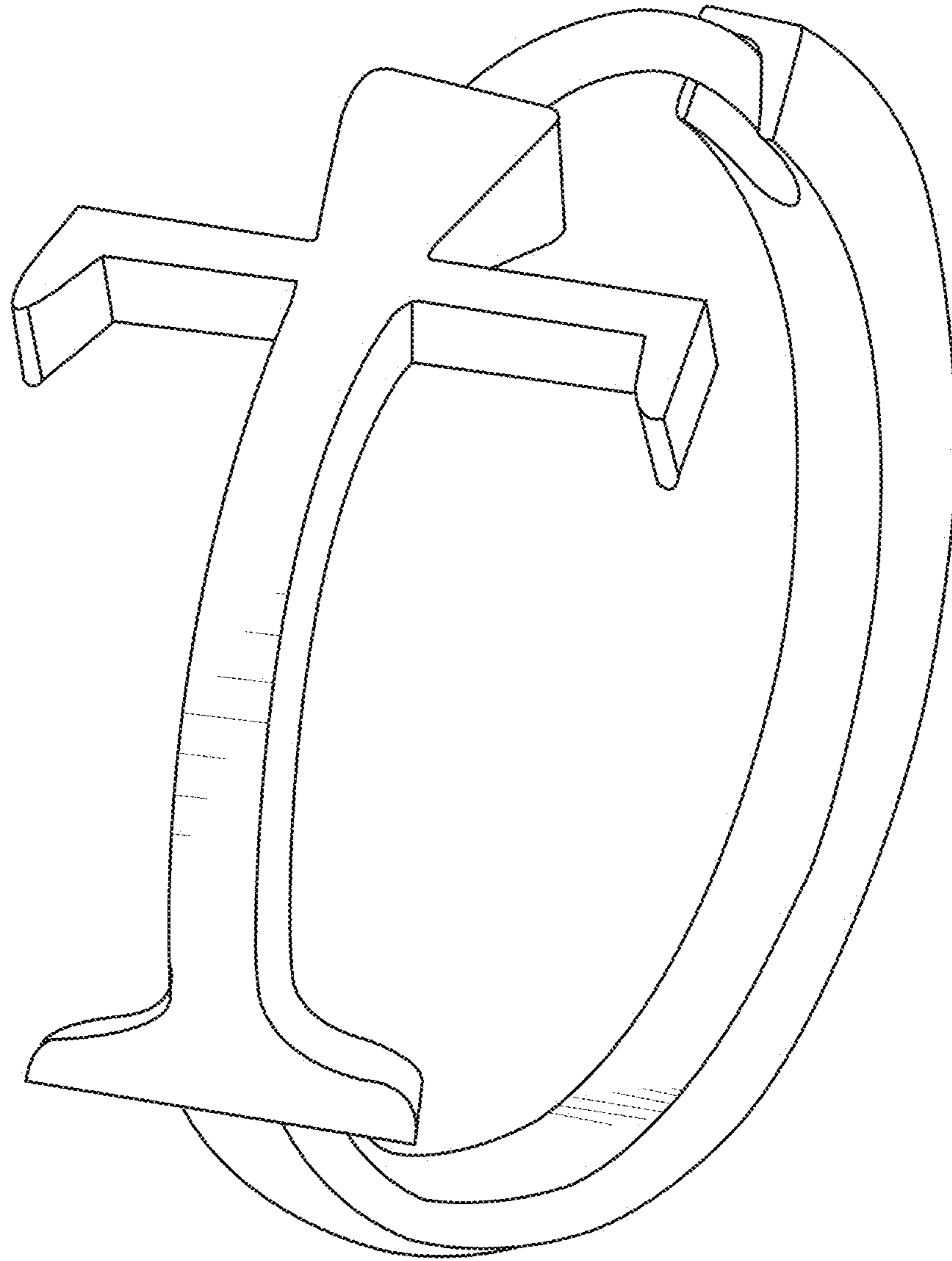


FIG. 62



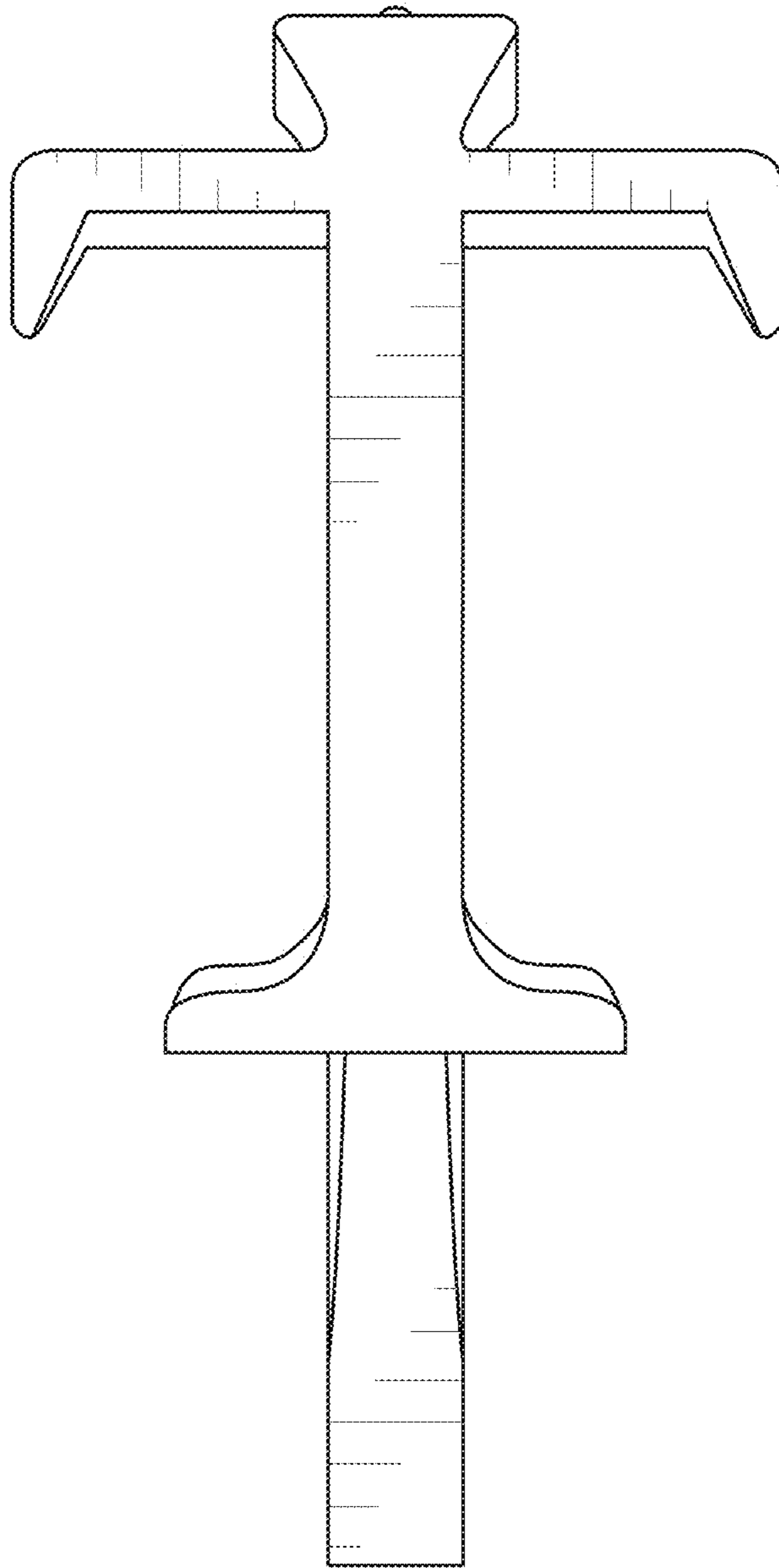


FIG. 63

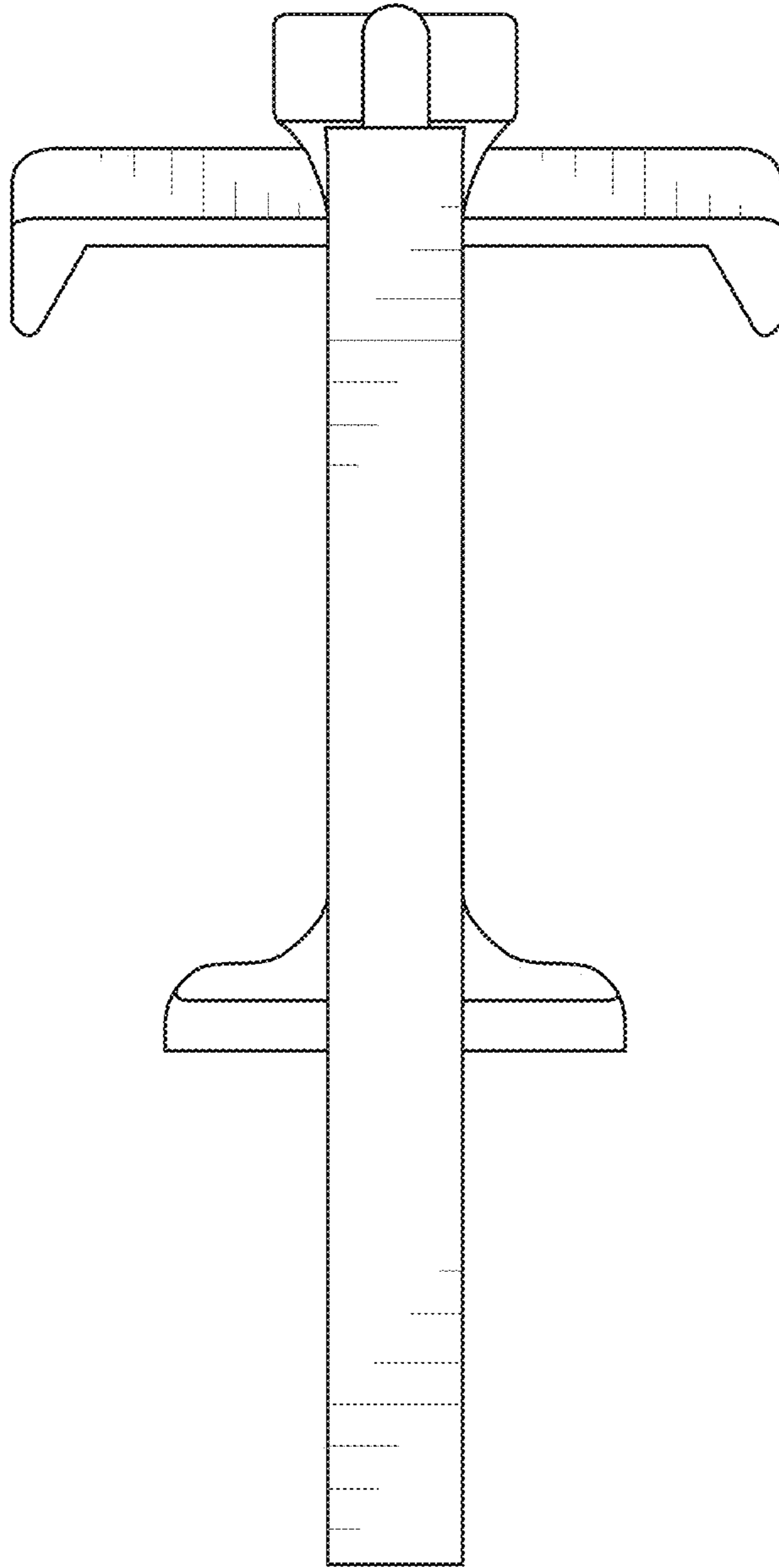


FIG. 64

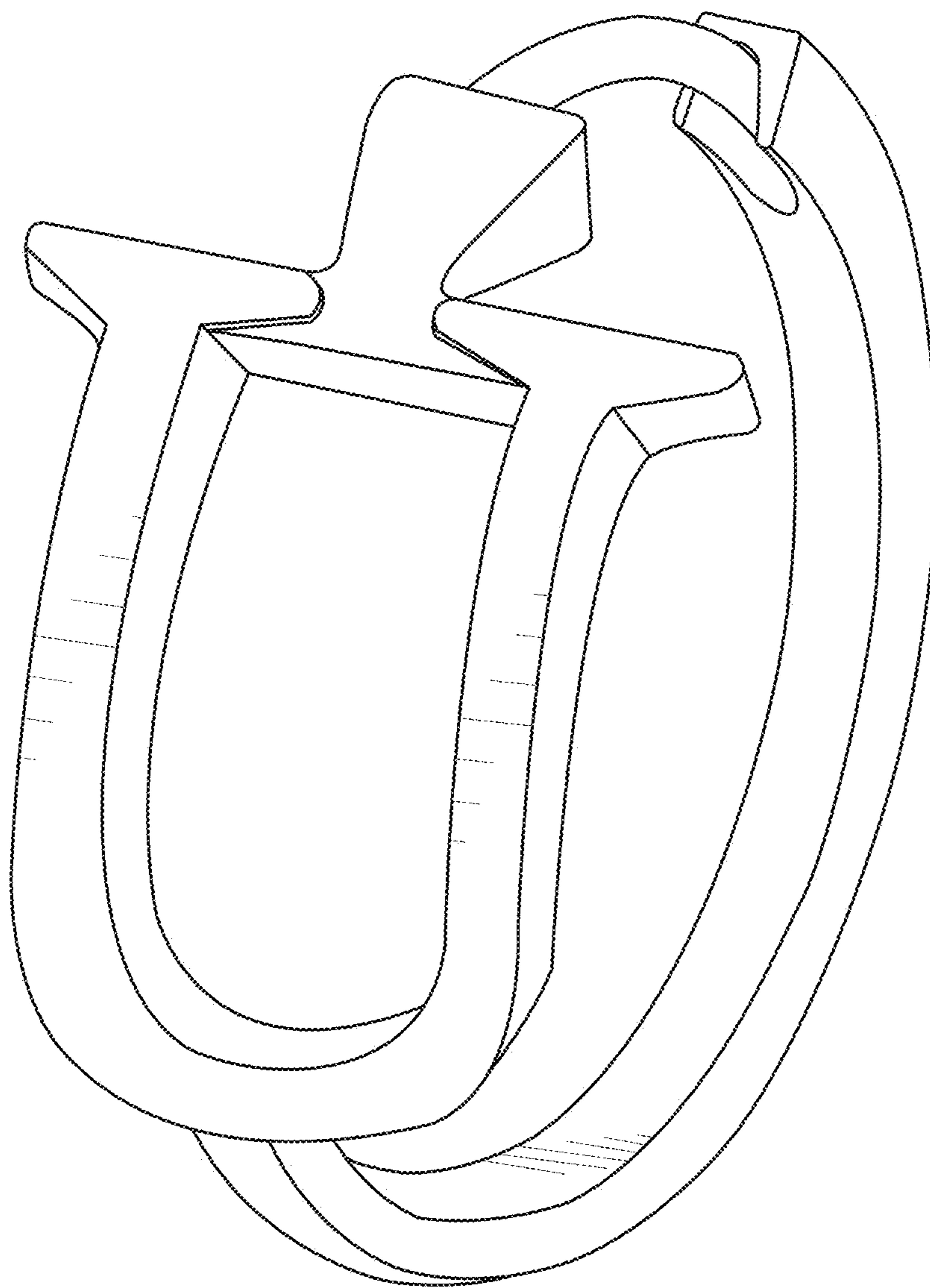


FIG. 65

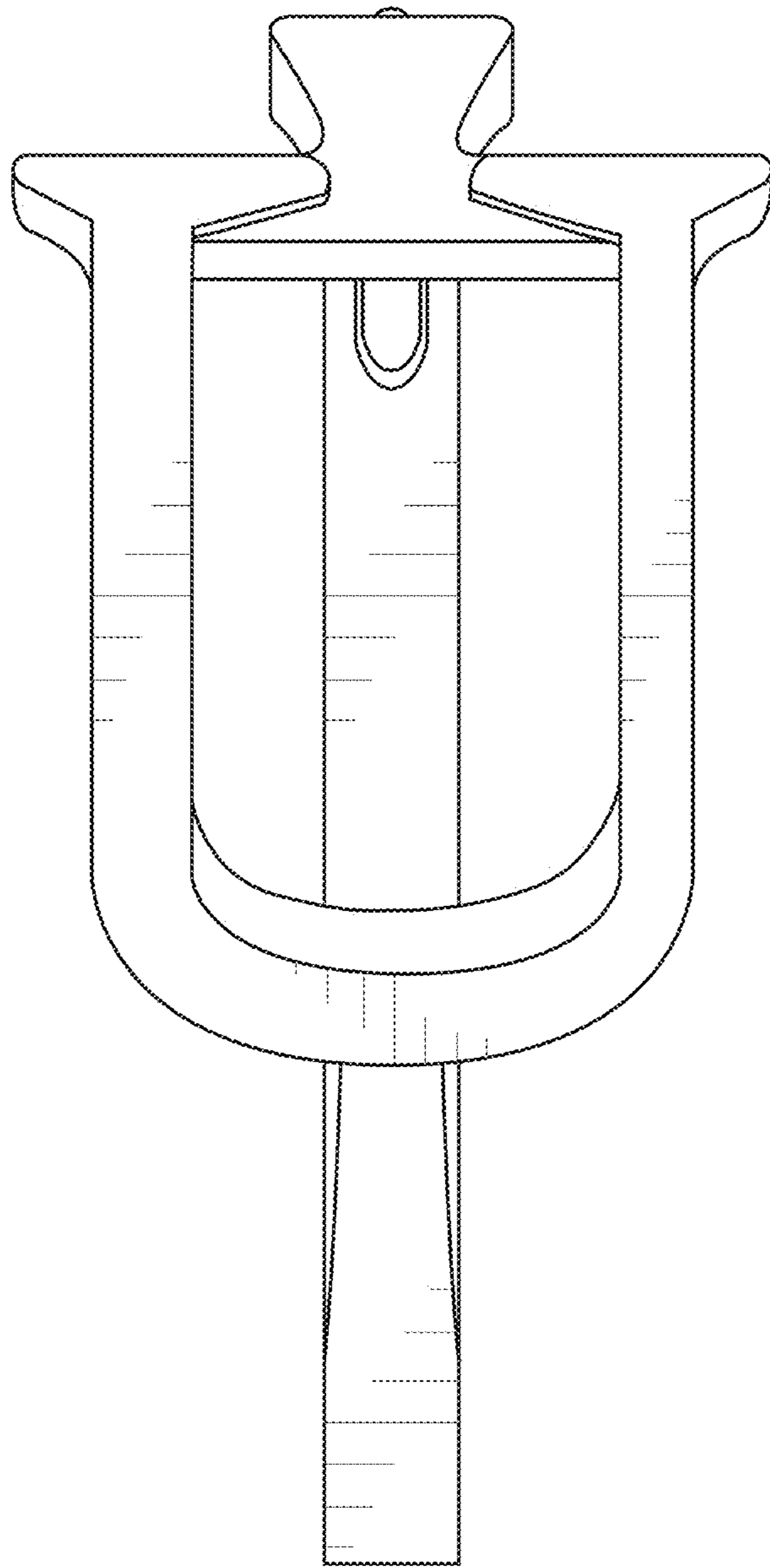


FIG. 66

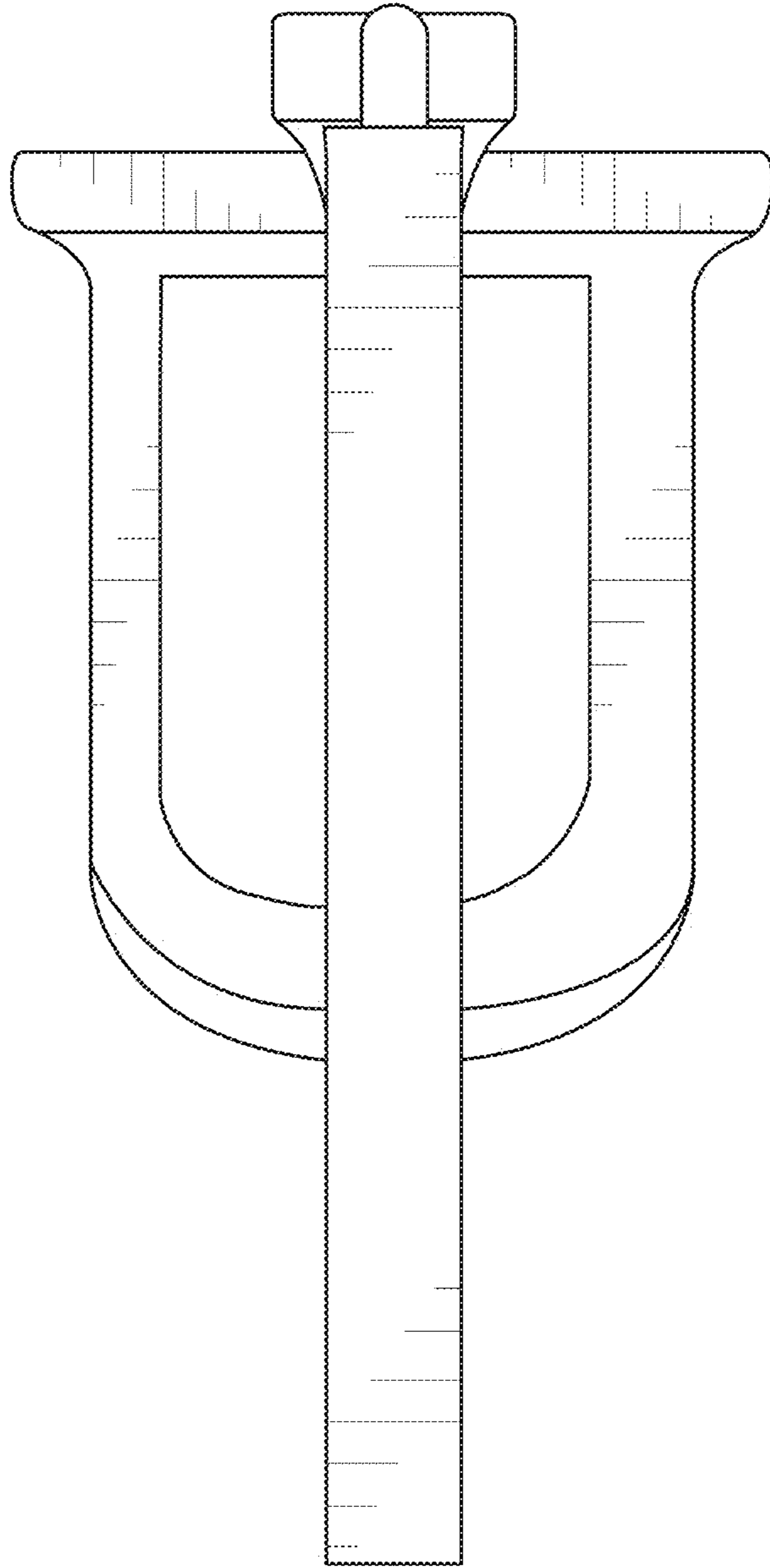


FIG. 67

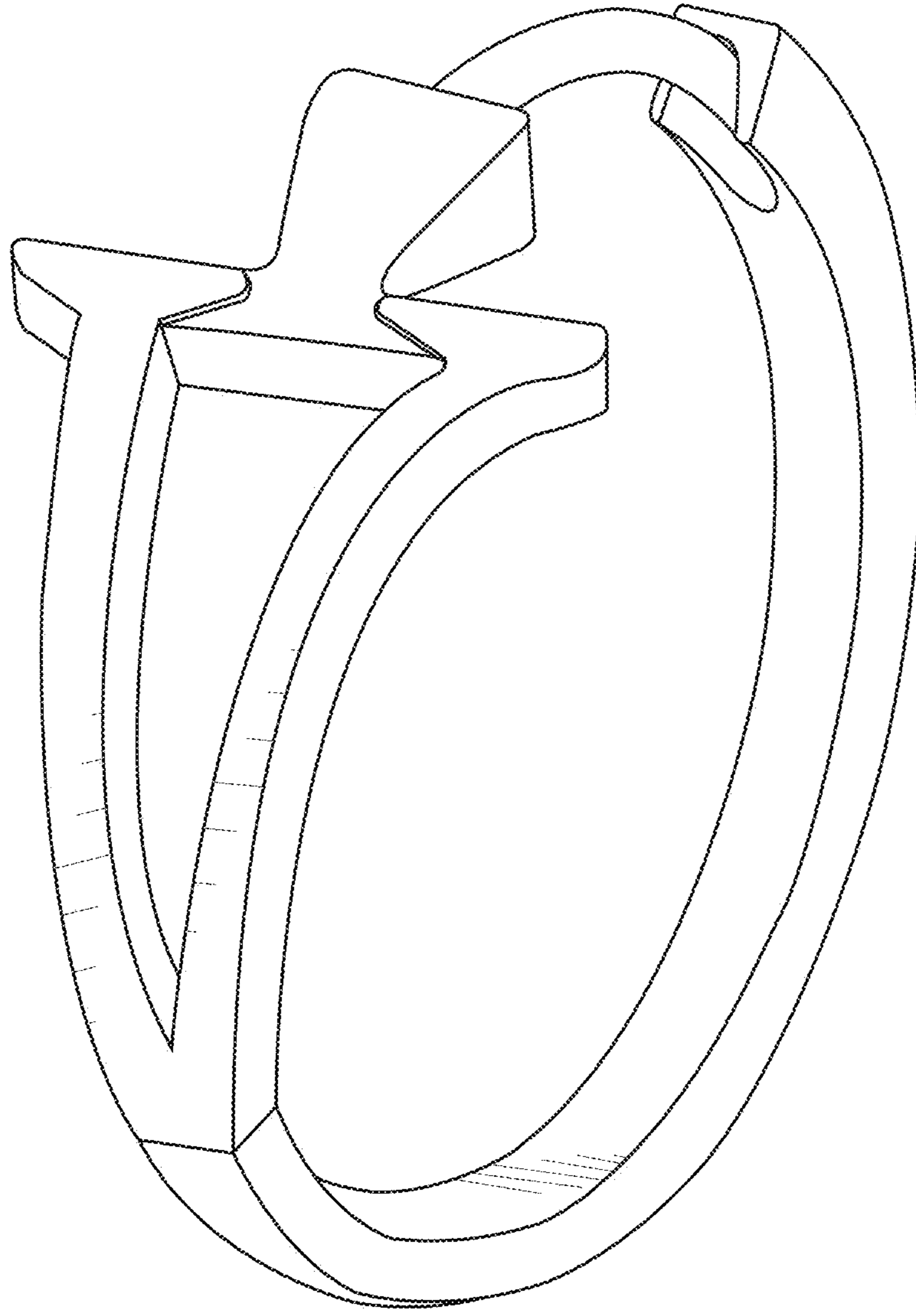


FIG. 68

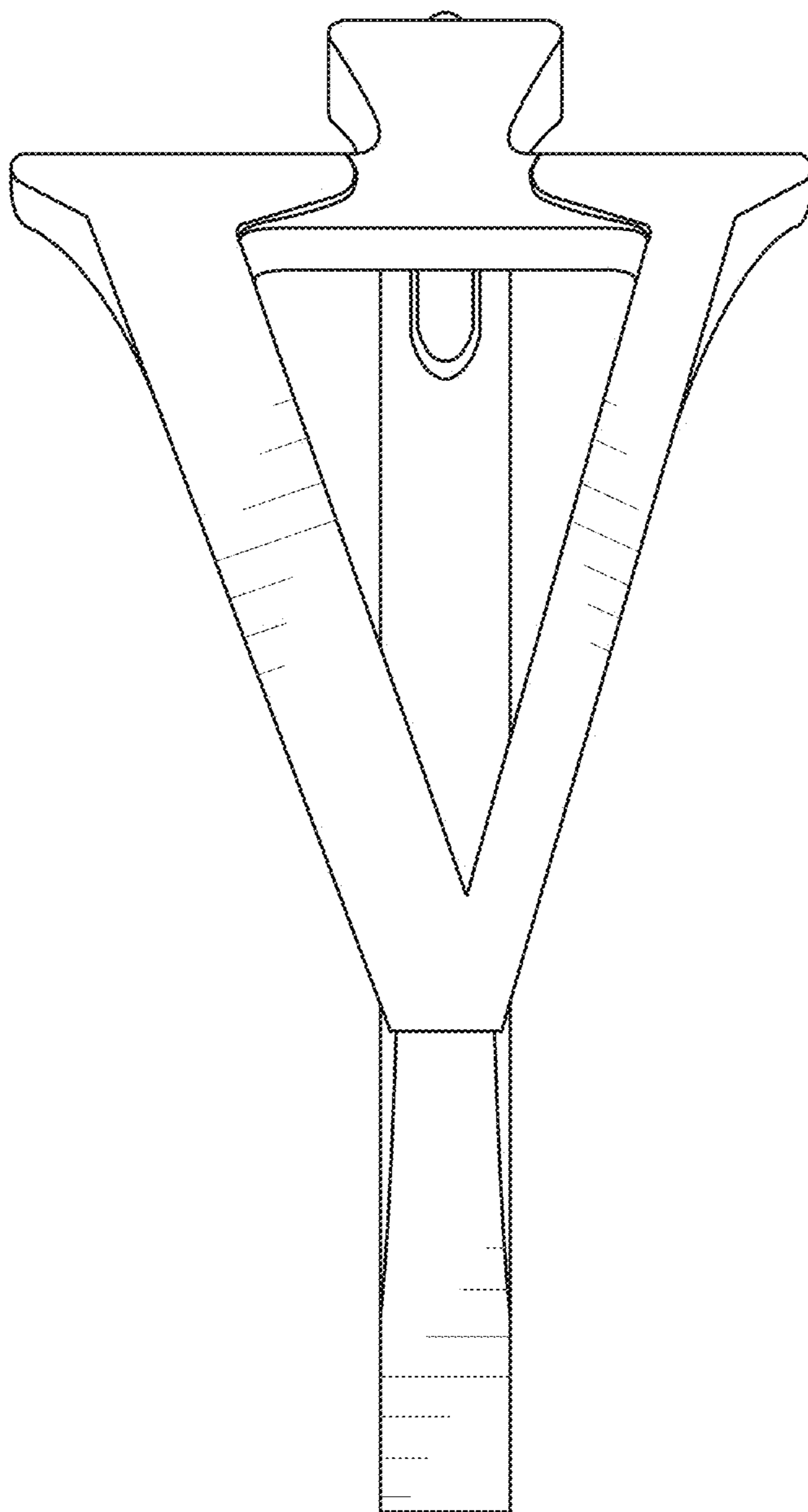


FIG. 69

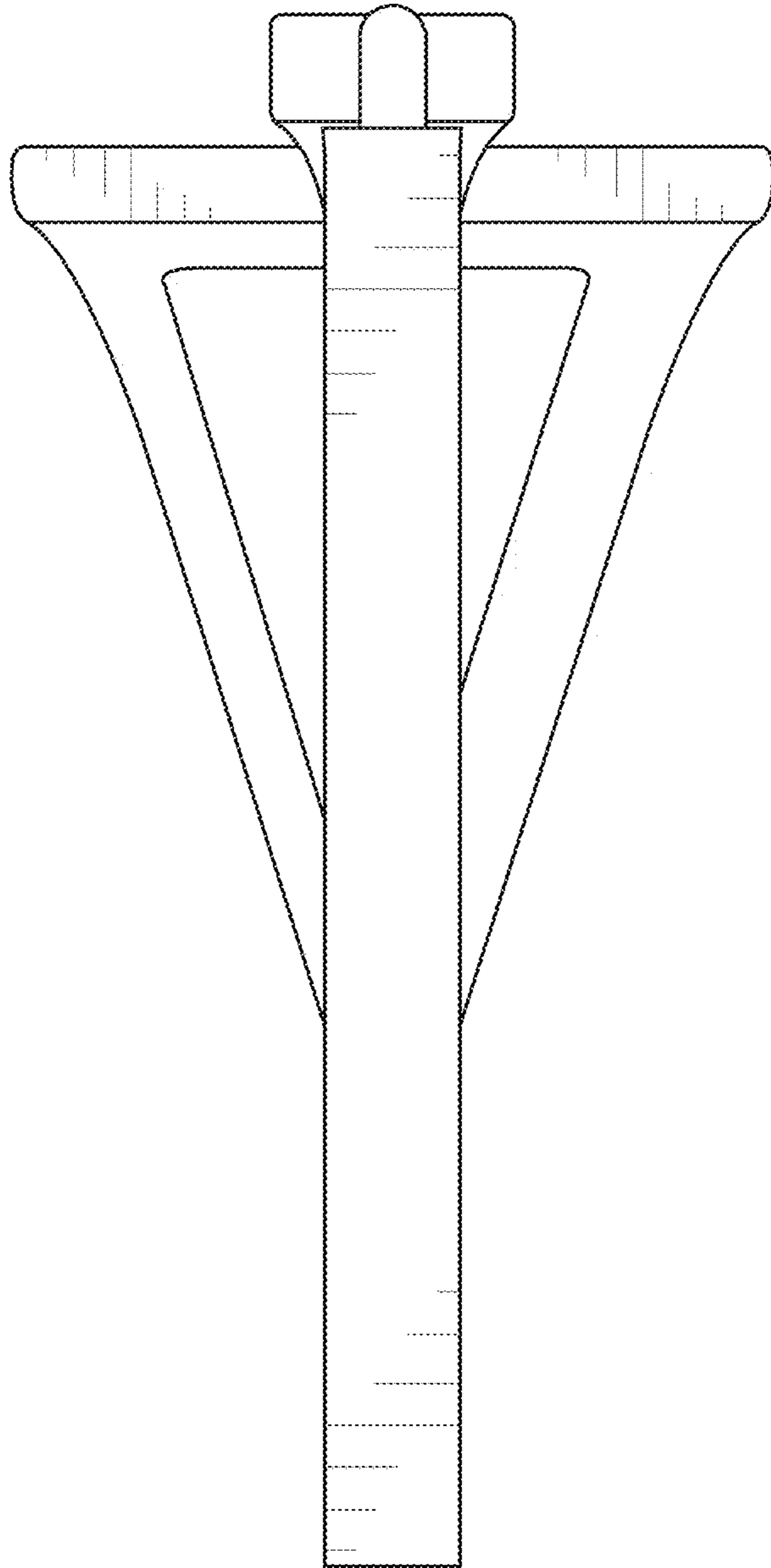


FIG. 70



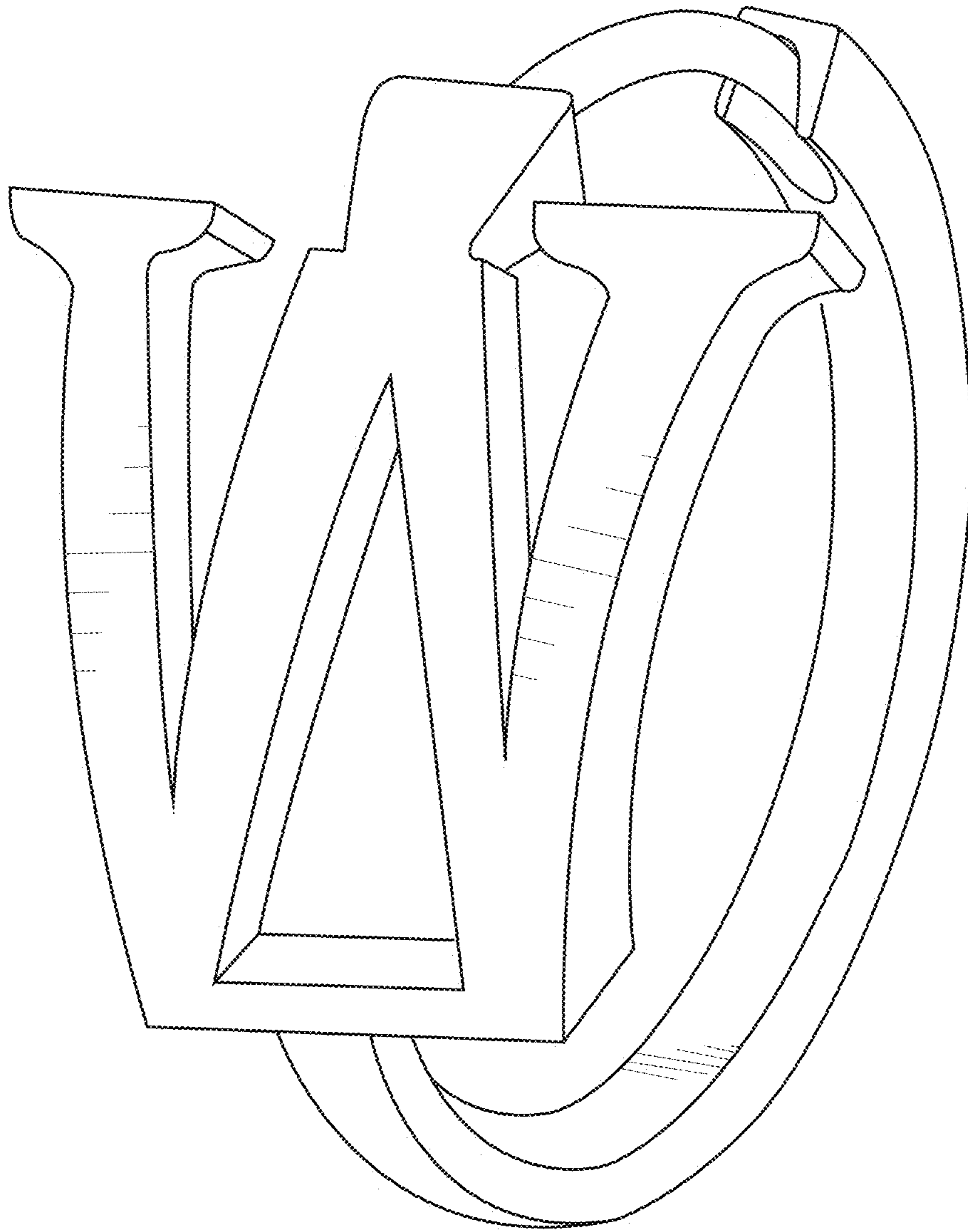


FIG. 71

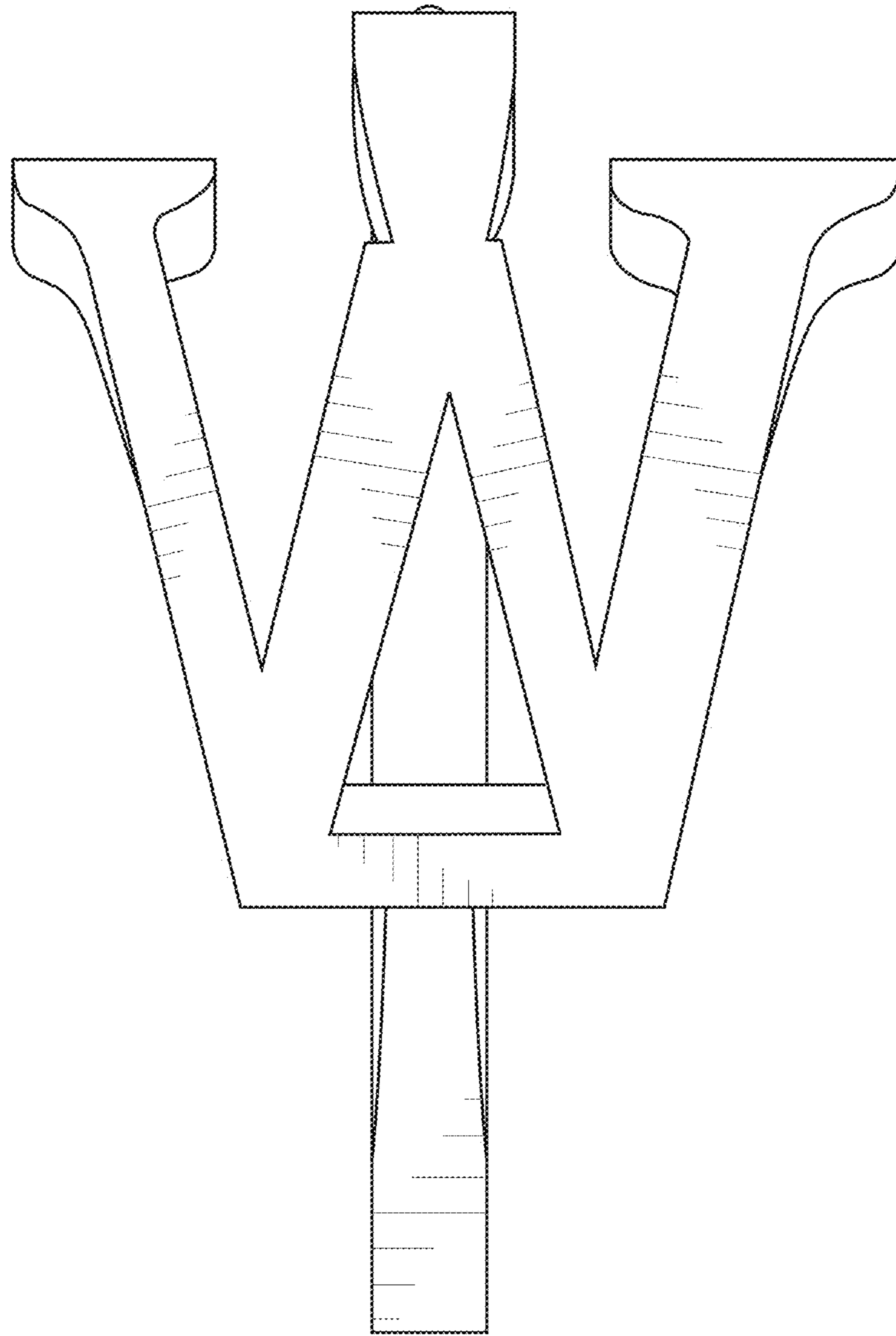


FIG. 72

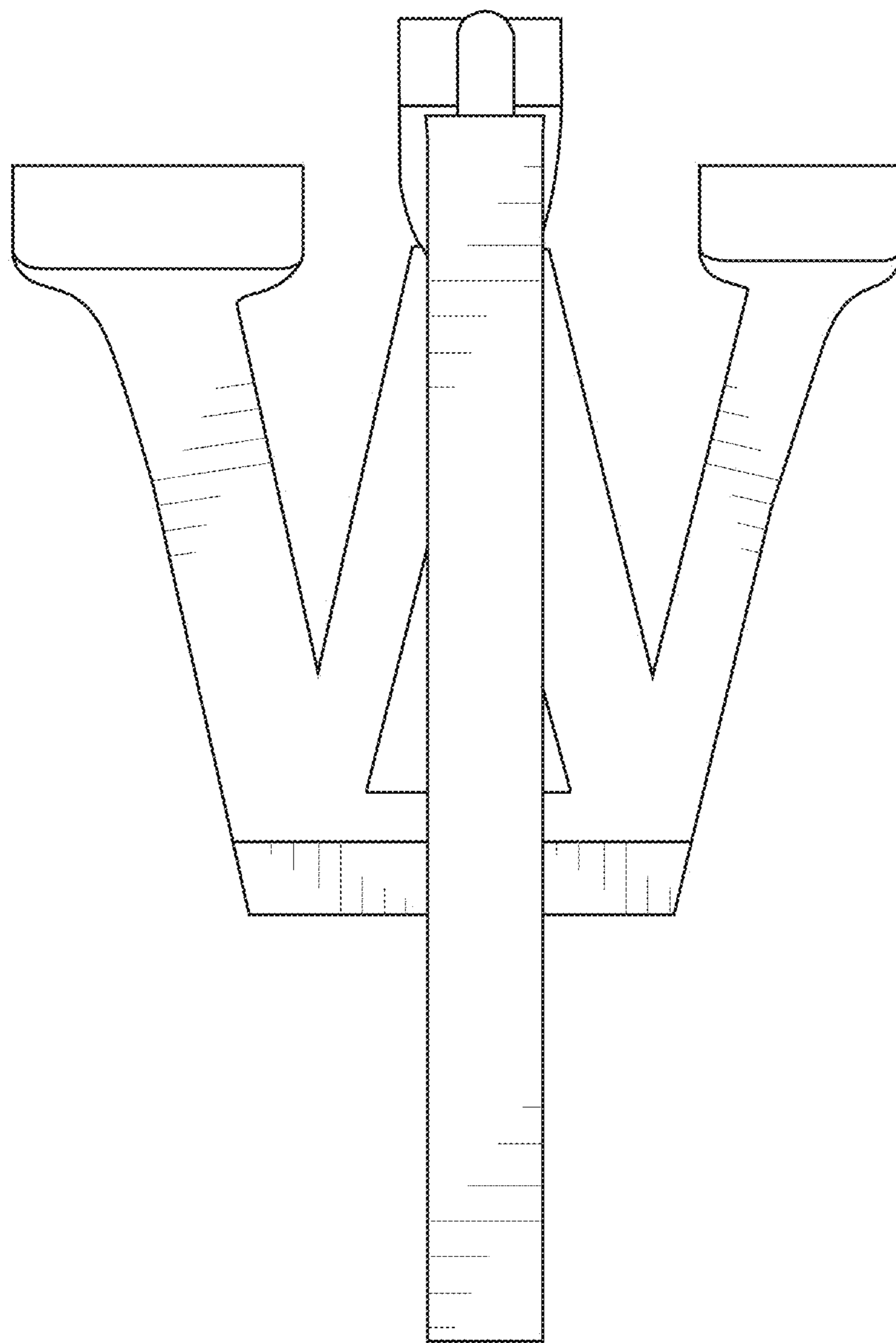


FIG. 73

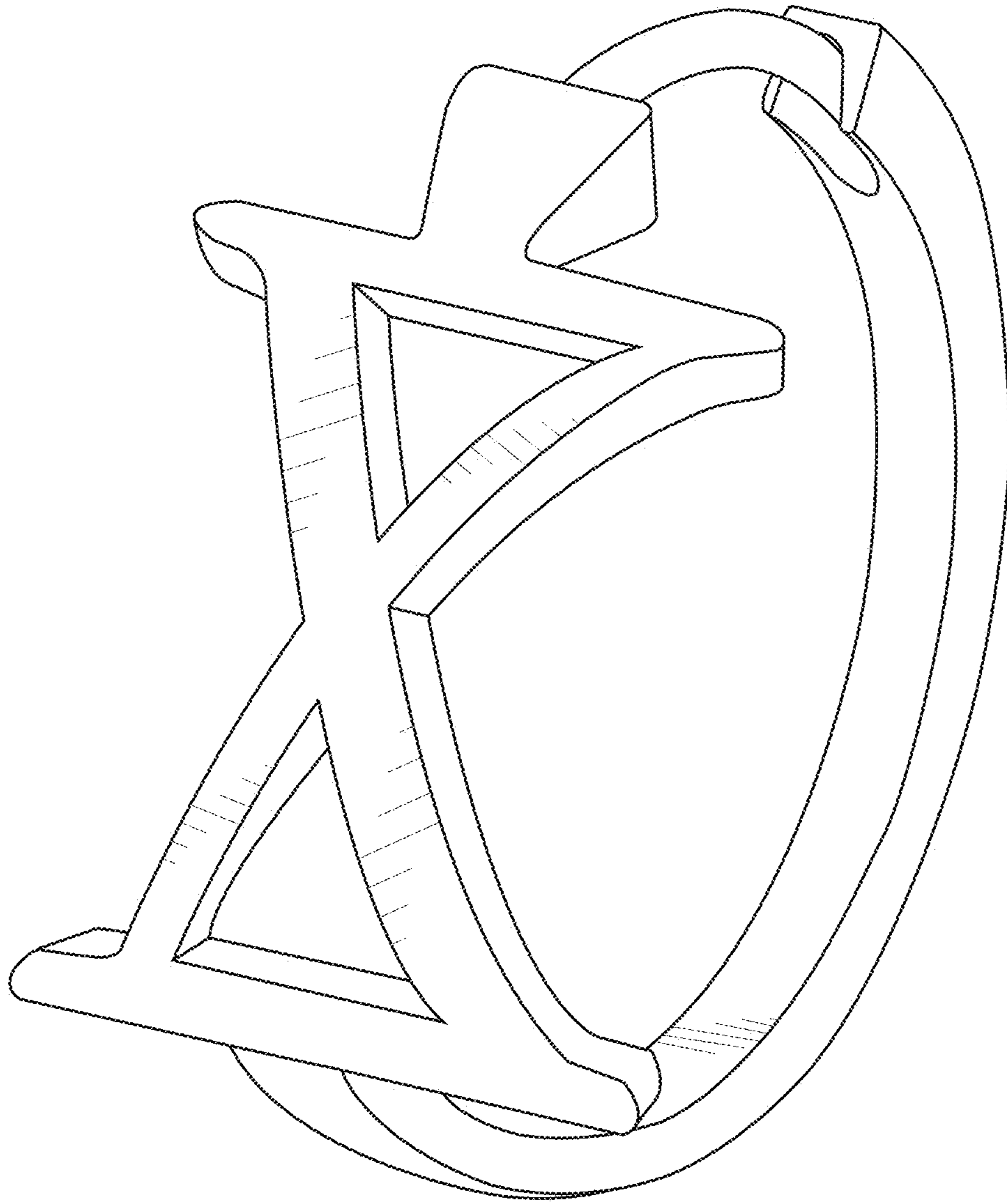


FIG. 74

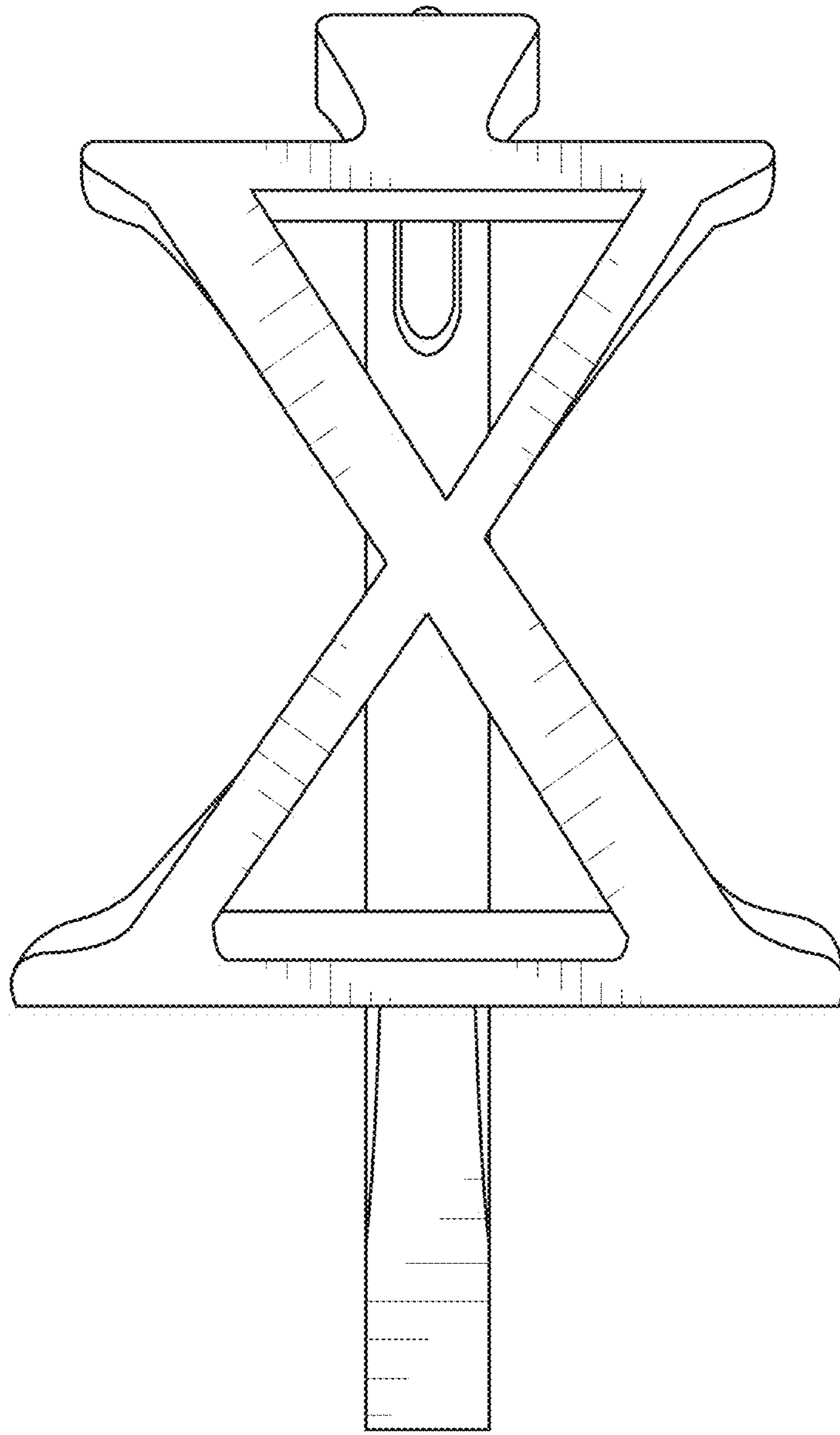


FIG. 75

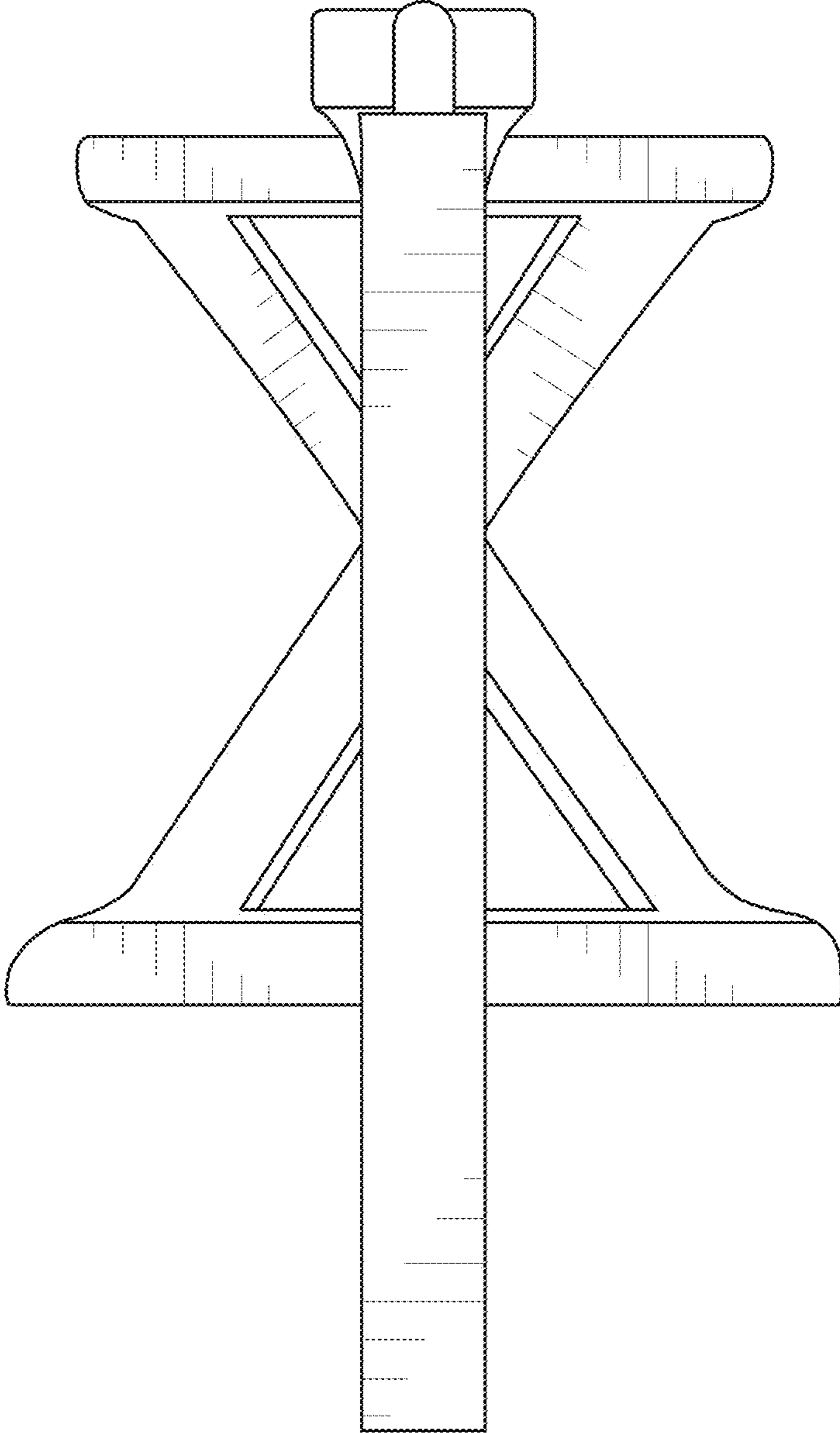


FIG. 76

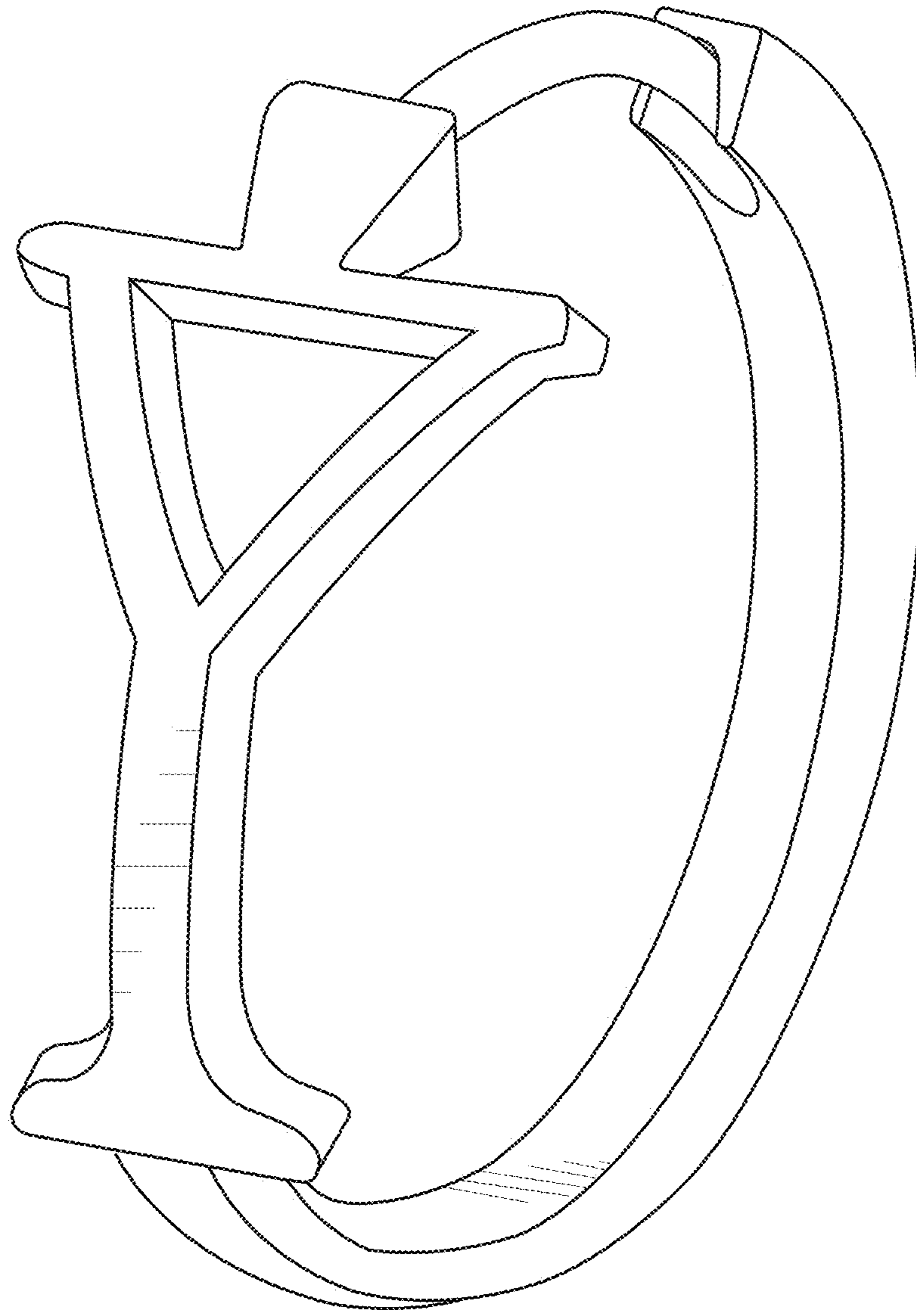


FIG. 77

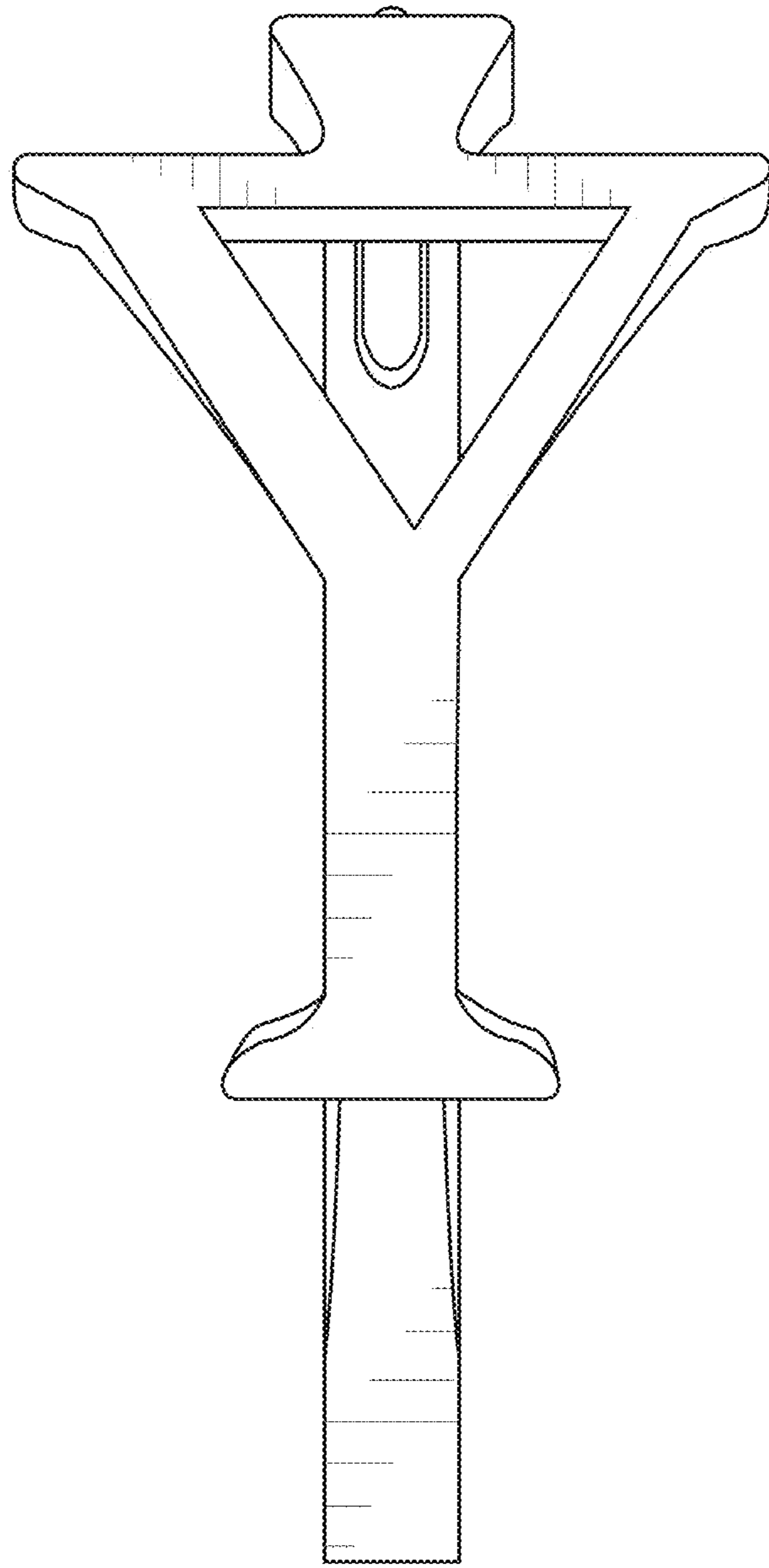


FIG. 78



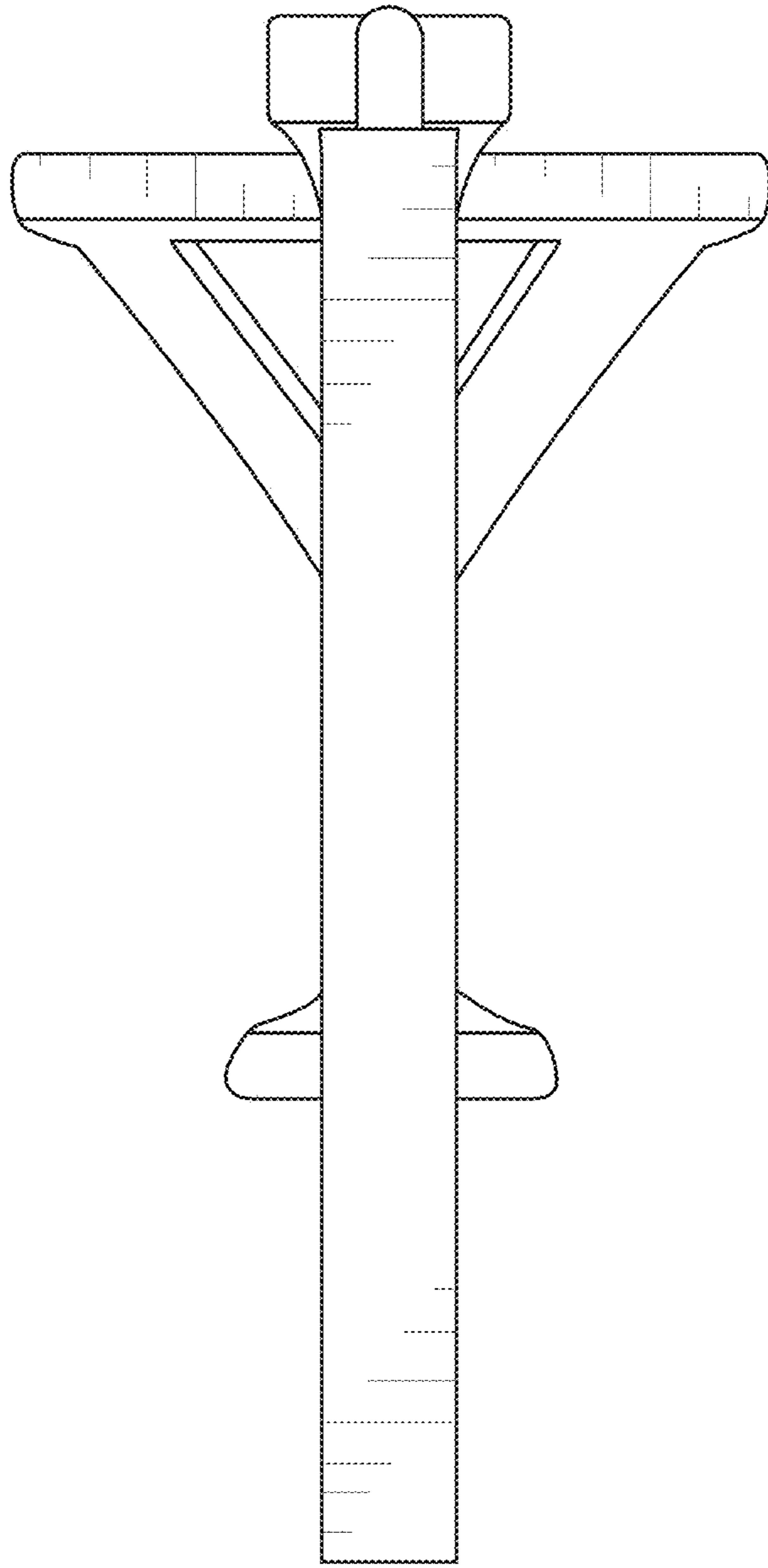


FIG. 79

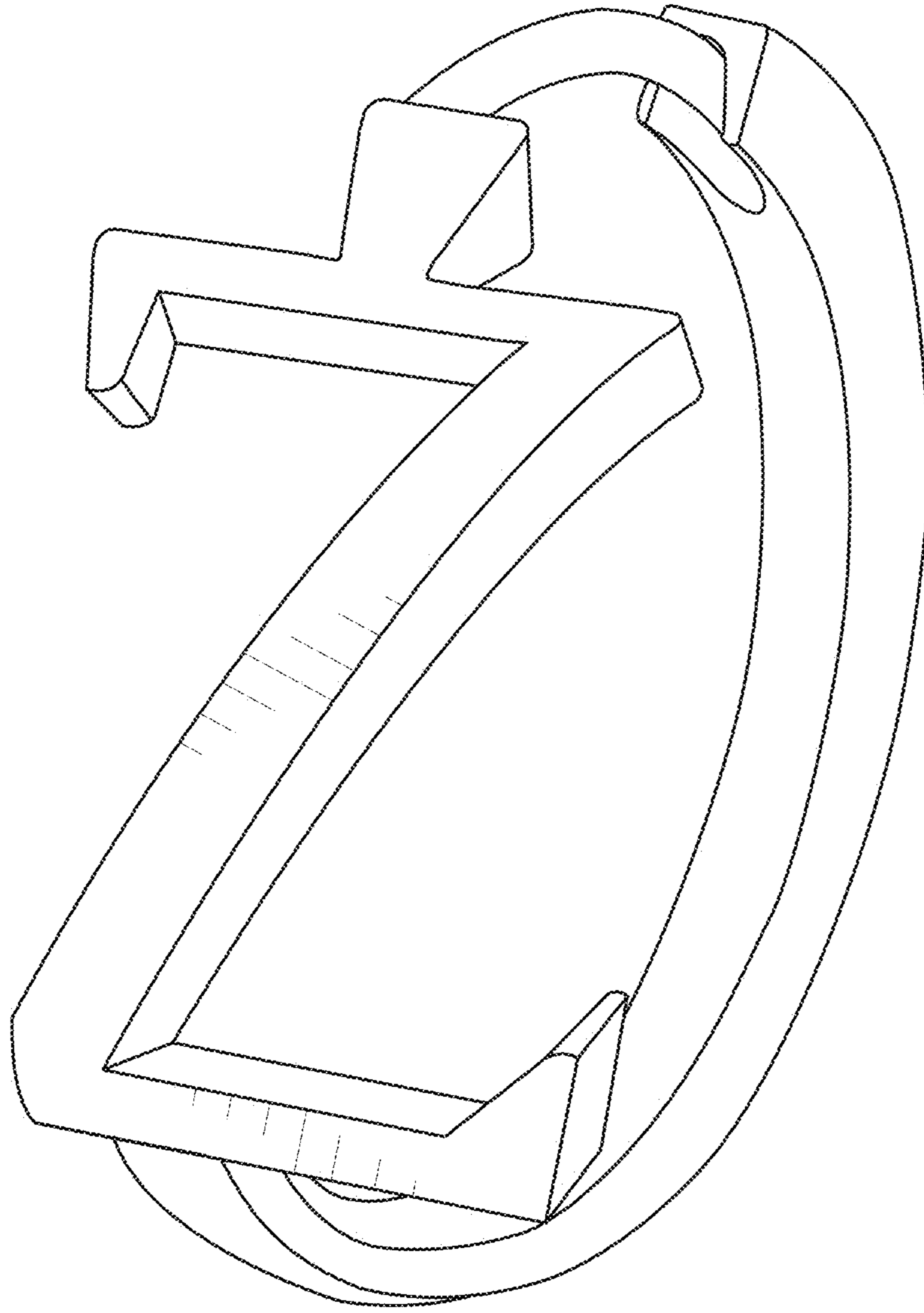


FIG. 80

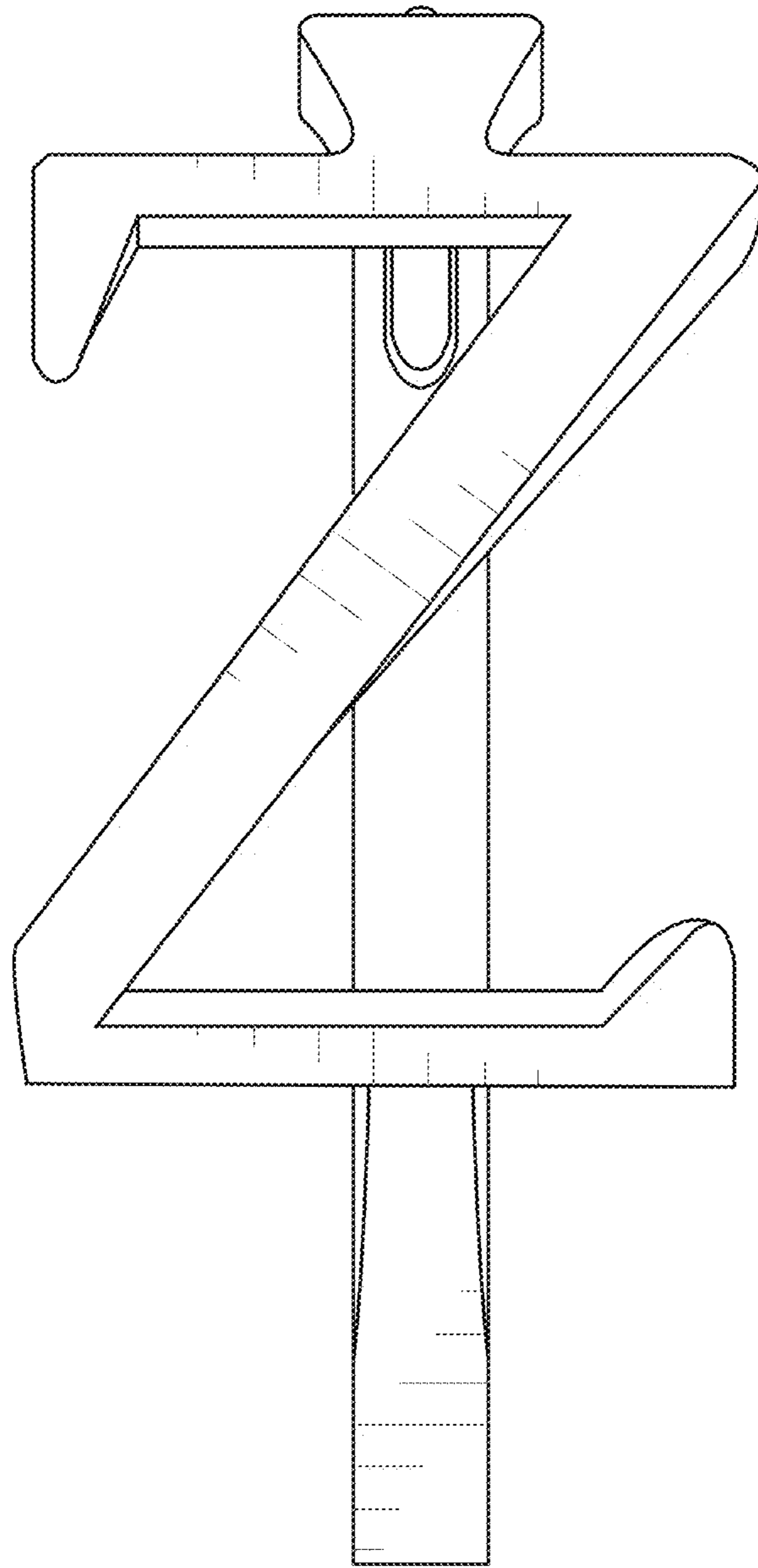


FIG. 81

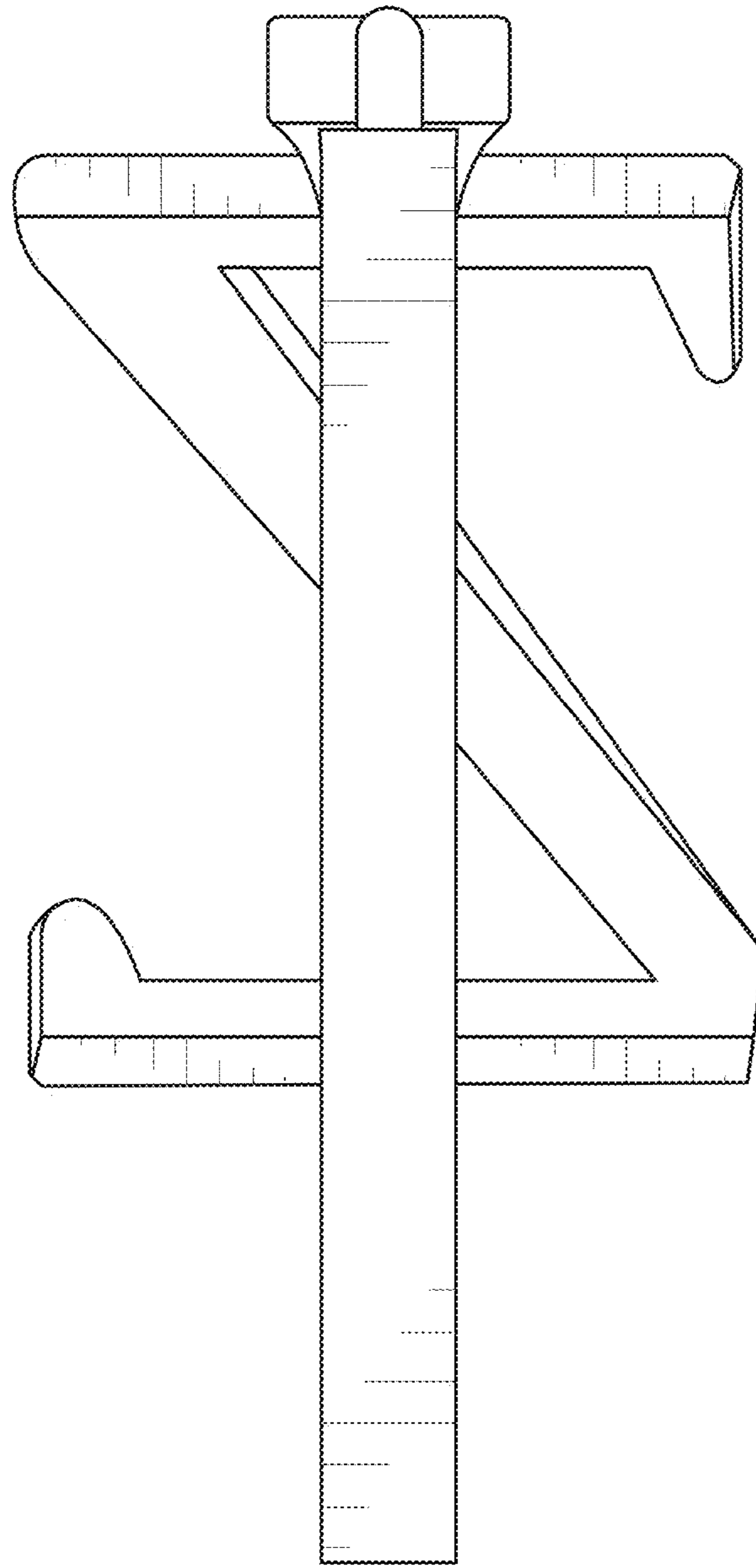


FIG. 82