



US00D935340S

(12) **United States Design Patent** (10) **Patent No.:** **US D935,340 S**  
**Gurung** (45) **Date of Patent:** **\*\* Nov. 9, 2021**

(54) **JEWELLERY**  
(71) Applicant: **TASAKI & Co., Ltd.**, Kobe (JP)  
(72) Inventor: **Prabal Gurung**, New York, NY (US)  
(73) Assignee: **TASAKI & Co., Ltd.**, Kobe (JP)  
(\*\*) Term: **15 Years**  
(21) Appl. No.: **29/770,872**  
(22) Filed: **Feb. 17, 2021**

D418,079 S \* 12/1999 Porcell ..... D11/40  
D420,304 S 2/2000 Porcell  
D456,298 S \* 4/2002 Lee ..... D11/71  
D551,115 S 9/2007 Azrielant  
D631,772 S 2/2011 Gomersall  
D666,117 S 8/2012 Le Bail  
D722,519 S 2/2015 Marchand  
D742,276 S 11/2015 Behney et al.  
D796,989 S 9/2017 Gruosi  
D851,532 S 6/2019 Yamada  
D878,955 S 3/2020 Gurung

(Continued)

**OTHER PUBLICATIONS**

Aurora Earrings EN-4167, no date available, [online], [site visited Jul. 2, 2021]. Retrieved from url:https://www.tasaki-global.com/jewellery/atelier/tasaki\_atelier/aurora/EN-4167-18KWG/?jewellery=earrings (Year: 2021).\*

(Continued)

*Primary Examiner* — Wendy L Arminio  
*Assistant Examiner* — Tracey J Bell  
(74) *Attorney, Agent, or Firm* — Rankin, Hill & Clark LLP

**Related U.S. Application Data**

(62) Division of application No. 29/685,112, filed on Mar. 26, 2019, now Pat. No. Des. 914,537.  
(51) **LOC (13) Cl.** ..... **11-01**  
(52) **U.S. Cl.**  
USPC ..... **D11/40**  
(58) **Field of Classification Search**  
USPC ... D11/1-5, 7-10, 15-18, 26-28, 34, 40-43, D11/45  
CPC .... A44C 1/00; A44C 5/00; A44C 7/00; A44C 7/002; A44C 7/003; A44C 7/004; A44C 7/005; A44C 7/006; A44C 7/007; A44C 7/008; A44C 9/00; A44C 9/0007; A44C 9/0015; A44C 9/0023; A44C 9/003; A44C 15/00; A44C 15/0015; A44C 15/002; A44C 15/0025; A44C 15/005; A44C 15/0055  
See application file for complete search history.

(57) **CLAIM**

I claim the ornamental design for jewellery, as shown and described.

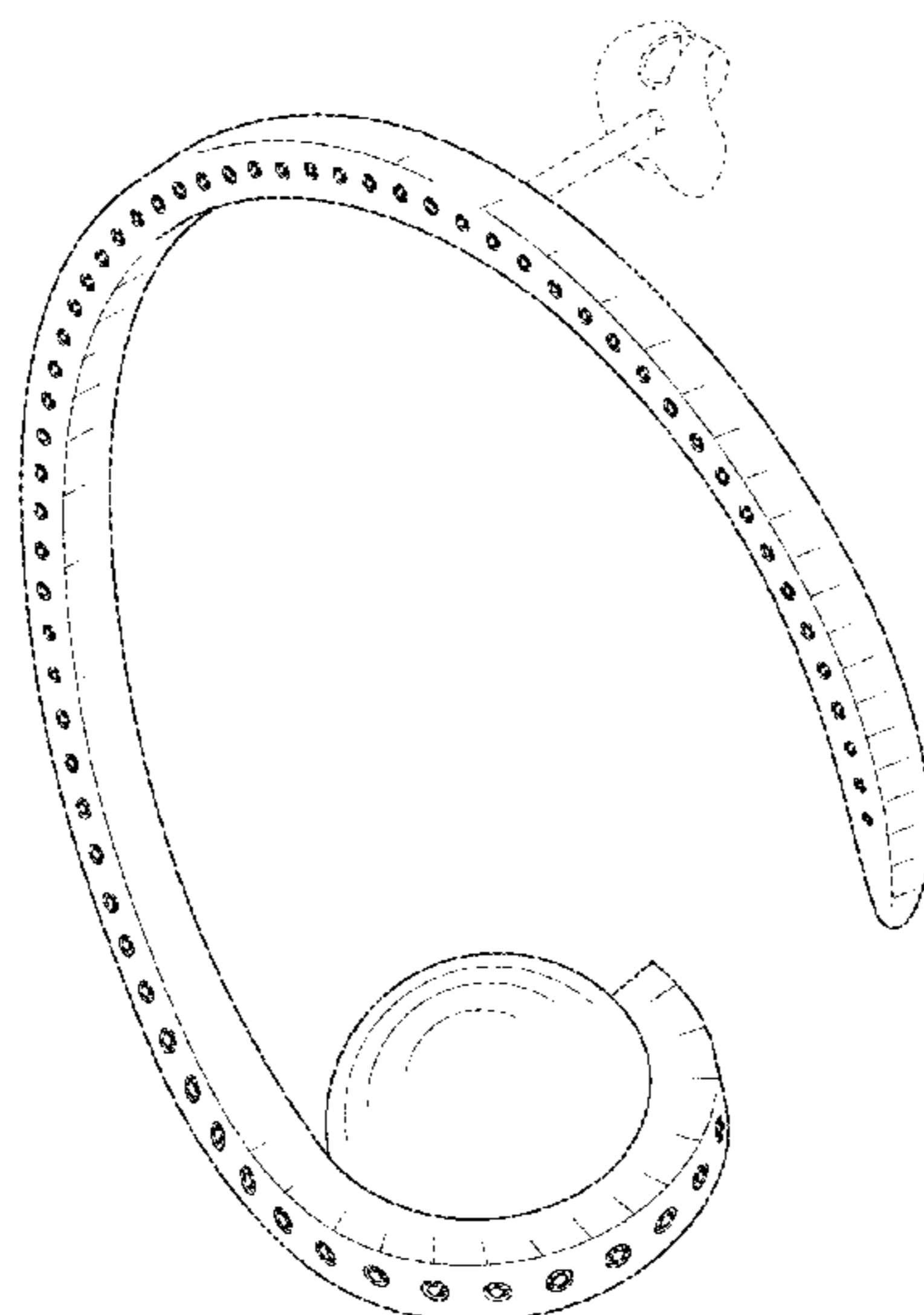
**DESCRIPTION**

FIG. 1 is a perspective view of jewellery, showing my new design;  
FIG. 2 is a front elevational view thereof;  
FIG. 3 is a rear elevational view thereof;  
FIG. 4 is a top plan view thereof;  
FIG. 5 is a bottom plan view thereof;  
FIG. 6 is a left side elevational view thereof; and,  
FIG. 7 is a right side elevational view thereof.  
The broken lines illustrate portions of the jewellery and form no part of the claimed design.

**1 Claim, 5 Drawing Sheets**

(56) **References Cited**  
U.S. PATENT DOCUMENTS

D135,259 S 3/1943 Pereira  
D164,717 S 10/1951 Philippe  
D178,399 S 7/1956 Katz  
3,071,938 A 1/1963 Davidson  
3,828,577 A 8/1974 Haynes  
4,724,684 A 2/1988 Barnett  
D394,412 S 5/1998 Hanson



(56)

**References Cited**

U.S. PATENT DOCUMENTS

D882,447 S	4/2020	Gurung	
D882,448 S	4/2020	Gurung	
D882,451 S	4/2020	Gurung	
D885,235 S	5/2020	Gurung	
D885,239 S	5/2020	Gurung	
D903,523 S	12/2020	Li et al.	
D914,537 S *	3/2021	Gurung	..... D11/79
D916,620 S *	4/2021	Gurung	..... D11/42
D918,762 S *	5/2021	Gurung	..... D11/5
2003/0200765 A1 *	10/2003	Lepere	..... A44C 7/009 63/12

OTHER PUBLICATIONS

Amazon Pearl Pendant Gold Necklace, Jun. 28, 2018, [online], [site visited Dec. 10, 2020], Retrieved from url:[https:// www.amazon.com/Pearl-Pendant-Necklace-Chain-Women/dp/B07DXSXGSR](https://www.amazon.com/Pearl-Pendant-Necklace-Chain-Women/dp/B07DXSXGSR); Cited in USPTO office communication dated Dec. 31, 2020 issued for U.S. Appl. No. 29/685,112.

Tasaki Aurora Necklace PN-16868-18K WG, no date available, [online], [site visited Dec. 10, 2020], Retrieved from url:[https:// www.tasaki-global.com/jewellery/atelier/tasaki\\_atelier/aurora/PN-16868-18K WG/?jewellery=necklace](https://www.tasaki-global.com/jewellery/atelier/tasaki_atelier/aurora/PN-16868-18K WG/?jewellery=necklace); Cited in USPTO office communication dated Dec. 31, 2020 issued for U.S. Appl. No. 29/685,112.

Aurora Tasaki Global, no date available, [online], [site visited Oct. 2, 2020], Retrieved from url:[https:// www.tasaki-global.com/jewellery/atelier/tasaki\\_atelier/aurora/E-4168-18KSG/?jewellery=earrings](https://www.tasaki-global.com/jewellery/atelier/tasaki_atelier/aurora/E-4168-18KSG/?jewellery=earrings); Cited in USPTO office communication dated Oct. 7, 2020 issued for U.S. Appl. No. 29/685,112.

\* cited by examiner

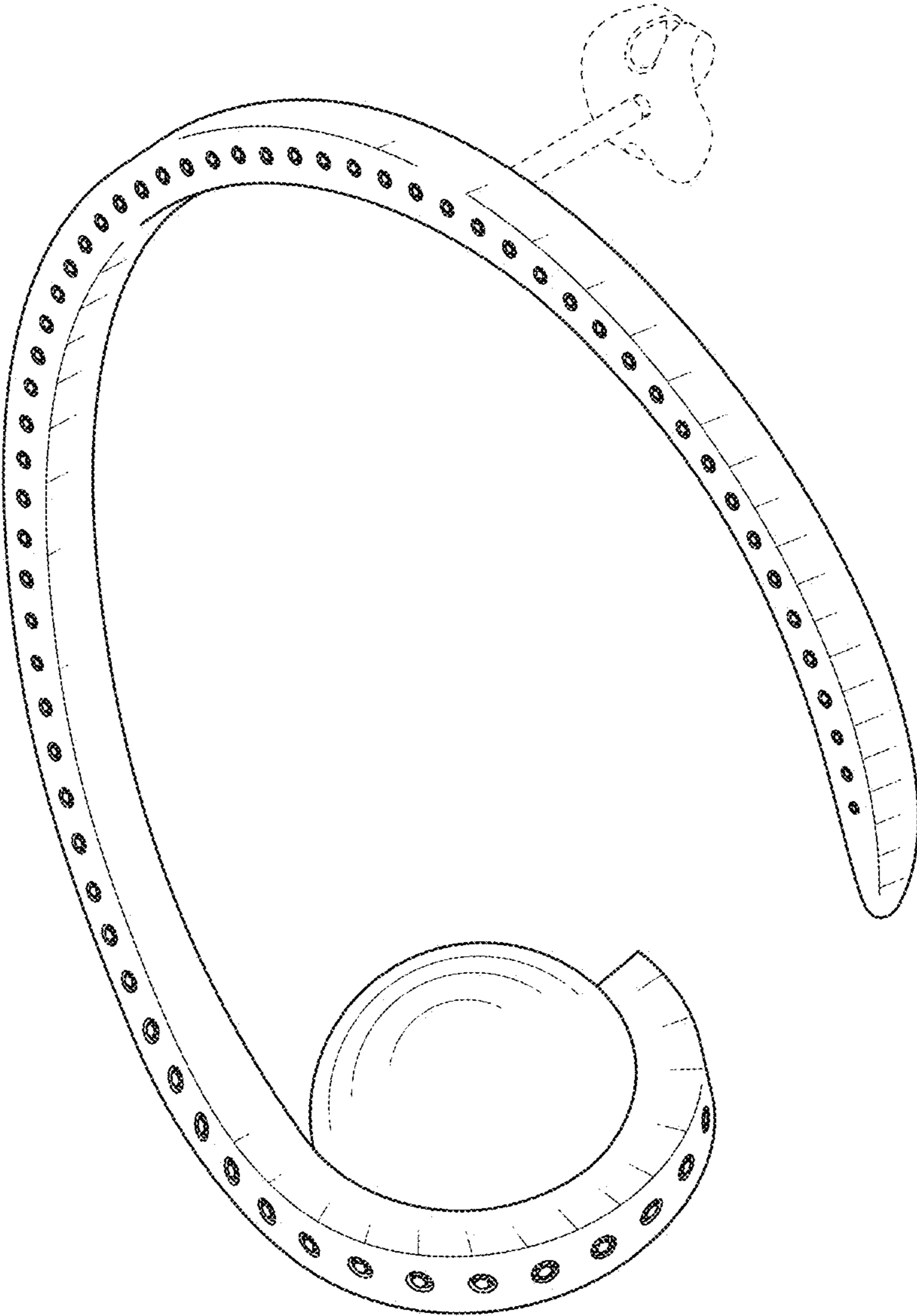


FIG. 1

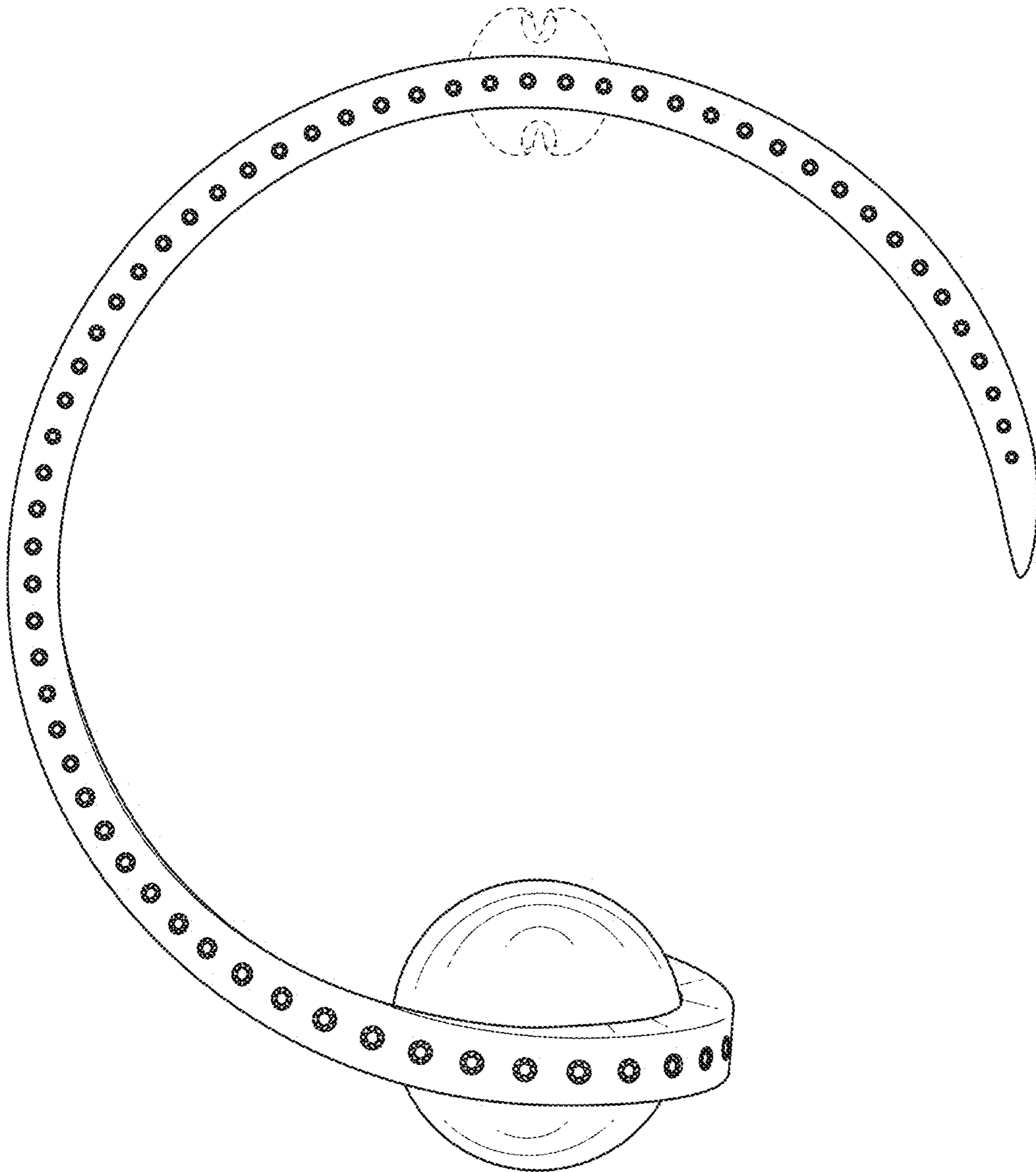


FIG. 2

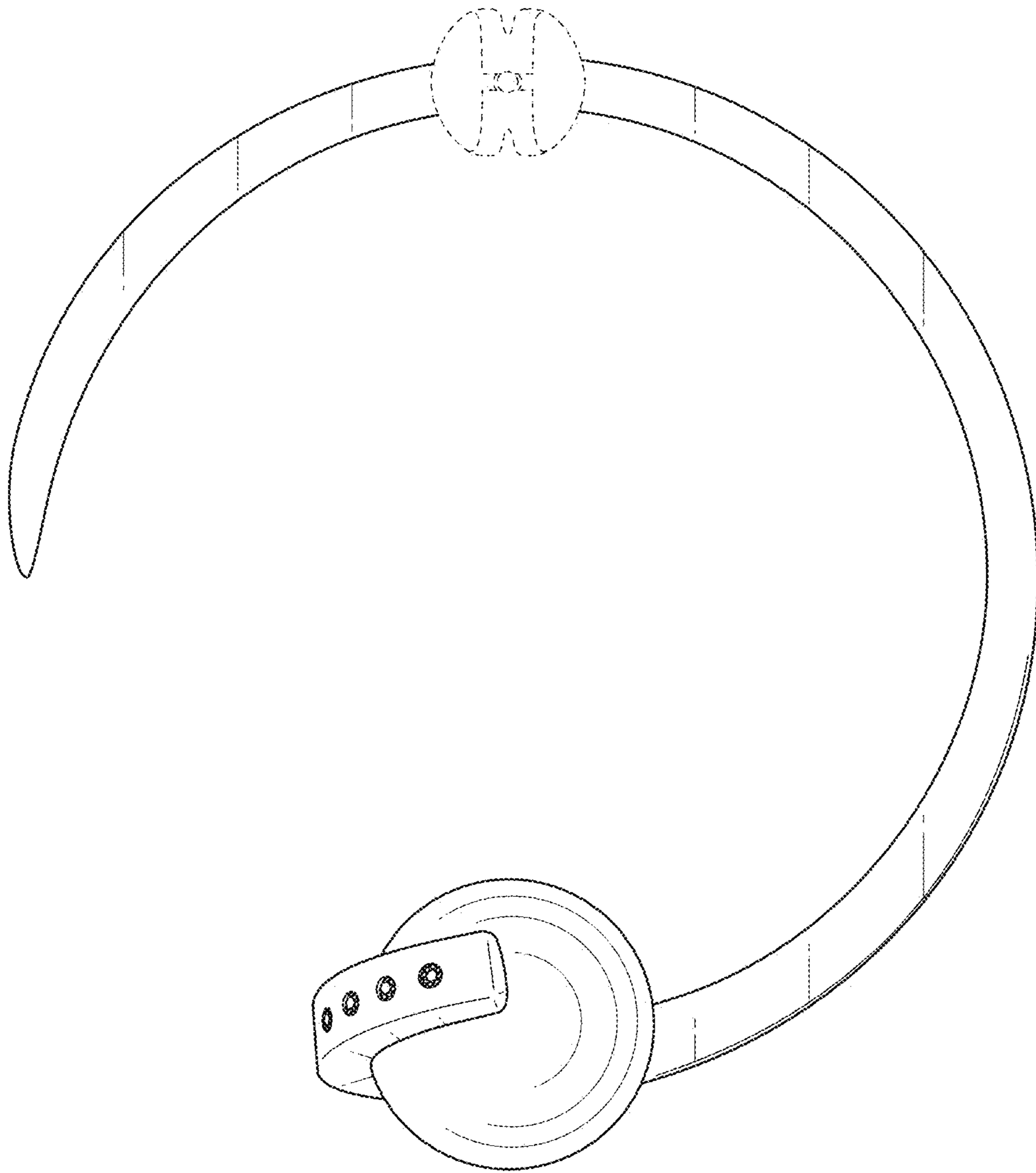


FIG. 3



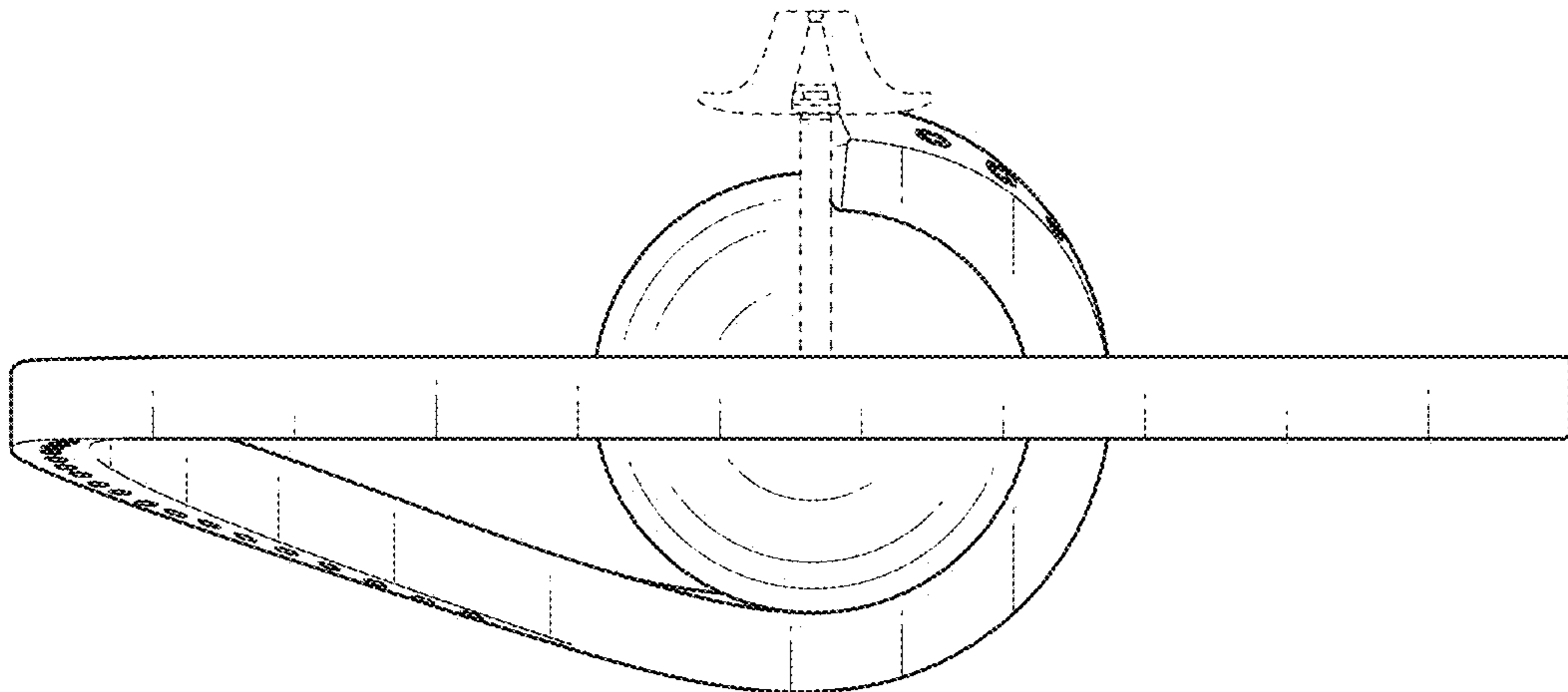


FIG. 4

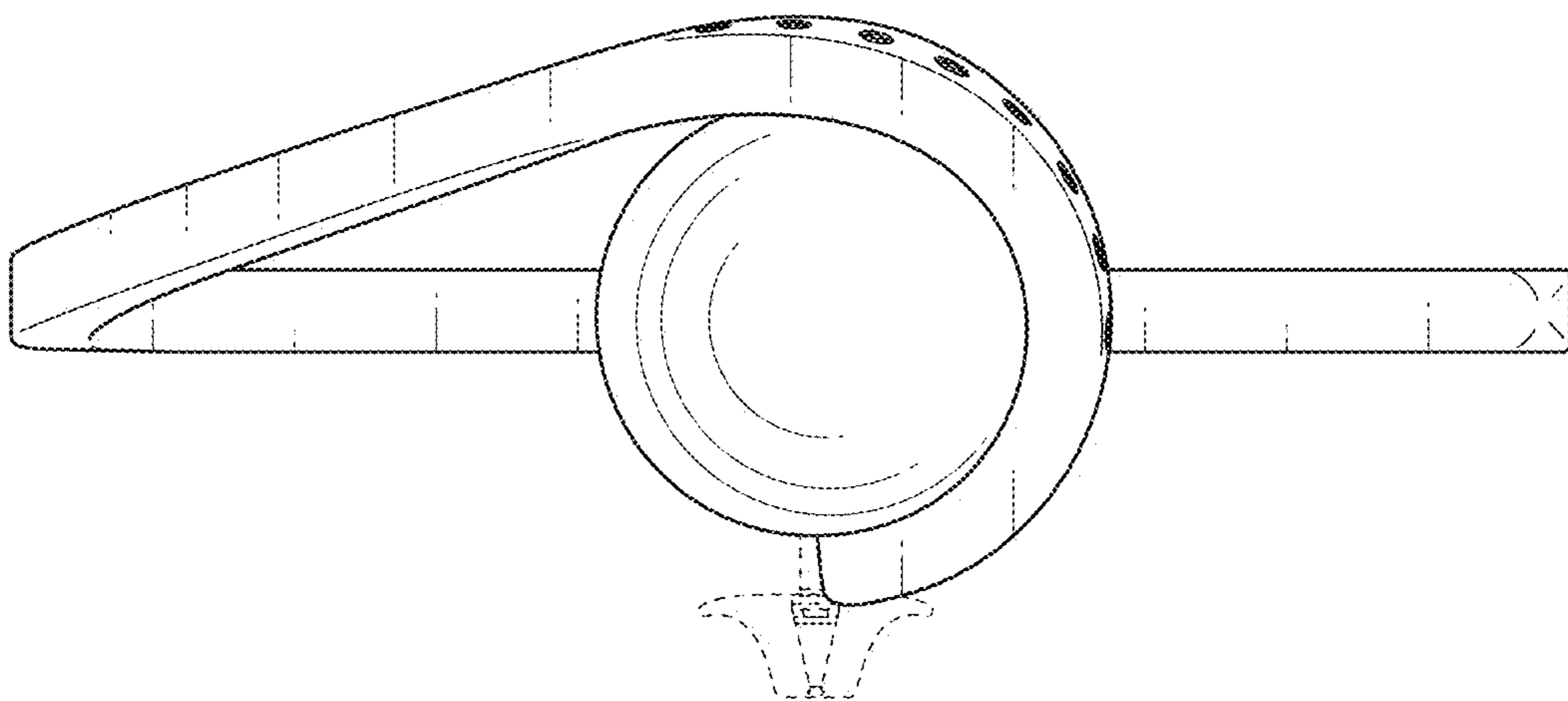


FIG. 5

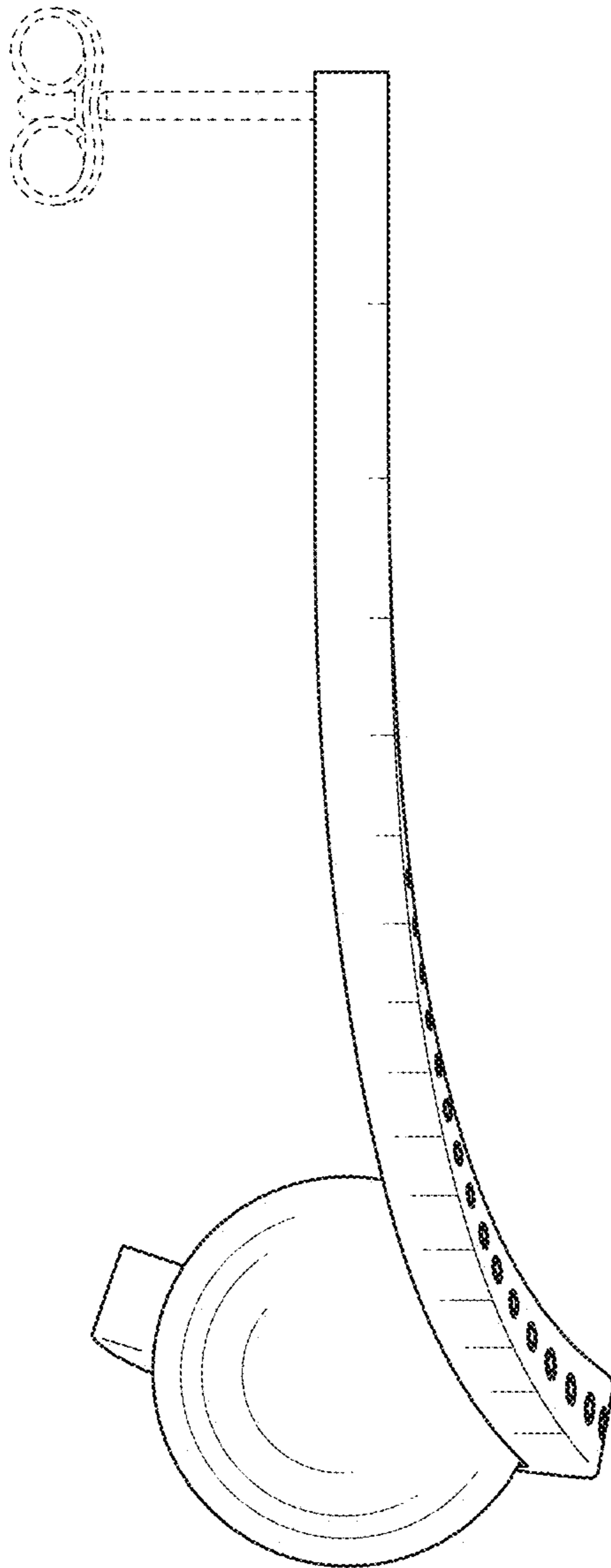


FIG. 6

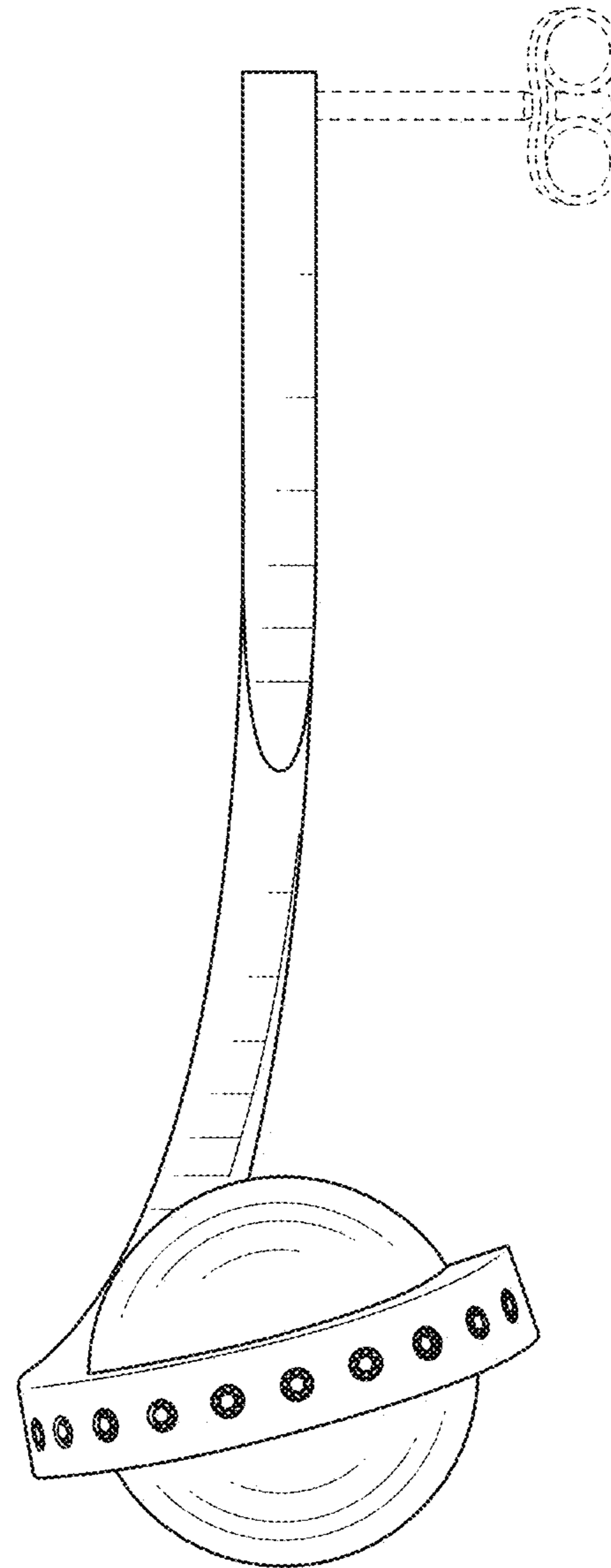


FIG. 7