



US00D935337S

(12) **United States Design Patent**  
**Huang**

(10) **Patent No.:** **US D935,337 S**

(45) **Date of Patent:** **\*\* Nov. 9, 2021**

(54) **VIDEO DOORBELL**

(71) Applicant: **Shenzhen Chuanghongyu Technology Co., Ltd., Shenzhen (CN)**

(72) Inventor: **Bin Huang, Jieyang (CN)**

(\*\*) Term: **15 Years**

(21) Appl. No.: **29/749,729**

(22) Filed: **Sep. 9, 2020**

(30) **Foreign Application Priority Data**

Aug. 25, 2020 (CN) ..... 202030489547.9

(51) **LOC (13) Cl.** ..... **10-05**

(52) **U.S. Cl.**  
USPC ..... **D10/118.2**

(58) **Field of Classification Search**  
USPC ..... D10/118.2; D16/203  
CPC ..... H04N 7/186  
See application file for complete search history.

(56) **References Cited**

**U.S. PATENT DOCUMENTS**

D793,268	S	*	8/2017	Ye	.....	D10/118.2
9,894,328	B2	*	2/2018	Siminoff	.....	H04N 7/186
D816,528	S		5/2018	Wen		
D820,136	S	*	6/2018	Scalisi	.....	D10/118.2
D829,585	S	*	10/2018	Siminoff	.....	D10/118.2
D848,299	S	*	5/2019	Li	.....	D10/118.2
D854,958	S	*	7/2019	Siminoff	.....	D10/118.2
D856,838	S	*	8/2019	Siminoff	.....	D10/118.2
D858,338	S	*	9/2019	Yu	.....	D10/118.2
D859,200	S	*	9/2019	Siminoff	.....	D10/118.2
D860,029	S	*	9/2019	Yang	.....	D10/118.2
D866,379	S	*	11/2019	Siminoff	.....	D10/118.2
D866,380	S	*	11/2019	Siminoff	.....	D10/118.2

D870,587	S	*	12/2019	Siminoff	.....	D10/118.2
D871,483	S	*	12/2019	Chang	.....	D16/203
D879,640	S	*	3/2020	Jacob	.....	D10/118.2
D894,774	S		9/2020	Yu		
D900,659	S		11/2020	Yu		

**OTHER PUBLICATIONS**

Amazon.com Video Doorbell Wireless WiFi Doobrell Camera . . .  
[https://www.amazon.com/Doorbell-Wireless-Waterproof-Security-Real-Time/dp/B08C7L9TG9/ref=sr\\_1\\_21?dchild=1&keywords=video+doorbell&qid=1622756995&sr=8-21.\\*](https://www.amazon.com/Doorbell-Wireless-Waterproof-Security-Real-Time/dp/B08C7L9TG9/ref=sr_1_21?dchild=1&keywords=video+doorbell&qid=1622756995&sr=8-21.*)

\* cited by examiner

*Primary Examiner* — George D. Kirschbaum

(57) **CLAIM**

The ornamental design for a video doorbell, as shown and described.

**DESCRIPTION**

FIG. 1 is a first perspective view of a video doorbell showing my new design;

FIG. 2 is a second perspective view thereof;

FIG. 3 is a front view thereof;

FIG. 4 is a back view thereof;

FIG. 5 is a left side view thereof;

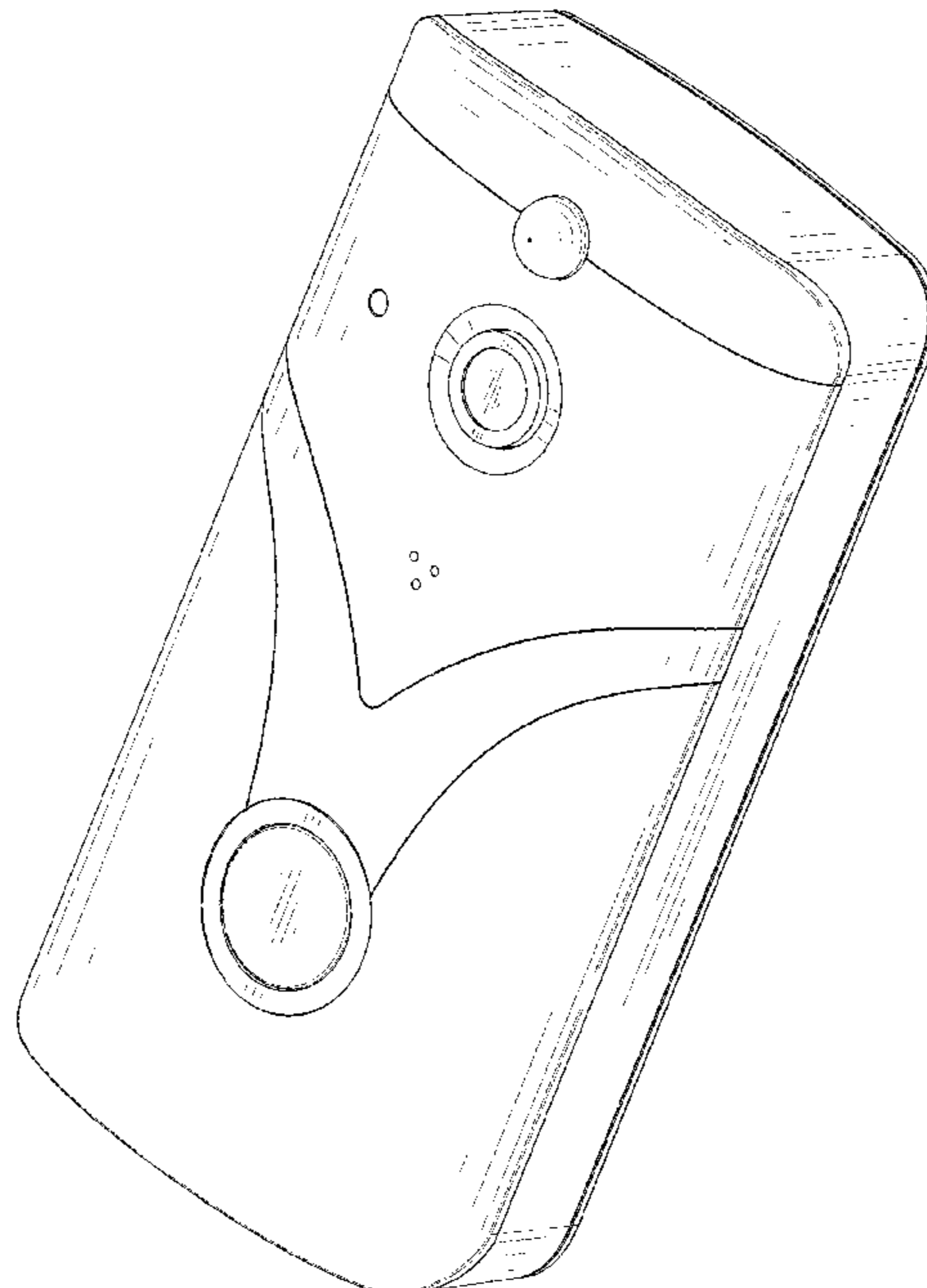
FIG. 6 is a right side view thereof;

FIG. 7 is a top view thereof; and,

FIG. 8 is a bottom view thereof.

The broken lines shown in the drawings depict portions of the video doorbell in which the design is embodied that form no part of the claimed design.

**1 Claim, 8 Drawing Sheets**



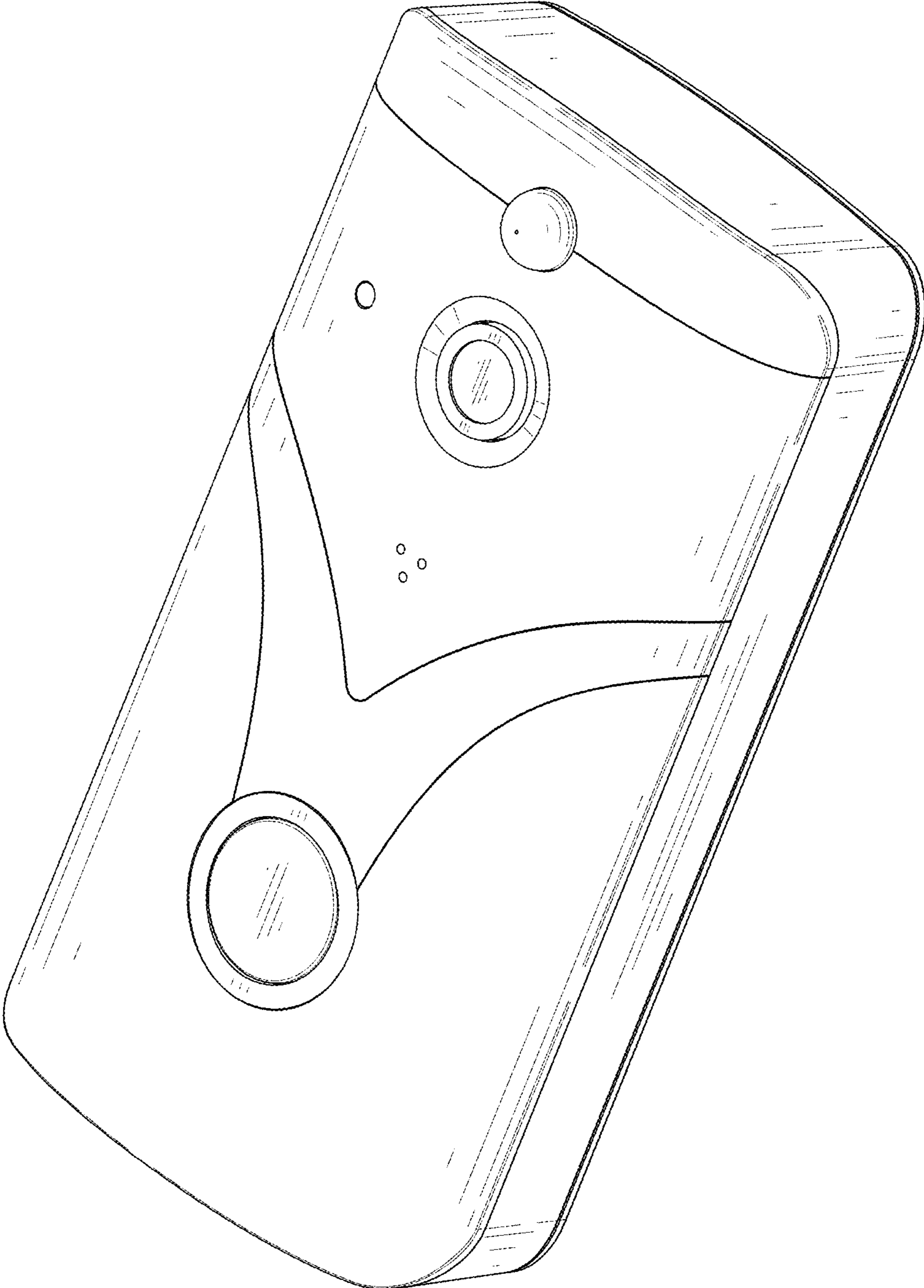


FIG. 1

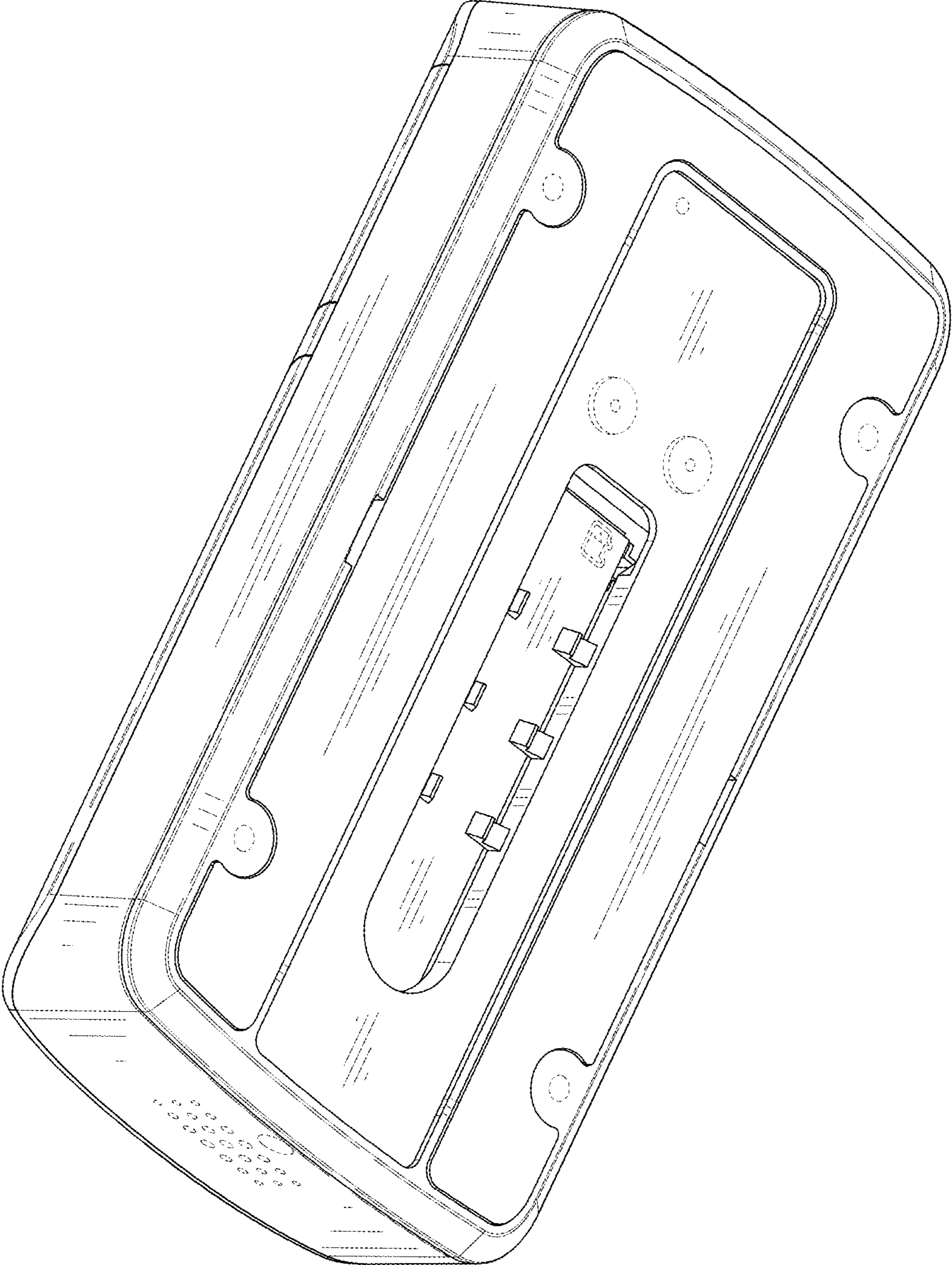


FIG. 2

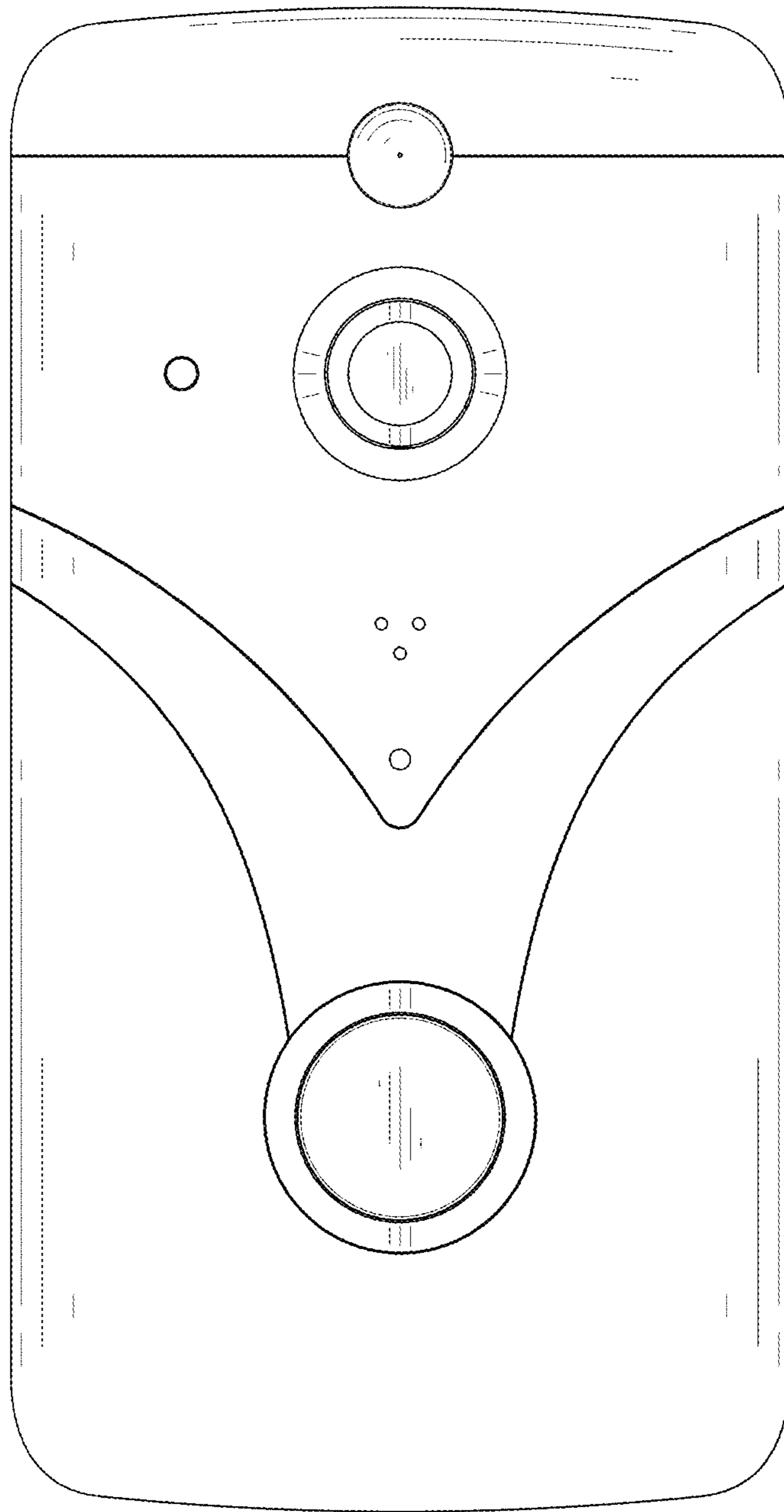


FIG. 3

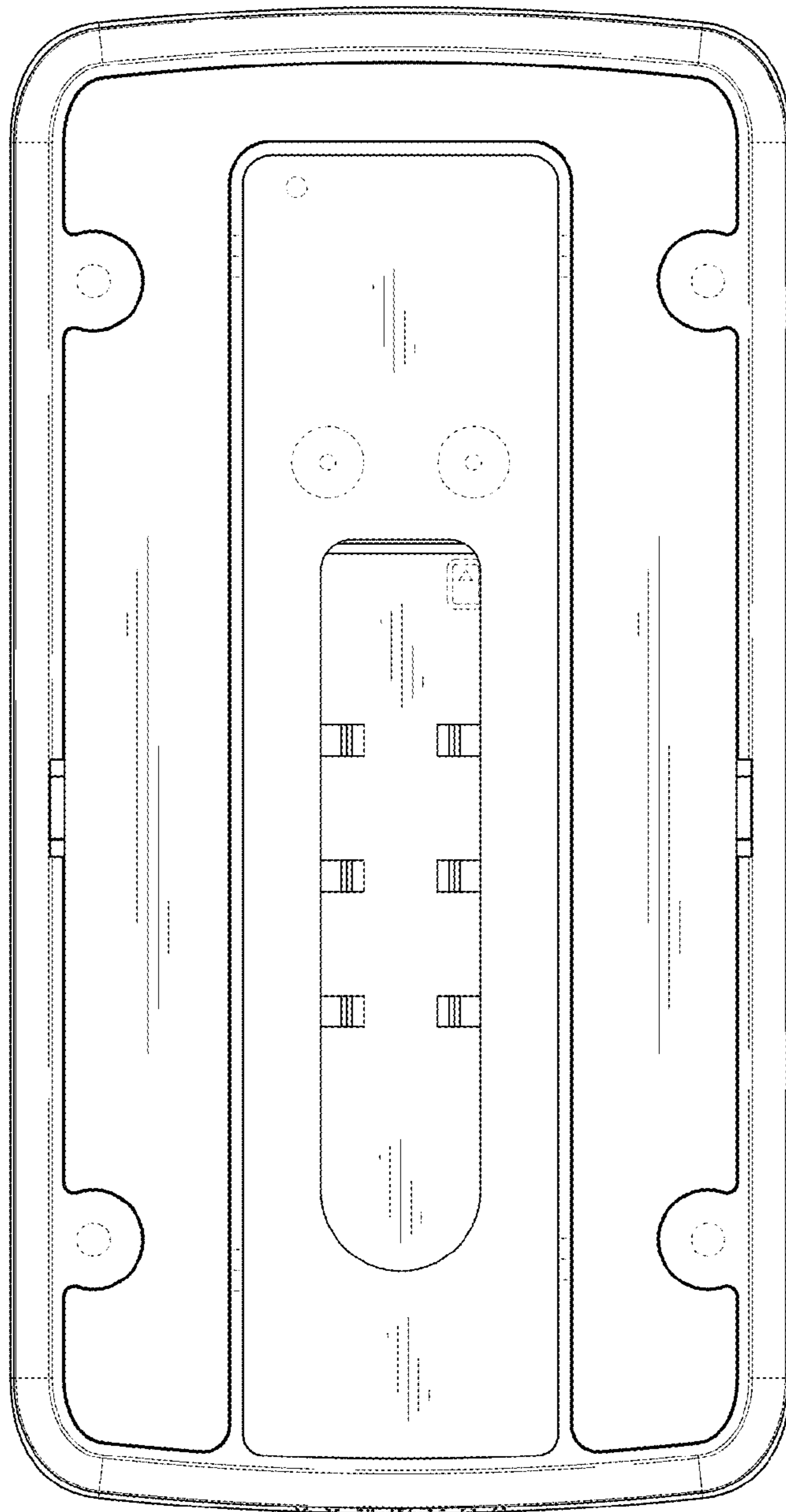


FIG. 4

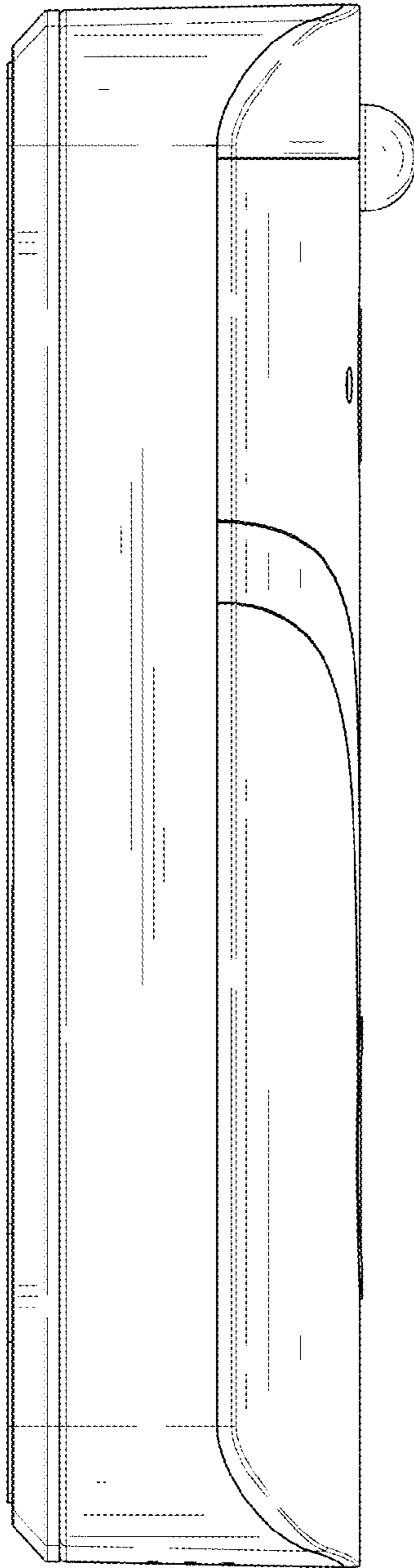


FIG. 5

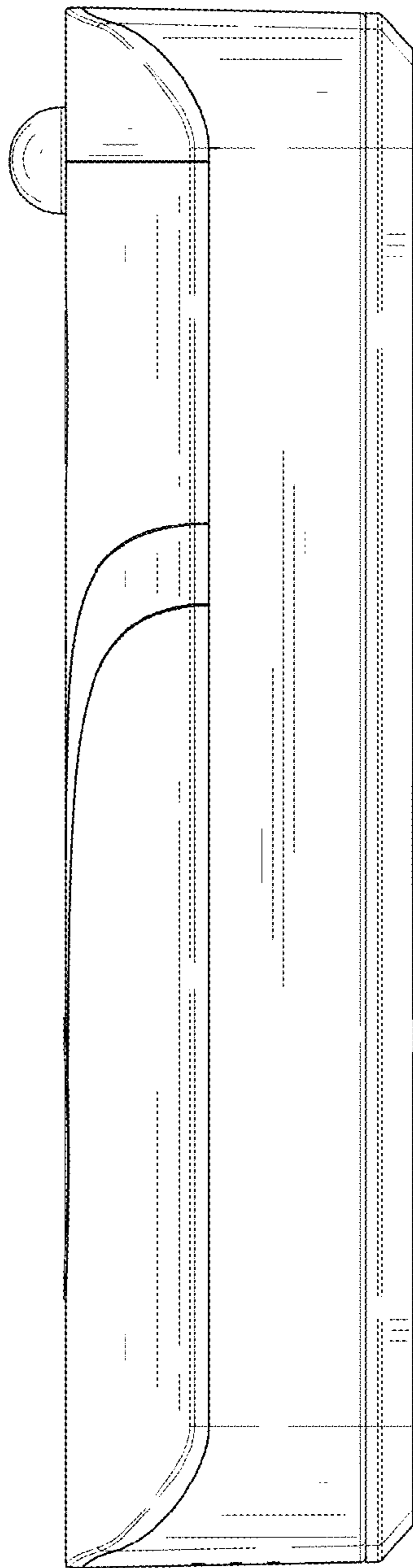


FIG. 6

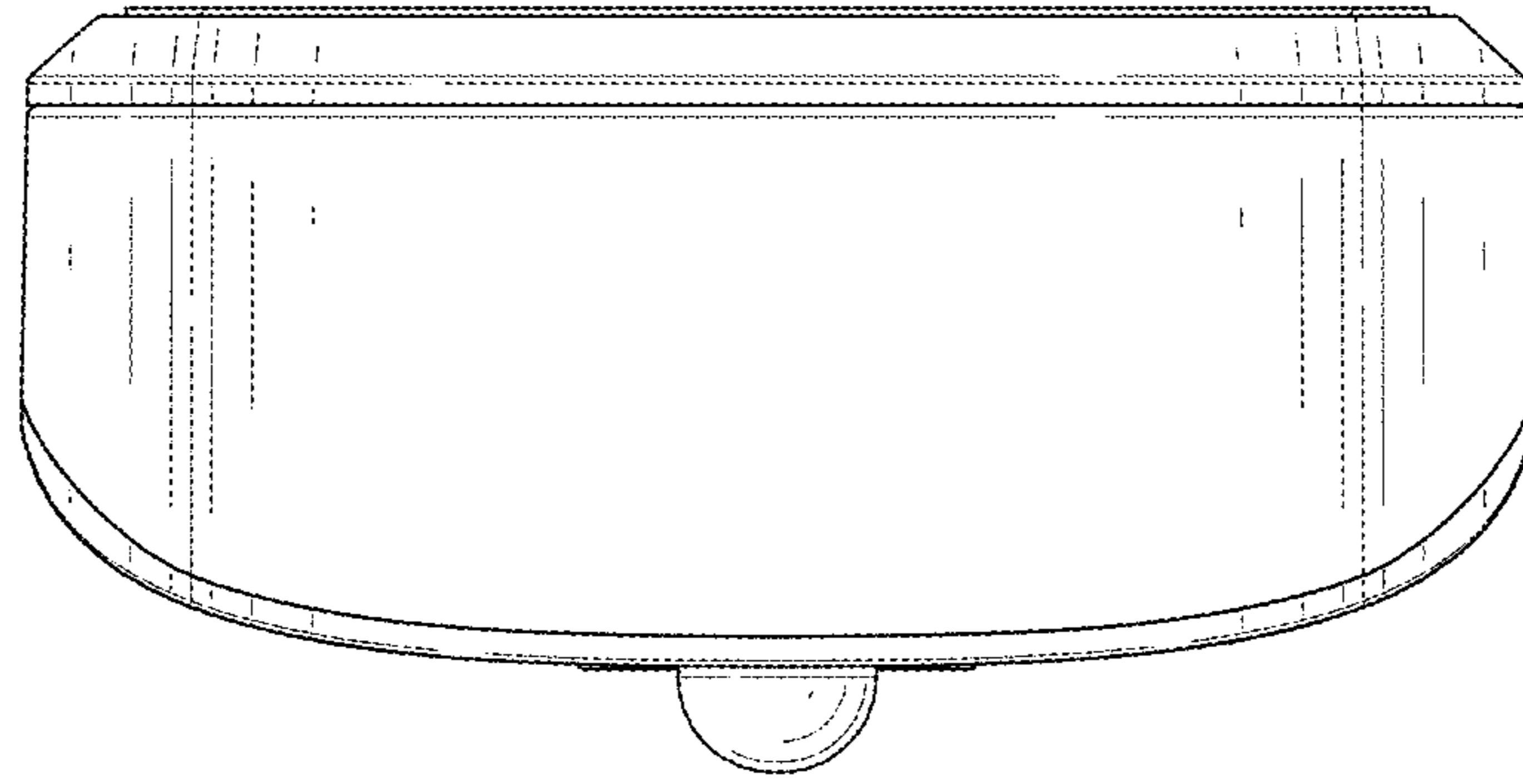


FIG. 7



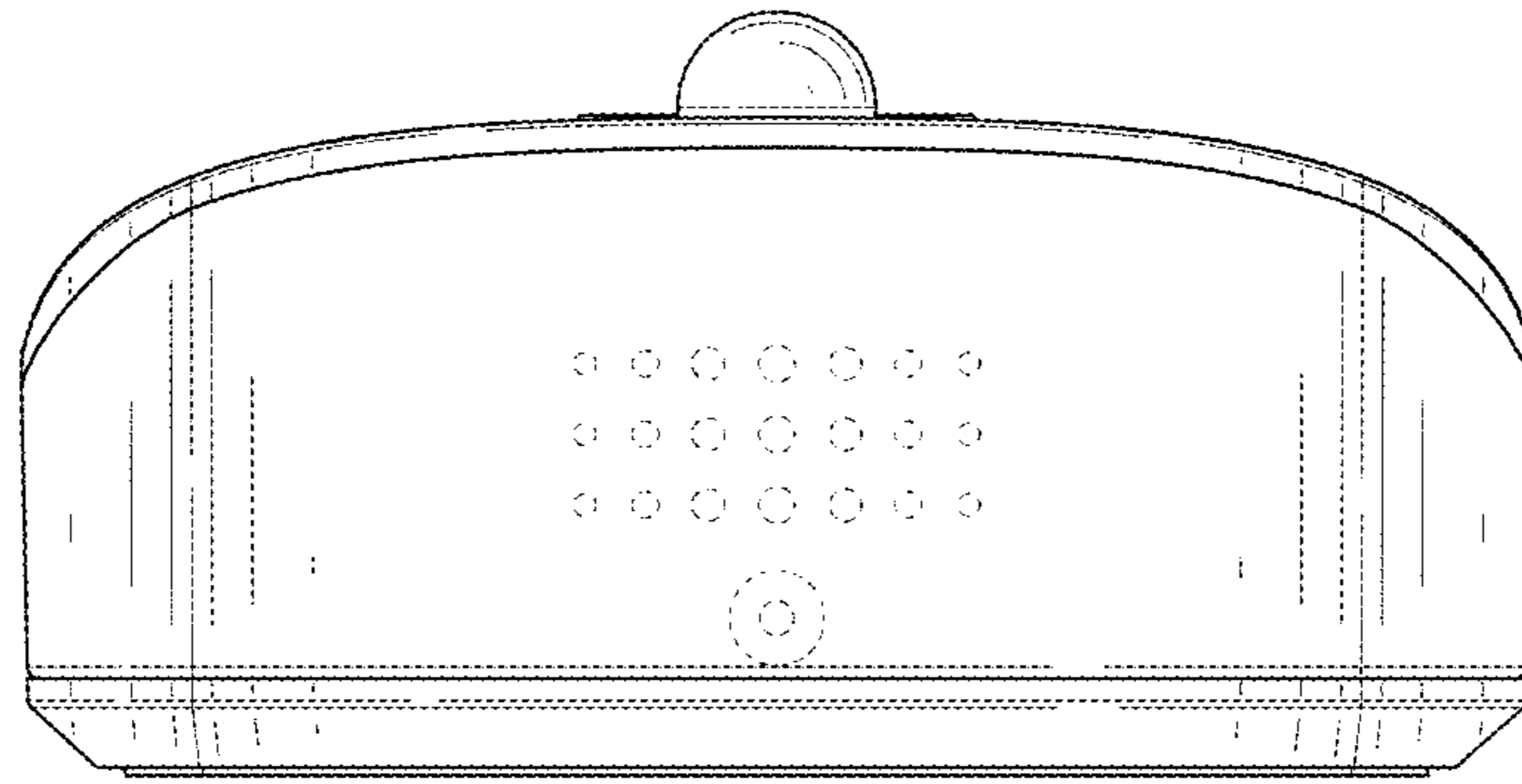


FIG. 8