



US00D935336S

(12) **United States Design Patent**
Marx et al.

(10) **Patent No.:** **US D935,336 S**

(45) **Date of Patent:** **** Nov. 9, 2021**

(54) **CYCLOMETER FOR E-BIKES**

(71) Applicant: **Brose Antriebstechnik GmbH & Co.,**
Berlin (DE)

(72) Inventors: **Christian Marx**, Saarbrücken (DE);
Georg Lamparth, Berlin (DE);
Volkmar Rollenbeck, Bochum (DE)

(73) Assignee: **Brose Antriebstechnik GmbH & Co.,**
Berlin (DE)

(**) Term: **15 Years**

(21) Appl. No.: **29/704,326**

(22) Filed: **Sep. 4, 2019**

(30) **Foreign Application Priority Data**

Mar. 5, 2019 (EM) 006280228

(51) **LOC (13) Cl.** **10-04**

(52) **U.S. Cl.**
USPC **D10/98**

(58) **Field of Classification Search**
USPC D10/98

CPC . A63B 24/00; A63B 2225/50; A63B 24/0006;
A63B 24/0062; A63B 69/16; A63B
2024/0009; A63B 2024/0068; A63B
2024/0012; A63B 2230/06; A63B
71/0669; A63B 2220/17; A63B 2220/20;
A63B 2220/30; A63B 2220/833; A63B
2225/20; A63B 2230/04; A63B 2230/207;
A63B 2230/30; A63B 2230/50; B62J
99/00; B62J 2099/0026; B62J 2099/002;
B62J 2099/0013; B62J 6/02; B62J
2099/0033; B62J 11/00; B62J 45/20;
B62K 11/14; B62K 21/12; B62K 21/16;
B62K 2207/00; B62L 1/12; B62L 3/00;
G01P 11/00; G01P 3/50; G01P 3/481;
G01P 3/487; G01P 3/488; G01P 3/4953;

G01P 21/02; G01C 22/002; G01C 22/00;
G06F 3/0488; G06F 1/1656; G06F
1/1626; G06F 1/1632; G06F 1/1637;
G01D 1/026; F16M 13/022; F16M
11/041; F16M 11/06; H05K 5/0204

See application file for complete search history.

(56) **References Cited**

U.S. PATENT DOCUMENTS

D842,737 S *	3/2019	Haag	D10/98
D843,867 S *	3/2019	Haag	D10/98
D918,751 S *	5/2021	Haag	D10/98
D924,709 S *	7/2021	Marx	D10/98
2006/0191151 A1 *	8/2006	Huang	B65H 35/0033 33/733

* cited by examiner

Primary Examiner — Antoine Duval Davis

(74) *Attorney, Agent, or Firm* — Reising Ethington, P.C.

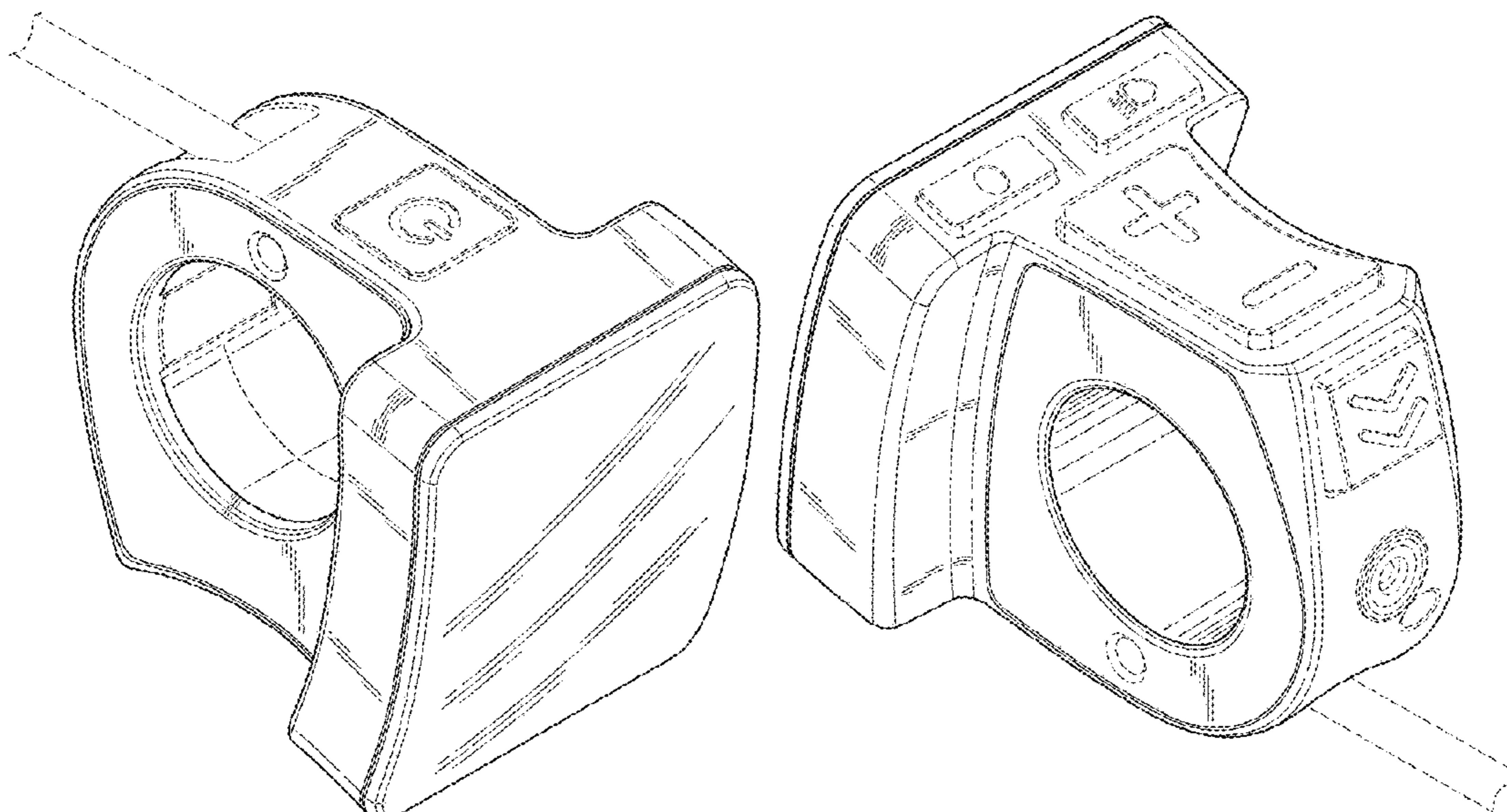
(57) **CLAIM**

The ornamental design for a cyclometer for e-bikes, as shown and described.

DESCRIPTION

FIG. 1 is a perspective view of the cyclometer for e-bikes; FIG. 2 is a front view thereof; FIG. 3 is a rear view thereof; FIG. 4 is a top view thereof; FIG. 5 is a bottom view thereof; FIG. 6 is a side view thereof; FIG. 7 is an opposite side view thereof; and, FIG. 8 is another perspective view thereof. The broken lines in the drawings illustrate portions of the cyclometer for e-bikes that form no part of the claimed design.

1 Claim, 4 Drawing Sheets



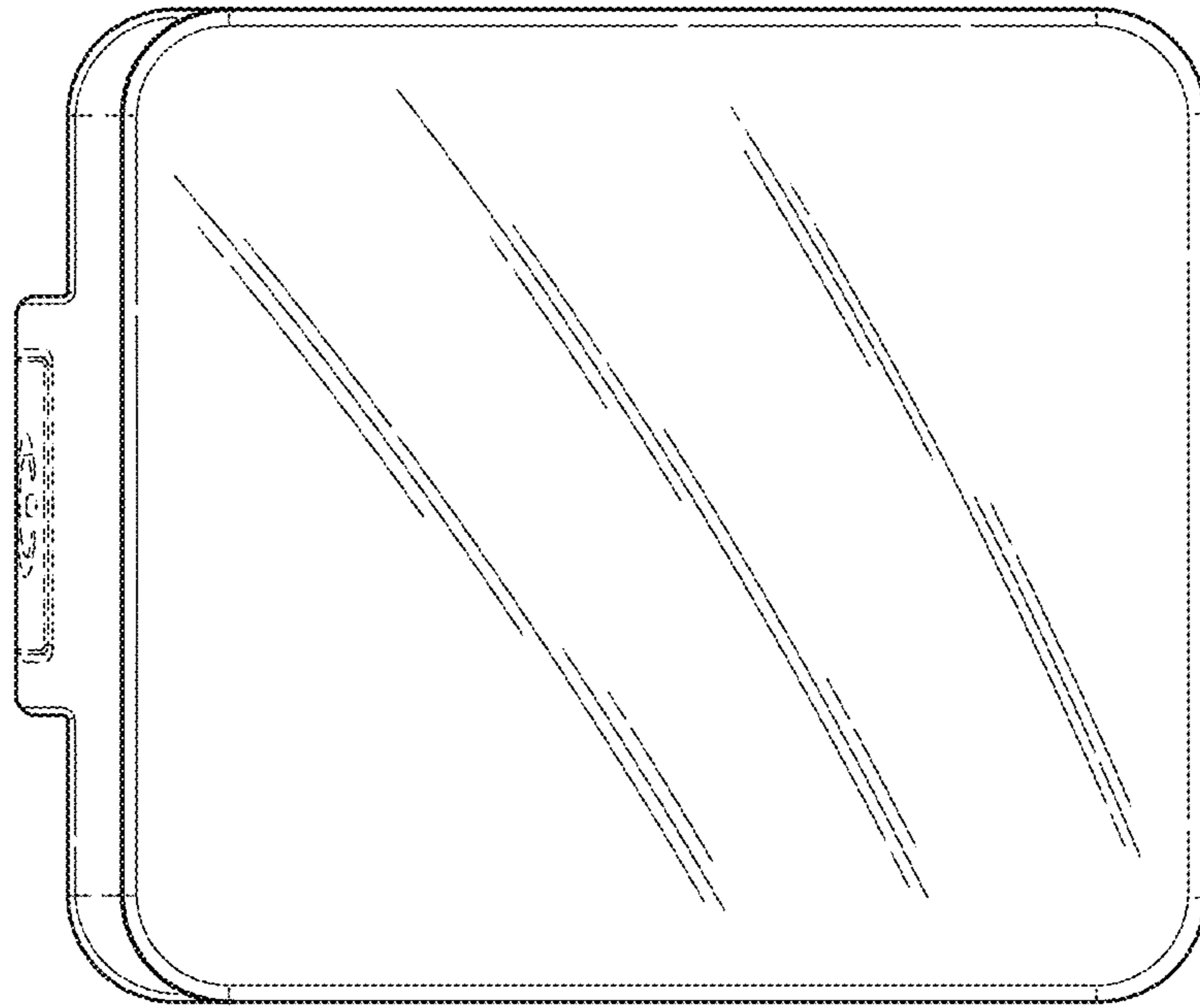


FIG. 4

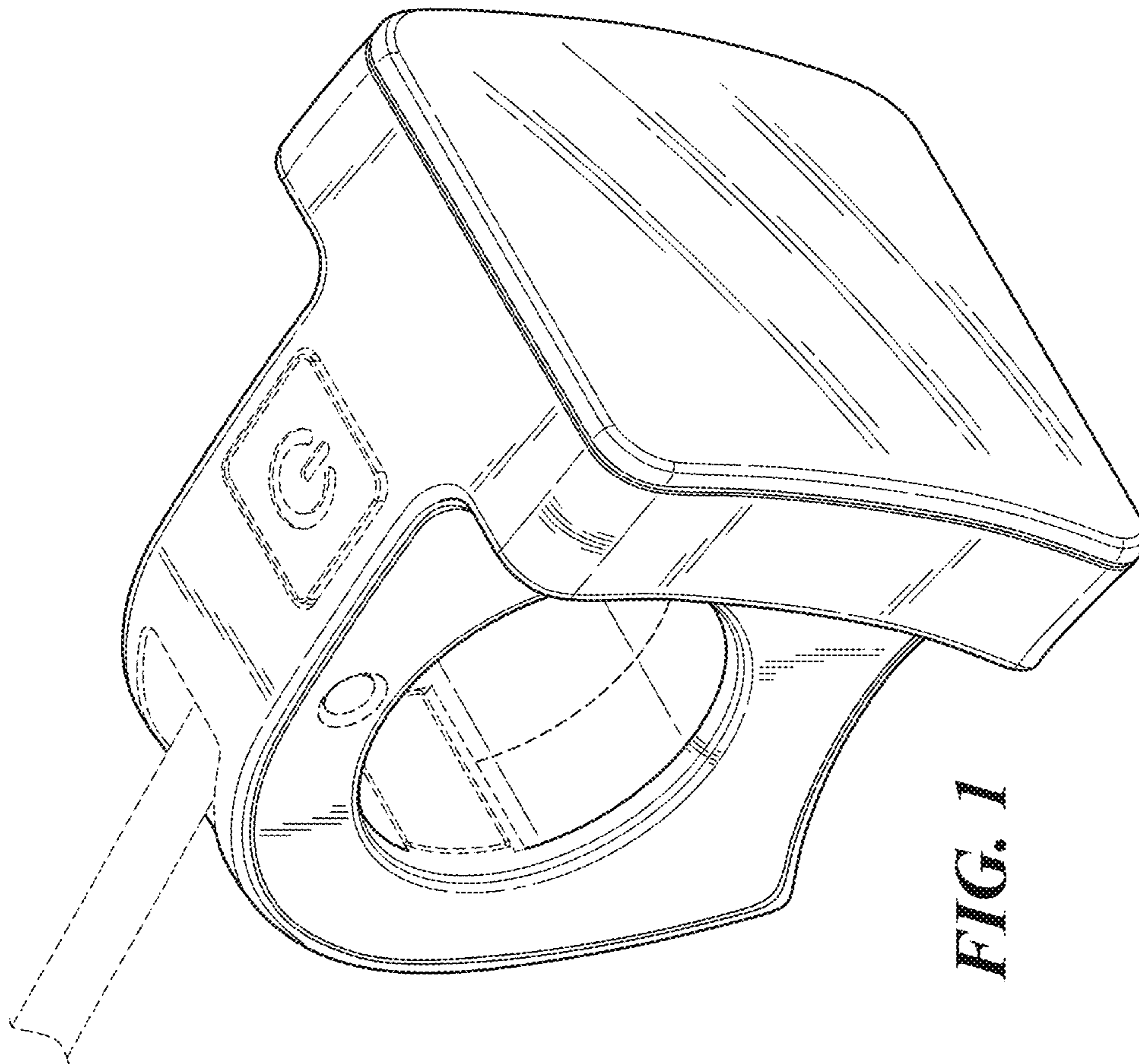


FIG. 1

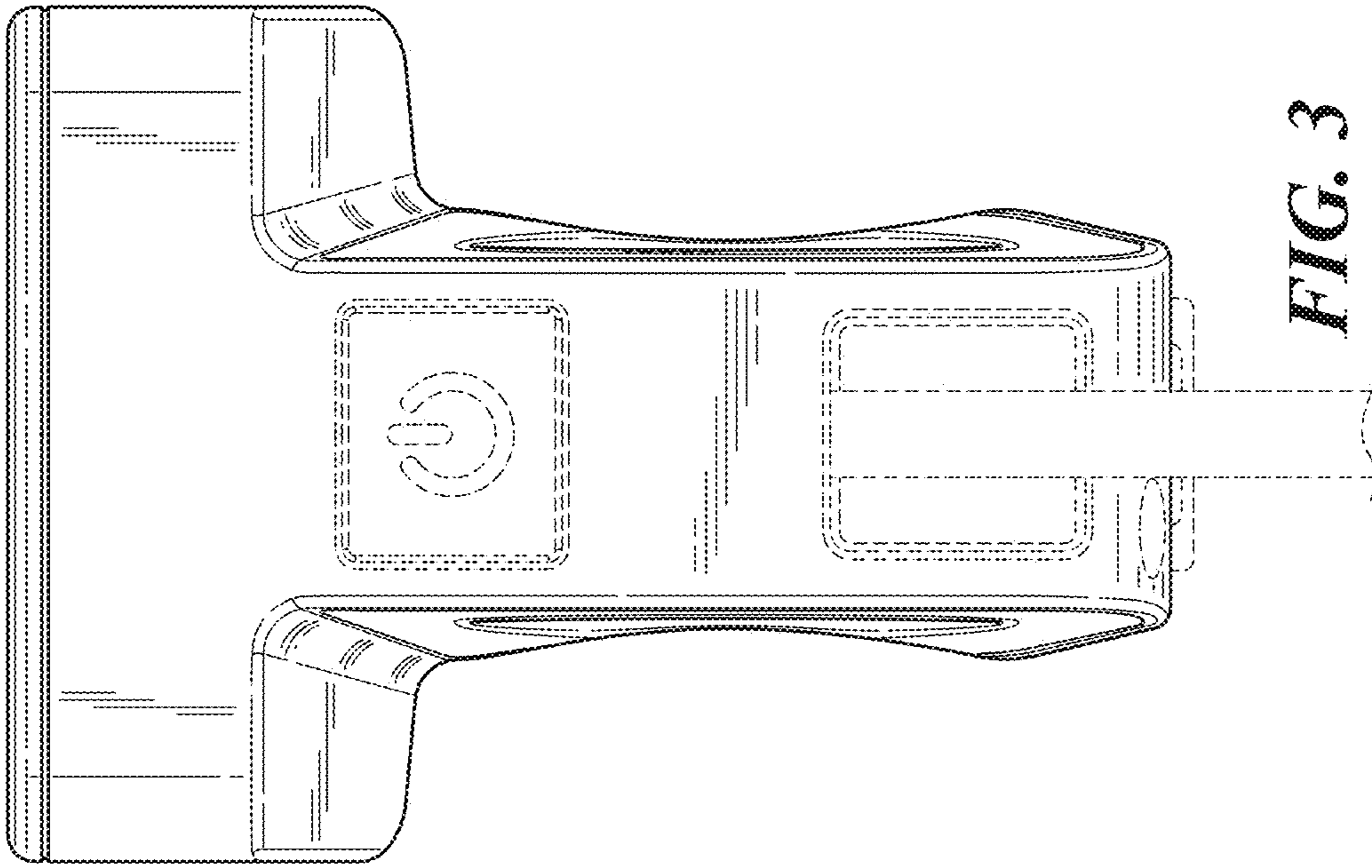


FIG. 3

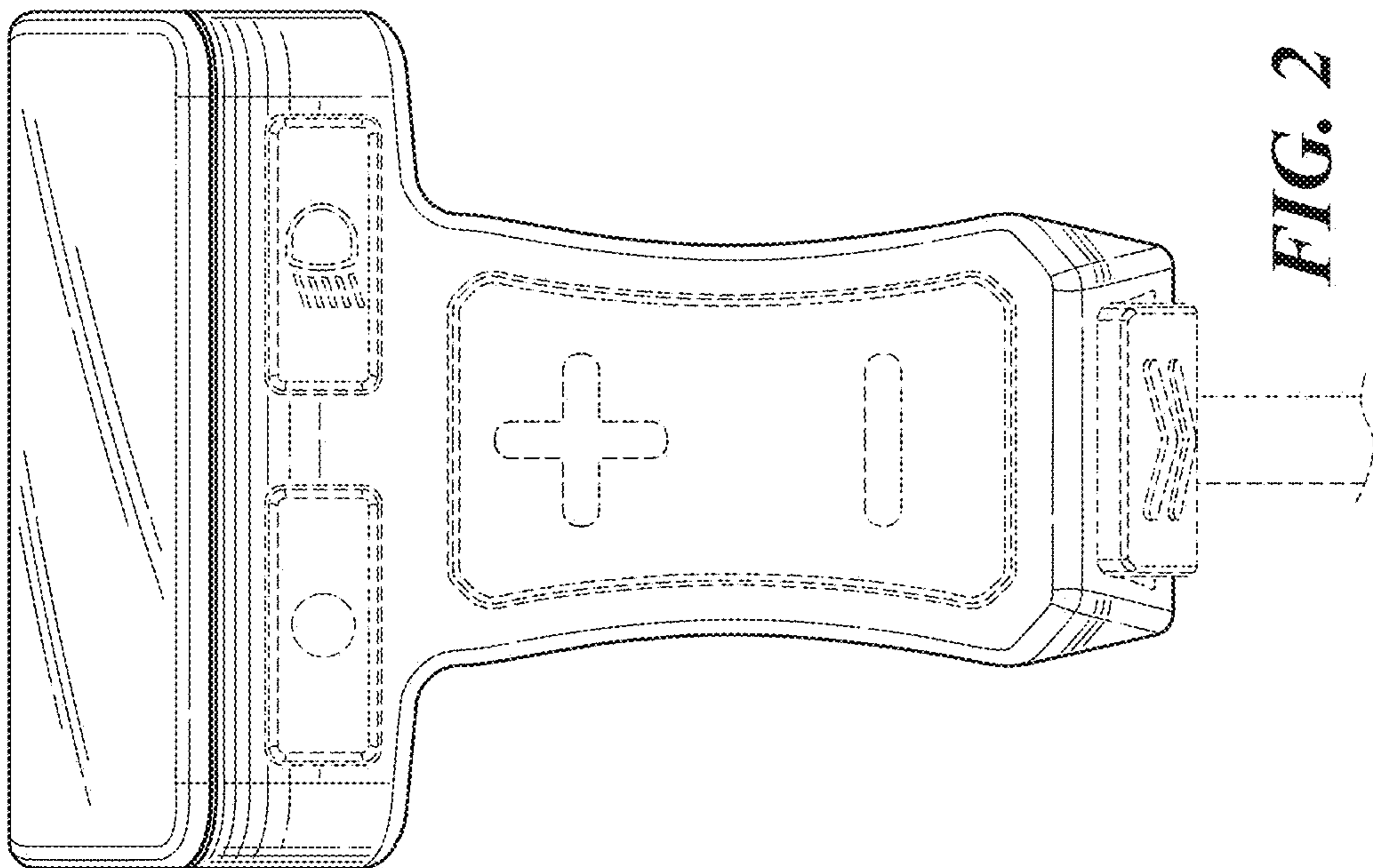


FIG. 2

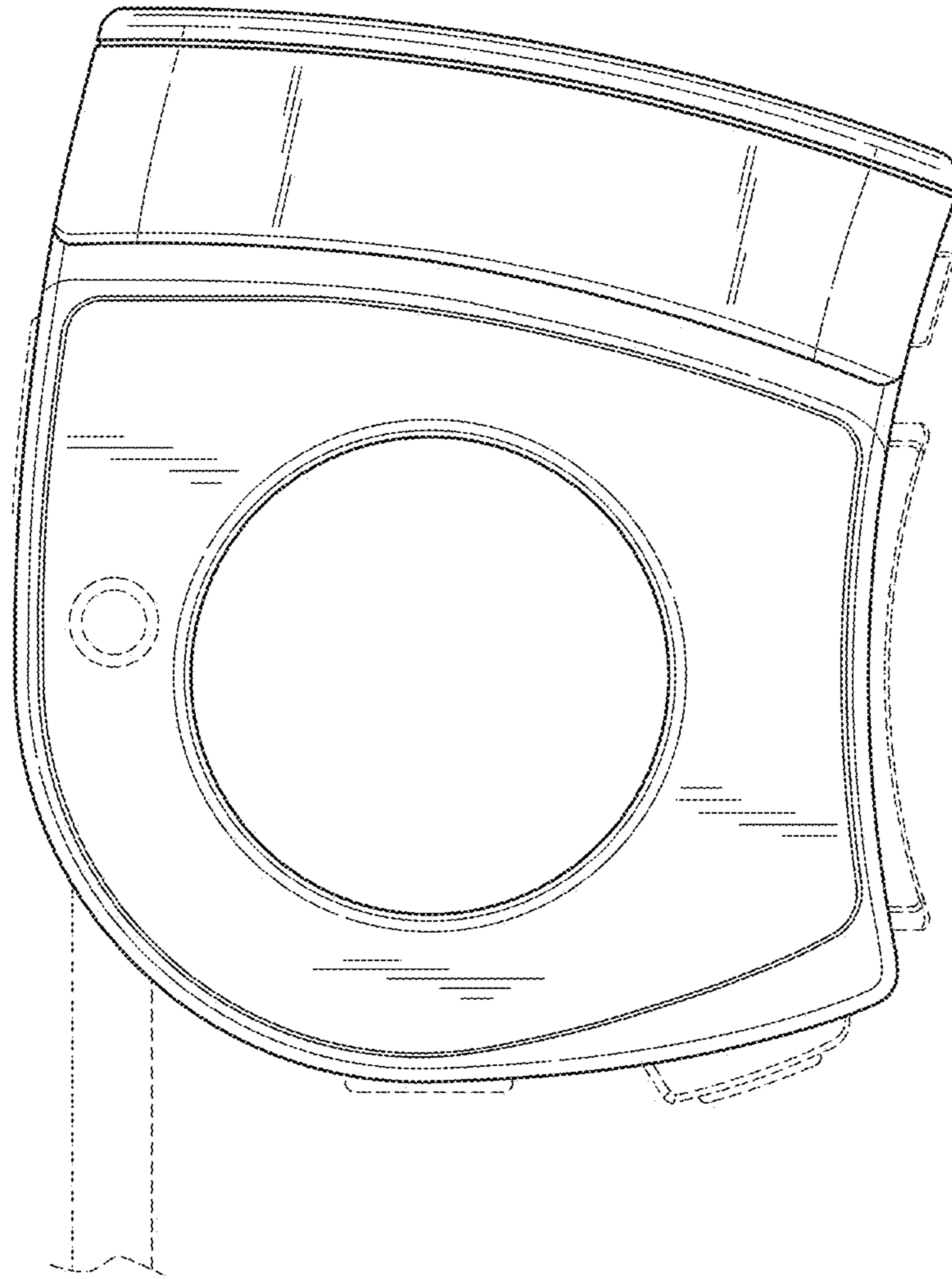


FIG. 6

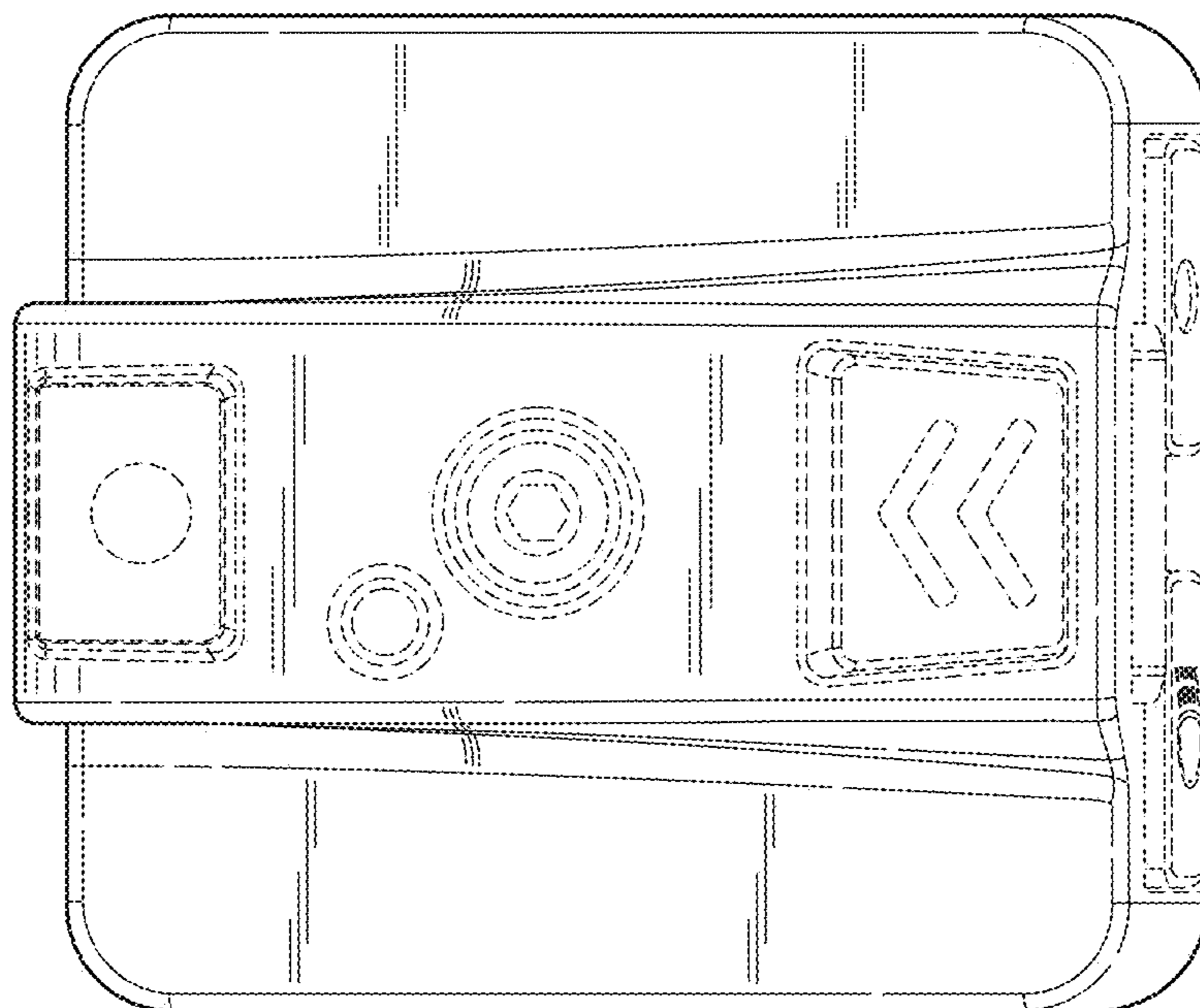


FIG. 5

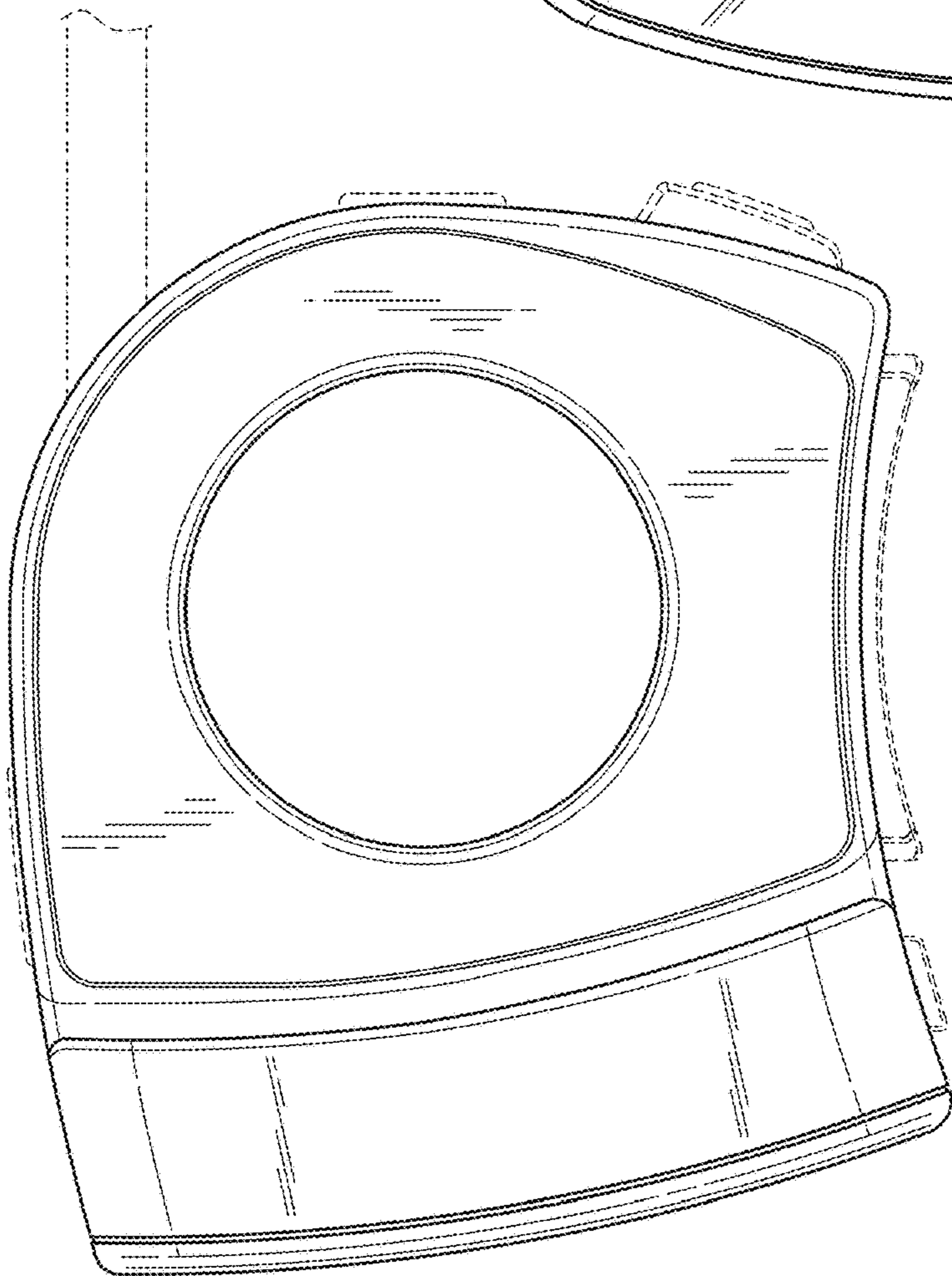


FIG. 7

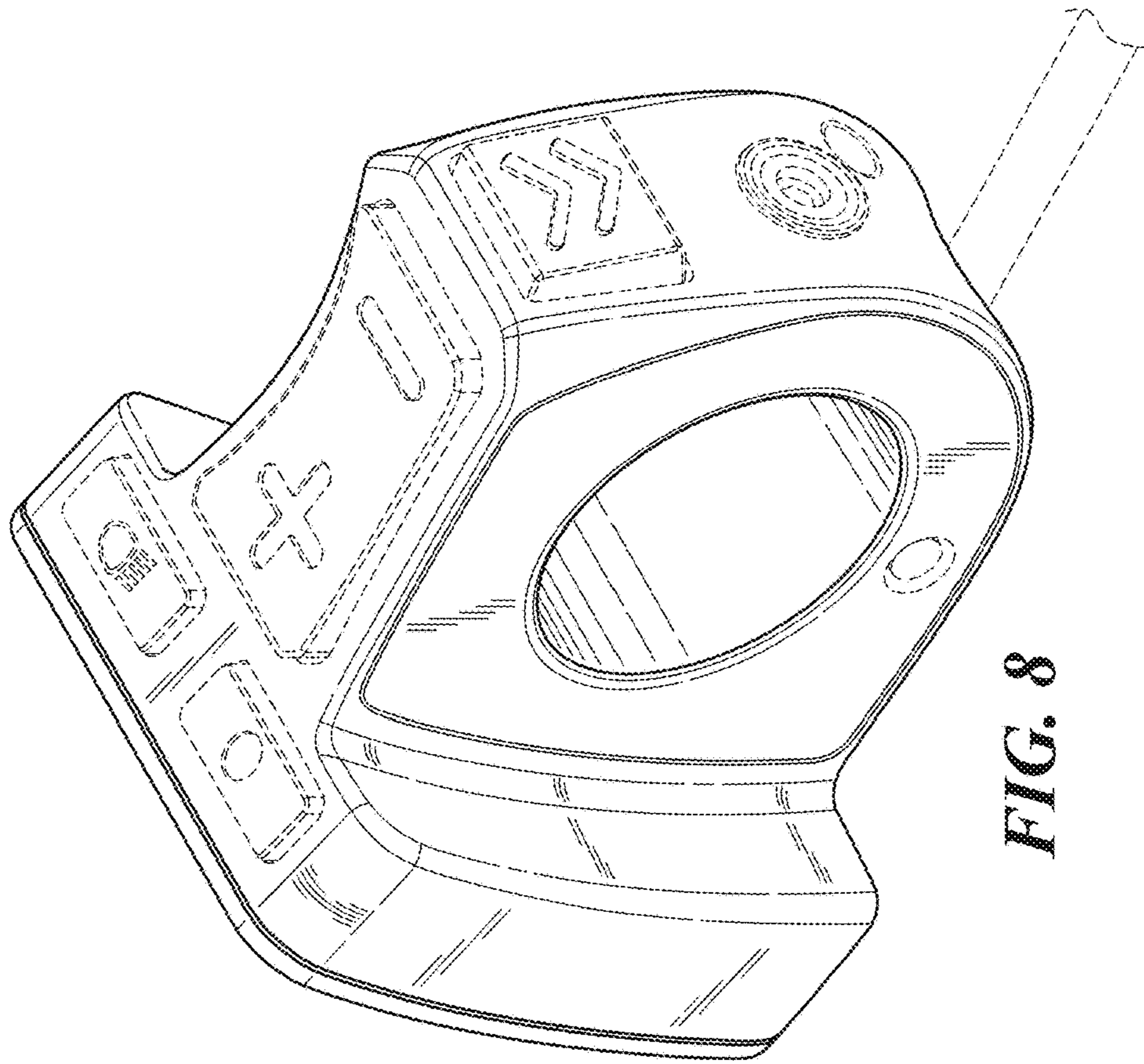


FIG. 8