



US00D935335S

(12) **United States Design Patent** (10) **Patent No.:** **US D935,335 S**  
**Knorr et al.** (45) **Date of Patent:** **\*\* Nov. 9, 2021**

(54) **HANDHELD DEVICE WITH MEASURING SENSOR**

(71) Applicant: **Proceq AG**, Schwerzenbach (CH)

(72) Inventors: **Thomas Knorr**, Zürich (CH); **Michael Geiser**, Zürich (CH); **Marcel Poser**, Oberuzwil (CH); **Simon Bürdel**, Aarau (CH); **Samuel Lehner**, Zürich (CH)

(73) Assignee: **PROCEQ AG**, Schwerzenbach (CH)

(\*\*) Term: **15 Years**

(21) Appl. No.: **35/508,399**

(22) Filed: **Dec. 11, 2019**

(80) **Hague Agreement Data**

Int. Filing Date: **Dec. 11, 2019**  
Int. Reg. No.: **DM/205263**  
Int. Reg. Date: **Dec. 11, 2019**  
Int. Reg. Pub. Date: **Jan. 24, 2020**

(30) **Foreign Application Priority Data**

Jun. 27, 2019 (CH) ..... 144768

(51) **LOC (13) Cl.** ..... **10-04**

(52) **U.S. Cl.**  
USPC ..... **D10/83**

(58) **Field of Classification Search**

USPC ..... D10/46, 47, 83, 104.1, 121, 103, 96, 97,  
D10/84, 49; D14/204  
CPC ..... G01S 13/885; G01S 13/887; G01S 13/89;  
G01S 13/88  
See application file for complete search history.

(56) **References Cited**

**U.S. PATENT DOCUMENTS**

6,377,872 B1 \* 4/2002 Struckman ..... E02F 9/205  
342/459  
D542,931 S \* 5/2007 Pukall ..... D10/81

D569,750 S \* 5/2008 Semersky ..... D10/83  
D630,956 S \* 1/2011 Wang ..... D10/83  
D653,971 S \* 2/2012 Robinson ..... D10/72  
D686,099 S \* 7/2013 Sayegh ..... D10/106.93  
D750,519 S \* 3/2016 Leigh ..... D10/83  
D772,743 S \* 11/2016 Mashak ..... D10/96

(Continued)

**FOREIGN PATENT DOCUMENTS**

CN 201130442452 \* 11/2011  
CN 201930405878.7 \* 7/2019

(Continued)

**OTHER PUBLICATIONS**

Amazon, Graigar Rust Detection Rebar, posted Dec. 15, 2018, [online], [visited Dec. 10, 2020]. Internet, <URL: <https://www.amazon.com/Graigar-ZBL-C310A-Detection-Corrosion-Detector/dp/B07L7F796XB/ref/>> (Year: 2018).\*

(Continued)

*Primary Examiner* — George D. Kirschbaum

*Assistant Examiner* — Samantha N Wood

(74) *Attorney, Agent, or Firm* — Muncy, Geissler, Olds & Lowe, P.C.

(57) **CLAIM**

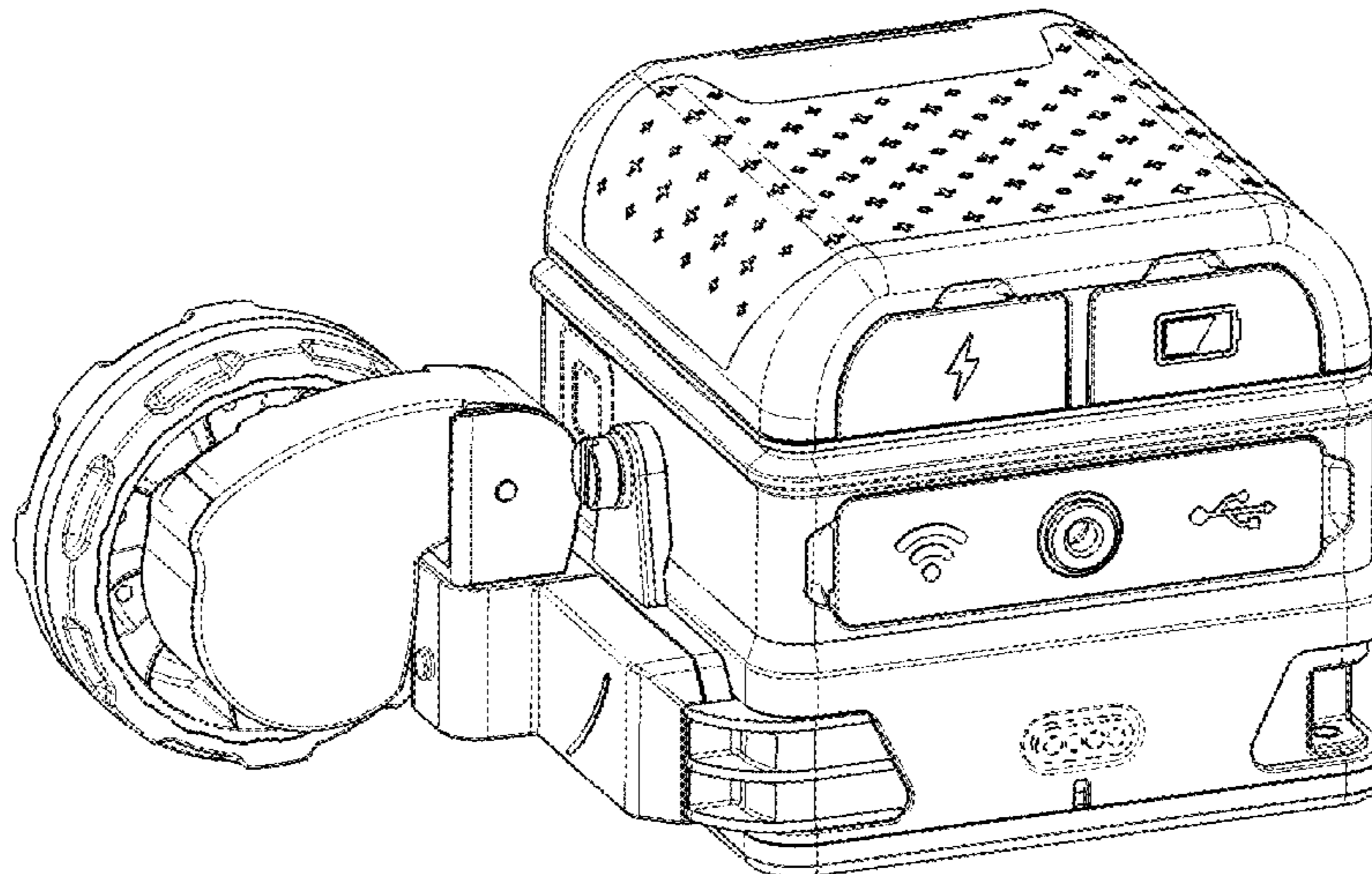
The ornamental design for a hand-held device with measuring sensor, as shown and described.

**DESCRIPTION**

- 1. Hand-held device with measuring sensor
- 1.1 : Perspective
- 1.2 : Front
- 1.3 : Back
- 1.4 : Left
- 1.5 : Right
- 1.6 : Top
- 1.7 : Bottom

The portion of the article shown in broken lines forms no part of the claimed design.

**1 Claim, 7 Drawing Sheets**



(56)

**References Cited**

U.S. PATENT DOCUMENTS

9,733,353 B1 \* 8/2017 Carlson ..... G01S 13/885  
D800,590 S \* 10/2017 Kuppi ..... D10/96  
D876,402 S \* 2/2020 Liu ..... D14/230

FOREIGN PATENT DOCUMENTS

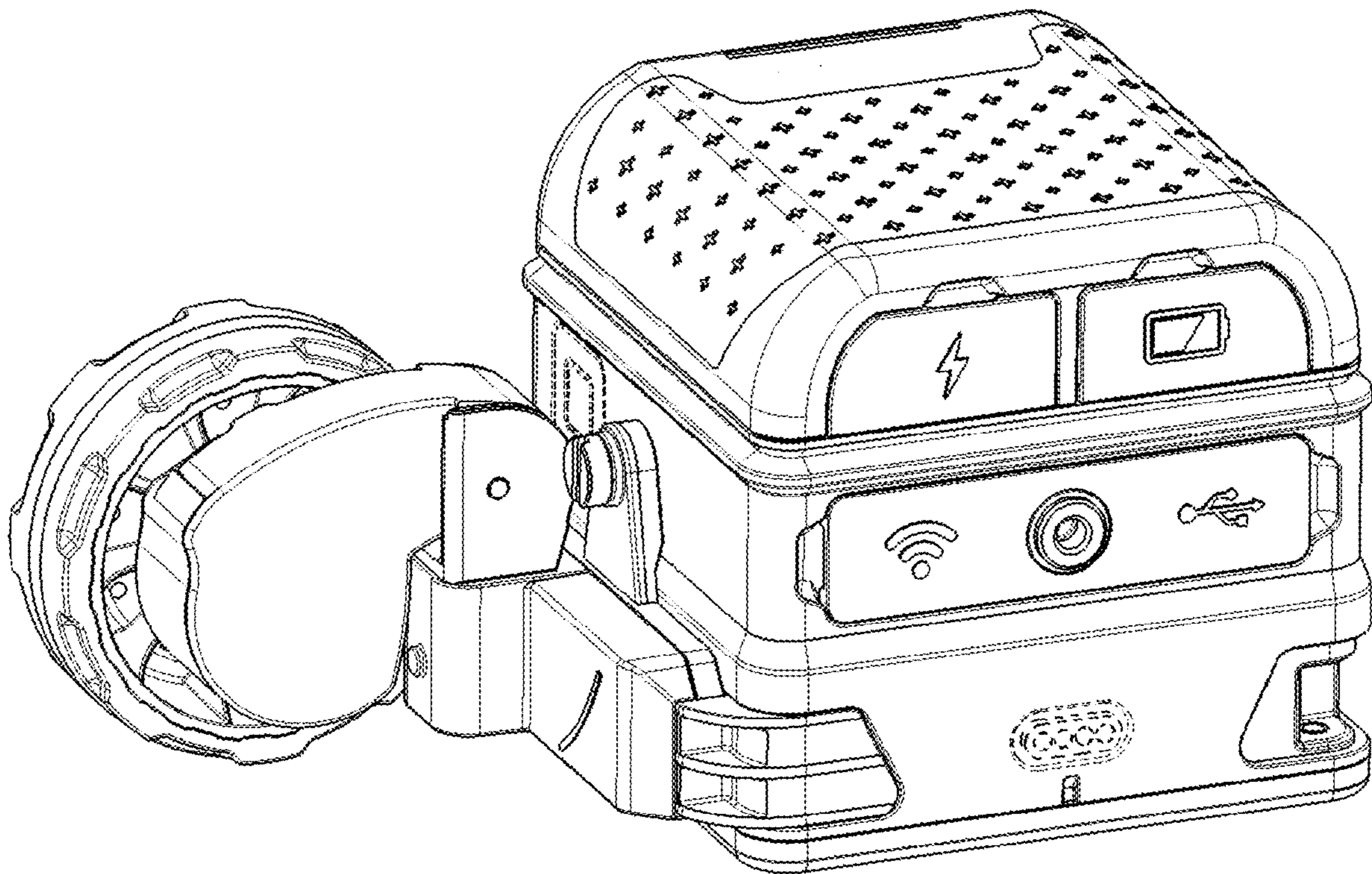
KR 3020170036369 \* 8/2017  
WO WO-2016037783 A1 \* 3/2016 ..... G01S 15/86

OTHER PUBLICATIONS

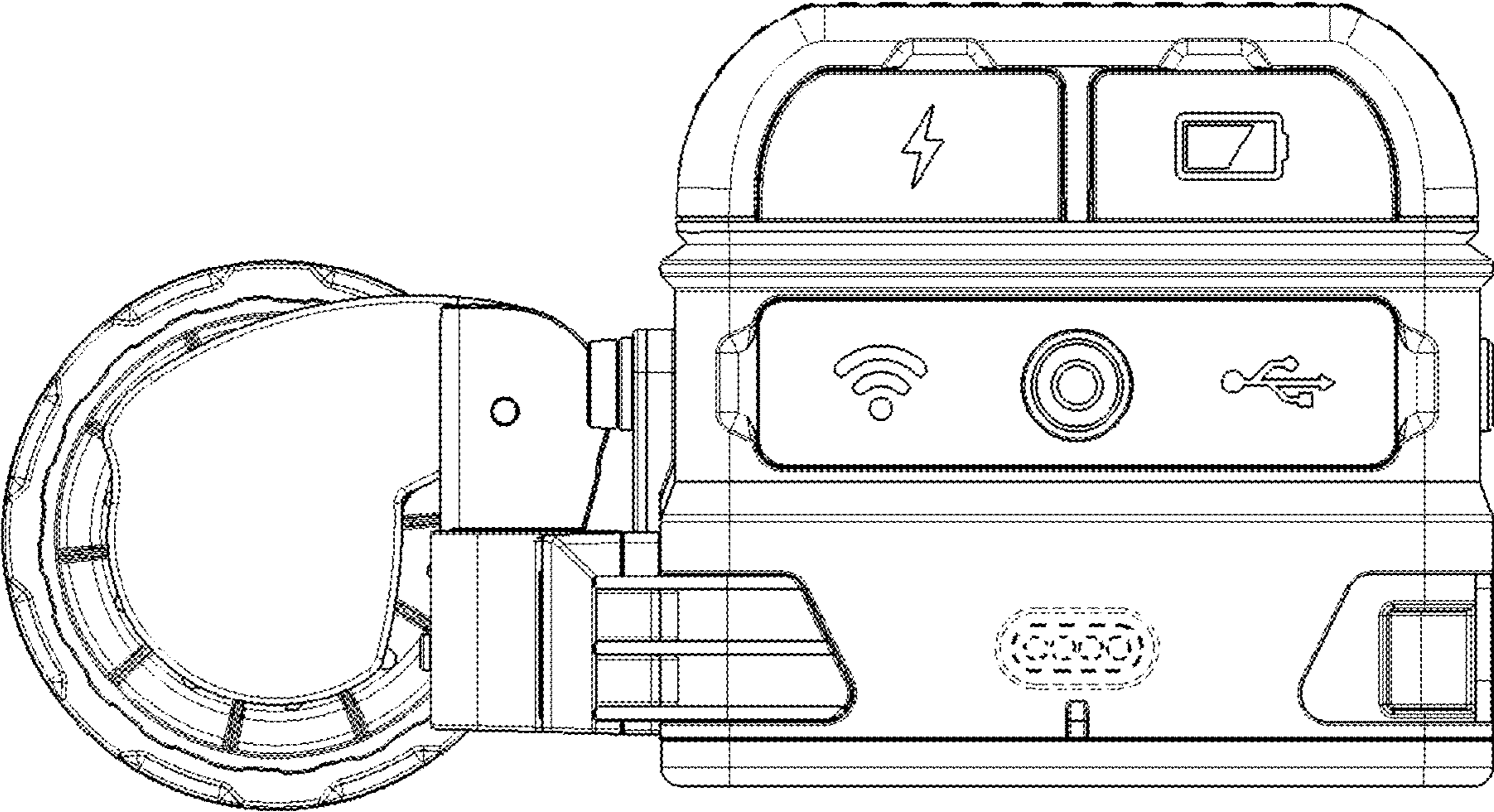
Youtube, Conquest 100 GPR | Traxx—Sensors and Software,  
posted Oct. 3, 2017, [online], [visited Dec. 10, 2020]. Internet,  
<URL: <https://www.youtube.com/watch?v=YnO9onPmKNA>> (Year:  
2017).\*

\* cited by examiner

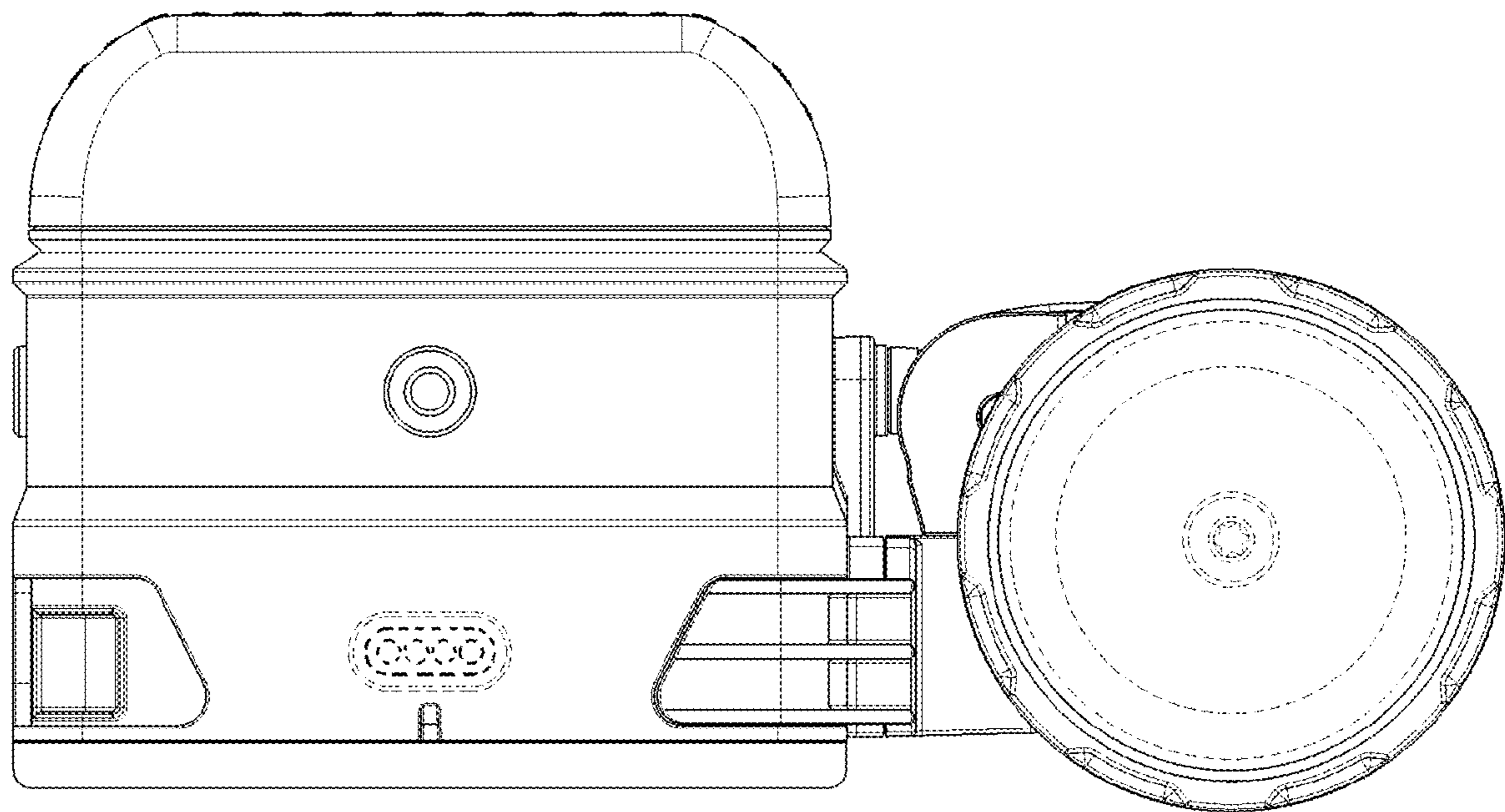
# 1.1



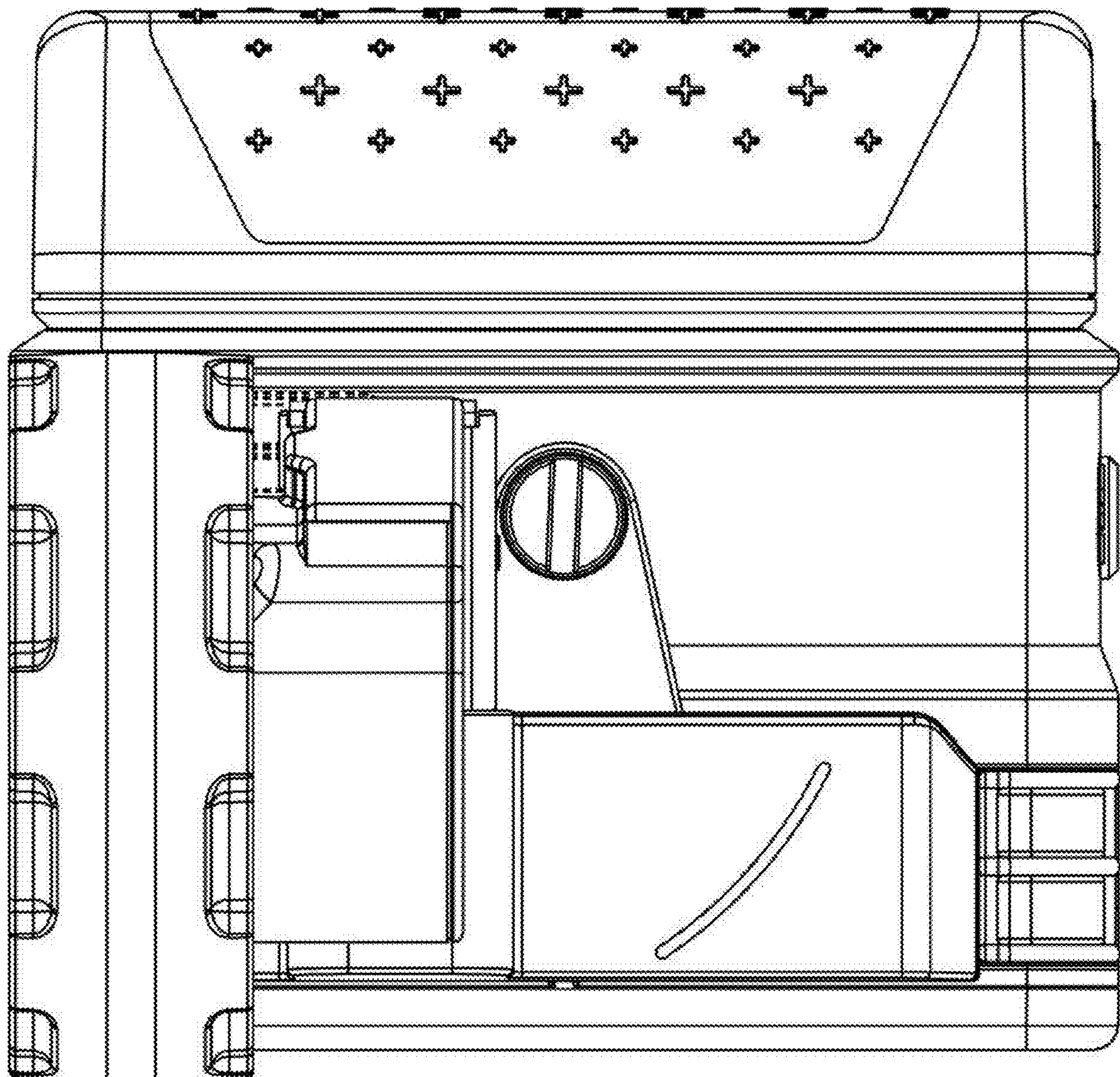
1.2



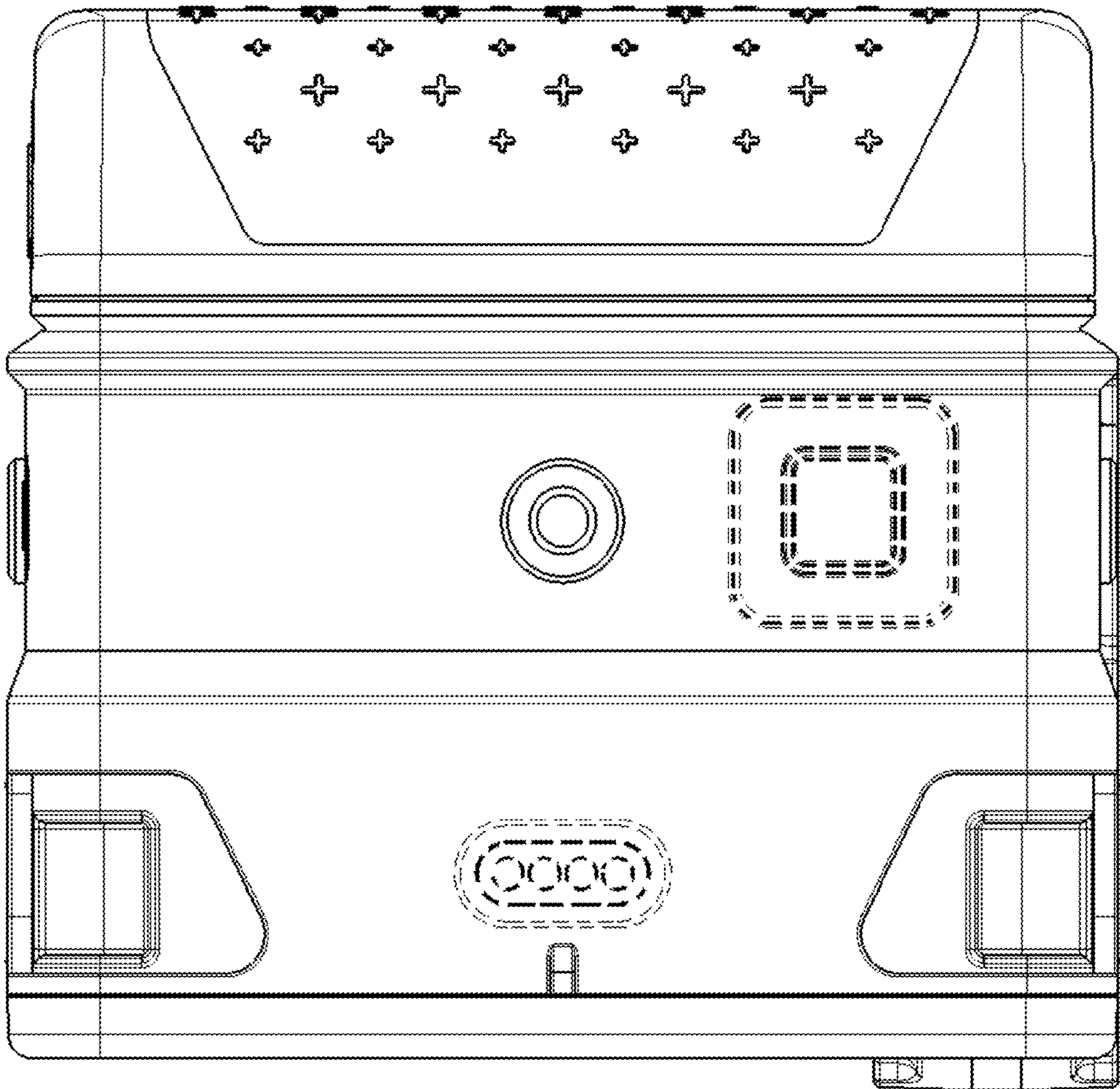
1.3



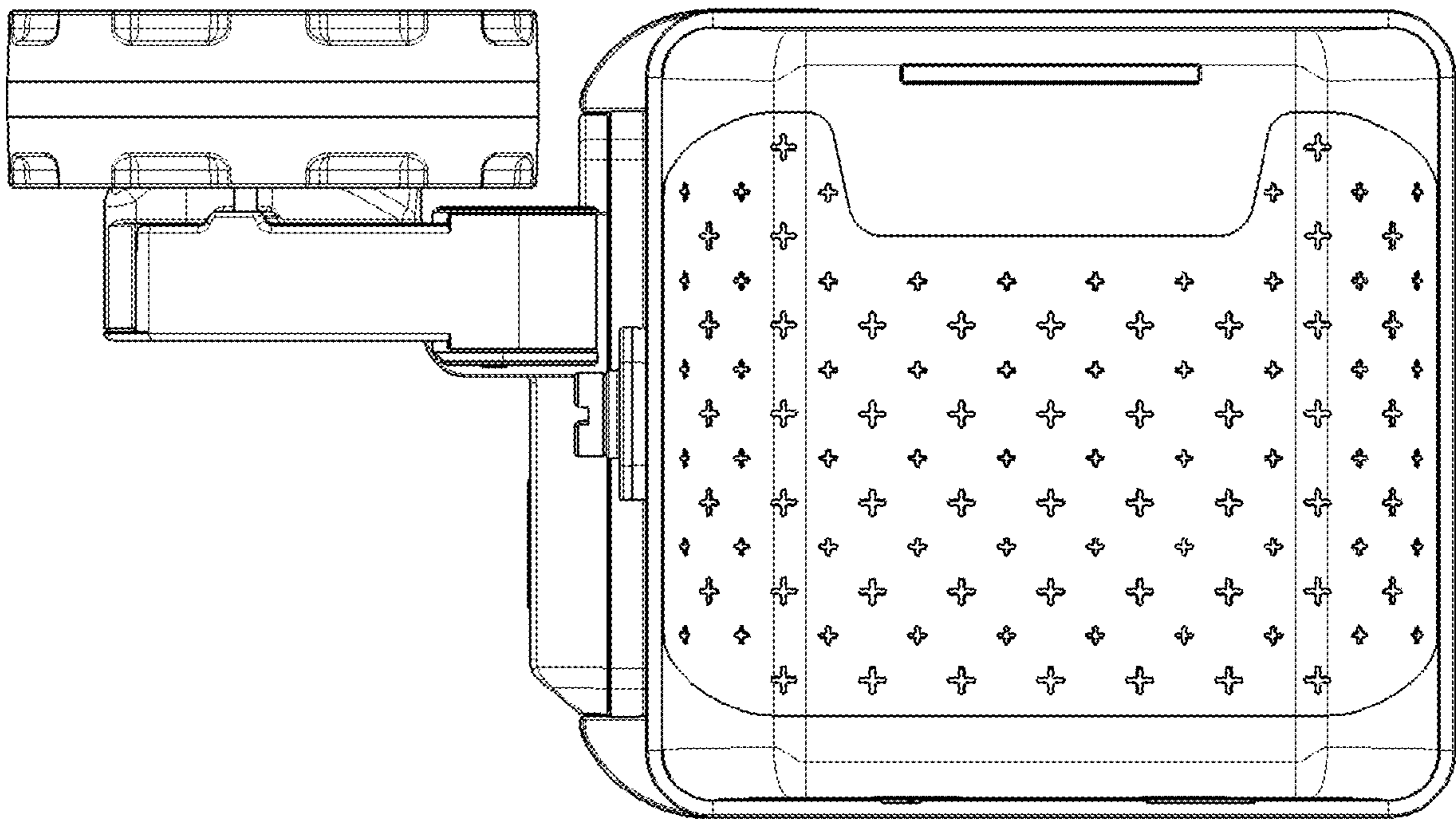
1.4



1.5



# 1.6





1.7

