



US00D935334S

(12) **United States Design Patent** (10) **Patent No.:** **US D935,334 S**
Gaudillere et al. (45) **Date of Patent:** **** Nov. 9, 2021**

(54) **RADAR**

(71) Applicant: **THALES DMS FRANCE SAS**,
Elancourt (FR)

(72) Inventors: **Philippe Gaudillere**, Cerons (FR);
Pierre Bordes, Bruges (FR); **Richard**
Montigny, Pessac (FR)

(**) Term: **15 Years**

(21) Appl. No.: **35/509,116**

(22) Filed: **Feb. 27, 2020**

(80) **Hague Agreement Data**

Int. Filing Date: **Feb. 27, 2020**
 Int. Reg. No.: **DM/207018**
 Int. Reg. Date: **Feb. 27, 2020**
 Int. Reg. Pub. Date: **Apr. 17, 2020**

(30) **Foreign Application Priority Data**

Oct. 1, 2019 (EM) 006954376

(51) **LOC (13) Cl.** **10-04**

(52) **U.S. Cl.**
USPC **D10/65**

(58) **Field of Classification Search**
 USPC D10/65, 67, 80; D14/230, 242
 See application file for complete search history.

(56) **References Cited**

U.S. PATENT DOCUMENTS

D723,402 S *	3/2015	Kobayashi	D10/80
D724,978 S *	3/2015	Abe	D10/80
D727,761 S *	4/2015	Abe	D10/80
D779,980 S *	2/2017	Neto	D10/67
D861,512 S *	10/2019	Cai	D10/65
D876,402 S *	2/2020	Liu	D14/230
D881,854 S *	4/2020	Campbell	D14/230
D899,487 S *	10/2020	Kelley	D16/242
D901,462 S *	11/2020	Oba	D14/230
D914,522 S *	3/2021	Schichl	D10/65

* cited by examiner

Primary Examiner — George D. Kirschbaum

(57) **CLAIM**

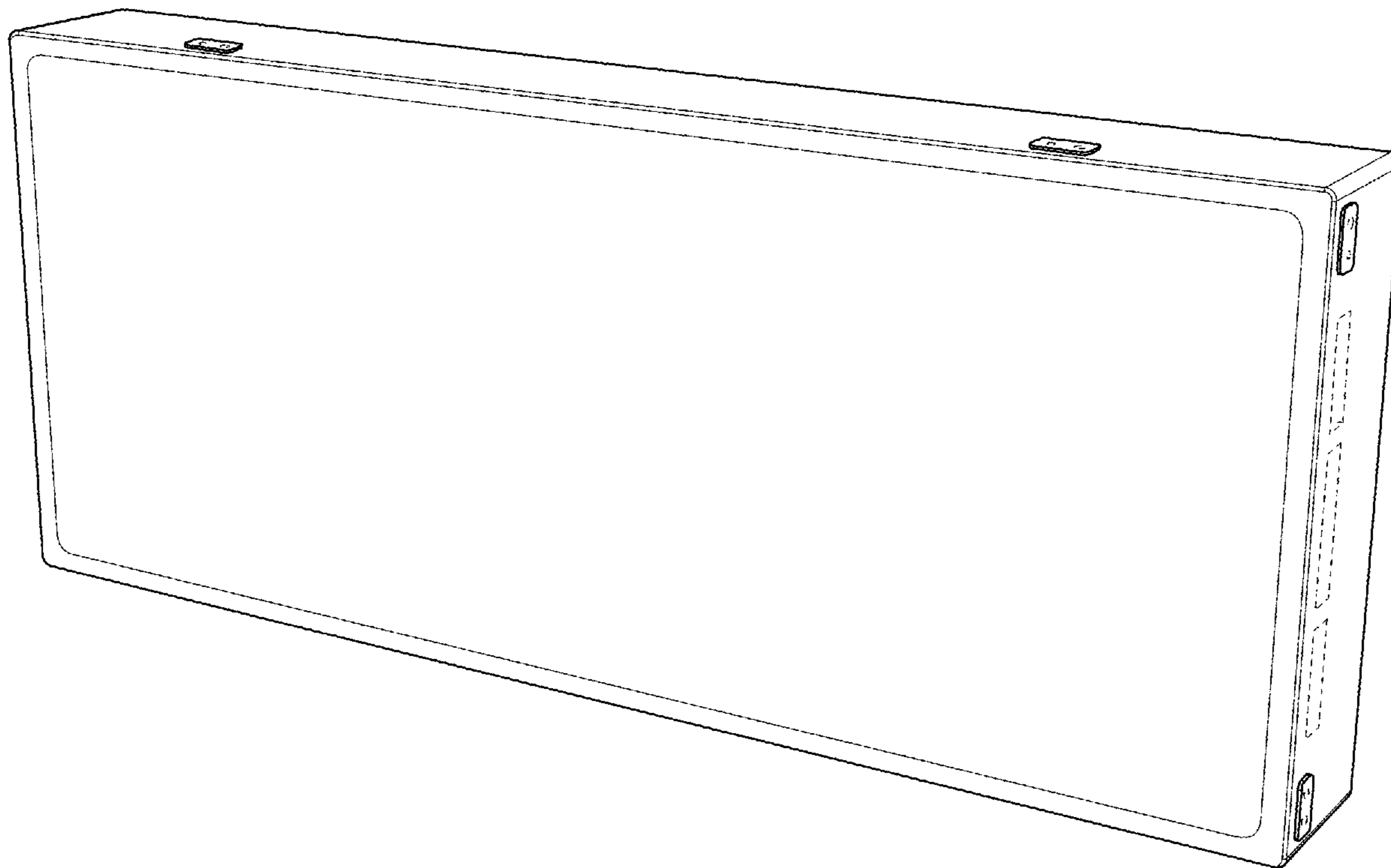
The ornamental design for a radar, as shown and described.

DESCRIPTION

- 1. Radar
- 1.1 : Perspective
- 1.2 : Front
- 1.3 : Back
- 1.4 : Top
- 1.5 : Bottom
- 1.6 : Left
- 1.7 : Right

The broken line showing is included for the purposes of illustrating portions of the “article” and forms no part of the claimed design.

1 Claim, 7 Drawing Sheets



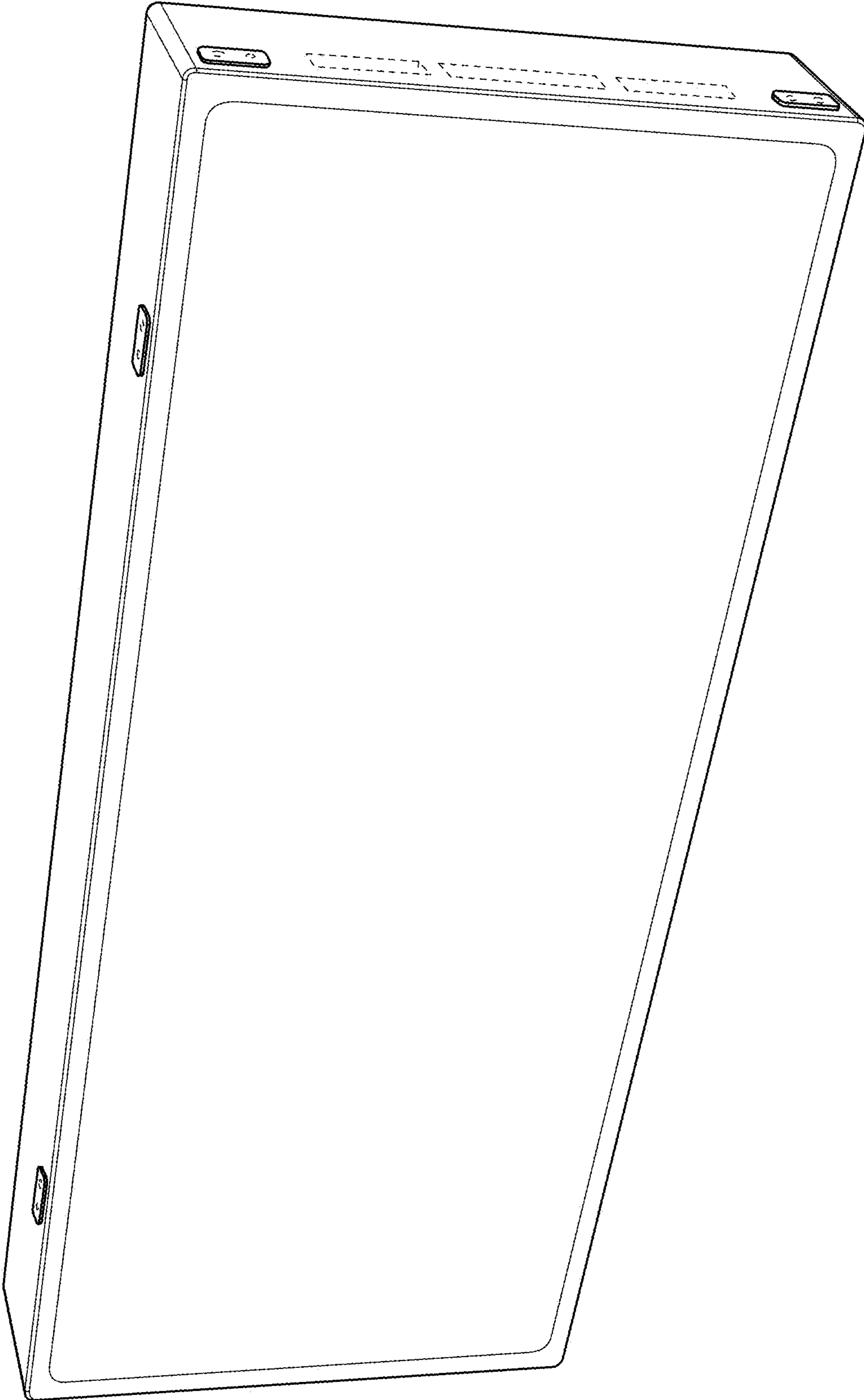


FIG. 1.1

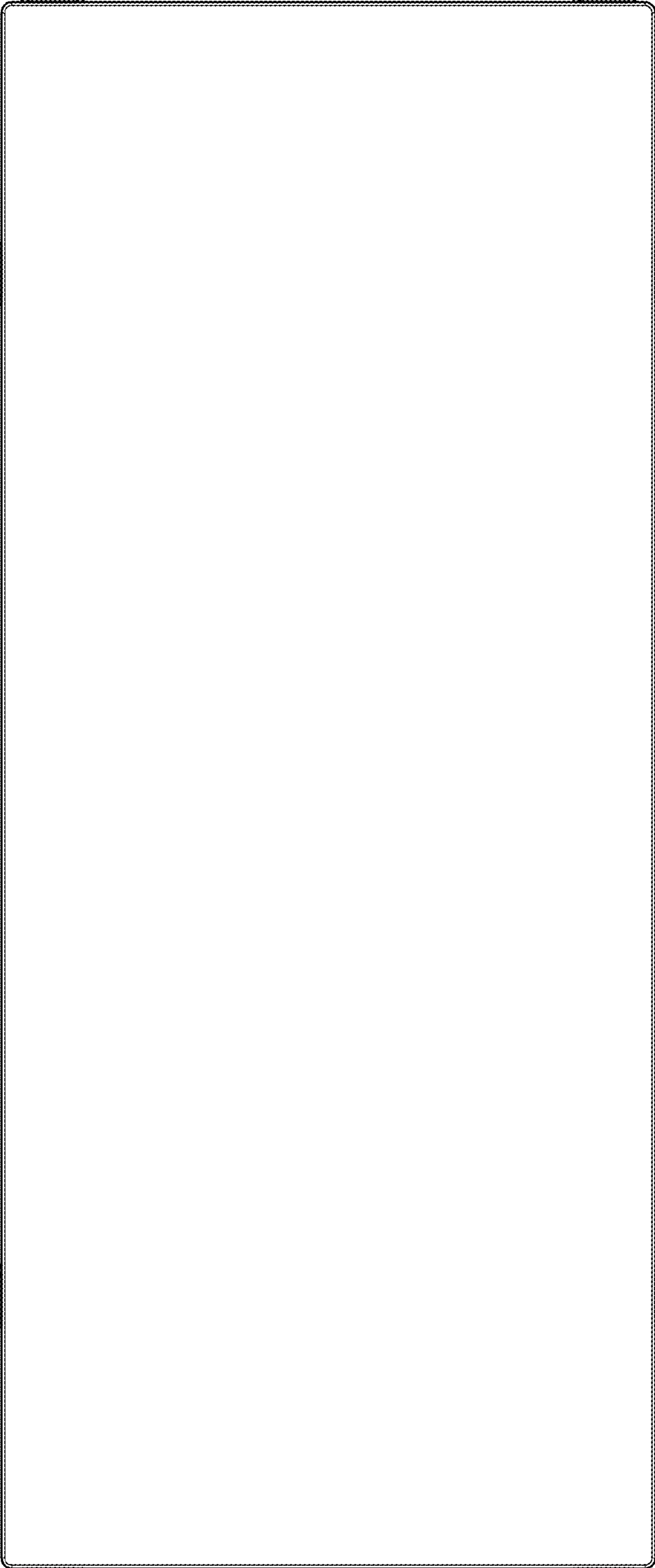


FIG. 1.2

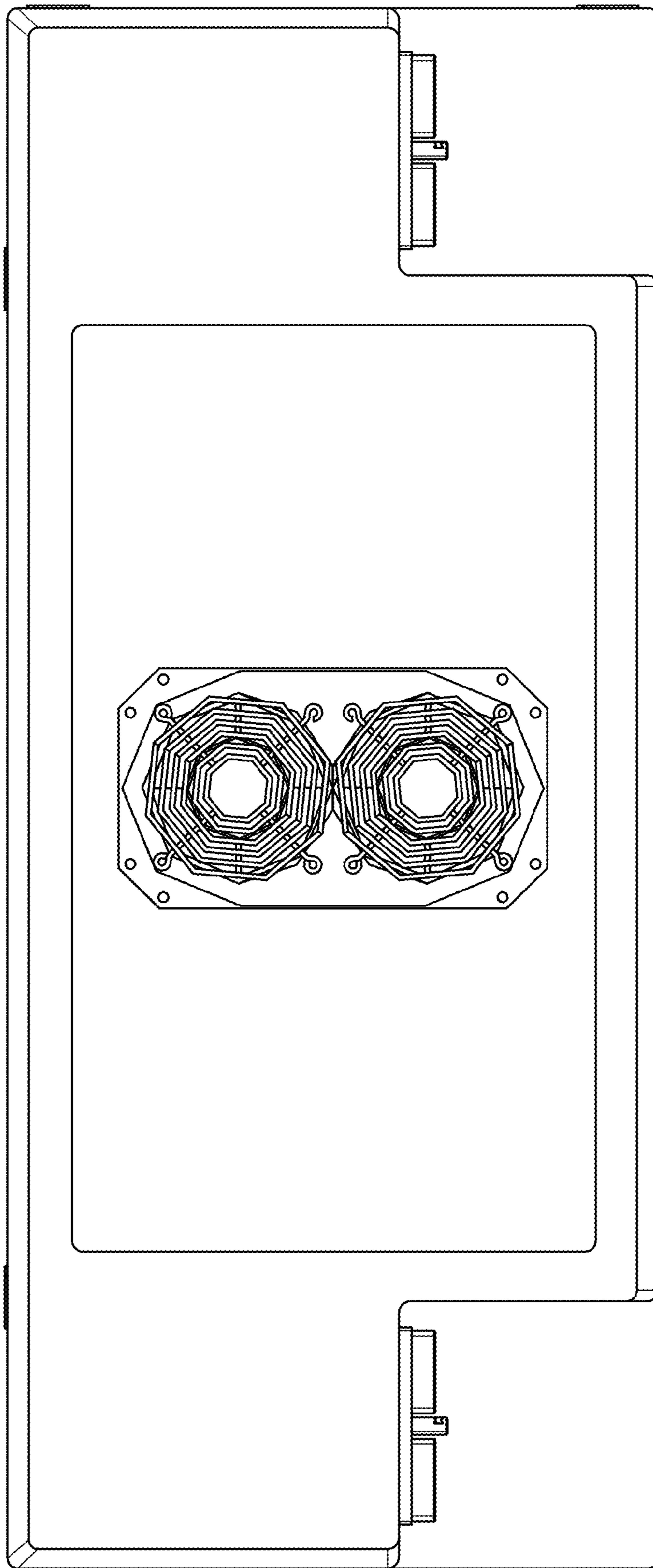


FIG. 1.3

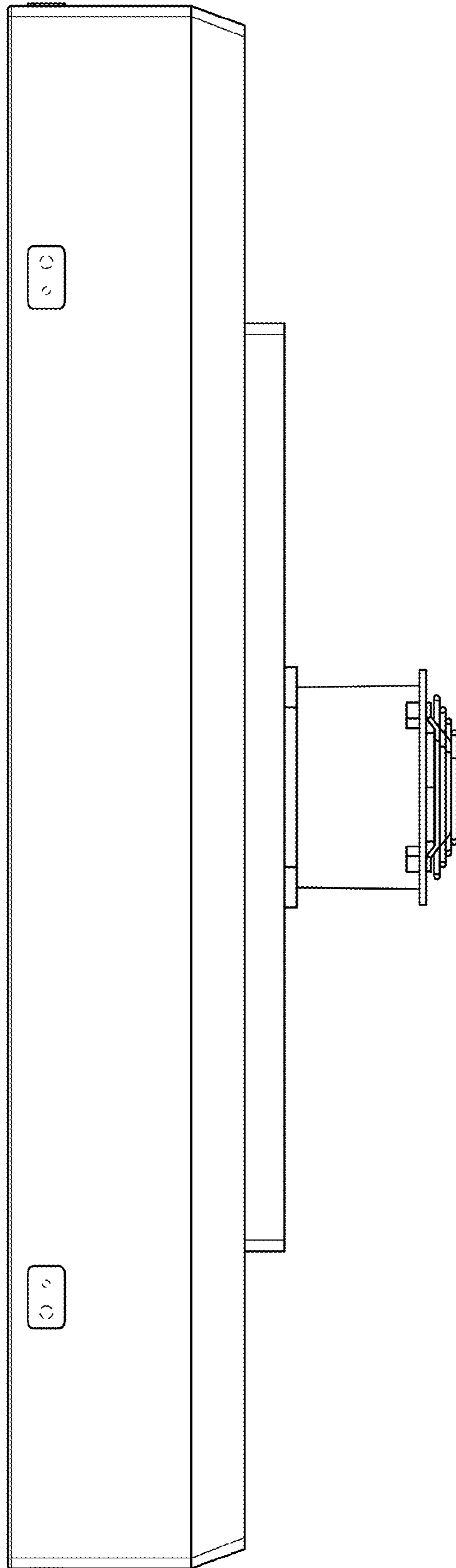


FIG. 1.4

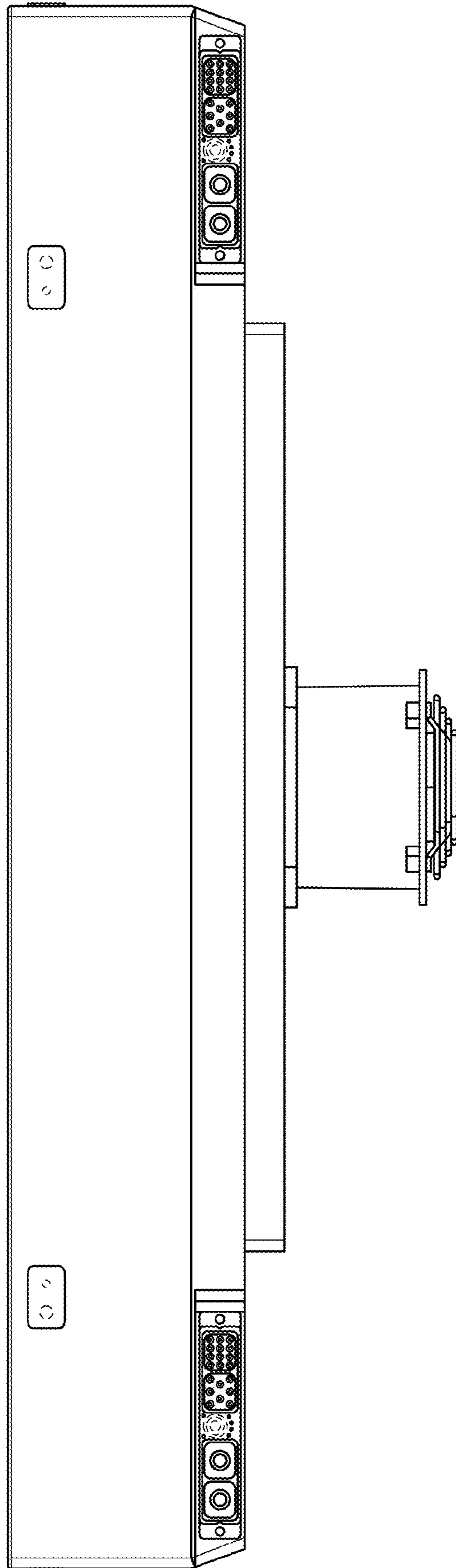


FIG. 1.5

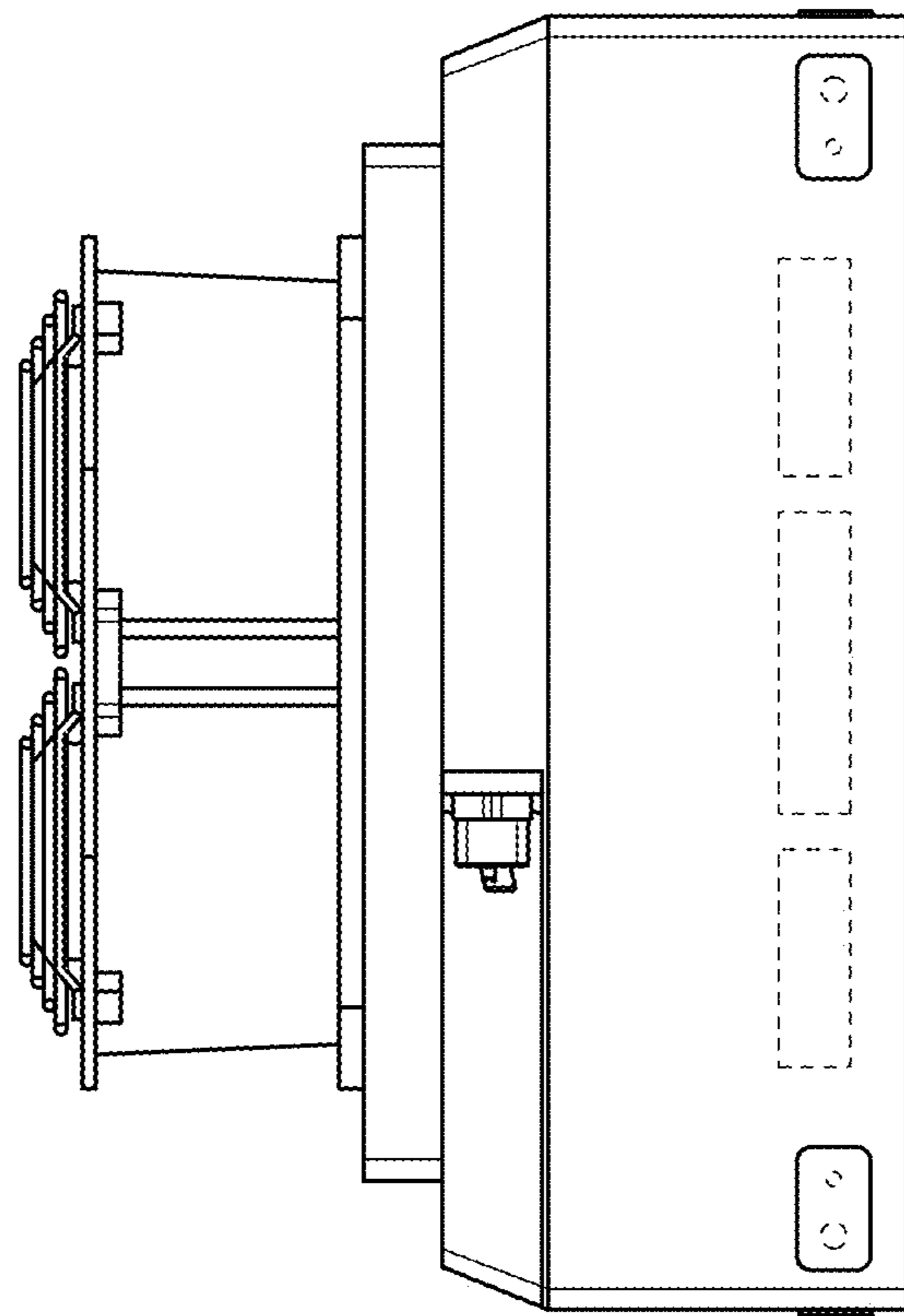


FIG. 1.6

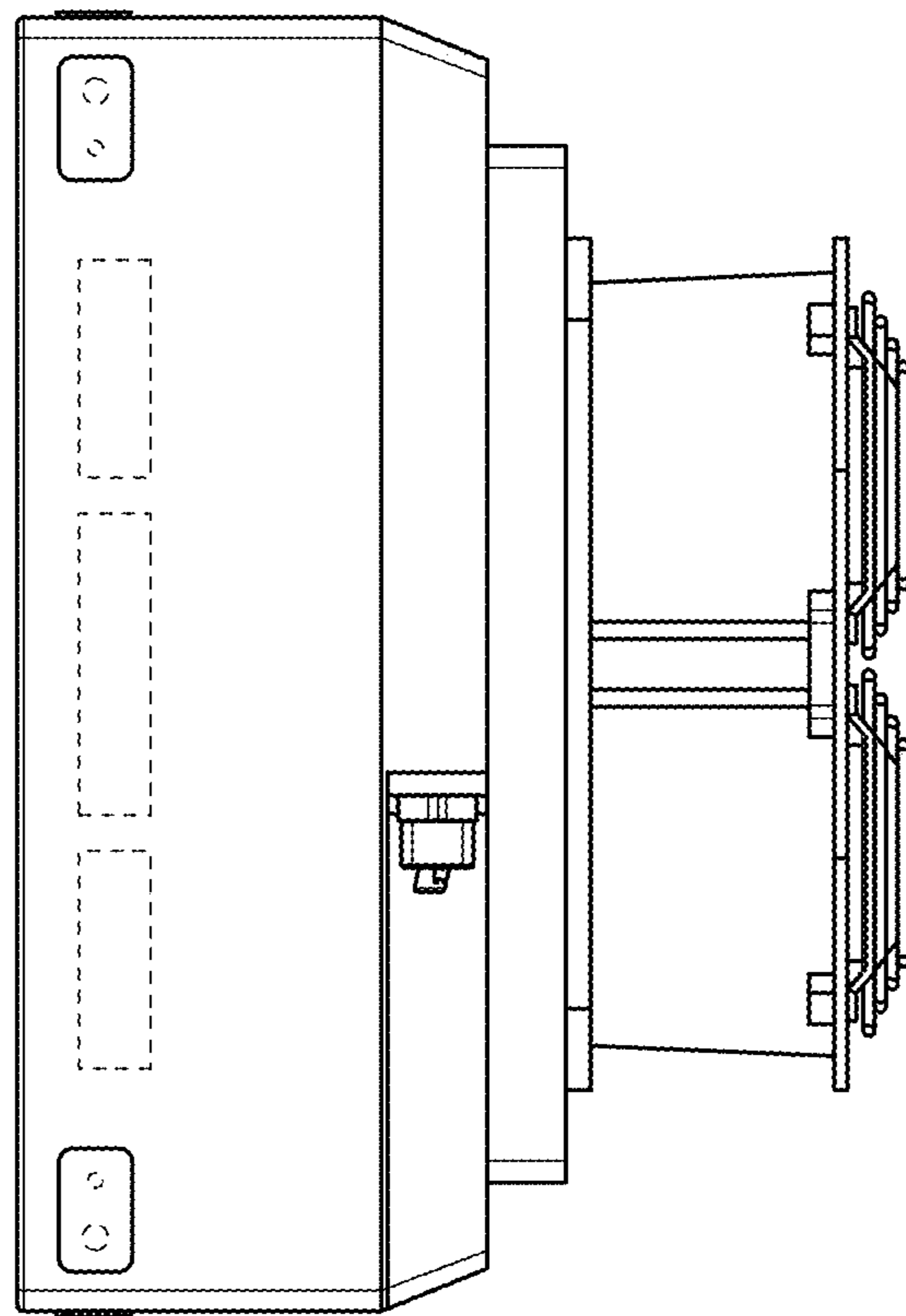


FIG. 1.7