



US00D935332S

(12) **United States Design Patent**
Chen

(10) **Patent No.:** **US D935,332 S**

(45) **Date of Patent:** **** Nov. 9, 2021**

- (54) **FLOW CONTROL PANEL TIMER**
- (71) Applicant: **SHIN TAI SPURT WATER OF THE GARDEN TOOLS CO., LTD.,**
Chang-Hua Hsien (TW)
- (72) Inventor: **Chin-Yuan Chen,** Chang-Hua Hsien (TW)
- (73) Assignee: **SHIN TAI SPURT WATER OF THE GARDEN TOOLS CO., LTD.,**
Chang-Hua Hsien (TW)

D605,961 S	*	12/2009	Tsou	D10/100
D642,077 S	*	7/2011	Nies	D10/40
D655,209 S	*	3/2012	Wen	D10/40
D657,263 S	*	4/2012	Nies	D10/40
D657,264 S	*	4/2012	Nies	D10/40
D682,715 S	*	5/2013	Wang	D10/40
D745,419 S	*	12/2015	Michael	D10/40
D810,700 S	*	2/2018	Jenkins	D13/162
D837,664 S	*	1/2019	Cheng	D10/40
D857,529 S	*	8/2019	Rodriguez	D10/49

- (**) Term: **15 Years**
- (21) Appl. No.: **29/697,647**
- (22) Filed: **Jul. 10, 2019**
- (51) **LOC (13) Cl.** **10-03**
- (52) **U.S. Cl.**
USPC **D10/40**

FOREIGN PATENT DOCUMENTS

CN	201830326334	*	6/2018
EM	001786302-0001	*	11/2010

* cited by examiner

Primary Examiner — Sheryl Lane
Assistant Examiner — Samantha N Wood

- (58) **Field of Classification Search**
USPC D10/40, 41, 49, 50, 52, 96, 97, 103, 57;
D13/162, 162.1, 199; D23/233, 235, 241,
D23/246, 249
CPC ... G04F 1/00; G04F 1/005; G04F 1/04; G04F
1/06; G04F 1/066; G04F 3/00; G04F
3/02; G04F 3/022; G04F 3/027; G04F
3/04; G04F 3/06; G04C 23/00; G04C
23/02; G04C 23/04; G04C 23/06; G04C
23/08; B05B 1/3013; B05B 1/30; B05B
1/3006; B05B 1/3033
See application file for complete search history.

(57) **CLAIM**

The ornamental design for a flow control panel timer, as shown and described.

DESCRIPTION

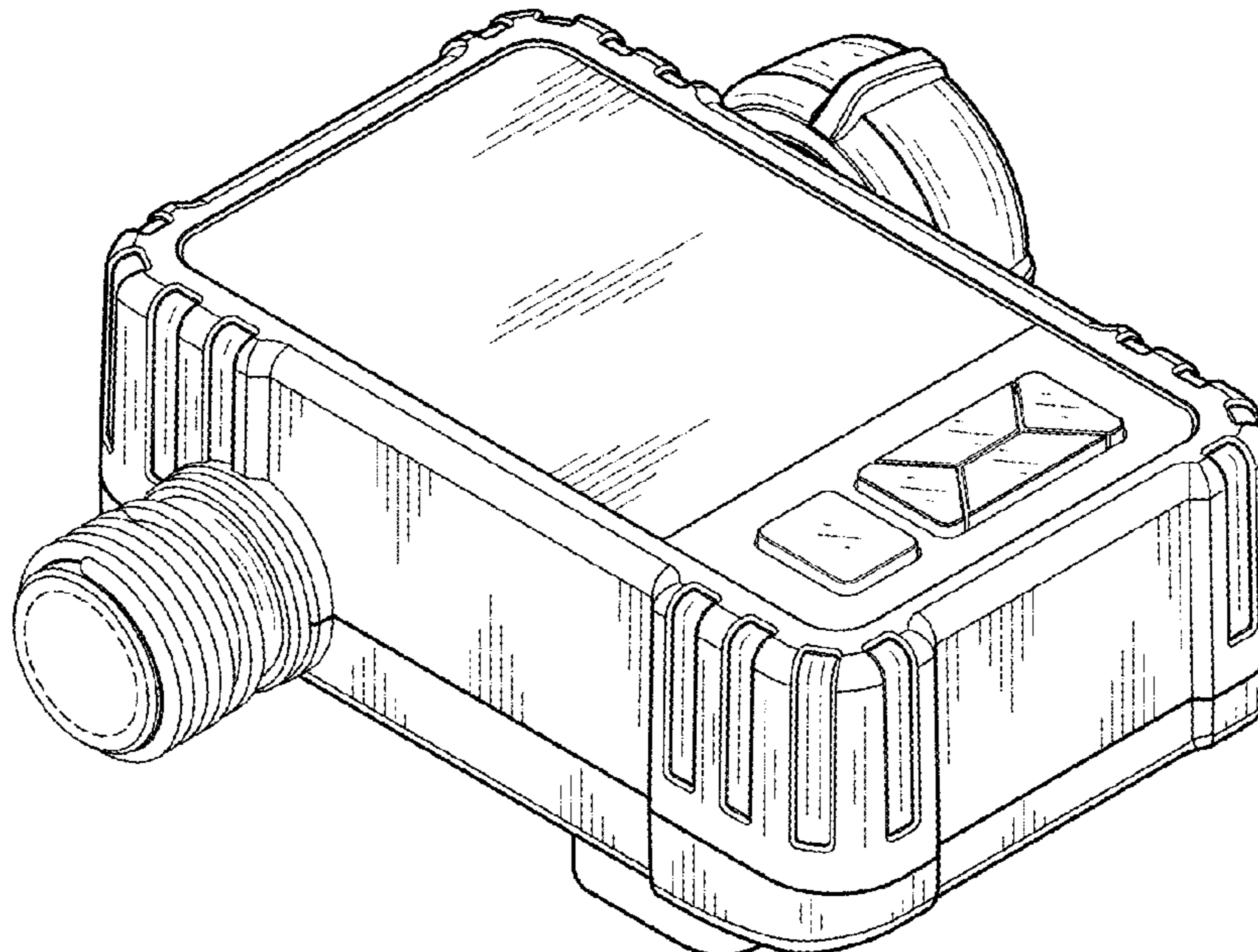
FIG. 1 is a perspective view of a flow control panel timer showing my new design;
 FIG. 2 is a front elevational view thereof;
 FIG. 3 is a rear elevational view thereof;
 FIG. 4 is a left side elevational view thereof;
 FIG. 5 is a right side elevational view thereof;
 FIG. 6 is a top plan view thereof;
 FIG. 7 is a bottom plan view thereof; and,
 FIG. 8 is a bottom perspective view of a flow control panel timer showing my new design.
 The broken lines are included for the purpose of illustrating portions of the flow control panel timer and form no part of the claimed design.

(56) **References Cited**

U.S. PATENT DOCUMENTS

D559,708 S	*	1/2008	Michael	D10/40
D567,681 S	*	4/2008	Michael	D10/40

1 Claim, 6 Drawing Sheets



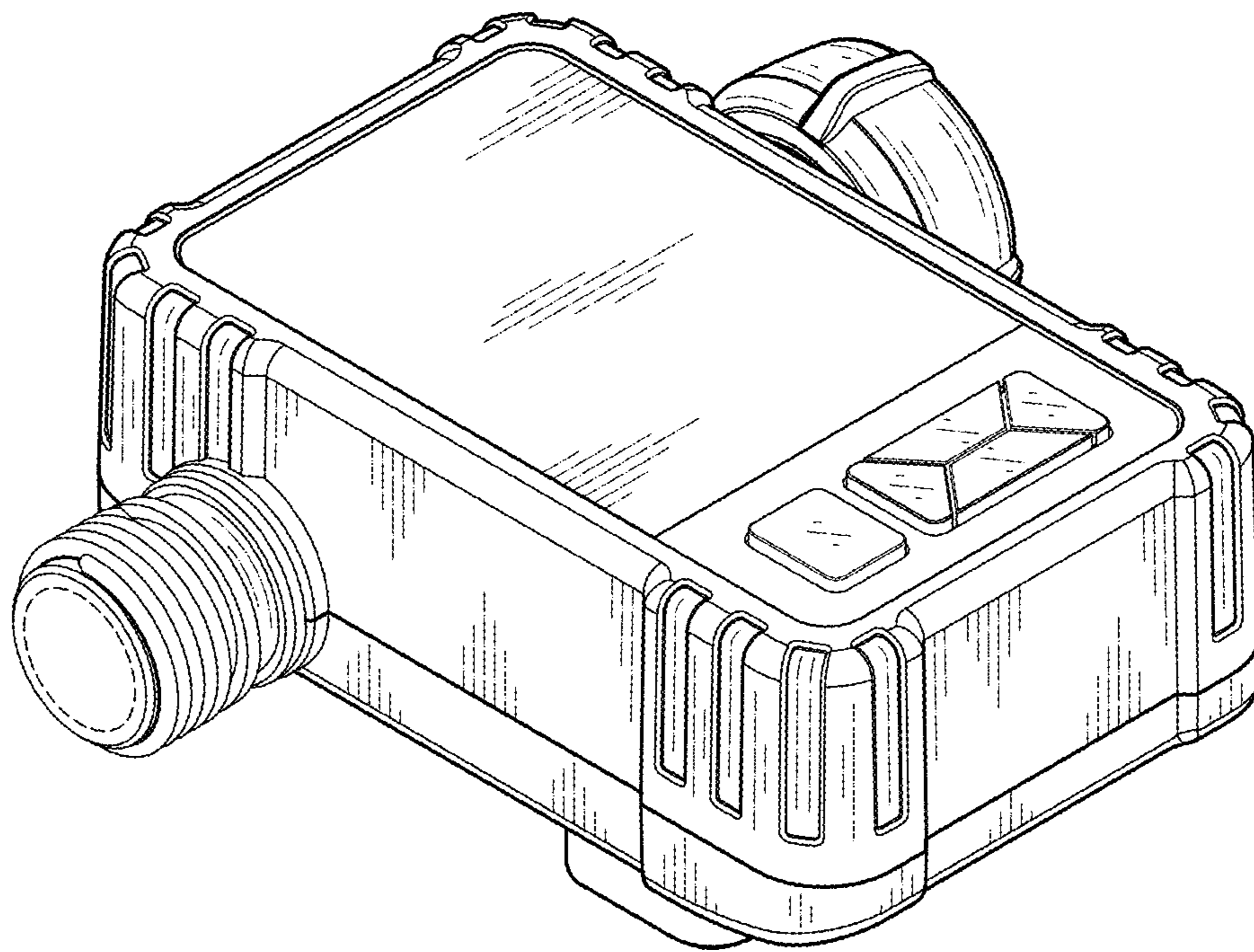


FIG.1

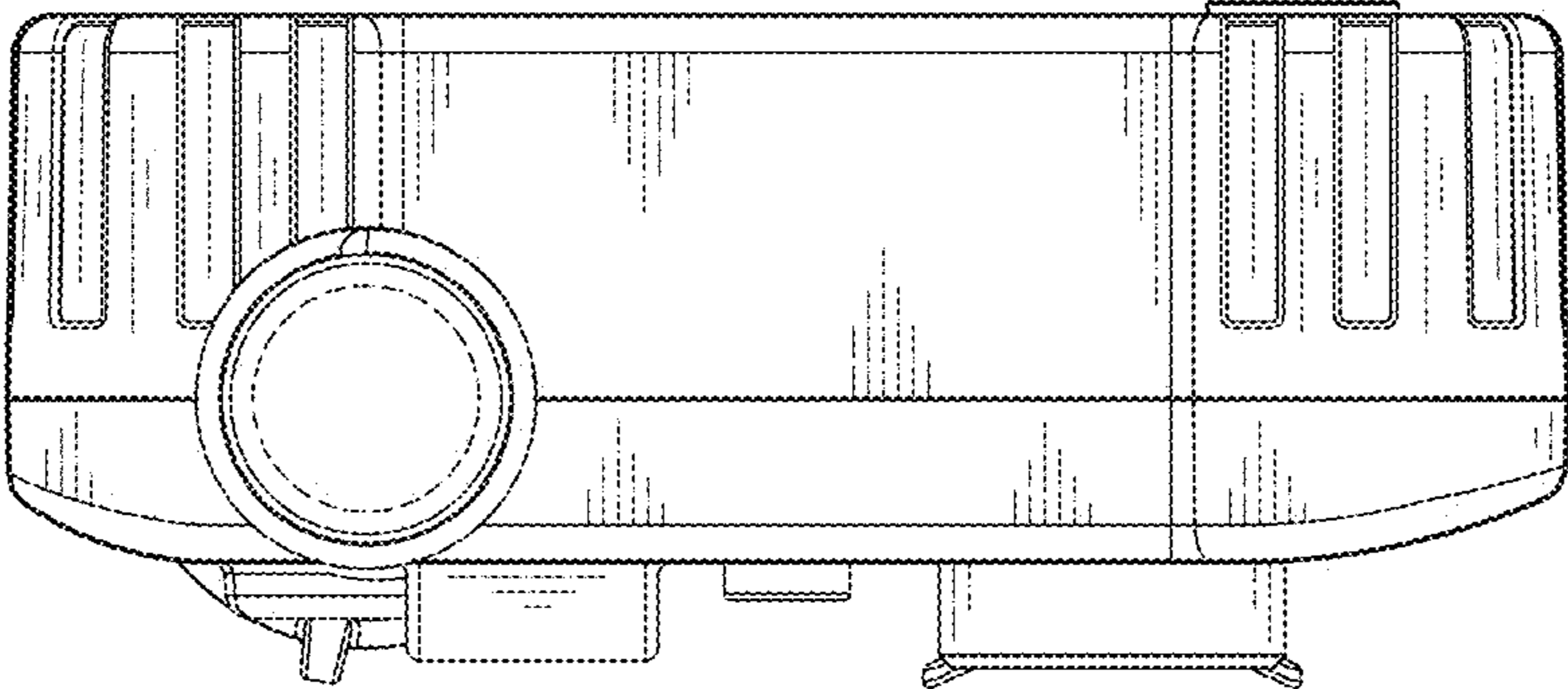


FIG.2

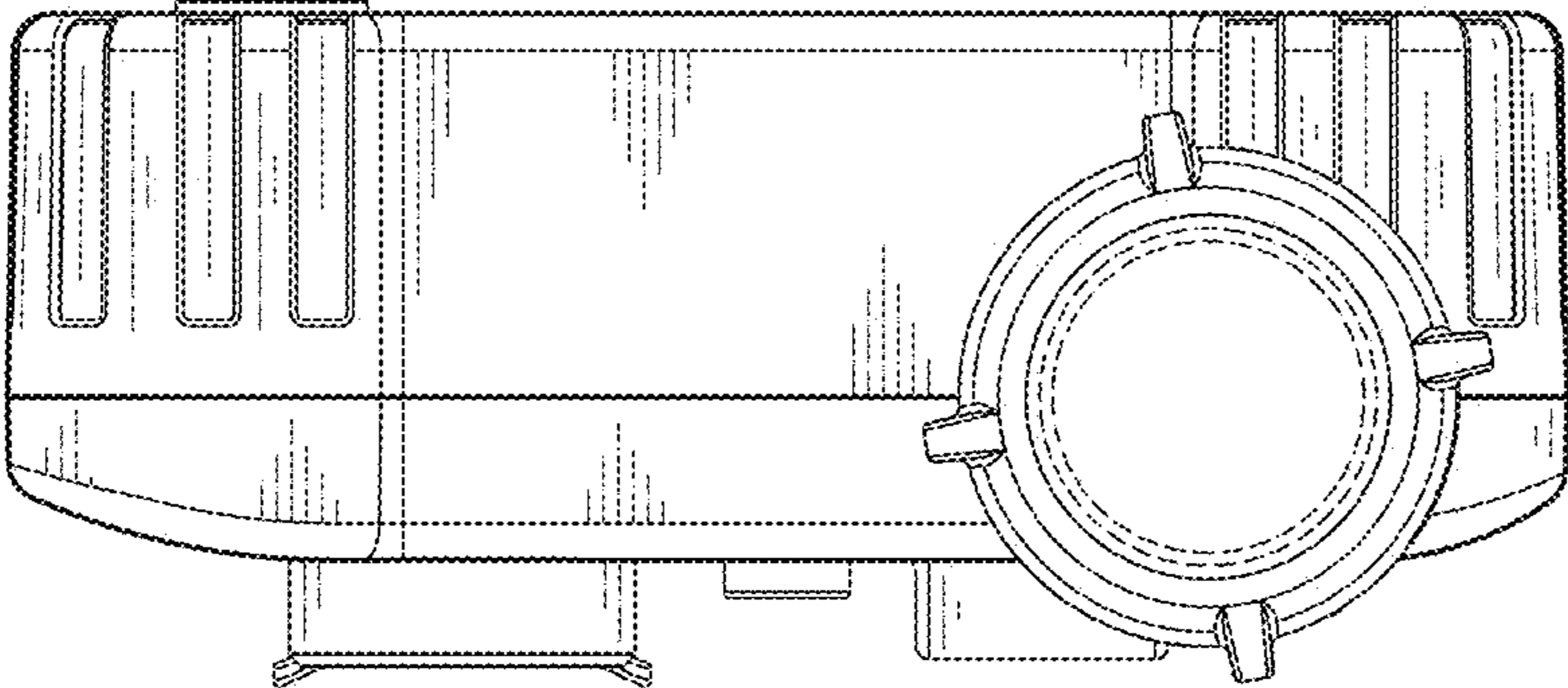


FIG.3

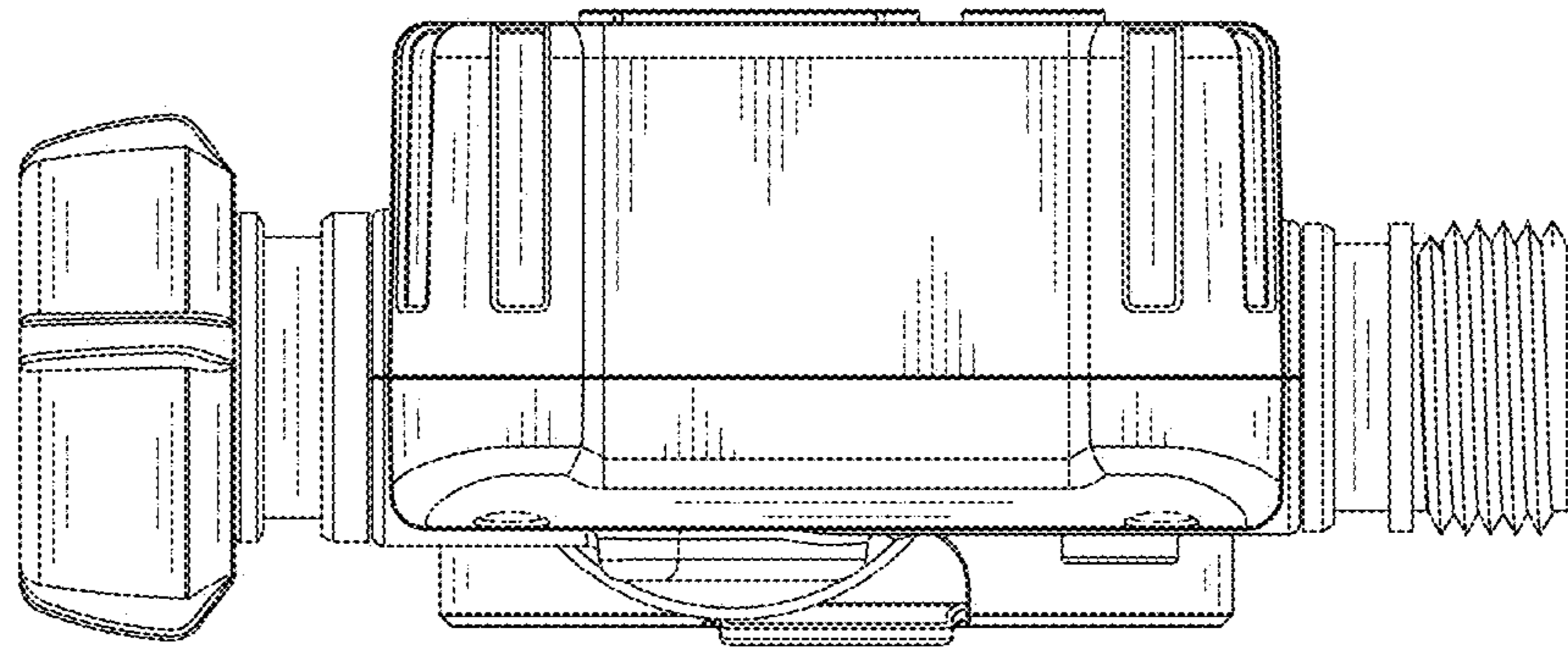


FIG.4

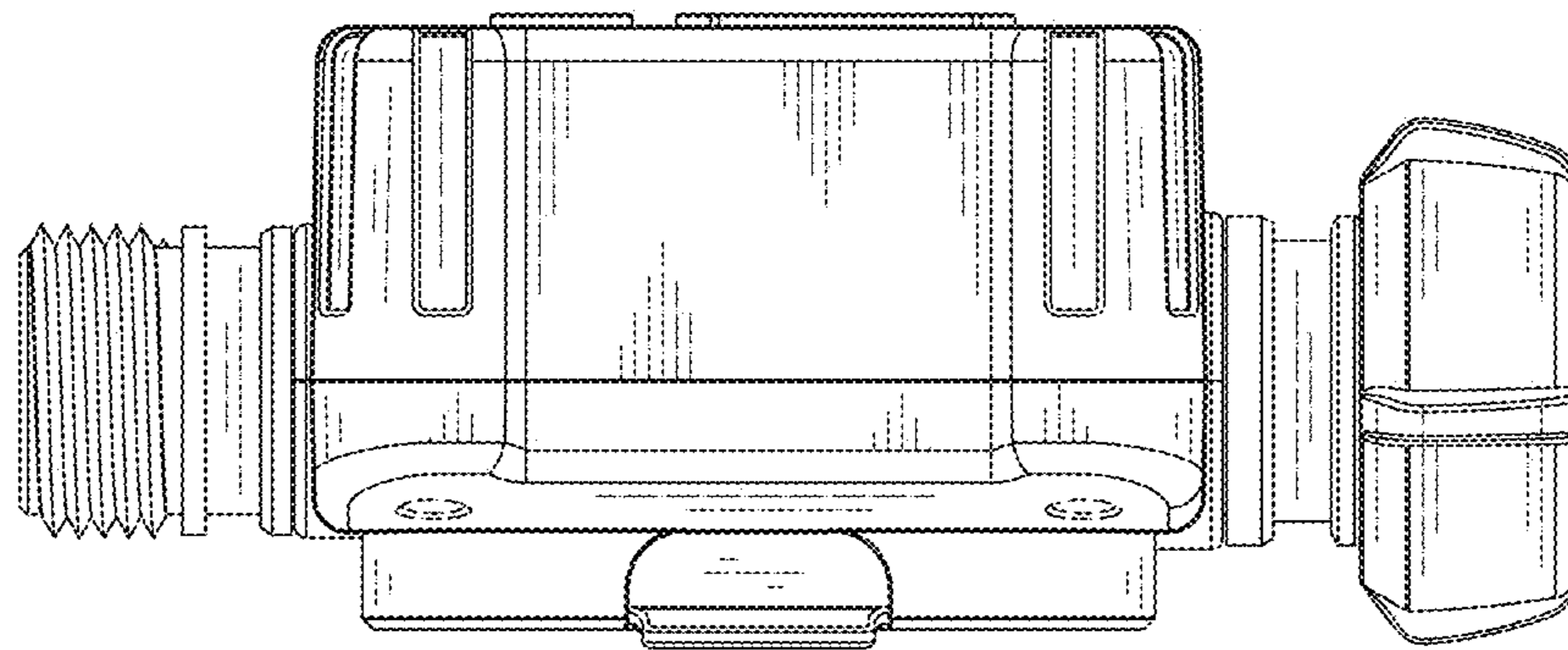


FIG.5

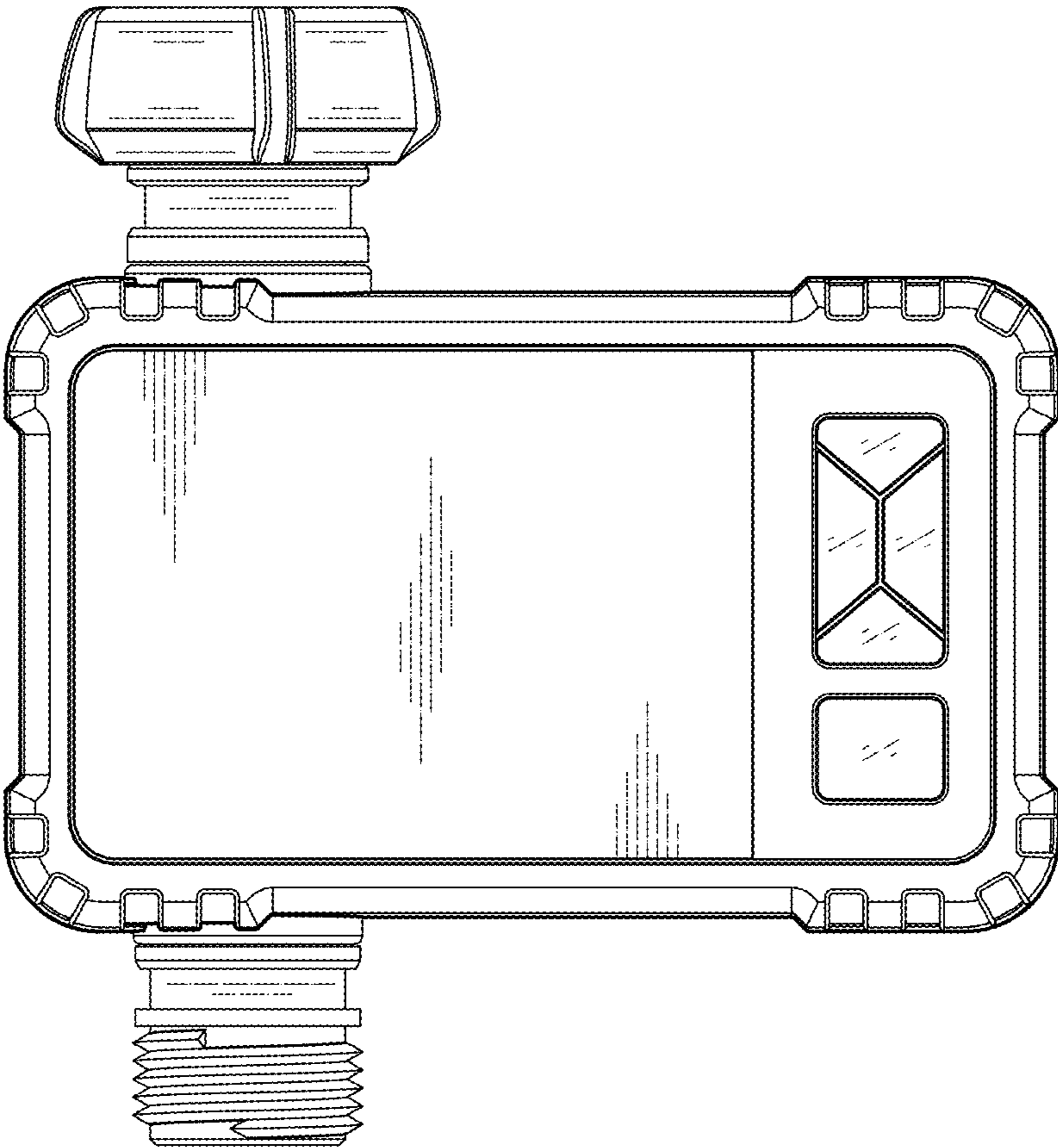


FIG.6

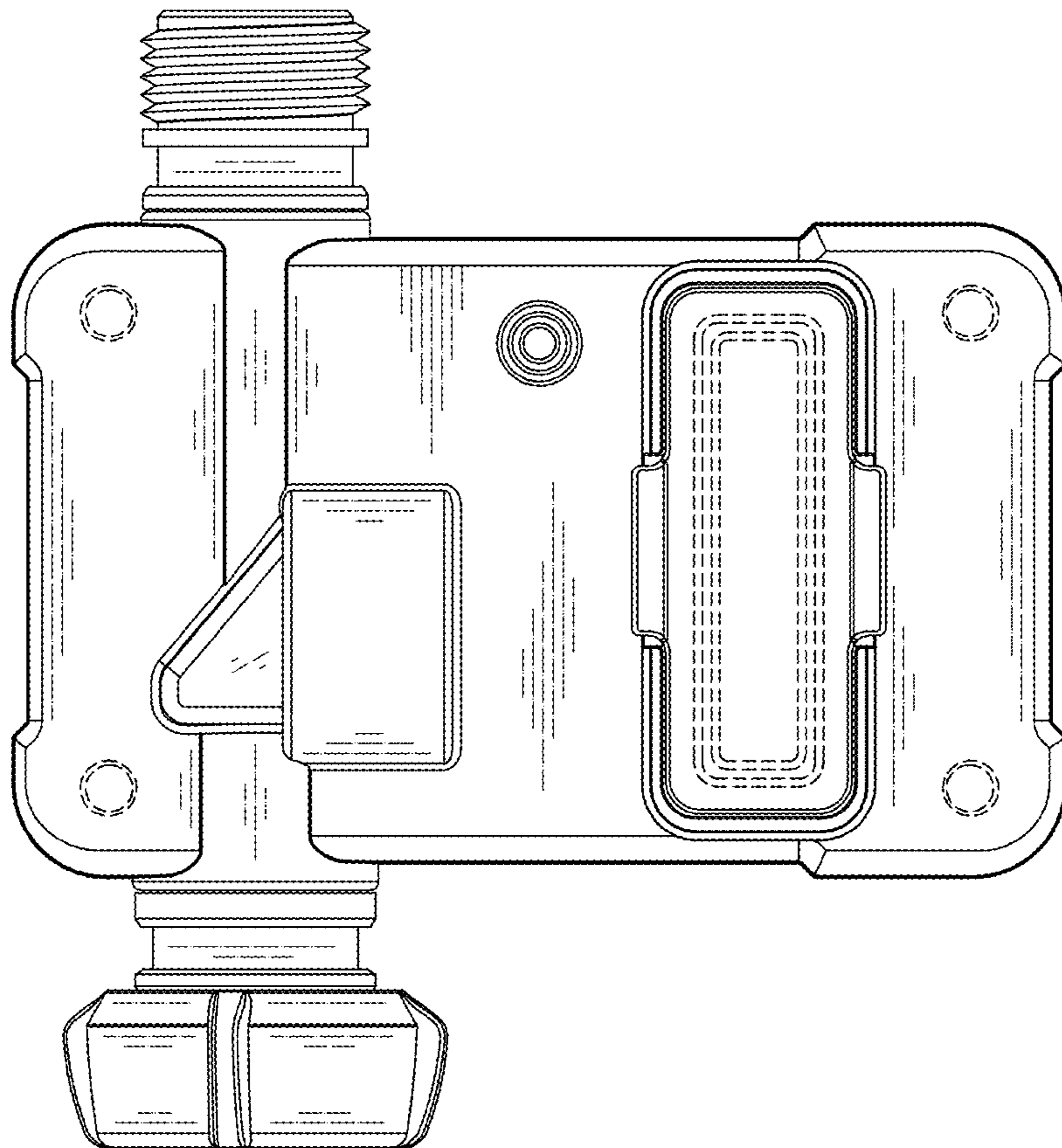


FIG.7

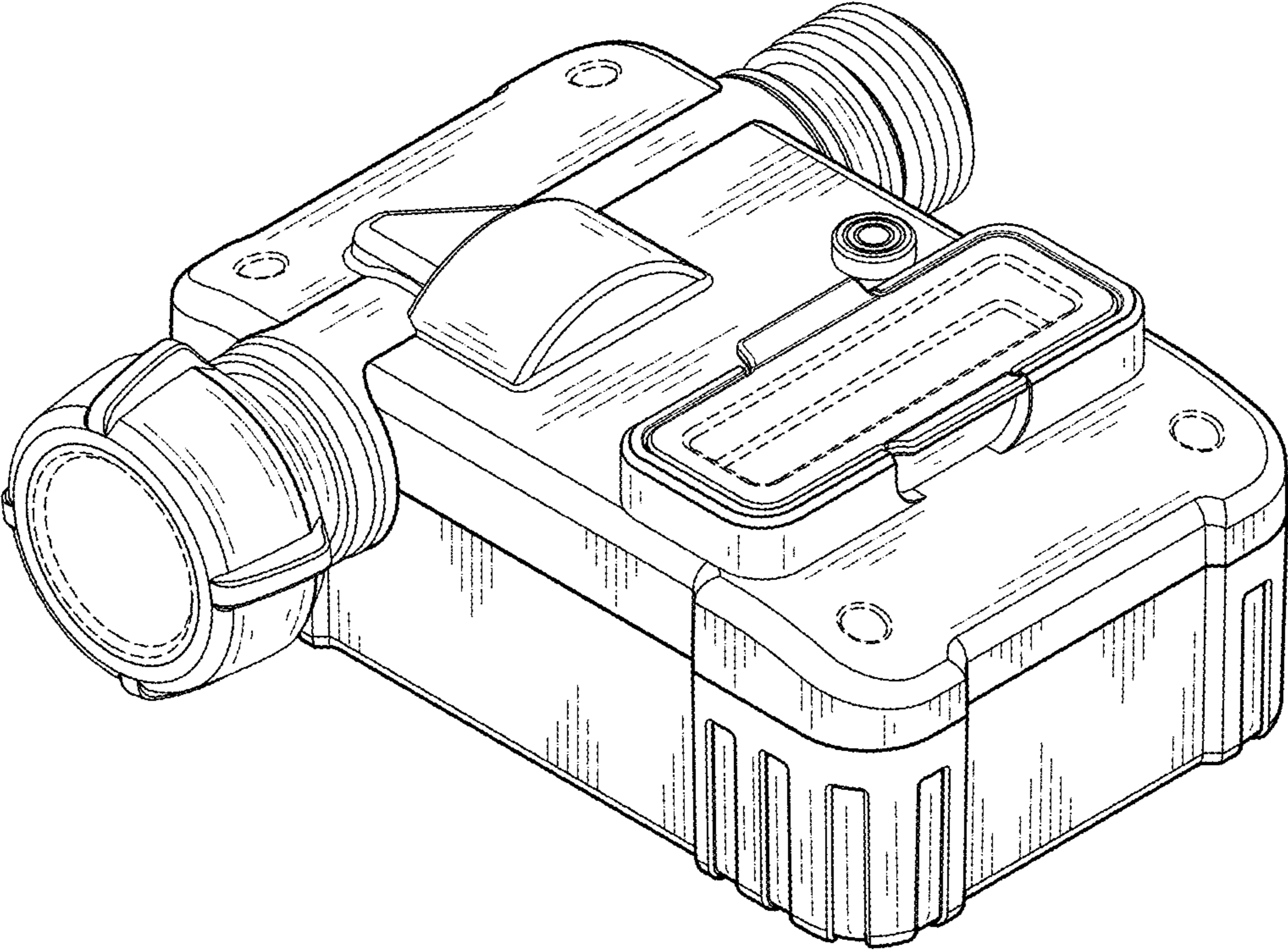


FIG.8